

FURRION

12V Horizontal RV Range Hood

User Manual

Model:

FHO23SACR-BL / FHO23SACR-SS

FHO23SACR-BP / FHO23SACR-SB



* Picture shown here is for reference only.

Thank you for purchasing this Furrion® product. Before operating your new appliance, please read these instructions carefully. This instruction manual contains information for safe use, installation and maintenance of the appliance.

Please keep this instruction manual in a safe place for future reference. This will ensure safe use and reduce the risk of injury. Be sure to pass on this manual to new owners of this appliance.

The manufacturer does not accept responsibility for any damages due to not observing these instructions.

Table of Contents

Table of Contents	2
Important Safety Instructions	3
Installation	4
What's in the Box	4
Electrical Requirements	4
Product Dimensions (Fig. 1)	4
Range Hood Installation	4
Operation	6
Fan Control	6
Light Control	6
Cleaning and Maintenance	6
External Cleaning	6
Filter Cleaning/Replacement	6
Specifications	7

Important Safety Instructions

Warning and important safety instructions appearing in this guide are not meant to cover all possible conditions and situations that may occur. Common sense, caution, and care must be exercised when installing, maintaining, or operating the appliance.

Always contact the manufacturer about problems or conditions you do not understand.

CAUTION

Safety instruction: Failure to observe this instruction can cause fatal or serious injury.

- For general ventilating use only. Do not use to exhaust hazardous or explosive materials or vapors.
- Do not allow insulation, ceiling finishing materials, roofing materials, or other debris to enter the fan housing or ductwork.
Motor failures due to debris are not subject to warranty coverage.

RANGE HOOD SAFETY

Your safety and the safety of others are very important.

We have provided many important safety messages in this manual and your appliance. Always read and obey all safety messages.

This is the safety alert symbol.



This symbol alerts you to potential hazards that can kill or hurt you and others. All safety messages will follow the safety alert symbol and either word "DANGER" or "WARNING".

WARNING

TO REDUCE THE RISK OF FIRE, ELECTRIC SHOCK, OR INJURY TO PERSONS, OBSERVE THE FOLLOWING:

- Do not use this fan with any solid state speed control device.
- Installation work and electrical wiring must be done by qualified person(s) in accordance with all applicable codes and standards, including fire related construction.
- Sufficient air is needed for proper combustion and exhausting of gases through the flue (chimney) of fuel burning equipment to prevent back drafting. Follow the heating equipment manufacturer's guidelines and safety standards such as those published by the National Fire Protection Association (NFPA), The American Society for Heating, Refrigeration and Air Conditioning Engineers (ASHRAE), and local code authorities.
- When cutting into walls or ceilings, do not damage electrical wiring and other hidden utilities.
- Use only metal ductwork. Exhaust air must be ducted to the outside. Do not vent exhaust air into spaces within walls, ceilings, attics, crawl spaces or garages.
- Inadequate repairs may cause serious hazards. For repair service, please contact the service center in your country.

WARNING

TO REDUCE THE RISK OF FIRE, ELECTRIC SHOCK, OR INJURY TO PERSONS, OBSERVE THE FOLLOWING:

- Use this unit only in the manner intended by the manufacturer.
If you have questions, contact the manufacturer.
- Before servicing or cleaning unit, switch power off at the service panel and lock service disconnecting means to prevent power from being switched on accidentally. When the service disconnecting means cannot be locked, securely fasten a prominent warning device, such as a tag, to the service panel.
- People (including children) whose physical, sensory or mental capacities or whose lack of experience or knowledge prevent them from using this product safely should not use it without the supervision or instruction of a responsible person.

WARNING

TO REDUCE THE RISK OF INJURY TO PERSONS IN THE EVENT OF A RANGE TOP GREASE FIRE, OBSERVE THE FOLLOWING:

- **SMOTHER FLAMES** with a close-fitting lid, cookie sheet or metal tray, then turn off the burner.
BE CAREFUL TO PREVENT BURNS.
If the flames do not go out immediately, EVACUATE AND CALL THE FIRE DEPARTMENT.
- **NEVER PICK UP A FLAMING PAN!** You may be burned.
- **DO NOT USE WATER**, including wet dishcloths or towels - a violent steam explosion will result.
- Use an extinguisher only if:
 - You know you have a class ABC extinguisher, and you already know how to operate it.
 - The fire is small and contained in the area where it started.
 - The fire department is being called.
 - You can fight the fire with your back to an exit.

Based on 'Kitchen Fire Safety Tips' published by the NFPA.

WARNING

TO REDUCE THE RISK OF INJURY OF A RANGE HOOD GREASE FIRE:

- Never leave surface units unattended at high settings. Boilovers cause smoking and greasy spillovers that may ignite.
- Heat oils slowly on low or medium settings.
- Always turn hood on when cooking at high heat or when cooking or flambeing food.
- Clean ventilating fans frequently. Grease should not be allowed to accumulate on fan or filter.
- Use proper pan size. Always use cookware appropriate for the size of the surface element.

Save these instructions for future reference!

Installation

What's in the Box

Make sure all the following items are included in the packaging. If any items are damaged or missing, contact your dealer.

RV Range Hood:

- 12V RV Range Hood
- Mounting Screws (4 pieces)
- User Manual
- Warranty Manual

Exterior Wall Vent (Sold Separately)

- Exterior Wall Vent
- Mounting Screws (6 pieces)
- Instruction Manual
- Warranty Leaflet

NOTE: If a Furrion exterior wall vent is purchased: please refer to the user manual IG-FHA00010 for the installation.

The installation should conform to these installation instructions and with the standards for recreational vehicles, NFPA 1192.

i IMPORTANT

Observe all governing codes and ordinances.

It is the installer's responsibility to comply with installation clearances specified on the model/serial/rating plate. The model/serial/rating plate is located inside the range hood; Range hood location should be away from strong draft areas, such as windows, doors, and strong heating vents. Models that are capable of being installed as ducted require charcoal filters.

! WARNING

Installation of this appliance must be made in accordance with the written instructions provided in this manual. No agent, representative or employee of Furrion or other persons has the authority to change, modify or waive any provision of the instructions contained in this manual.

Electrical Requirements

Observe all governing codes and ordinances.

Ensure that the electrical installation is adequate and in conformance with National Electrical Code, ANSI/NFPA 70 (latest edition), or CSA Standards C22.1-94, Canadian Electrical Code, Part 1 and C22.2 No. 0-M91 (latest edition) and local codes and ordinances.

If codes permit and a separate ground wire is used, it is recommended that a qualified electrician determine that the ground path is adequate.

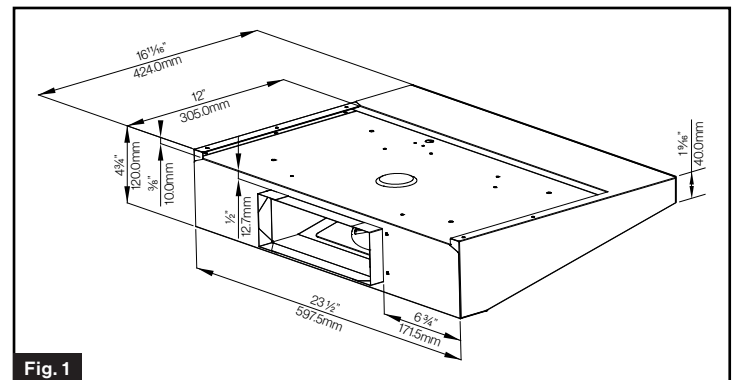
Wire sizes and connections must confirm with the rating of the appliance as specified on the model/serial/rating plate.

The model/serial/rating plate is located inside the range hood. Wire sizes must confirm to the requirements of the National Electrical Code, ANSI/NFPA 70 (latest edition), or CSA Standards C22.1-94, Canadian Electrical Code, Part 1 and C22.2 No. 0-M91 (latest edition) and local codes and ordinances.

Recreational vehicle fan units.

Do not operate any fan with a damaged cord or plug. Discard fan or return to an authorized service facility for examination and/or repair.

Product Dimensions (Fig. 1)



Range Hood Installation

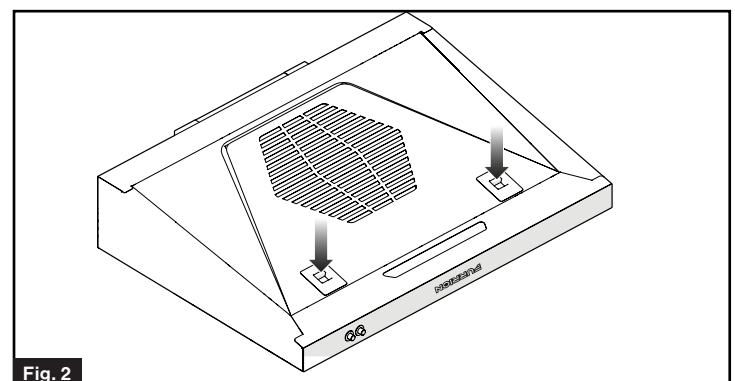
1. Disconnect power.

! WARNING

Electrical Shock Hazard.

- Disconnect power before servicing.
- Replace all parts and panels before operating.
- Failure to do so can result in death or electrical shock.

2. Take out the range hood from box and put on a flat surface with the grill cover facing up.
3. Press the two release tabs on the grill cover to release it from range hood. (Fig. 2)



4. Mark the centerline of range hood on the wall. (Fig 3)

NOTE:

- If using a Furrion range (Model No.: F1S17****/ F1S21****) or a Furrion cooktop (Model No.: FGHQCLDA), the following minimum vertical distance and cabinet depth should apply. (See Fig. 3 and Fig. 4).

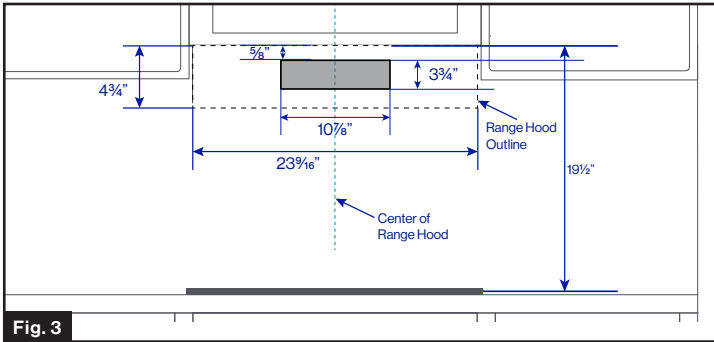


Fig. 3

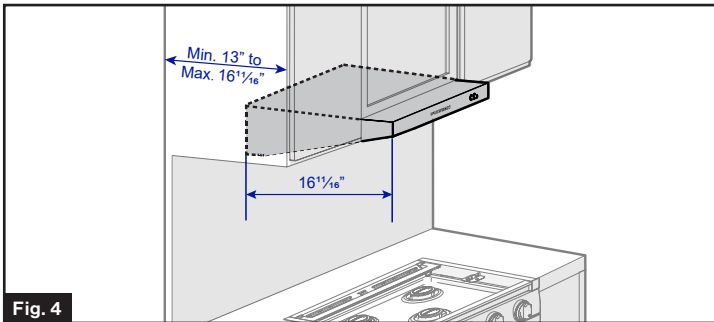


Fig. 4

- For non Furrion branded cooktops and range ovens, refer to Fig. 5 for the installation requirements. Ensure that the installation is performed by a qualified technician and is in compliance with NFPA 1192 section 5.6.6.5.

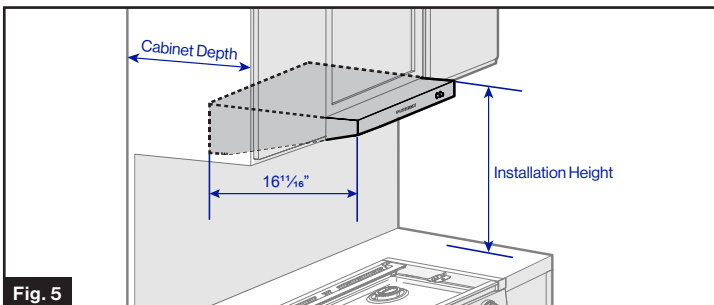


Fig. 5

- For cabinet depths of 13" to 14 3/8": installation height minimum is 19 1/2".
- For cabinet depths of 14 5/16" to 16 1/16": installation height minimum is 24".
- Hood shall be not less than the width of the range and shall be centered over the range and cover the entire bottom of the material to be protected.

5. Mark and cutout a through-hole on the wall according to the dimensions outlined in Fig. 3.

6. Connect the vent hood white wire negative (-) to the incoming power supply negative (-) wire and the vent hood black wire positive (+) to the incoming power supply positive (+) wire. (Fig 6)

NOTE: Make all electrical supply connections in accordance with local and/or applicable codes.

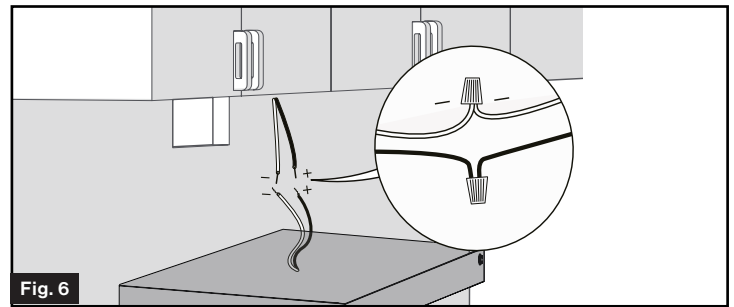


Fig. 6

7. Insert vent collar at back of the range hood into the cutout area and fix the range hood onto the top cabinet with the four screws provided. (Fig. 7 and Fig. 8)

NOTE: DO NOT over tighten the screws.

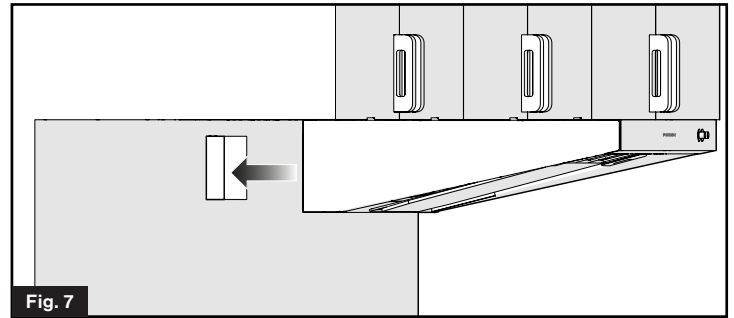


Fig. 7

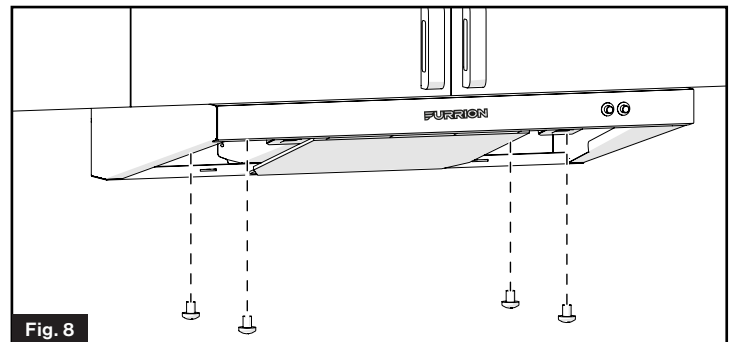


Fig. 8

8. Verify that the blower housing and ductwork are free of debris and fan blades spin freely.

9. Replace the grill cover to the range hood and press the release tabs until you hear a click. (Fig. 9) The grill cover is securely attached to the range hood. (Fig. 10)

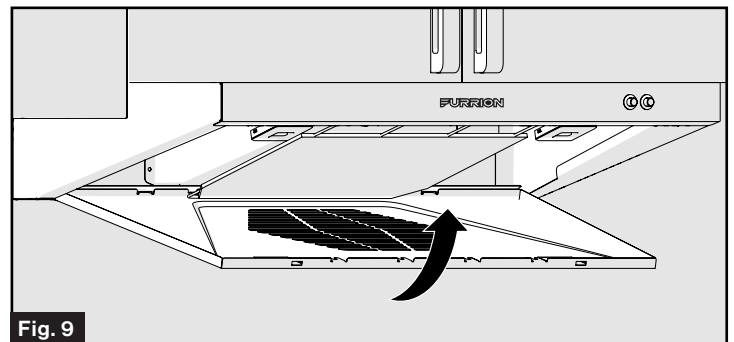


Fig. 9

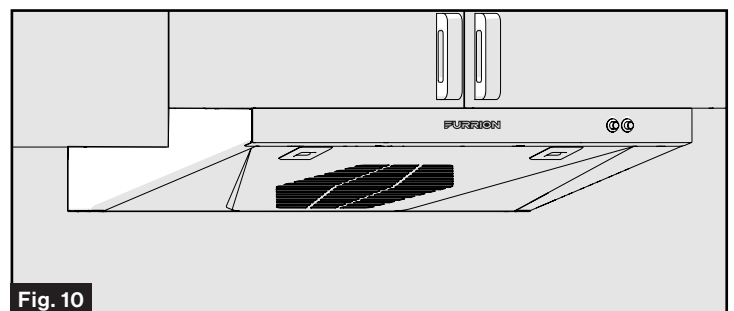
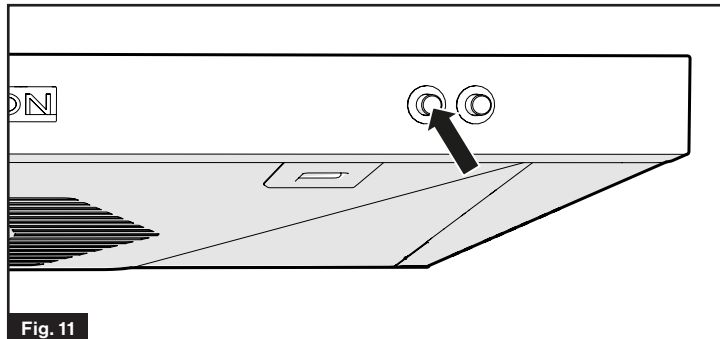


Fig. 10

Operation

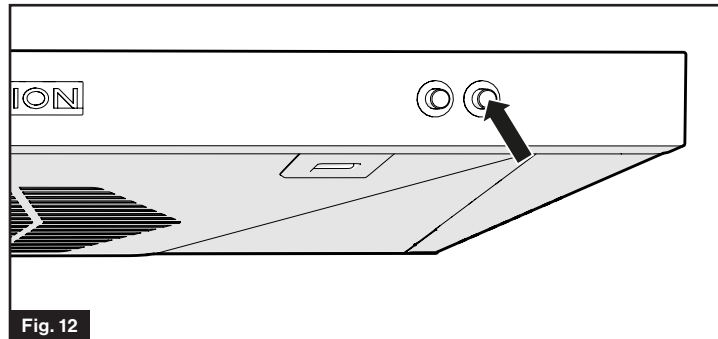
Fan Control

Press the fan button once to turn on the fan, press twice to turn off. (Fig. 11)



Light Control

Press the light button once to turn on the light, press twice to turn off. (Fig. 12)



Cleaning and Maintenance

⚠ WARNING

Before carrying out any maintenance or cleaning isolate the range hood from the mains supply. The cooker hood must be kept clean, as a build up of grease or fat can be a fire hazard.

External Cleaning

Wipe the range hood frequently with warm soapy water using a mild detergent.

NOTE: Never use scouring pads or abrasive cleaners. Never use excessive amounts of water when cleaning particularly around the control panel.

Filter Cleaning/Replacement

⚠ WARNING

This appliance can be a possible fire hazard if the grease and charcoal filters are not cleaned and replaced as recommended.

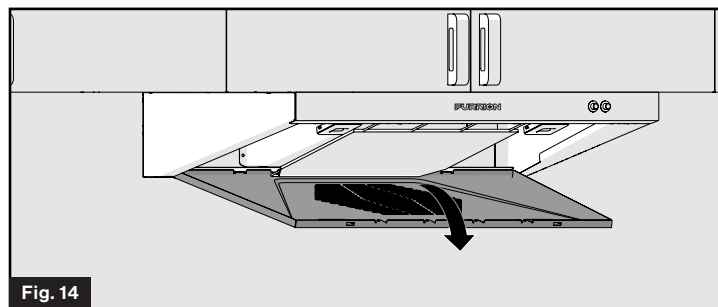
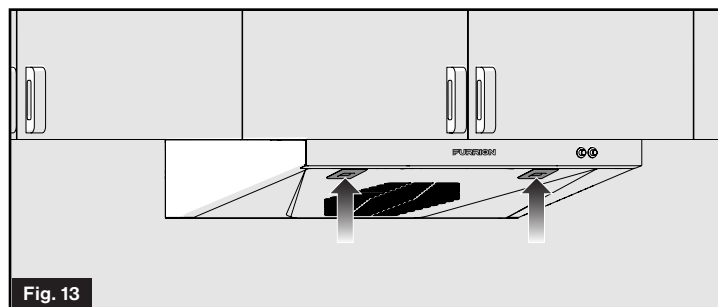
Metal Holder

The metal holder to fix charcoal filter, and should be cleaned approximately once every month or more often if the range hood is used for more than 3 hours a day. Do not use the dishwasher to wash.

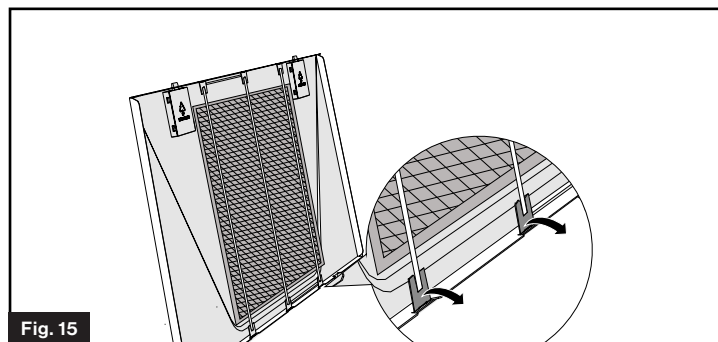
To remove the metal holder:

1. To open the filter panel, press in on the two locking latches and pull downward to remove the filter panel from the vent hood.

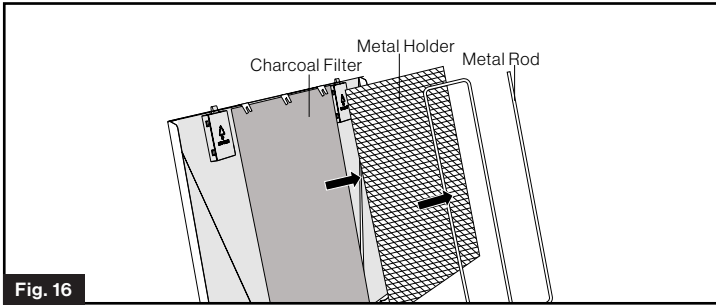
2. Lift the filter panel from the rear latches and place on a protected surface. (Fig. 13 and Fig. 14)



3. To remove the filter, lift up on the filter rod tabs (6 total) and remove the rod from the filter panel. (Fig. 15)



- Separate the metal rod, the metal holder and the charcoal filter from the cover. (Fig. 16)



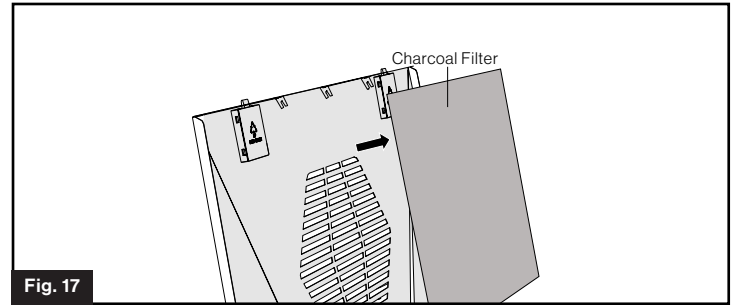
- Dip the metal holder into mild soapy water and wash by hand. (Do not use the dishwasher to wash.)
- Allow the metal holder to dry completely before replacing.

Charcoal Filter

This appliance is designed with a charcoal filter equipped to absorb smells and unwanted odors. The charcoal filter cannot be cleaned, we recommend they should be replaced approximately every three months or

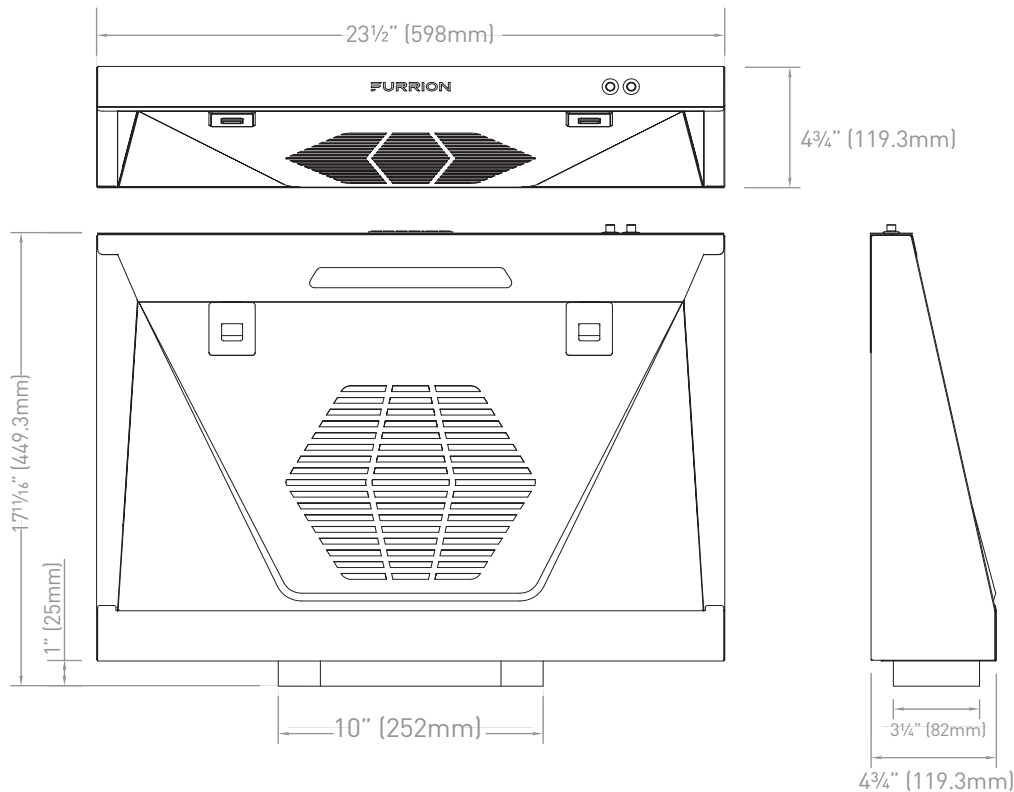
more often if the range hood is used for more than three hours per day. To replace the charcoal filter:

- Repeat steps 1 to 3 in section 'Metal Holder' to remove the metal rods and metal holder first.
- Remove the saturated charcoal filter and replace with a new one. (Fig. 17)



- The replacement charcoal filter can be obtained from your local service center.
- Repeat steps 4-1 in 'Metal Holder' to replace the filter panel. See figure 15 for the replacement process of the filter and metal holder.

Specifications



Specifications

Connection Voltage	12 VDC
Power Consumption	1.1 A
Lighting Power Consumption	0.95 W
Overall Dimension (W x H x D)	$23\frac{1}{2}$ " x $17\frac{1}{16}$ " x $4\frac{3}{4}$ " (598 x 449.3 x 119.3 mm)
Vent Collar Dimensions (W x H x D)	10" x 1" x $3\frac{1}{4}$ " (252 x 25 x 82 mm)



The contents of this manual are proprietary and copyright protected by Lippert. Lippert prohibits the copying or dissemination of portions of this manual unless prior written consent for an authorized Lippert representation has been provided. Any unauthorized use shall void any applicable warranty. The information contained in this manual is subject to change without notice and at the sole discretion of Lippert. Revised editions are available for free download from lippert.com.

Please recycle all obsolete materials.

For all concerns or questions, please contact Lippert
PhL 432-LIPPert (432-547-7378) | Web: lippert.com | E-mail: customerservice@lci1.com