

ROOFTOP AIR CONDITIONER WITH ELECTRONIC CONTROL CLIMATISATION DE TOIT AVEC COMMANDE ÉLECTRONIQUE AIRE ACONDICIONADO PARA TECHO CON CONTROL ELECTRÓNICO

MODEL/MODÈLE/MODELO : FACR13SA-**, FACR14SA-**, FACR15SA-**
FACR13SA-**-AM, FACR14SA-**-AM, FACR15SA-**-AM, FACT12CA-**
FACT12CA-**-OEM

USER MANUAL/MANUEL DE L'UTILISATEUR/ MANUAL DE USUARIO



- * Picture shown here is for reference only.
- * L'image présentée ici n'est qu'une référence
- * La imagen que se muestra es solo como referencia.

Furrion Model No.	Lippert No.
FACR13HESA-PS	2021132276
FACR13HESA-BL	2021130013
FACR13HESA-PS-AM	2021132277
FACR13HESA-BL-AM	2021132275
FACR14SA-PS	2021123613
FACR14SA-BL	2021123563
FACR14SA-PS-AM	2021123705
FACR14SA-BL-AM	2021123707
FACR15SA-PS	2021123799

Furrion Model No.	Lippert No.
FACR15SA-BL	2021123630
FACR15SA-PS-AM	2021123793
FACR15SA-BL-AM	2021123708
FACR15HESA-PS	2021130009
FACR15HESA-BL	2021130010
FACR15HESA-PS-AM	2021130011
FACR15HESA-BL-AM	2021130008
FACT12CA-PS	2021123541
FACT12CA-PS-OEM	2022007391

Thank you for purchasing this Furrion® product. Before operating your new appliance, please read these instructions carefully. This instruction manual contains information for safe use, installation and maintenance of the appliance.

Please keep this instruction manual in a safe place for future reference. This will ensure safe use and reduce the risk of injury. Be sure to pass on this manual to new owners of this appliance.

The manufacturer does not accept responsibility for any damages due to disregarding these instructions.

CONTENTS

EXPLANATION OF SYMBOLS.....	2
IMPORTANT SAFETY INSTRUCTIONS.....	2
Handling the device.....	2
Handling Electrical Cables.....	3
BEFORE INSTALLING	3
What's in the Box.....	3
Choosing Proper Location for the Air Conditioner	3
Roof Preparation.....	4
Air Distribution Duct Sizing and Design	5
Air Distribution System Installation.....	5
Preparing Wire Connections	5
INSTALLATION.....	6
Installing the Rooftop Unit.....	6
Installing the Wall Thermostat	6
Installing the Air Distribution Box.....	6
DIP Switch Settings.....	8
Wire Connection - Digital Furrion Wall Controller/Thermostat.....	9
Final Installation.....	10
OPERATION	11
Ducted Systems	11
Non-Ducted System	11
Thermostat Use.....	11
CLEANING AND MAINTENANCE	12
TROUBLESHOOTING	12
SPECIFICATIONS.....	13
WIRING DIAGRAM.....	13

EXPLANATION OF SYMBOLS

This manual has safety information and instructions to help you eliminate or reduce the risk of accidents and injuries. Always respect all safety warnings identified with these symbols. A signal word will identify safety messages and property damage messages, and will indicate the degree or level of hazard seriousness.

DANGER

Indicates an imminently hazardous situation which, if not avoided, will result in death or serious injury.

WARNING

Indicates a potentially hazardous situation which, if not avoided, could result in death or serious injury.

CAUTION

Indicates a potentially hazardous situation which, if not avoided, may result in minor or moderate personal injury, or property damage.

English

IMPORTANT SAFETY INSTRUCTIONS

This manual has safety information and instructions to help users eliminate or reduce the risk of accidents and injuries. Please read this instruction manual carefully before installation and start-up, and store it in a safe place for future reference. If you pass on the device to another person, hand over this instruction manual along with it.

The manufacturer accepts no liability for damage in the following cases:

- Faulty assembly or connection
- Damage to the product resulting from mechanical influences and excess voltage
- Alterations to the product without express permission from the manufacturer
- Use for purposes other than those described in the operating manual.

The following basic safety information should be heeded when using electrical devices to protect against:

- Electric shock
- Fire hazards
- Injury

All Furrion product referenced in this manual is to be installed in accordance with local and national codes, including the latest editions of the following standards:

USA:

- NFPA 1192
- NFPA 70

Canada:

- C22.1
- CSA Z240

Handling the device

WARNING

- Installation and repair of the rooftop air conditioner must only be carried out by qualified personnel who are familiar with the risks involved and the relevant regulations. Inadequate repairs may cause serious hazards.
- Electrical devices are not toys. Keep electrical devices out of reach of children or elderly persons. Do not allow them to use electrical devices without supervision.
- Prevent inexperienced people from using the device without supervision.
- Do not undo the upper cover of the rooftop air conditioner in the event of a fire. Use approved extinguishing agents instead. Do not use water to extinguish fires.

CAUTION

- The rooftop air conditioner must be installed securely so that it cannot fall down.
- Only operate the rooftop air conditioner if you are certain that the housing and the cables are not damaged.
- Do not use the rooftop air conditioner near flammable fluids or in closed rooms.
- Make sure no combustible objects are stored or installed near the air outlet. A distance of at least 20" must be kept.
- Do not reach into air outlets or insert any foreign objects into the device.
- Only use the device as intended.
- Do not make any alterations or conversions to the device.
- If faults occur in the refrigerant circuit, the system must be checked by a certified service technician and repaired properly. The refrigerant must never be released into the air.

Handling Electrical Cables

⚠ WARNING

The electrical power supply must only be connected by a qualified electrician.

⚠ CAUTION

- Refer to NEC (National Electric Code) for proper sizing of wire gauge (awg) based on cable length and overcurrent protection rating that is supplying power to the air conditioner.
- See rooftop unit nameplate for proper overcurrent protection sizing.
- Attach and lay the cables so that they cannot be tripped over or damaged.

BEFORE INSTALLING

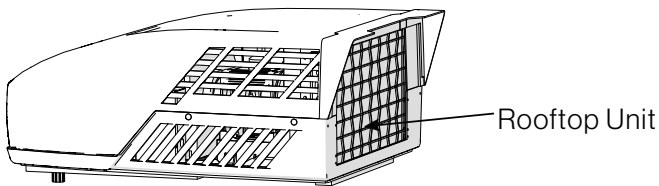
Read this installation manual completely before installing the rooftop air conditioner.

The following tips and instructions must be observed while installing the rooftop air conditioner.

What's in the Box

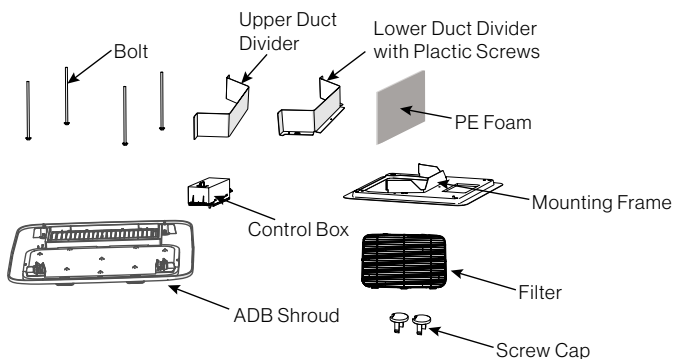
Open and remove the components from carton. Make sure you have all the following items included in the packaging, if any item is missing, contact your dealer.

Rooftop Air Conditioner (sold separately):



- Rooftop Unit x 1
- Warranty Manual x 1

Air Distributor Box:



- Upper Duct Divider x 1
- Lower Duct Divider x 1
- Bolt x 4
- Mounting Frame x 1
- Control Box (sold separately) x 1
- Air Distribution Box (ADB) Shroud x 1
- Filter x 1
- PE Foam x 1

- Only a qualified electrician should connect the rooftop air conditioner to electrical power.
- Do not lay loose or bent cables next to electrically conductive materials.
- Do not pull on the cables.
- Use cable ducts to lay cables through walls with sharp edges.
- Refer to rooftop unit nameplate and NEC for proper power supply rating.

- Self-tapping Screws x 6
- Screw Cap x 2
- Instruction Manual x 1
- Warranty Manual x 1

Choosing Proper Location for the Air Conditioner

IMPORTANT: The roof must be designed to support the weight of the rooftop unit and the weight of 2 installers standing on the roof.

There are two ways of installing the rooftop air conditioner:

1. Using the existing roof vent opening in the vehicle roof.
2. Making a new opening. In this case the opening should be reinforced by an appropriate frame as required.

Existing Roof Vent Opening

The air conditioner is designed to fit over an existing 14" roof vent opening.

New Opening

When no roof vent is available or another location is desired, the following is recommended:

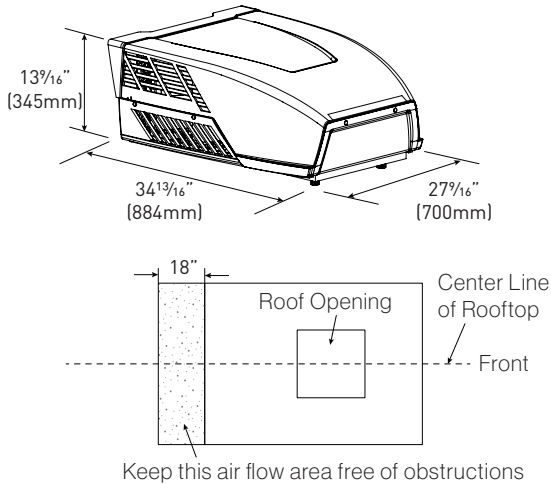
- For one unit installation - the air conditioner should be mounted slightly forward of center (front to back) and centered from side to side.
- For two unit installations, install one air conditioner one third from the front of the RV and the other air conditioner two thirds from the front of the RV, aligned in the center.

It is preferred that the air conditioner be installed on a relatively flat and horizontal roof section measured when the RV is parked on a level surface.

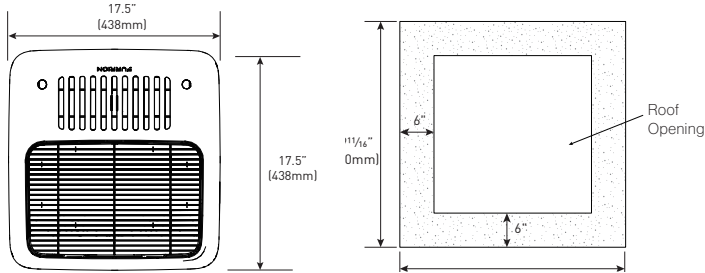
NOTE: A 15° slant to either side or front to back is acceptable for all units. If the roof exceeds 15° please use an exterior leveling shim to make air conditioner level.

After the Location Has Been Selected:

1. Check for obstructions in the area where the air conditioner will be installed.



2. Check the inside of the RV for return air kit obstructions. (i.e. door openings, room dividers, curtains, ceiling fixtures, etc.) Allow 6" (152mm) space from the opening to account for any potential return air kit obstructions.



Roof Preparation

Opening Requirements - Before preparing the ceiling opening, decide on the type of system options. Read all of the following instructions before beginning the installation.

⚠ WARNING

Fire/Electric Shock Hazard

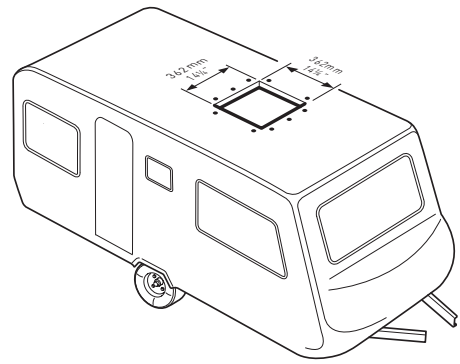
- Make sure there are no obstacles inside the RV roof, floor and walls, such as wires and pipes.
- Shut off the gas supply and disconnect the 115VAC power from the RV before drilling or cutting into the RV. Failure to obey these warnings could result in death or serious injury.

Roof Thickness

The installation of air conditioner suits for roof thickness from 3.5" (90mm) to 6" (152mm). For other thickness, please contact Furrion or Furrion authorized service agent.

Installing in an Existing Opening

1. Unscrew and remove the roof vent.
2. Remove all caulking compound around the opening.
3. If the opening exceeds 14 1/4" x 14 1/4" (+1/2"), it will be necessary to resize the opening to 14 1/4" x 14 1/4" (+1/2"). If the opening is less than 14 1/4" x 14 1/4" (+1/2"), it must be enlarged.

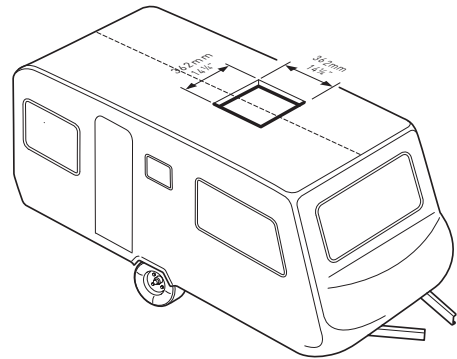


Making a New Opening

If a roof vent opening will not be used, a 14 1/4" x 14 1/4" (+1/2") (362mm x 362mm) opening must be cut through the roof and ceiling of the RV. This opening must be located between the roof reinforcing members.

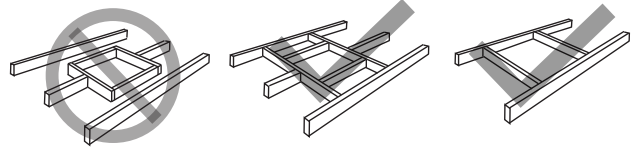
The 14 1/4" x 14 1/4" (+1/2") opening is part of the return air system of the air conditioner and must be finished in accordance with NFPA Standard 501C Section 2.7.2.

1. Mark a 14 1/4" x 14 1/4" (+1/2") square on the roof and carefully cut an opening.



2. Using the roof opening as a guide, cut a matching hole in the ceiling.

NOTE: Maintain structural integrity. Otherwise damage to product and/or RV could occur. Always observe the following guidelines while structuring the opening.

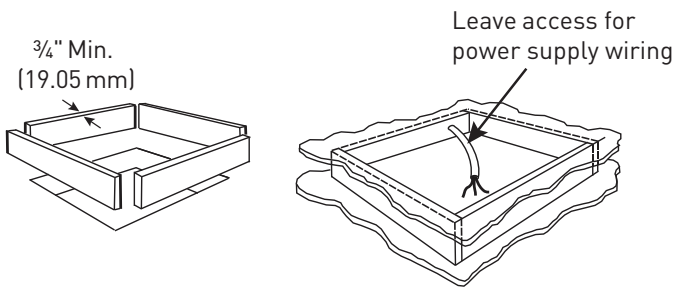


Do not cut roof structure or rafters

Good: rafters supported by cross beams

Good: location between roof rafters

3. The opening created must be framed to provide adequate support and prevent air from being drawn from the roof cavity.
4. Lumber 3/4" or more in thickness must be used. Remember to provide an entrance hole for power supplies, wall thermostat and furnace wiring for connections. Leave 15" (381mm) minimum at the front of the opening.



Air Distribution Duct Sizing and Design

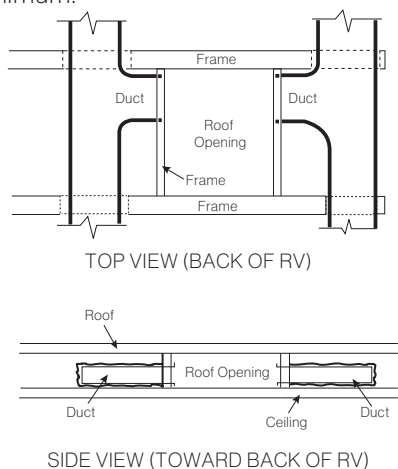
The installer of this system must design the air distribution system for their particular application.

NOTE: Make sure ductwork will NOT bend or collapse during and after installation, and that it is correctly insulated and sealed. Otherwise, damage to roof structure and ceiling could occur.

The following requirements must be met for properly operate the unit:

Roof Cavity Depth	3.5"-6" (89mm-152mm)	
Duct Cross Sectional Area	21 Sq. In. Min.	
Duct Size	Depth	1½" Min. - 2½" Max. (38mm Min. - 63.5mm Max.)
	Width	7" Min. - 10" Max. (178mm Min. - 254mm Max.)
	Total Duct Length	15Ft. Min. - 40Ft. Max. (4.5m - 13m)
	Duct Length (short run)	1/3 Total Duct Length
Register Requirements per A/C Unit	Number Required	4 Min. - 8 Max.
	Supply Register Free Air Area	14 Sq. In. (90 sq. cm)
	Return Register Free Air Area	40 Sq. In. (258 sq. cm)
	Distance From Duct End	5" Min. - 8" Max. (127mm Min. - 203mm Max.)
	Distance From Elbow	15" (381mm)
Total System Static Air Pressure	Blower at High Speed, Filter & Grille In Place	0.55 - 1.10 In. W.C.

- Properly insulate and seal all discharge air ducts to prevent condensation from forming on their surfaces or adjacent surfaces during operation of the unit. This insulation must be R-7 minimum.



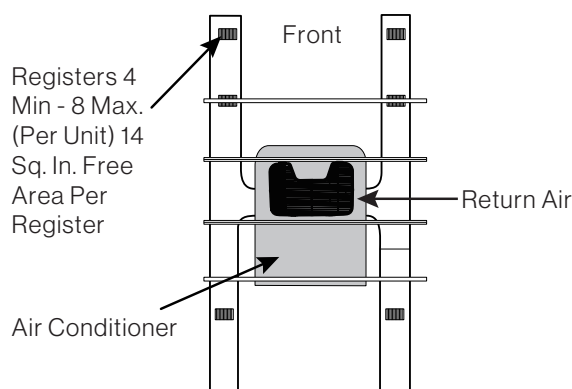
- Return air openings must have 80 square inches (516 square centimeters) minimum free area including the filter.
- Return air to the unit must be filtered to prevent dirt accumulation on the unit cooling surface.

Air Distribution System Installation

It is the responsibility of the installer to review each RV floor plan to determine the following items in conjunction with "Air Distribution Duct Sizing and Design" section

NOTE: Alternate configurations and methods may be used which will allow the unit to operate properly, however, these alternate configurations and methods MUST be approved by Furrion in writing.

- Duct size
- Duct layout
- Register size
- Register location
- Thermostat location
- Indoor temperature sensor location (if applicable)



Preparing Wire Connections

Each rooftop air conditioner opening must be prepared with proper wiring to connect the ceiling controller of the air conditioner to the 115VAC and 12VDC supply voltage, wall thermostat and furnace switch.

NOTE: The wire connections need to be positioned in the forward facing 1/4 section of the opening.

⚠ DANGER

Electrical Shock Hazard

- Disconnect power before servicing. Failure to obey this warning could result in death or serious injury.
- Provide grounding in compliance with all applicable electrical codes. Failure to obey this warning could result in death or serious injury.

115VAC Supply

- Prepare a dedicated 20 amp rated circuit for each air conditioner unit, protected with a time delay fuse or circuit breaker.

NOTE: With multiple air conditioners on a 50 amp service, it is best to balance between the line voltage legs.
- Extend circuit with a 12AWG 2-wire with ground to the roof opening.

NOTE: The wire gauge is generally acceptable per NEC code, refer to rooftop unit nameplate and applicable code for proper sizing.
- Protect the wire where it passes through any rough

surfaces or openings.

4. Terminate with at least 15" (381mm) of supply wire extending out of the roof opening. This ensures an easy connection at the control box.

12VDC Supply

1. Prepare a 15 amp max protected circuit to supply power to all air conditioner units.
NOTE: The branch circuit can be dedicated or shared with other utilization equipment.
2. Extend circuit with a 14AWG 2-wire, (12V+, 12V-) to each roof opening.
3. Protect the wire where it passes through any rough surfaces or openings.
4. Terminate with at least 15" (381mm) of supply wire extending out of the roof opening. This ensures an easy connection at the control box.

Wall Controller Connection (Single and Multizone Thermostat)

1. Prepare 4 wires to connect between the ceiling controller (roof opening) and wall controller/thermostat (wall opening).
NOTE: 18AWG max should be used, Furrion recommends using a standard thermostat wire with at least 4-wires.
2. Terminate with at least 15" (381mm) of wire end for easy connection.
3. For Multizone installations, prepare additional wiring of the same type to connect between each roof opening.

Furnace Switch (Optional)

1. If required to operate the furnace using the air conditioner wall controller/ thermostat, prepare 2-wires in the roof opening to connect the desired ceiling control zone with the furnace's thermostat circuit.
NOTE: This serves as a 12V+ line, that becomes hot only when the ceiling controller closes the furnace switch to turn the furnace on.
2. Terminate with at least 15" (381mm) of wire at each end for easy connection.

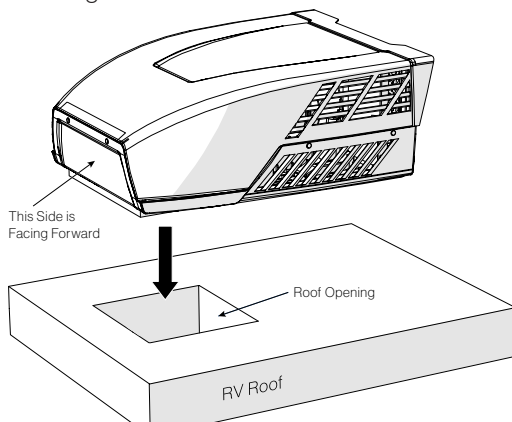
INSTALLATION

Installing the Rooftop Unit

⚠ CAUTION

- The rooftop unit weighs approximately 100 pounds (45 kg). To prevent back injury, use a mechanical hoist when lifting or moving the unit. Failure to obey this warning could result in injury.
- Do not slide unit. It may damage the gasket at the bottom of the rooftop unit and cause leakage.
- Do not grasp the ventilation slots to lift the rooftop unit up.

Hold the bottom of the unit, lift and position the rooftop unit into the prepared opening using the gasket at the bottom of the rooftop unit as a guide.



This completes the outside installation of the rooftop unit. Minor adjustments can be done from inside of the RV if required.

Installing the Wall Thermostat

Furrion provides 2 types of wall thermostats (sold separately) in different functionalities:

- Single zone wall thermostat
- Multi zone wall thermostat

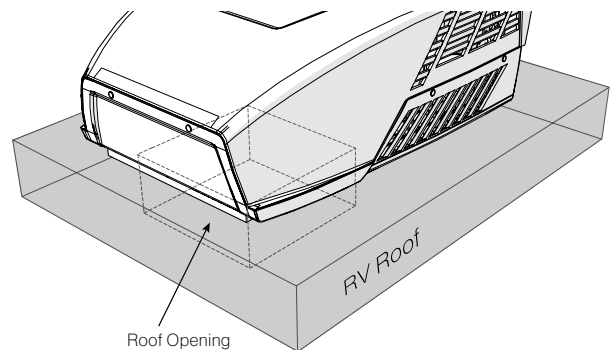
Based on the wall thermostat version you selected. Please refer to the separate instruction manual on how to install the wall thermostat to the RV.

Installing the Air Distribution Box

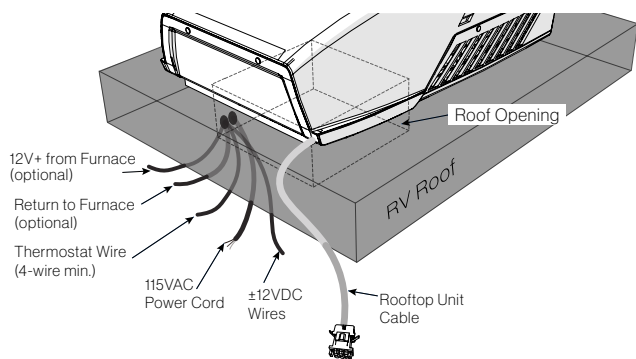
NOTE: The installation of the air distribution box is same for both ducted and non-ducted structures.

The rooftop unit is fixed on the RV roof using 4 long bolts through the mounting frame from the interior of the RV ceiling.

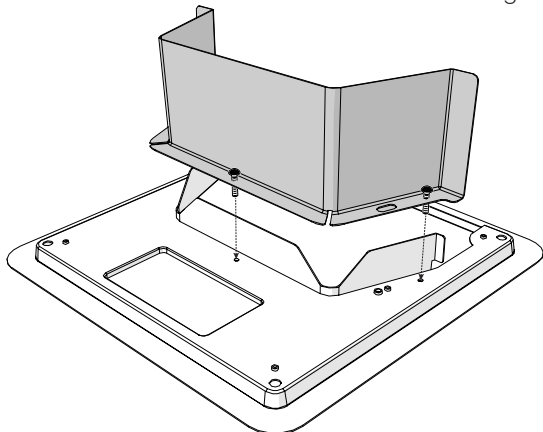
1. Check the gasket alignment of the rooftop unit inside the RV over the roof opening and adjust as necessary by lifting and moving slightly.



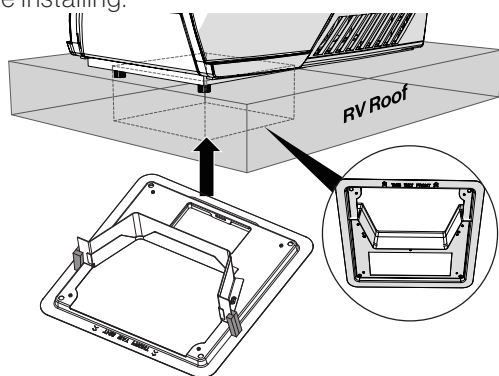
2. Reach up into the return air opening and pull down the rooftop unit electric cord. Ensure all terminated wire ends specified in "Preparing Wire Connections" section are accessible.



3. Assemble the lower duct divider to the mounting frame.

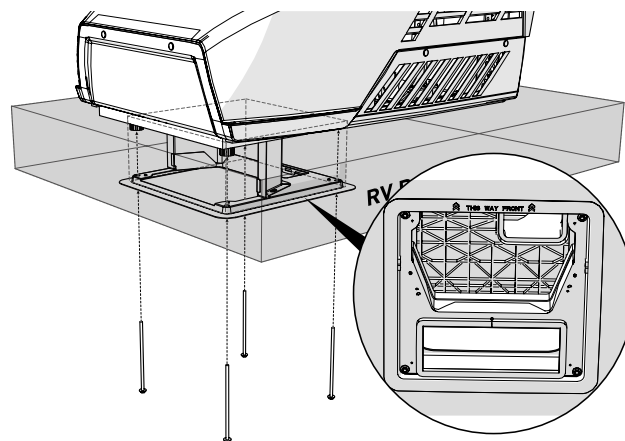


4. Install the assembled mounting frame and the lower duct divider into the rooftop opening. Make sure the **"THIS WAY FRONT"** mark is facing front (the direction of the vehicle) while installing.

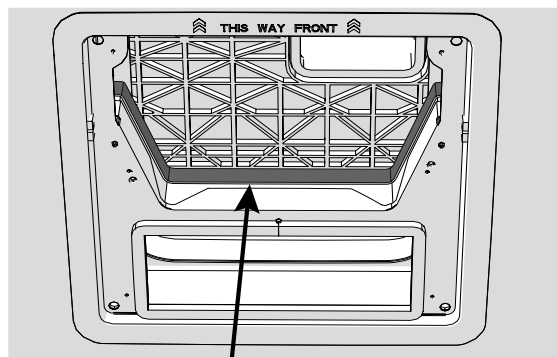


5. Fix the assembled mounting frame and lower duct divider into the rooftop unit using 4 bolts provided. Evenly tighten the four bolts to a torque of 40 to 50 inch pounds. This will compress the roof gasket to approximately $\frac{1}{2}$ ".

NOTE: If bolts are left loose there may not be an adequate roof seal or if over tightened, damage may occur to the rooftop base or mounting frame.



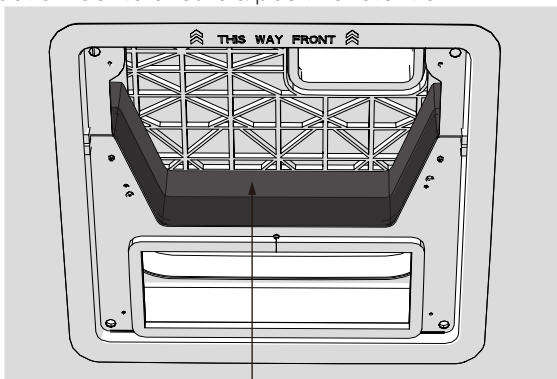
6. Remove the film off the double sided sticky tape found on the top inner side of the lower duct divider.



Peel off the film

7. Stick the upper duct divider into the assembled mounting frame.

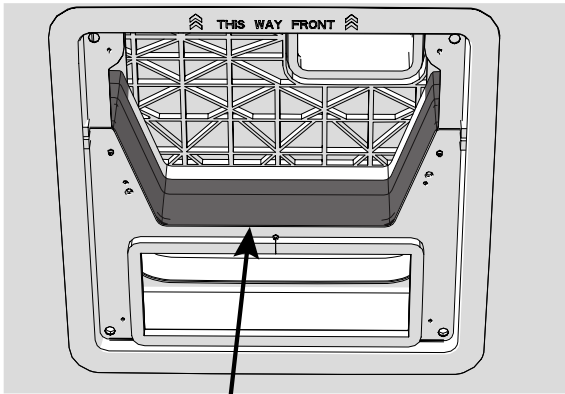
NOTE: Make sure the upper duct divider is compressing the top foam on the base of the air conditioner unit, and compress tightly to the doubled sided tape on the lower duct divider to ensure a positive retention.



Upper duct divider

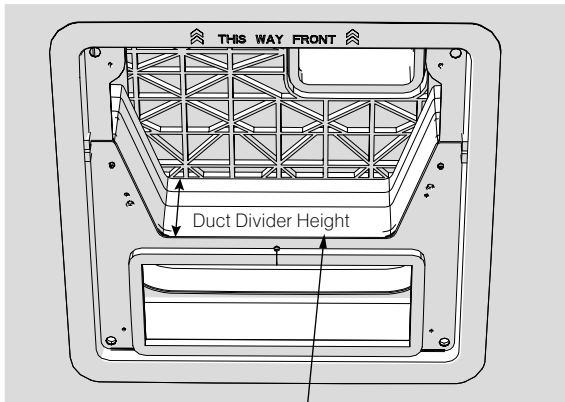
8. Use self adhesive foil tape to seal the two halves of the duct divider together and any potential gaps around the duct divider to roof opening that may allow cold air to leak back into the warm intake side.

NOTE: Clean metal surfaces to remove any oils to ensure good adhesion of the foil tape.



Foil tape

9. Measure the height of the duct divider, and cut the PE foam with a utility knife to the measured dimension. Peel paper backer of foam to reveal sticky adhesive. Evenly adhere PE condensation foam to duct divider, working material into crevices and surfaces for a tight uniform fit across the duct divider surface.



PE Foam

Measured Duct Divider Height

DIP Switch Settings

The DIP switches enable/disable different communications between the ceiling controller and wall thermostat for functions such as, zone selection, furnace operation, and additional accessories.

The controls are preset with the following active DIP switch settings:

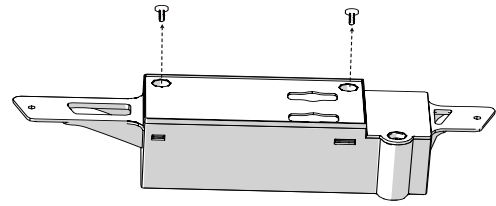
Single Zone: Furnace on (FACC12SA-BL)

Multi Zone: Zone 1; Furnace on (FACC12ZA-BL, FACC12NA-BL, FACC12ESZA, FACC12ZA, FACC12HE, FACC12ESHE)

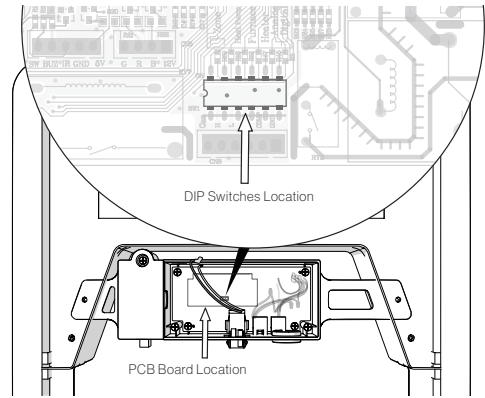
Location of the DIP Switch

The DIP switches are located on the PCB board of the control box. Each time you want to set the DIP, you should open the control box and find the DIP switches.

1. Remove the cover of the control box, and find the PCB board.



2. Locate the position of the DIP switches on the PCB board.



Setting DIP Switches

⚠ DANGER

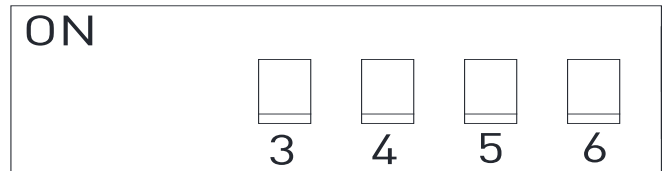
Electrical Shock Hazard

Disconnect power before servicing. Failure to obey this warning could result in death or serious injury.

1. Remove power when setting dip switches, make sure all 115VAC and 12VDC power to the control board is removed.
2. Use a small tool, slide the dip switch to either ON/OFF.

NOTE: If 12V+ is present when making a setting change, It will be necessary to cycle power to reset the control to make the setting active.

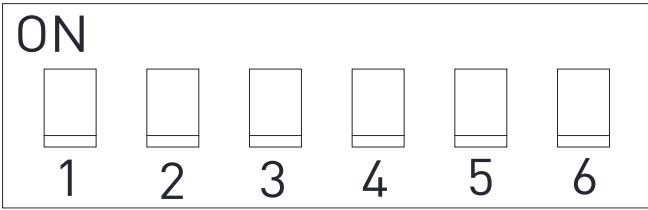
Single Zone DIP Switches:



Heat Pump (selected models)	DIP 3	Reserved	
Furnace	DIP 4	OFF	Furnace Off
		ON	Furnace On
Electric Heat (selected models)	DIP 5	OFF	Electric Heat Off
		ON	Electric Heat On
Analog / Digital	DIP 6	OFF	Digital
		ON	Analog

Multi Zone DIP Switches:

- Each zone requires an independent ceiling control box, but will share one wall thermostat control.
- It is important that each independent zone is set to a unique zone value (1-4) by setting the DIP 1 and DIP 2 to avoid repetition and communication conflicts with the wall thermostat control.



Zone Selection*		DIP 1	DIP 2	ZONE Setting
		OFF	OFF	ZONE1
		OFF	ON	ZONE2
		ON	OFF	ZONE3
		ON	ON	ZONE4
Heat Pump (selected models)	DIP 3	Reserved		
Furnace	DIP 4	OFF	Furnace Off	
		ON	Furnace On	
Electric Heat (selected models)	DIP 5	OFF	Electric Heat Off	
		ON	Electric Heat On	
Analog / Digital	DIP 6	OFF	Digital	
		ON	Analog	

Wire Connection - Digital Furrion Wall Controller/Thermostat

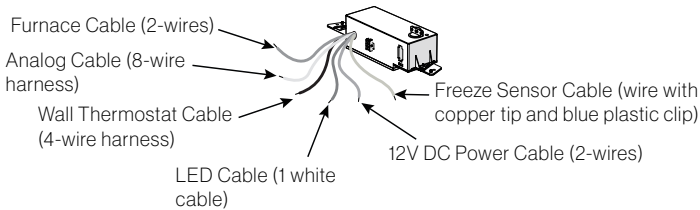
⚠ DANGER

Electrical Shock Hazard

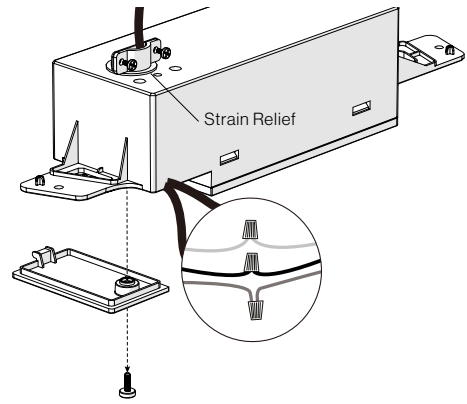
- Disconnect power before servicing.
- Provide grounding in compliance with all applicable electrical codes.

Failure to obey this warning could result in death or serious injury.

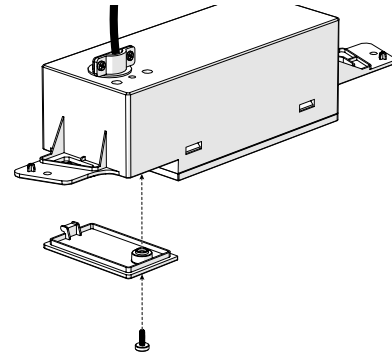
1. Familiarize yourself with the ceiling controller and wire harnesses.
NOTE: When connecting to a Furrion wall controller/thermostat, the analog harness bundle is not used and can be tucked away. The ends do not need to be capped or taped.



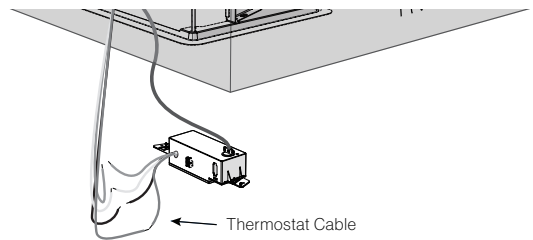
2. Loosen the strain relief and compartment cover of the control box and pass the 115VAC power cord through the strain relief hole and re-tighten the cable clamp until properly restrained. Do not over tighten.
3. Make wire connections following the below color codes.
Black - Hot
White - Neutral
Green/yellow - Ground



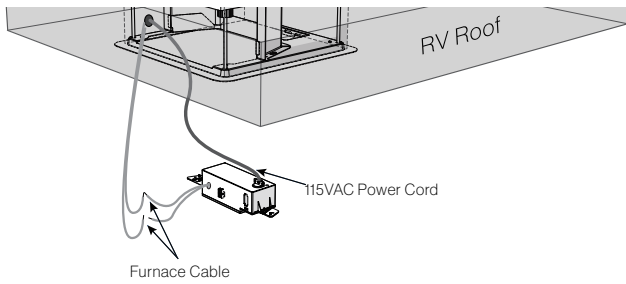
4. Fit all cables into the cable compartment and tuck any excess wires up out of the way. Tighten the cover with screw.



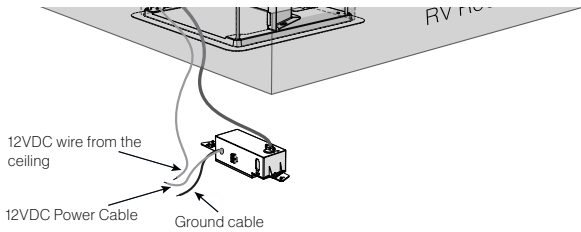
5. Locate the four thermostat cables of the control box (red, green, blue and purple), which are tied together and tagged with "To wall thermostat", and connect them to the thermostat wire that extends to the wall.
IMPORTANT: Note the function marked on the wire end and carefully trace and mark its function at the end of the wire extension so that proper connection can be made at the wall controller / thermostat. Crossing the wires could prevent the control from operating properly, or even cause damage. If uncertain, perform a continuity test through each extension to confirm.



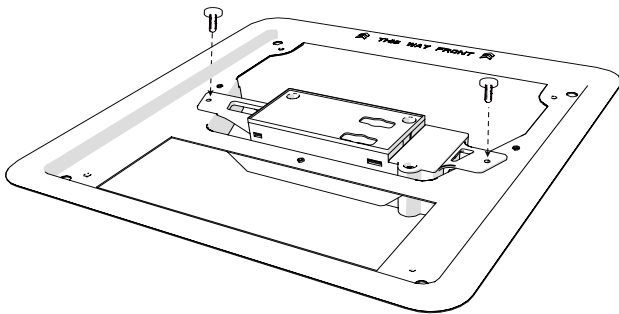
6. If applicable, locate the furnace wires from the ceiling controller, which are two separate brown wires tagged with "FURN". Connect them with the 12V+ wire from the furnace, and the return wire to the furnace.
NOTE: Polarity does not matter, connection can be freely made to either wire. Do not connect the two brown "FURN" wires together.



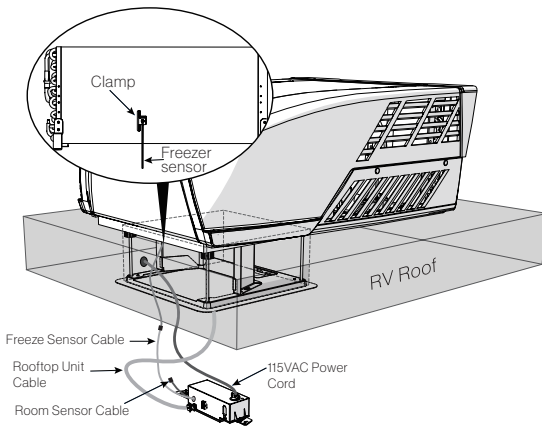
7. Locate the 12 VDC power cable (red, tagged with “+12 VDC”) and ground cable (black, tagged with “Ground (12 VDC)”) of the control box. And connect them with the corresponding 12 VDC wire prepared in the ceiling.



8. Install the control box onto the mounting frame and fix with 2 provided “short” screws (one each side).



9. Stick the freeze sensor into the center bottom of the evaporator. Then insert the clamp into the evaporator between the fins to fix the freezer sensor.



Wire Connection - Multizone

1. Determine zone identification for each ceiling controller, and set DIP switches appropriately per the DIP switch selection section.
2. Choose the appropriate zone to operate the furnace, for all other ceiling controllers set the Furnace DIP switch to “off” to prevent mis-communication.
3. Repeat the wiring steps covered in the single zone controller for each independent wall controller.

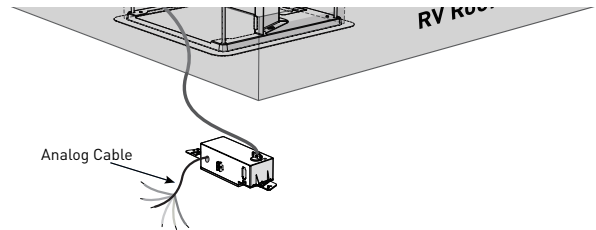
4. Combine all the “To wall thermostat” wires together so that all zones are connected, and each wire function matches. Only one connection point should be made directly to the wall controller / thermostat. Ensure no wire function is crossed throughout the connections.

Analog Connection

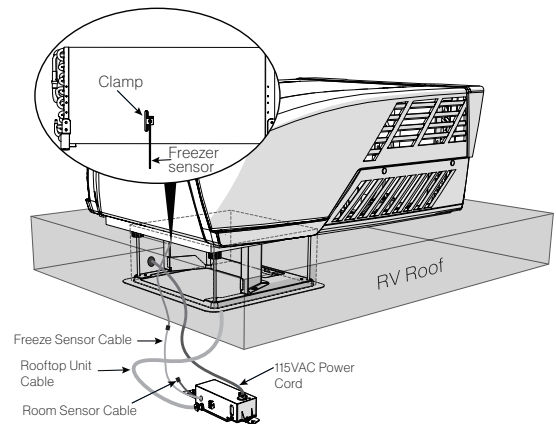
The analog connection is only intended for use with OneControl® provided by Lippert Control Systems. It allows connection directly to the HVAC control module without use of a separate gateway box.

To connect appropriately:

1. Activate the analog harness by turning the DIP switch on as indicated in the DIP switch selection section. This will deactivate the digital “wall thermostat” harness.

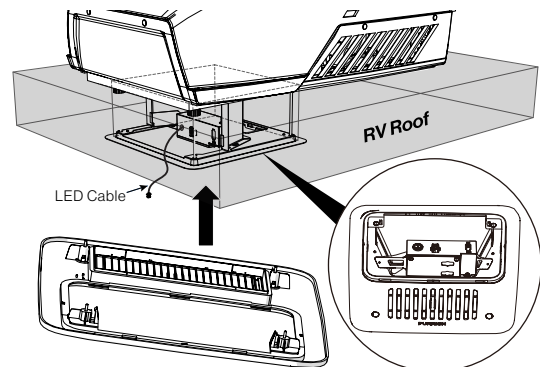


2. Connect the harness function according to the OneControl® instructions.
3. Connect freeze sensor.

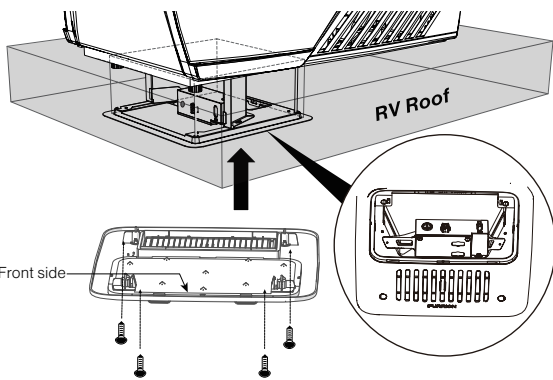


Final Installation

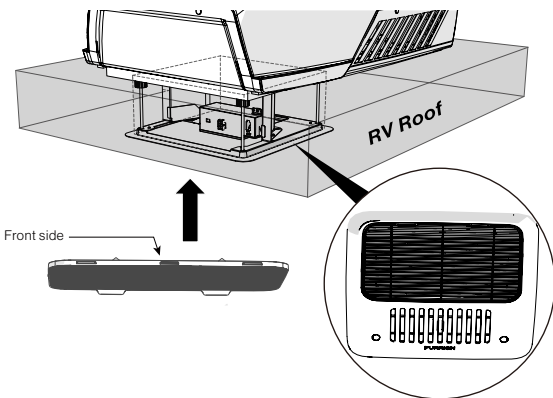
1. Tuck/secure LED cable (white strip, tagged with “LED”) out of the way. This wire is reserved for lighting options.



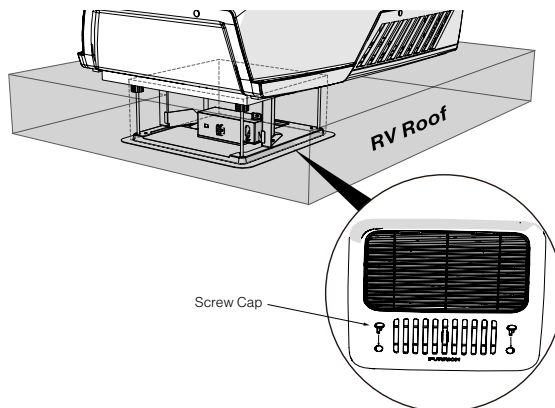
2. Install the Air Distribution Box (ADB) shroud over the mounting frame and fix with the 4 provided long screws, or #8 x1.5” (max) pan head RV screws can also be used.
NOTE: Make sure the “THIS WAY FRONT” mark is facing front (the direction of the vehicle) while installing.



3. Align the filter tabs with mating notches and push to snap the filters into the ADB shroud.



4. Install the screw caps to cover the screw holes.



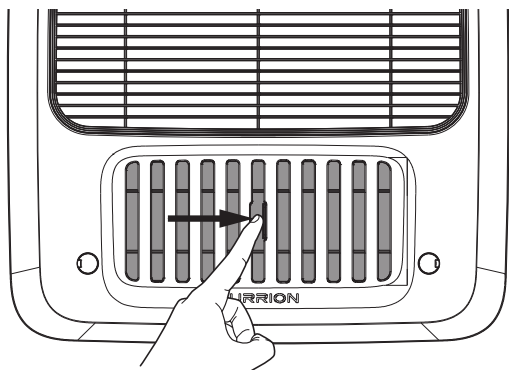
Your new rooftop air conditioner has now been fully installed in the RV roof.

OPERATION

Ducted Systems

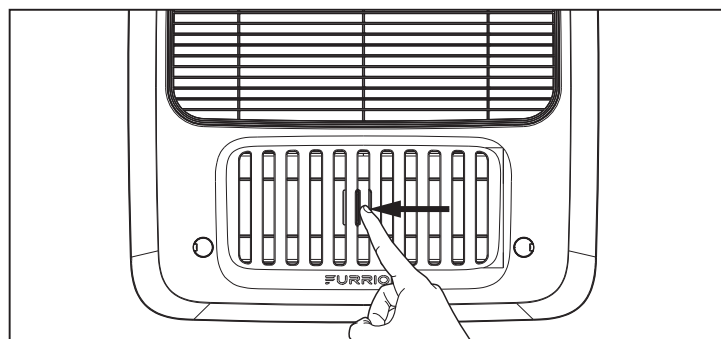
Normal Ducted Use

To distribute air through a ducted system, close the air shutter by pushing the tab right to pressurize the duct work.



Max Cool

To remove significant heat, open the air shutter to “dump” cool air directly below the AC. This will eliminate air and heat loss in the ducted system, and maximize cooling performance. Once comfortable, close shutter to distribute evenly with the ducted system. Open and close the shutter by pushing the tab left and right.



Non-Ducted System

Open shutter to release air.

Thermostat Use

Based on the wall thermostat version you selected. Please refer to the separate instruction manual on how to operate your RV air conditioning system.

CLEANING AND MAINTENANCE

A blocked filter will impair the cooling and heating performance of the unit significantly.

The filter must be cleaned periodically to ensure that it does not become clogged with dust and other particles. The state of the filter can be ascertained from its appearance. If it appears dirty or clogged then it should be cleaned.

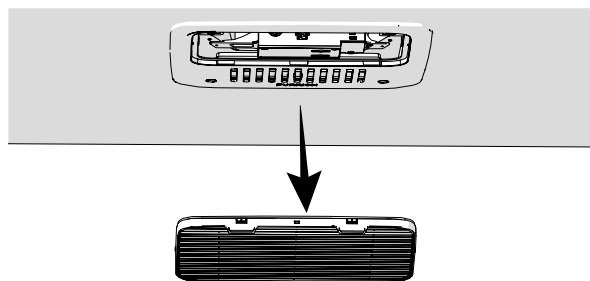
⚠ WARNING

Airborne particles can pose a health risk, particularly to young children and the elderly. Ensure that filters are cleaned in a safe and well ventilated area.

To Clean the Filter

The filter should be cleaned every four weeks or more when in use. Prolonged use, higher concentrations of airborne particles and various other factors may result in the filters needing to be cleaned more often.

1. Remove the filters by pushing the tabs to release. (Fig. 29)



2. The filter can be washed with warm soapy water. Care must be taken to avoid ripping the fabric.
3. Replace the filters and decoration plate, by reversing the above process.

NOTE: The filter must be completely dry before re-installation.

To Replace the Filter

Filter changes should be carried out depending on the amount of use, it is recommended to change at least every 12 months. Never operate the air conditioning system without a filter, since this can decrease performance and indoor air quality. Replacement return air filters can be ordered directly from Furrion.

TROUBLESHOOTING

Problem	Cause	Remedy
Rooftop air conditioner constantly switches itself off	Freeze sensor has tripped.	Outer temperature is too low or all air nozzles are closed.
Not cooling well	The rooftop air conditioner is not set to cooling.	Set the rooftop air conditioner to cooling.
	The set temperature is too high.	Select a lower temperature.
	The evaporator fan is damaged.	Contact an authorized service agent or Furrion (see the detail contact info at the back page of this manual).
	The condenser fan is damaged.	Contact an authorized service agent or Furrion (see the detail contact info at the back page of this manual).
	The air intake grilles are blocked or obstructed.	Remove any leaves and other dirt from the ventilation grilles of the rooftop air conditioner.
Water enters the vehicle	The condensation water drainage openings are clogged up.	Clean the drainage openings for condensation water.
	The seals are damaged.	Contact an authorized service agent or Furrion (see the detail contact info at the back page of this manual).
Rooftop air conditioner does not switch on	No supply voltage connected.	Check the power supply.
	The voltage is too low.	Contact an authorized service agent or Furrion (see the detail contact info at the back page of this manual).
	Fuse blown or circuit protector tripped.	Check the electrical fuse of the power supply.

SPECIFICATIONS

	FACR13HESA-** FACR13HESA-**-AM	FACR14SA-** FACR14SA-**-AM	FACR15SA-** FACR15SA-**-AM	FACR15HESA-** FACR15HESA-**-AM
Cooling Capacity (Btu/h)	13,500	14,500	15,500	15,000
Dehumidification (pint/h)	1.8	2.7	3.2	3.0
Applicable vehicle length (feet)	23	26	31	31
Refrigerant	R410A	R410A	R410A	R410A
Charge (Oz)	13.9	19.8	23.1	20.8
Roof top Unit Dimensions (L x W x H) (inch)	34 $\frac{7}{8}$ x 27 $\frac{1}{2}$ x 13 $\frac{1}{2}$	34 $\frac{7}{8}$ x 27 $\frac{1}{2}$ x 13 $\frac{1}{2}$	34 $\frac{7}{8}$ x 27 $\frac{1}{2}$ x 13 $\frac{1}{2}$	34 $\frac{7}{8}$ x 27 $\frac{1}{2}$ x 13 $\frac{1}{2}$
ELECTRICAL				
Volts/Frequency	115V~/60Hz/1Ph	115V~/60Hz/1Ph	115V~/60Hz/1Ph	115V~/60Hz/1Ph
Power Watts (Cooling)	1,283	1,620	1,720	1,760
Amps (Cooling)	11.3	14.6	15.4	15.6
Power Cord Gauge Min. (mm ²)	AWG12	AWG12	AWG12	AWG12

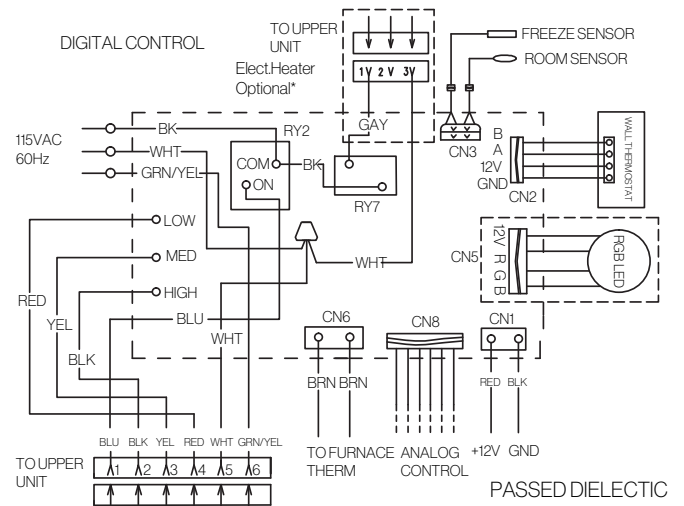
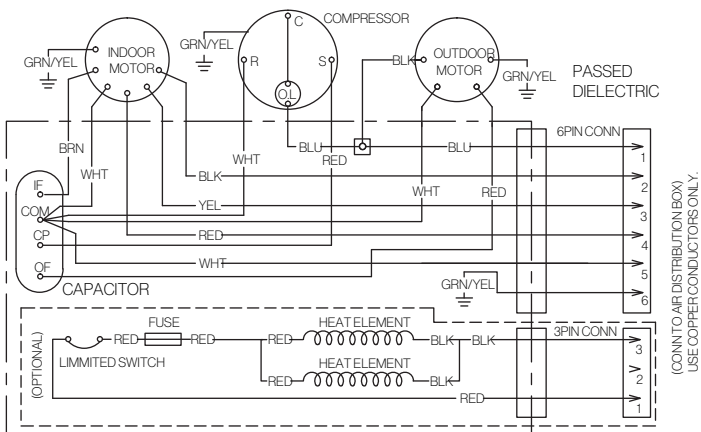
** Product color.

WIRING DIAGRAM

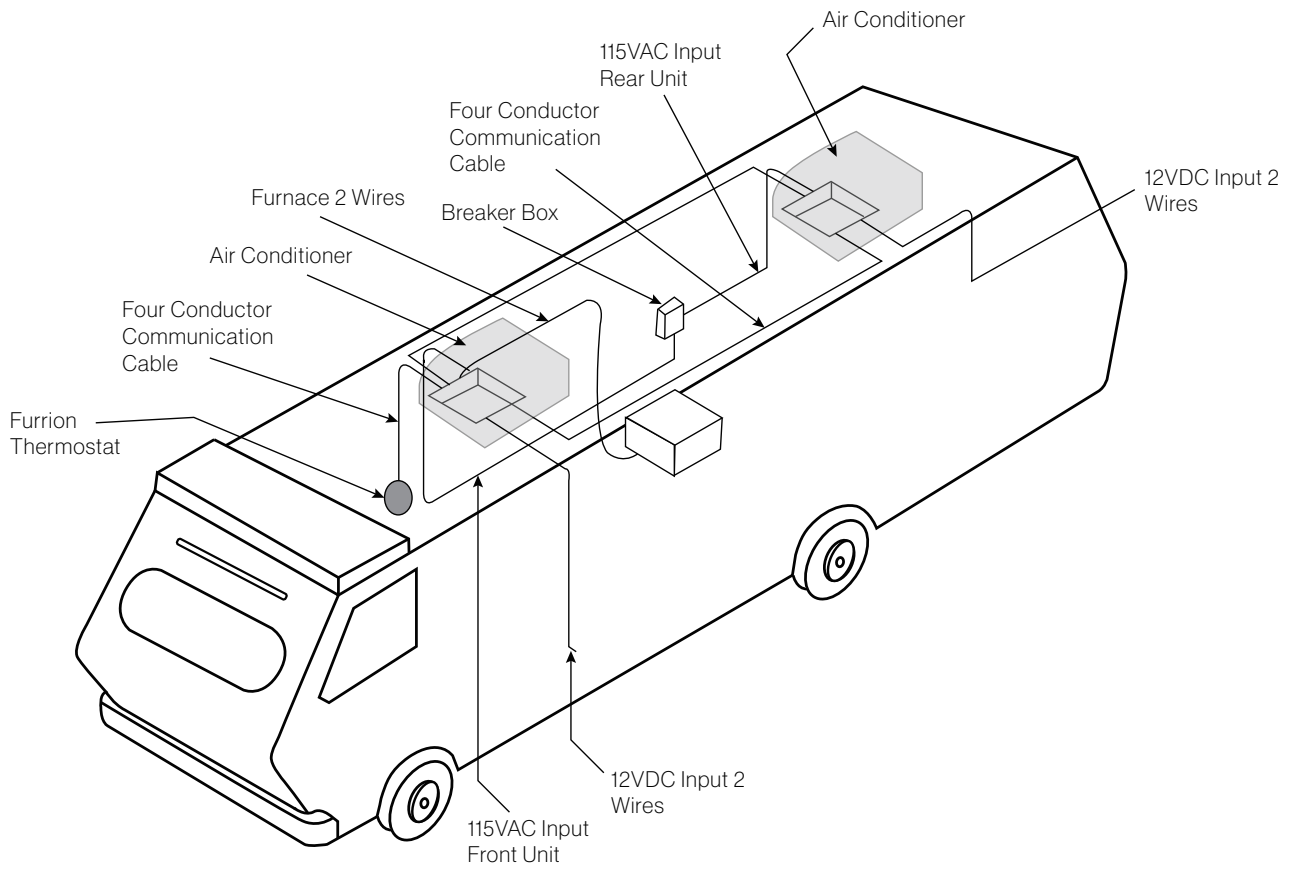
⚠ DANGER

Electrical Shock Hazard

- Disconnect power before servicing. Failure to obey this warning could result in death or serious injury.
- Provide grounding in compliance with all applicable electrical codes. Failure to obey this warning could result in death or serious injury.



Multi Zone Wiring Diagram



N° de modèle Furrion	N° de Lippert
FACR13HESA-PS	2021132276
FACR13HESA-BL	2021130013
FACR13HESA-PS-AM	2021132277
FACR13HESA-BL-AM	2021132275
FACR14SA-PS	2021123613
FACR14SA-BL	2021123563
FACR14SA-PS-AM	2021123705
FACR14SA-BL-AM	2021123707
FACR15SA-PS	2021123799

N° de modèle Furrion	N° de Lippert
FACR15SA-BL	2021123630
FACR15SA-PS-AM	2021123793
FACR15SA-BL-AM	2021123708
FACR15HESA-PS	2021130009
FACR15HESA-BL	2021130010
FACR15HESA-PS-AM	2021130011
FACR15HESA-BL-AM	2021130008
FACT12CA-PS	2021123541
FACT12CA-PS-OEM	2022007391

Nous vous remercions d'avoir acheté ce produit Furrion®. Avant d'utiliser votre nouvel appareil, veuillez lire attentivement ces instructions. Ce manuel d'instruction contient des informations pour une utilisation, une installation et un entretien sûrs de l'appareil.

Veuillez conserver ce manuel d'instructions dans un endroit sûr afin de pouvoir vous y référer ultérieurement. Cela permettra de garantir une utilisation sûre et de réduire les risques de blessures. Veuillez à transmettre ce manuel aux nouveaux propriétaires de l'appareil.

Le fabricant n'accepte aucune responsabilité pour tout dommage dû en ne tenant pas compte de ces instructions.

CONTENU

EXPLICATION DES SYMBOLES.....	16
INSTRUCTIONS DE SÉCURITÉ IMPORTANTES	16
Manipulation de l'appareil.....	16
Manipulation des câbles électriques.....	17
AVANT L'INSTALLATION	17
Contenu de la boîte.....	17
Choisir un emplacement approprié pour le climatiseur	17
Préparation de la toiture.....	18
Dimensionnement et conception des gaines de distribution d'air	19
Installation du système de distribution d'air	19
Préparation des connexions de câbles.....	19
INSTALLATION.....	20
Installation de l'unité de toit.....	20
Installation du thermostat mural.....	20
Installation de la boîte de distribution d'air.....	20
Réglages des commutateurs DIP.....	22
Connexion des fils - Contrôleur/Thermostat mural numérique Furrion.....	23
Installation finale.....	24
FONCTIONNEMENT.....	25
Systèmes à conduits.....	25
Système sans conduit.....	25
Utilisation du thermostat.....	25
NETTOYAGE ET ENTRETIEN.....	26
DÉPANNAGE	26
SPÉCIFICATIONS.....	27
SCHÉMA DE CÂBLAGE	27

EXPLICATION DES SYMBOLES

Ce manuel contient des informations et des instructions de sécurité pour vous aider à éliminer ou à réduire les risques d'accidents et de blessures. Respectez toujours tous les avertissements de sécurité identifiés par ces symboles. Un mot de signalisation identifiera les messages de sécurité et les messages relatifs aux dommages matériels, et indiquera le degré ou le niveau de gravité du danger.

DANGER

Indique une situation dangereuse imminente qui, si elle n'est pas évitée, entraînera la mort ou des blessures graves.

AVERTISSEMENT

Indique une situation potentiellement dangereuse qui, si elle n'est pas évitée, peut entraîner la mort ou des blessures graves.

MISE EN GARDE

Indique une situation potentiellement dangereuse qui, si elle n'est pas évitée, peut entraîner des blessures mineures ou modérées, ou des dommages matériels.

INSTRUCTIONS DE SÉCURITÉ IMPORTANTES

Ce manuel contient des informations et des instructions de sécurité pour aider les utilisateurs à éliminer ou à réduire les risques d'accidents et de blessures. Veuillez lire attentivement ce manuel d'instructions avant l'installation et la mise en service, et conservez-le dans un endroit sûr pour toute référence ultérieure. Si vous transmettez l'appareil à une autre personne, remettez-lui ce manuel d'instructions en même temps. Le fabricant n'accepte aucune responsabilité pour les dommages dans les cas suivants :

- Montage ou connexion défectueux
- Dommages au produit résultant d'influences mécaniques et d'une tension excessive
- Modifications du produit sans l'autorisation expresse du fabricant
- Utilisation à des fins autres que celles décrites dans le manuel d'utilisation.

Les informations de sécurité de base suivantes doivent être prises en compte lors de l'utilisation d'appareils électriques pour se protéger :

- Décharge électrique
- Risque d'incendie
- Blessure

Tous les produits Furrion référencés dans ce manuel doivent être installés conformément aux codes locaux et nationaux, y compris les dernières éditions des normes suivantes :

É.-U. :

- NFPA 1192
- NFPA 70

Canada :

- C22.1
- CSA Z240

Manipulation de l'appareil

AVERTISSEMENT

- L'installation et la réparation du climatiseur de toit ne doivent être effectuées que par un personnel qualifié connaissant les risques encourus et les réglementations en vigueur. Des réparations inadéquates peuvent entraîner de graves dangers.
- Les appareils électriques ne sont pas des jouets. Gardez les appareils électriques hors de portée des enfants ou des personnes âgées. Ne les laissez pas utiliser des appareils électriques sans surveillance.
- Empêchez les personnes inexpérimentées d'utiliser l'appareil sans surveillance.
- Ne défaites pas le couvercle supérieur du climatiseur de toit en cas d'incendie. Utilisez plutôt des agents extincteurs approuvés. N'utilisez pas de l'eau pour éteindre le feu.

MISE EN GARDE

- Le climatiseur de toit doit être installé de manière sûre afin qu'il ne puisse pas tomber.
- Ne faites fonctionner le climatiseur de toit que si vous êtes certain que le boîtier et les câbles ne sont pas endommagés.
- N'utilisez pas le climatiseur de toit à proximité de fluides inflammables ou dans des pièces fermées.
- Assurez-vous qu'aucun objet combustible n'est stocké ou installé à proximité de la sortie d'air. Une distance d'au moins 20 po doit être respectée.
- Ne passez pas la main dans les sorties d'air et n'insérez pas de corps étrangers dans l'appareil.
- Utilisez l'appareil uniquement comme prévu.
- N'effectuez aucune modification ou transformation de l'appareil.
- En cas de défaillance du circuit frigorifique, le système doit être contrôlé par un technicien certifié et réparé correctement. Le réfrigérant ne doit jamais être libéré dans l'air.

Manipulation des câbles électriques

⚠ AVERTISSEMENT

L'alimentation électrique ne doit être raccordée que par un électricien qualifié.

⚠ MISE EN GARDE

- Reportez-vous au NEC (National Electric Code) pour connaître le calibre approprié des fils (AWG) en fonction de la longueur du câble et de la protection contre les surintensités qui alimente le climatiseur.
- Voir la plaque signalétique de l'unité de toit pour le dimensionnement correct de la protection contre les surintensités.
- Fixez et posez les câbles de manière à ce qu'ils ne puissent pas trébucher ou être endommagés.

AVANT L'INSTALLATION

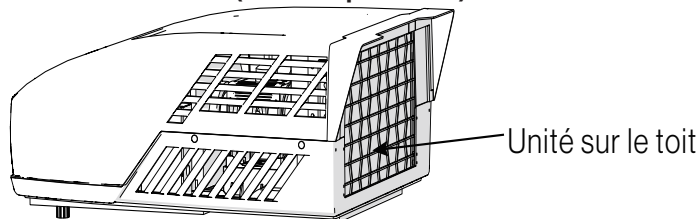
Lisez entièrement ce manuel d'installation avant d'installer le climatiseur de toit.

Les conseils et instructions suivants doivent être respectés lors de l'installation du climatiseur de toit.

Contenu de la boîte

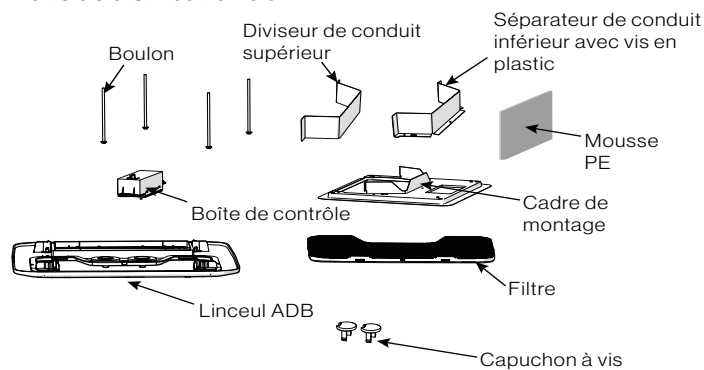
Ouvrez et retirez les composants du carton. Assurez-vous que tous les éléments suivants sont inclus dans l'emballage. Si un élément est manquant, contactez votre revendeur.

Climatiseur sur le toit (vendu séparément) :



- Unité de toit x 1
- Manuel de garantie x 1

Boîte de distribution d'air :



- Séparateur de conduit supérieur x 1
- Séparateur de conduit inférieur x 1
- Boulon x 4
- Cadre de montage x 1
- Boîte de contrôle (vendue séparément) x 1
- Enveloppe du boîtier de distribution d'air (ADB) x 1
- Filtre x 1

- Seul un électricien qualifié doit connecter le climatiseur de toit à l'alimentation électrique.
- Ne posez pas de câbles lâches ou pliés à côté de matériaux conducteurs d'électricité.
- Ne tirez pas sur les câbles.
- Utilisez des goulottes pour faire passer les câbles dans des murs aux arêtes vives.
- Reportez-vous à la plaque signalétique de l'unité de toit et au NEC pour connaître la puissance d'alimentation appropriée.

- Mousse PE x 1
- Vis autotaraudeuses x 6
- Adaptateurs de vis x 2
- Manuel de l'instruction x 1
- Manuel de garantie x 1

Choisir un emplacement approprié pour le climatiseur

IMPORTANT : Le toit doit être conçu pour supporter le poids de l'unité de toit et le poids de 2 installateurs debout sur le toit.

Il existe deux façons d'installer le climatiseur de toit :

1. En utilisant l'ouverture de ventilation existante dans le toit du véhicule.
2. Faire une nouvelle ouverture. Dans ce cas, l'ouverture doit être renforcée par un cadre approprié, selon les besoins.

Ouverture de l'évent de toit existant

Le climatiseur est conçu pour s'adapter à une ouverture de ventilation de toit existante de 14 pouces.

Nouvelle ouverture

Lorsqu'aucun événement de toit n'est disponible ou qu'un autre emplacement est souhaité, il est recommandé de procéder comme suit :

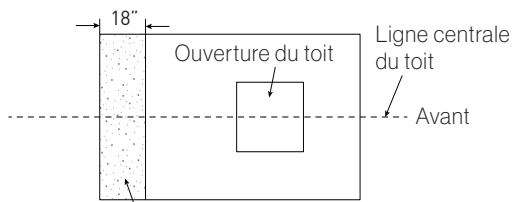
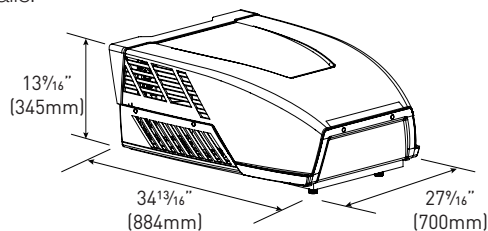
- Pour l'installation d'une seule unité - le climatiseur doit être monté légèrement en avant du centre (de l'avant à l'arrière) et centré d'un côté à l'autre.
- Pour les installations à deux unités, installez un climatiseur à un tiers de l'avant du VR et l'autre climatiseur à deux tiers de l'avant du VR, alignés au centre.

Il est préférable que le climatiseur soit installé sur une section de toit relativement plat et horizontale, mesurée lorsque le véhicule récréatif est garé sur une surface plane.

REMARQUE : Une inclinaison de 15° de chaque côté ou de l'avant vers l'arrière est acceptable pour toutes les unités. Si le toit dépasse 15°, veuillez utiliser une cale de mise à niveau extérieure pour mettre le climatiseur à niveau.

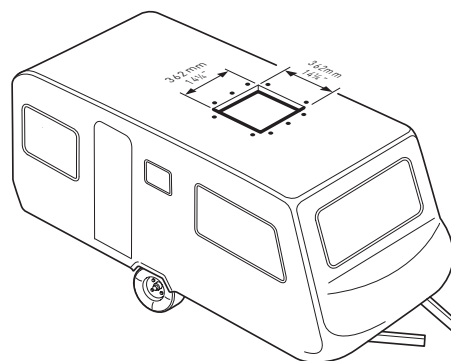
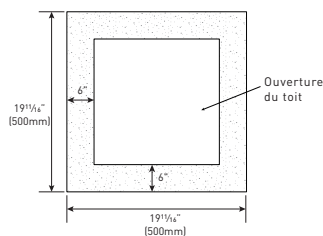
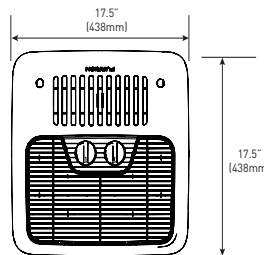
Après avoir sélectionné l'emplacement :

1. Vérifiez l'absence d'obstructions dans la zone où le climatiseur sera installé.



Maintenez cette zone de circulation d'air libre de toute obstruction

2. Vérifiez l'intérieur du VR pour voir si le kit de retour d'air n'est pas obstrué. (Prévoyez un espace de 152 mm (6 po) à partir de l'ouverture pour tenir compte de toute obstruction potentielle du kit de retour d'air.

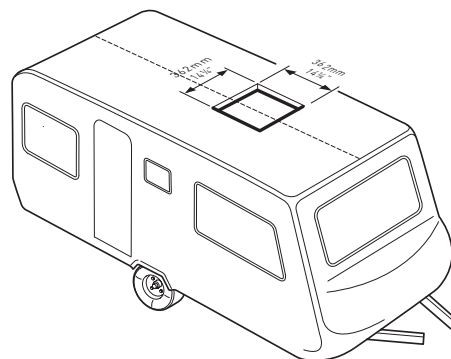


Faire une nouvelle ouverture

Si une ouverture de ventilation de toit n'est pas utilisée, une ouverture de 14 1/4 po x 14 1/4 po (+ 1/2 po) (362 mm x 362 mm) doit être découpée à travers le toit et le plafond du VR. Cette ouverture doit être située entre les éléments de renforcement du toit.

L'ouverture de 14 1/4 po x 14 1/4 po (+ 1/2 po) fait partie du système de retour d'air du climatiseur et doit être fini conformément à la norme NFPA 501C, section 2.7.2.

1. Marquez un carré de 14 1/4 po x 14 1/4 po (+ 1/2 po) sur le toit et découpez soigneusement une ouverture.



Préparation de la toiture

Exigences relatives à l'ouverture - avant de préparer l'ouverture du plafond, décidez du type d'options du système. Lisez toutes les instructions suivantes avant de commencer l'installation.

⚠ AVERTISSEMENT

Risque de feu/décharge électrique

- Assurez-vous qu'il n'y a pas d'obstacles à l'intérieur du toit, du plancher et des murs du VR, comme des fils et des tuyaux.
- Fermez l'alimentation en gaz et débranchez le courant de 115 VCA du véhicule récréatif avant de percer ou de couper dans le véhicule. Ignorer ces avertissements pourrait entraîner des blessures corporelles graves, voire la mort.

Épaisseur de la toiture

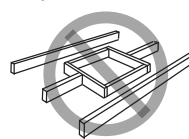
L'installation du climatiseur convient aux toits d'une épaisseur de 90 mm à 152 mm (3,5 po à 6 po). Pour toute autre épaisseur, veuillez contacter Furrion ou un agent de service agréé Furrion.

Installation dans une ouverture existante

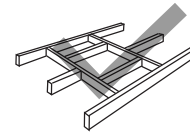
1. Dévissez et retirez l'évent de toit.
2. Retirez tout le mastic de calfeutrage autour de l'ouverture.
3. Si l'ouverture dépasse 14 1/4 po x 14 1/4 po (+ 1/2 po), il sera nécessaire de redimensionner l'ouverture à 14 1/4 po x 14 1/4 po (+ 1/2 po). Si l'ouverture est inférieure à 14 1/4 po x 14 1/4 po (+ 1/2 po), elle doit être agrandie.

2. En utilisant l'ouverture du toit comme guide, découpez un trou correspondant dans le plafond.

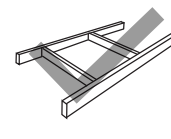
REMARQUE : Maintenir l'intégrité structurelle. Sinon, vous risquez d'endommager le produit et/ou le véhicule récréatif. Respectez toujours les directives suivantes lors de la structuration de l'ouverture.



Ne pas couper la structure du toit ou les chevrons

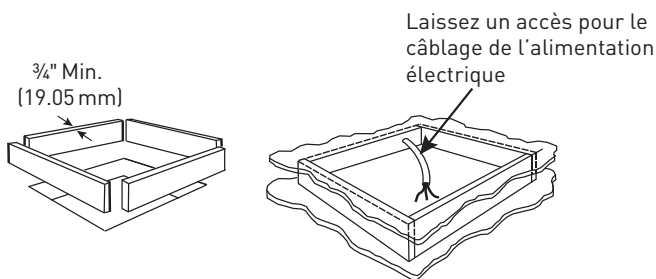


Bon : chevrons soutenus par des poutres transversales



Bien : emplacement entre les chevrons du toit

3. L'ouverture créée doit être encadrée pour fournir un support adéquat et empêcher l'air d'être aspiré de la cavité du toit.
4. Il faut utiliser du bois de 3/4 po ou plus d'épaisseur. N'oubliez pas de prévoir un trou d'entrée pour les alimentations électriques, le thermostat mural et le câblage du four pour les connexions. Laissez un minimum de 15 po (381 mm) à l'avant de l'ouverture.



Dimensionnement et conception des gaines de distribution d'air

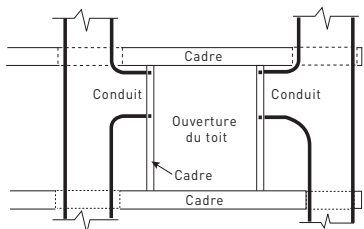
L'installateur de ce système doit concevoir le système de distribution d'air pour son application particulière.

REMARQUE : Assurez-vous que les conduits ne se plieront pas ou ne s'effondreront pas pendant et après l'installation, et qu'ils sont correctement isolés et scellés. Sinon, la structure du toit et le plafond risquent d'être endommagés.

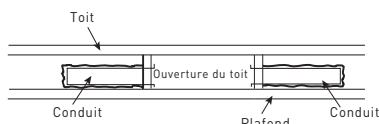
Les conditions suivantes doivent être remplies pour que l'appareil fonctionne correctement :

Profondeur de la cavité du toit	3,5 à -6 po (89 mm à 152 mm)	
Section transversale du conduit	21 pouces carrés Min.	
Taille du conduit	Profondeur	1½ po Min. - 2½ po Max. (38 mm Min. à 63,5 mm Max.)
	Largeur	7 po Min. - 10 po Max. (178 mm Min. à 254 mm Max.)
	Longueur totale du conduit	15 pi Min. - 40 pieds. Max. (4,5 m à 13 m)
	Longueur de la gaine (courte)	1/3 de la longueur totale du conduit
Exigences de registre par unité A/C	Nombre requis	4 Min. à 8 Max.
	Registre d'alimentation Zone d'air libre	14 pouces carrés (90 cm carrés)
	Registre de retour Zone d'air libre	40 pouces carrés (258 cm carrés)
	Distance de l'extrémité du conduit	5 po Min. - 8 po Max. (127 mm Min. à 203 mm Max.)
	Distance du coude	15 po (381 mm)
Pression d'air statique totale du système	Ventilateur à haute vitesse, filtre et grille en place	0,55 à 1,10 po W.C.

- Isolez et étanchéifiez correctement tous les conduits d'air de refoulement afin d'empêcher la formation de condensation sur leurs surfaces ou sur les surfaces adjacentes pendant le fonctionnement de l'unité. Cette isolation doit être de R-7 minimum.



VUE DE DESSUS (ARRIÈRE DU AUTO-CARAVANE)



VUE LATÉRALE (VERS L'ARRIÈRE DE L' AUTO-CARAVANE)

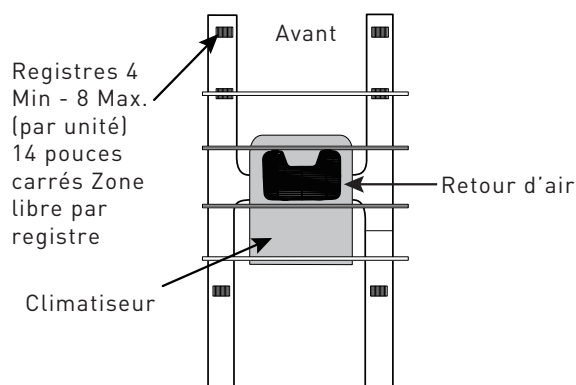
- Les ouvertures de retour d'air doivent avoir une surface libre minimale de 80 pouces carrés (516 centimètres carrés), y compris le filtre.
- L'air de retour vers l'unité doit être filtré pour éviter l'accumulation de saletés sur la surface de refroidissement de l'unité.

Installation du système de distribution d'air

Il incombe à l'installateur d'examiner le plan d'étage de chaque VR pour déterminer les éléments suivants en conjonction avec la section « Dimensionnement et conception des conduits de distribution d'air »

REMARQUE : D'autres configurations et méthodes peuvent être utilisées pour permettre à l'appareil de fonctionner correctement, cependant, ces autres configurations et méthodes DOIVENT être approuvées par Furrion par écrit.

- Taille du conduit
- Disposition des conduits
- Taille du registre
- Emplacement du registre
- Emplacement du thermostat
- Emplacement du capteur de température intérieure (le cas échéant)



Préparation des connexions de câbles

Chaque ouverture de climatiseur de toit doit être préparée avec le câblage adéquat pour connecter le contrôleur de plafond du climatiseur à la tension d'alimentation 115VCA et 12VCC, au thermostat mural et à l'interrupteur du four.

REMARQUE : Les connexions des fils doivent être positionnées dans la section 1/4 de l'ouverture, tournée vers l'avant.

⚠ DANGER

Risque de décharge électrique

- Débranchez l'alimentation avant de procéder à l'entretien. Ignorer cet avertissement pourrait entraîner des blessures corporelles graves, voire la mort.
- Fournir une mise à la terre en conformité avec tous les codes électriques applicables. Ignorer cet avertissement pourrait entraîner des blessures corporelles graves, voire la mort.

Alimentation 115 VCA

1. Préparez un circuit dédié de 20 ampères pour chaque unité de climatisation, protégé par un fusible à retardement ou un disjoncteur.

REMARQUE : Avec plusieurs climatiseurs sur un service de 50 ampères, il est préférable d'équilibrer entre les jambes de tension de ligne.

2. Prolongez le circuit avec un fil double 12 AWG avec mise à la terre jusqu'à l'ouverture du toit.

REMARQUE : Le calibre du fil est généralement acceptable selon le code NEC, reportez-vous à la plaque signalétique de l'unité de toit et au code applicable pour le dimensionnement approprié.

3. Protégez le fil lorsqu'il passe par des surfaces rugueuses ou des ouvertures.
4. Terminez avec au moins 15 po (381 mm) de fil d'alimentation dépassant de l'ouverture du toit. Cela garantit une connexion facile au niveau du boîtier de commande.

Alimentation 12 VCC

1. Préparez un circuit protégé de 15 ampères maximum pour alimenter tous les climatiseurs.
REMARQUE : Le circuit de dérivation peut être dédié ou partagé avec d'autres équipements d'utilisation.
2. Prolongez le circuit avec un fil double 14 AWG (12 V+, 12 V-) avec mise à la terre jusqu'à l'ouverture du toit.
3. Protégez le fil lorsqu'il passe par des surfaces rugueuses ou des ouvertures.
4. Terminez avec au moins 15 po (381 mm) de fil d'alimentation dépassant de l'ouverture du toit. Cela garantit une connexion facile au niveau du boîtier de commande.

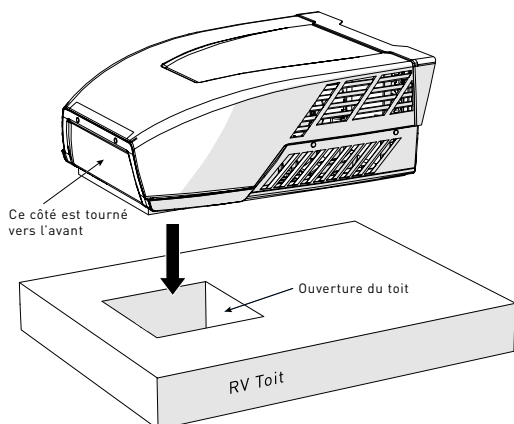
INSTALLATION

Installation de l'unité de toit

⚠ MISE EN GARDE

- L'unité de toit pèse environ 45 kg (100 livres). Pour éviter toute blessure au dos, utilisez un palan mécanique pour soulever ou déplacer l'appareil. Ignorer cet avertissement pourrait entraîner des blessures.
- Ne pas faire glisser l'unité. Cela pourrait endommager le joint situé au bas de l'unité de toit et provoquer des fuites.
- Ne saisissez pas les fentes de ventilation pour soulever l'unité de toit.

En tenant le bas de l'unité, soulevez et positionnez l'unité de toit dans l'ouverture préparée en utilisant le joint au bas de l'unité de toit comme guide.



L'installation extérieure de l'unité de toit est ainsi terminée. Des ajustements mineurs peuvent être effectués depuis l'intérieur du véhicule récréatif si nécessaire.

Connexion du contrôleur mural (thermostat simple et multizone)

1. Préparez 4 fils à connecter entre le contrôleur de plafond (ouverture du toit) et le contrôleur/thermostat mural (ouverture du mur).
REMARQUE : 18 AWG max doit être utilisé, Furriion recommande d'utiliser un fil de thermostat standard avec au moins 4 fils.
2. Terminer avec au moins 15 po (381 mm) d'extrémité de fil pour une connexion facile.
3. Pour les installations multizones, préparez un câblage supplémentaire du même type à connecter entre chaque ouverture de toit.

Interrupteur du four (en option)

1. Si vous devez faire fonctionner la fournaise à l'aide du contrôleur/thermostat mural du climatiseur, préparez deux fils dans l'ouverture du toit pour relier la zone de contrôle du plafond désirée au circuit du thermostat de la fournaise.
REMARQUE : Il s'agit d'une ligne 12V+, qui ne devient chaude que lorsque le contrôleur de plafond ferme l'interrupteur du four pour l'allumer.
2. Terminer avec au moins 15 po (381 mm) à chaque extrémité de fil pour une connexion facile.

Installation du thermostat mural

Furriion propose 2 types de thermostats muraux (vendus séparément) aux fonctionnalités différentes :

- Thermostat mural simple zone
- Thermostat mural multizone

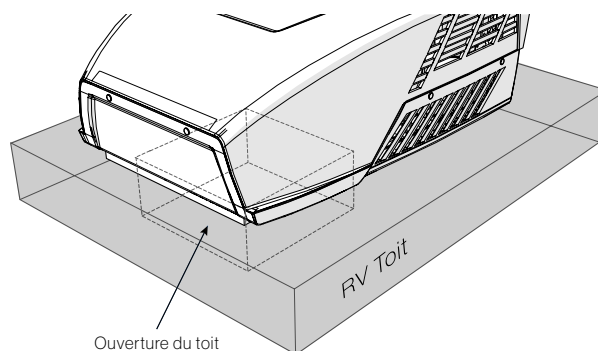
En fonction de la version du thermostat mural que vous avez sélectionnée. Veuillez vous reporter au manuel d'instructions séparé pour savoir comment installer le thermostat mural sur le véhicule récréatif.

Installation de la boîte de distribution d'air

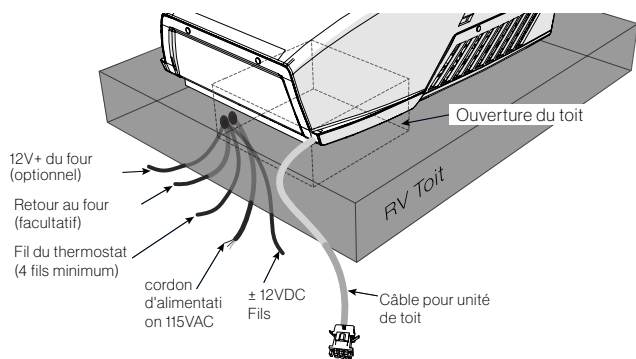
REMARQUE : L'installation de la boîte de distribution d'air est la même pour les structures avec ou sans conduit.

L'unité de toit est fixée sur le toit du VR à l'aide de 4 longs boulons traversant le cadre de montage depuis l'intérieur du plafond du VR.

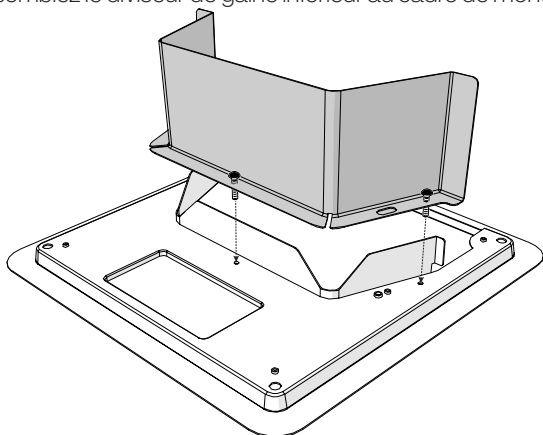
1. Vérifiez l'alignement du joint de l'unité de toit à l'intérieur du VR sur l'ouverture du toit et ajustez si nécessaire en le soulevant et en le déplaçant légèrement.



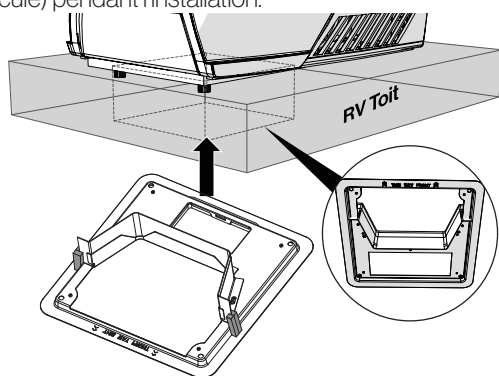
2. Passez la main dans l'ouverture de retour d'air et tirez vers le bas le cordon électrique de l'unité de toit. Assurez-vous que toutes les extrémités des fils spécifiées dans la section « Préparation des connexions de fils » sont accessibles.



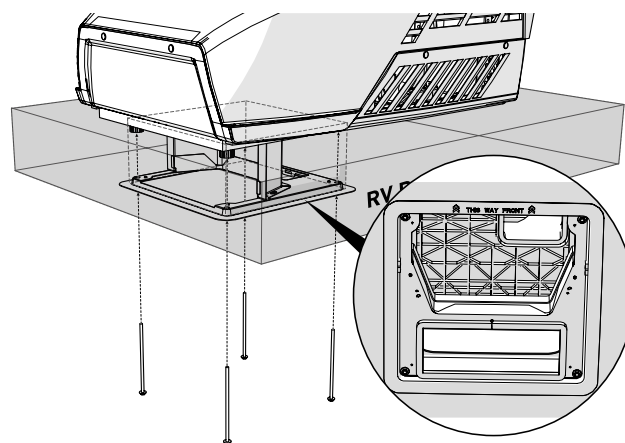
3. Assemblez le diviseur de gaine inférieur au cadre de montage.



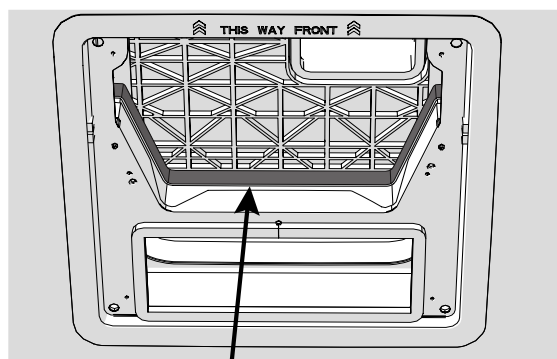
4. Installez le cadre de montage assemblé et le diviseur de conduit inférieur dans l'ouverture du toit. Assurez-vous que la marque « **THIS WAY FRONT** » est orientée vers l'avant (la direction du véhicule) pendant l'installation.



5. Fixez le cadre de montage assemblé et le diviseur de conduit inférieur dans l'unité de toit à l'aide des 4 boulons fournis. Serrez uniformément les quatre boulons avec un couple de 40 à 50 pouces-livres. Cela comprimera le joint de toit à environ 1/2 po.
REMARQUE : Si les boulons sont desserrés, l'étanchéité du toit risque d'être insuffisante ou, s'ils sont trop serrés, la base du toit ou le cadre de montage risque d'être endommagé.



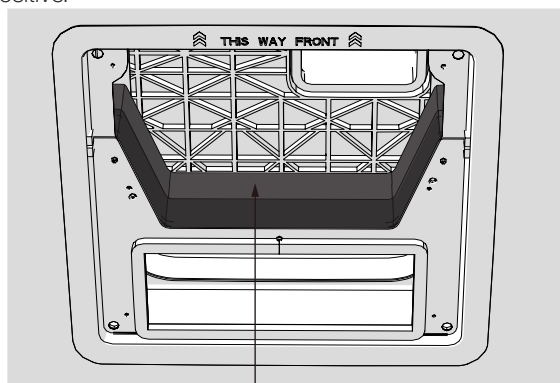
6. Retirez la pellicule du ruban adhésif double face situé sur le côté intérieur supérieur du diviseur de conduit inférieur.



Décollez le film

7. Collez le diviseur de gaine supérieur dans le cadre de montage assemblé.

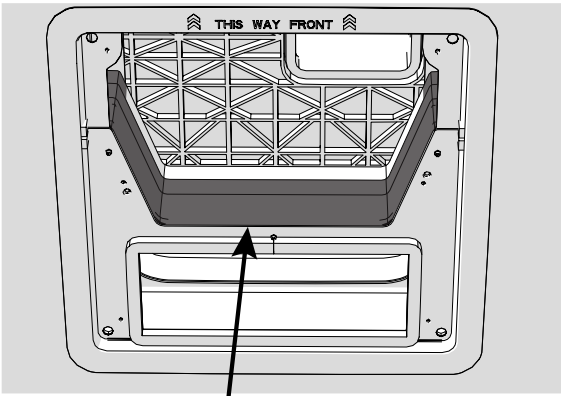
REMARQUE : Assurez-vous que le diviseur de conduit supérieur comprime la mousse supérieure de la base de l'unité de climatisation, et comprime fermement le ruban adhésif double face sur le diviseur de conduit inférieur pour assurer une rétention positive.



Séparateur de gaine supérieur

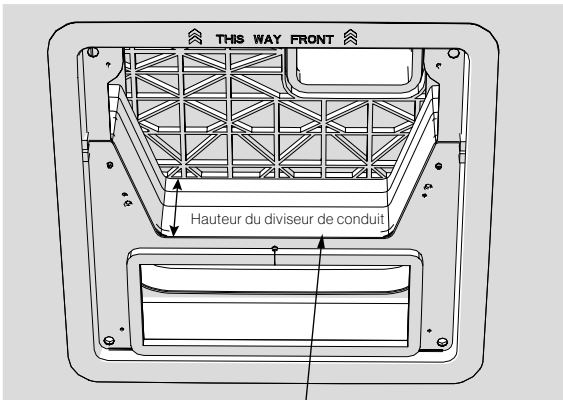
8. Utilisez du ruban adhésif pour sceller les deux moitiés du diviseur de conduit ensemble et tout espace potentiel autour du diviseur de conduit à l'ouverture du toit qui pourrait permettre à l'air froid de revenir dans le côté chaud de l'admission.

REMARQUE : Nettoyez les surfaces métalliques pour éliminer toute trace d'huile afin d'assurer une bonne adhérence de la bande de film.



Ruban adhésif

- Mesurez la hauteur du séparateur de gaines et découpez la mousse PE à l'aide d'un couteau utilitaire à la dimension mesurée. Retirez le papier de la mousse pour révéler l'adhésif. Faites adhérer uniformément la mousse de condensation PE au diviseur de conduit, en faisant pénétrer le matériau dans les crevasses et les surfaces pour obtenir un ajustement serré et uniforme sur la surface du diviseur de conduit.



Mousse PE

Hauteur mesurée du diviseur de conduit

Réglages des commutateurs DIP

Les commutateurs DIP activent/désactivent différentes communications entre le contrôleur de plafond et le thermostat mural pour des fonctions telles que la sélection de zone, le fonctionnement du four et les accessoires supplémentaires.

Les commandes sont pré-réglées avec les réglages actifs suivants des commutateurs DIP :

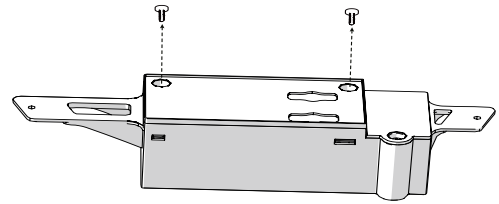
Zone unique : Fourneau en marche (FACC12SA-BL)

Multi Zone : Zone 1; Fourneau en marche (FACC12ZA-BL, FACC12HA-BL, FACC12ESZA-BL, FACC12ESHA-BL)

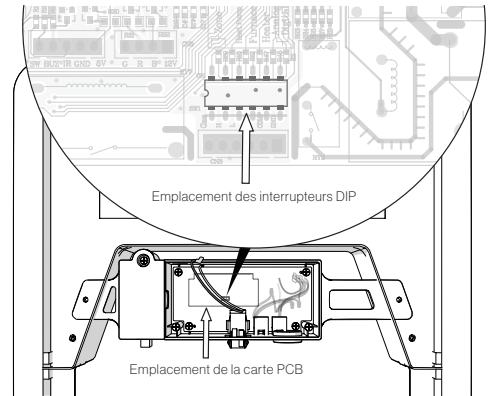
Emplacement du commutateur DIP

Les commutateurs DIP sont situés sur la carte de circuit imprimé du boîtier de commande. Chaque fois que vous voulez régler les DIP, vous devez ouvrir le boîtier de commande et trouver les commutateurs DIP.

- Retirez le couvercle du boîtier de commande, et trouvez la carte de circuit imprimé.



- Repérez la position des interrupteurs DIP sur la carte de circuit imprimé.



Réglage des interrupteurs DIP

⚠ DANGER

Risque de décharge électrique

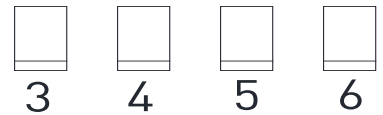
Débranchez l'alimentation avant de procéder à l'entretien. Ignorer cet avertissement pourrait entraîner des blessures corporelles graves, voire la mort.

- Lors du réglage des commutateurs DIP, assurez-vous que toute l'alimentation 115VCA et 12VCC de la carte de contrôle est coupée.
- À l'aide d'un petit outil, faites glisser le commutateur DIP sur Marche/Arrêt.

REMARQUE : Si 12V+ est présent lors de la modification d'un réglage, il sera nécessaire de couper l'alimentation pour réinitialiser la commande et rendre le réglage actif.

Interrupteurs DIP pour zone unique

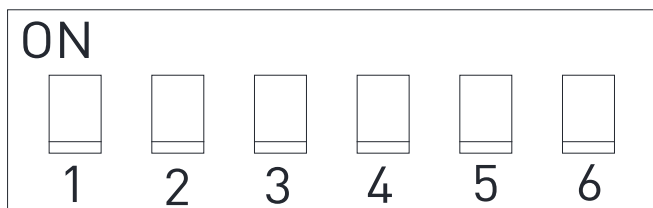
ON



Pompe à chaleur (modèles sélectionnés)	DIP 3	Réservé	
Fourneau	DIP 4	ARRÊT (OFF)	Fourneau éteint
		MARCHE (ON)	Fourneau en marche
Chauffage électrique (certains modèles)	DIP 5	ARRÊT (OFF)	Arrêt du chauffage électrique
		MARCHE (ON)	Chauffage électrique en marche
Analogique/numérique	DIP 6	ARRÊT (OFF)	Digital
		MARCHE (ON)	Analogique

Interrupteurs DIP pour zone multiple

- Chaque zone nécessite un boîtier de commande indépendant au plafond, mais partage une commande de thermostat mural.
- Il est important que chaque zone indépendante soit réglée sur une valeur de zone unique (1-4) en réglant les DIP 1 et DIP 2 pour éviter les répétitions et les conflits de communication avec la commande du thermostat mural.



Sélection des zones*		DIP 1	DIP 2	Réglage de la ZONE
		ARRÊT (OFF)	ARRÊT (OFF)	ZONE1
ARRÊT (OFF)	MARCHE (ON)	ZONE2		
MARCHE (ON)	ARRÊT (OFF)	ZONE3		
MARCHE (ON)	MARCHE (ON)	ZONE4		
Pompe à chaleur (modèles sélectionnés)	DIP 3	Réservé		
Fourneau	DIP 4	ARRÊT (OFF)	Fourneau éteint	
		MARCHE (ON)	Fourneau en marche	
Chauffage électrique (certains modèles)	DIP 5	ARRÊT (OFF)	Arrêt du chauffage électrique	
		MARCHE (ON)	Chauffage électrique en marche	
Analogique/numérique	DIP 6	ARRÊT (OFF)	Digital	
		MARCHE (ON)	Analogique	

Connexion des fils - Contrôleur/Thermostat mural numérique Furrion

⚠ DANGER

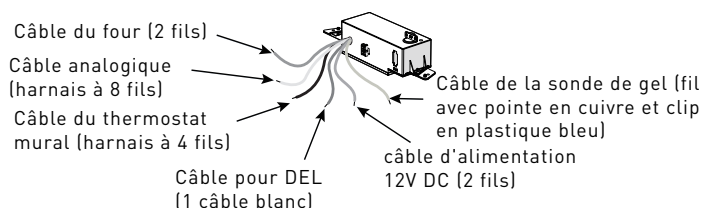
Risque de décharge électrique

- Débranchez l'alimentation avant de procéder à l'entretien.
- Fournir une mise à la terre en conformité avec tous les codes électriques applicables.

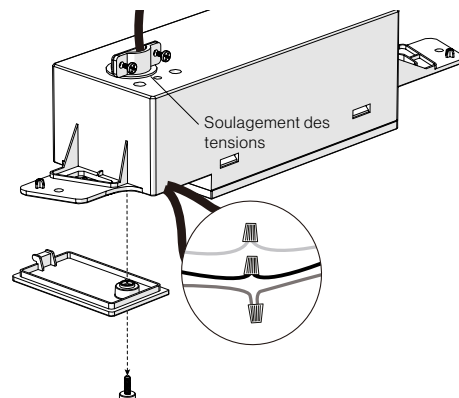
Ignorer cet avertissement pourrait entraîner des blessures corporelles graves, voire la mort.

1. Familiarisez-vous avec le contrôleur de plafond et les faisceaux de câbles.

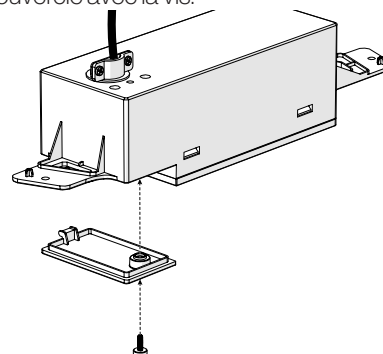
REMARQUE : Lors de la connexion à un contrôleur/thermostat mural Furrion, le faisceau de câbles analogiques n'est pas utilisé et peut être rangé. Les extrémités n'ont pas besoin d'être bouchées ou recouvertes de ruban adhésif.



2. Desserrez la décharge de traction et le couvercle du compartiment du boîtier de commande et faites passer le cordon d'alimentation 115VCA par le trou de décharge de traction et resserrez le serre-câble jusqu'à ce qu'il soit correctement retenu. Ne pas trop serrer.
3. Effectuez les connexions des fils en suivant les codes de couleur ci-dessous.
Noir - Chaud
Blanc - Neutre
Vert/Jaune - Terre



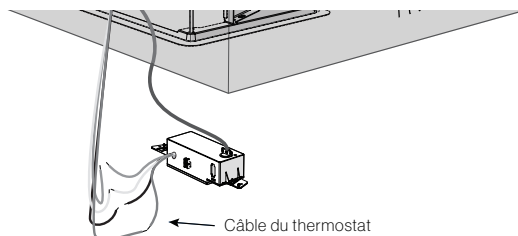
4. Placez tous les câbles dans le compartiment prévu à cet effet et repoussez les fils excédentaires vers le haut, hors du chemin. Serrez le couvercle avec la vis.



5. Repérez les quatre câbles du thermostat du boîtier de commande (rouge, vert, bleu et violet), qui sont attachés ensemble et étiquetés « **Vers le thermostat mural** », et connectez-les au fil du thermostat qui s'étend jusqu'au mur.

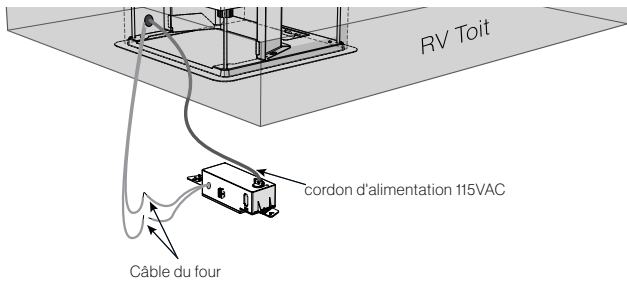
IMPORTANT : Notez la fonction marquée sur l'extrémité du fil et tracez et marquez soigneusement sa fonction à l'extrémité de l'extension du fil afin que la connexion correcte puisse être effectuée au niveau du contrôleur mural/thermostat.

Le croisement des fils pourrait empêcher le contrôle de fonctionner correctement, ou même causer des dommages. En cas de doute, effectuez un test de continuité sur chaque poste pour confirmer.

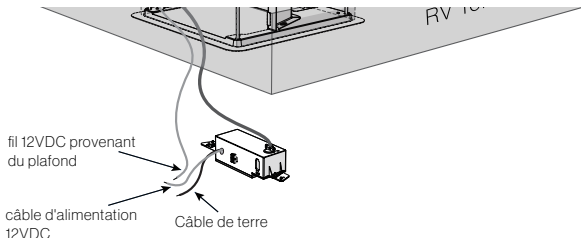


6. Le cas échéant, localisez les fils du four à partir du contrôleur de plafond, qui sont deux fils bruns séparés marqués « **FURN** ».

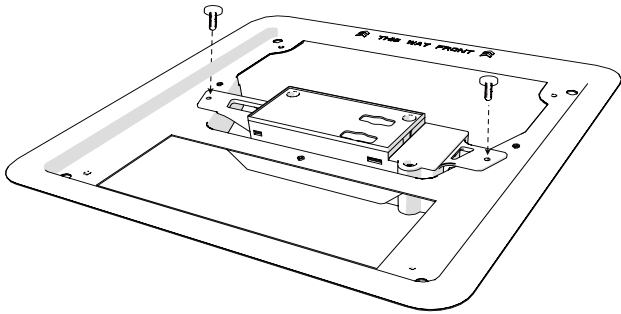
Connectez-les avec le fil 12V+ du four, et le fil de retour au four.
REMARQUE : La polarité n'a pas d'importance, la connexion peut être faite librement sur l'un ou l'autre fil. Ne connectez pas les deux fils bruns « **FURN** » ensemble.



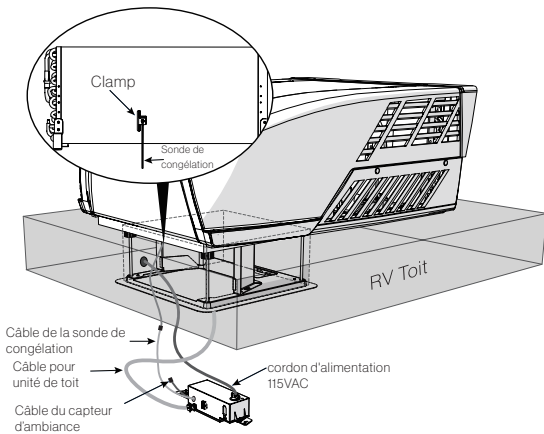
- Localisez le câble d'alimentation 12 VCC (rouge, marqué « **+12 VCC** ») et le câble de masse (noir, marqué « **Masse (12 VCC)** ») du boîtier de commande. Et connectez-les avec le fil 12 VCC correspondant préparé dans le plafond.



- Installez le boîtier de commande sur le cadre de montage et fixez-le à l'aide des 2 vis « courtes » fournies (une de chaque côté).



- Collez la sonde de congélation dans le fond central de l'évaporateur. Insérez ensuite le collier de serrage dans l'évaporateur entre les ailettes pour fixer la sonde du congélateur.



Connexion des fils - multizone

- Déterminez l'identification de la zone pour chaque contrôleur de plafond, et réglez les commutateurs DIP de manière appropriée selon la section de sélection des commutateurs DIP.
- Choisissez la zone appropriée pour faire fonctionner le four. Pour tous les autres contrôleurs de plafond, réglez le commutateur DIP du four sur « off » pour éviter les erreurs de communication.
- Répétez les étapes de câblage couvertes dans le contrôleur de zone unique pour chaque contrôleur mural indépendant.

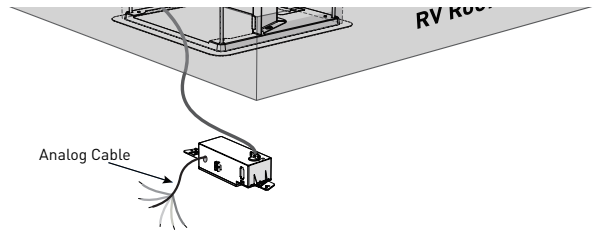
- Combinez tous les fils « Vers le thermostat mural » ensemble afin que toutes les zones soient connectées et que la fonction de chaque fil corresponde. Un seul point de connexion doit être réalisé directement sur le contrôleur/thermostat mural. Assurez-vous qu'aucune fonction de fil n'est croisée dans les connexions.

Connexion analogique

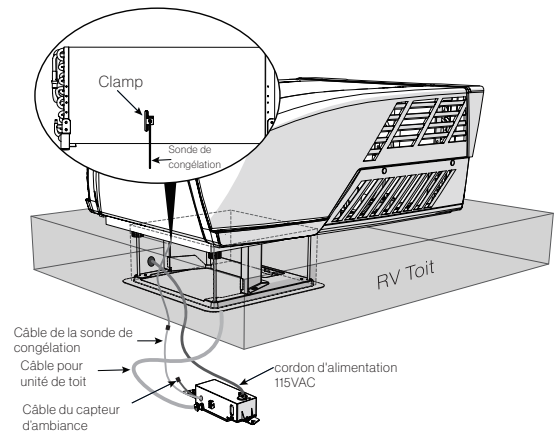
La connexion analogique est uniquement destinée à être utilisée avec OneControl® fourni par Lippert Control Systems. Il permet de se connecter directement au module de contrôle HVCA sans utiliser de boîtier passerelle séparé.

Pour se connecter de manière appropriée :

- Activez le harnais analogique en activant le commutateur DIP comme indiqué dans la section de sélection des commutateurs DIP. Cela désactivera le harnais numérique du « thermostat mural ».

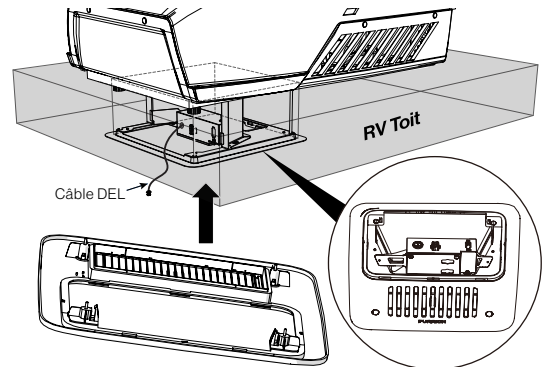


- Connectez la fonction harnais conformément aux instructions du OneControl®.
- Connectez le capteur de gel.



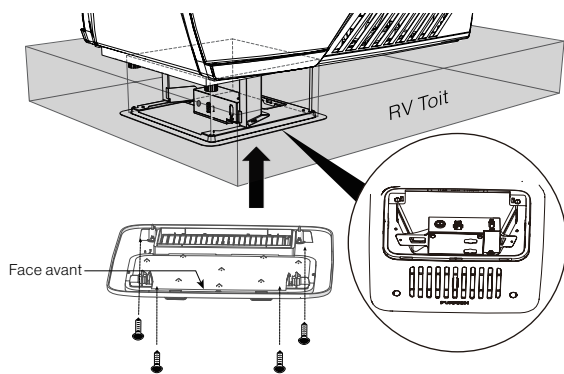
Installation finale

- Placez et fixez le câble de la D.E.L. (bande blanche, marquée « **D.E.L.** ») hors du chemin. Ce fil est réservé aux options d'éclairage.

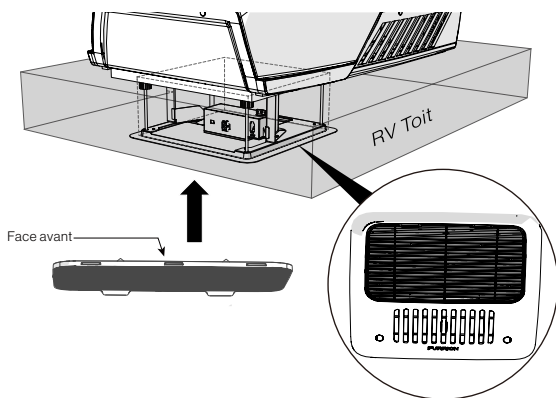


- Installez l'enveloppe du boîtier de distribution d'air (ADB) sur le cadre de montage et fixez-la à l'aide des 4 vis longues fournies, ou des vis à tête cylindrique #8 x1,5 po (max.) pour véhicules récréatifs (max) peuvent également être utilisées.

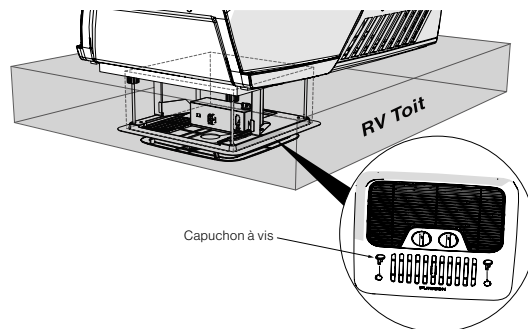
REMARQUE : Assurez-vous que la marque « THIS WAY FRONT » est orientée vers l'avant (la direction du véhicule) pendant l'installation.



3. Alignez les languettes du filtre avec les encoches correspondantes et poussez pour encliquer les filtres dans le boîtier de l'ADB.



4. Installez les capuchons de vis pour couvrir les trous de vis.



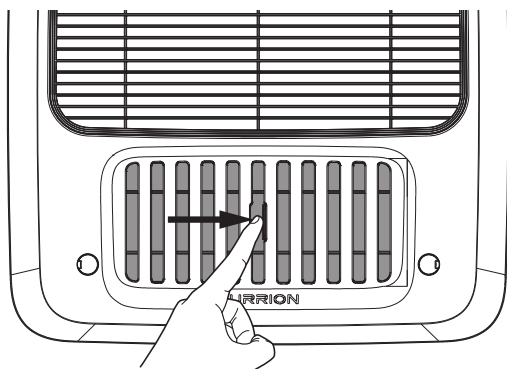
Votre nouveau climatiseur de toit a maintenant été entièrement installé sur le toit de l'auto-caravane.

FONCTIONNEMENT

Systèmes à conduits

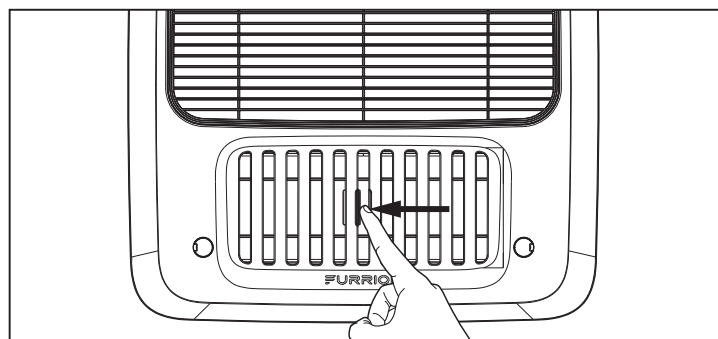
Utilisation normale du conduit

Pour distribuer l'air dans un système de conduits, fermez l'obturateur d'air en poussant la languette vers la droite afin de mettre les conduits sous pression.



Max Cool

Pour évacuer une grande partie de la chaleur, ouvrez le volet d'air afin de « vider » l'air frais directement sous la climatisation. Cela permet d'éliminer les pertes d'air et de chaleur dans le système de conduits et d'optimiser les performances de refroidissement. Une fois que vous êtes à l'aise, fermez le volet pour répartir uniformément avec le système de conduits. Ouvrez et fermez l'obturateur en poussant la languette de gauche à droite.



Système sans conduit

Ouvrez l'obturateur pour libérer l'air.

Utilisation du thermostat

En fonction de la version du thermostat mural que vous avez sélectionnée. Veuillez vous reporter au manuel d'instructions séparé pour savoir comment faire fonctionner votre système de climatisation VR.

NETTOYAGE ET ENTRETIEN

Un filtre obstrué réduit considérablement les performances de refroidissement et de chauffage de l'appareil.

Le filtre doit être nettoyé périodiquement pour éviter qu'il ne soit obstrué par la poussière et d'autres particules. L'état du filtre peut être déterminé par son apparence. S'il semble sale ou bouché, il doit être nettoyé.

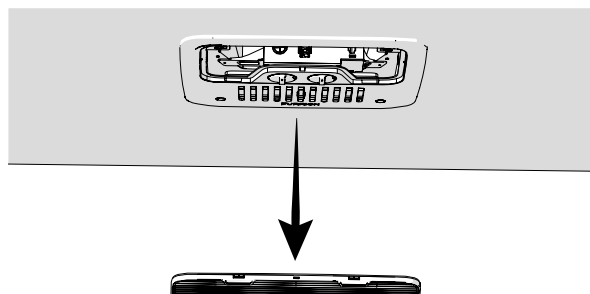
⚠ AVERTISSEMENT

Les particules en suspension dans l'air peuvent présenter un risque pour la santé, notamment pour les jeunes enfants et les personnes âgées. Veillez à ce que les filtres soient nettoyés dans un endroit sûr et bien ventilé.

Pour nettoyer le filtre

Le filtre doit être nettoyé toutes les quatre semaines ou plus lorsqu'il est utilisé. Une utilisation prolongée, des concentrations plus élevées de particules en suspension dans l'air et divers autres facteurs peuvent faire en sorte que les filtres doivent être nettoyés plus souvent.

1. Retirez les filtres en poussant les languettes pour les libérer. (Fig. 29)



2. Le filtre peut être lavé à l'eau chaude savonneuse. Il faut faire attention à ne pas déchirer le tissu.
3. Remplacez les filtres et la plaque de décoration, en inversant le processus ci-dessus.

REMARQUE : Le filtre doit être complètement sec avant d'être réinstallé.

Pour remplacer le filtre

Le changement de filtre doit être effectué en fonction de la quantité d'utilisation, il est recommandé de le faire au moins tous les 12 mois. Ne faites jamais fonctionner le système de climatisation sans filtre, car cela peut diminuer les performances et la qualité de l'air intérieur.

Les filtres de retour d'air de remplacement peuvent être commandés directement auprès de Furrion.

DÉPANNAGE

Problème	Cause	Remède
Le climatiseur du toit s'éteint constamment	Le capteur de gel s'est déclenché.	La température extérieure est trop basse ou toutes les buses d'air sont fermées.
Ne refroidit pas bien	Le climatiseur de toit n'est pas réglé sur le refroidissement.	Réglez le climatiseur de toit sur refroidissement.
	La température réglée est trop élevée.	Sélectionnez une température plus basse.
	Le ventilateur de l'évaporateur est endommagé.	Contactez un agent de service agréé ou Furrion (voir les coordonnées détaillées à la dernière page de ce manuel).
	Le ventilateur du condenseur est endommagé.	Contactez un agent de service agréé ou Furrion (voir les coordonnées détaillées à la dernière page de ce manuel).
	Les grilles d'admission d'air sont bloquées ou obstruées.	Retirez les feuilles et autres saletés des grilles de ventilation du climatiseur de toit.
L'eau pénètre dans le véhicule	Le ventilateur est défectueux.	Contactez un agent de service agréé ou Furrion (voir les coordonnées détaillées à la dernière page de ce manuel).
	Les orifices d'évacuation de l'eau de condensation sont obstrués.	Nettoyez les orifices de drainage de l'eau de condensation.
Le climatiseur de toit ne s'allume pas	Les joints sont endommagés.	Contactez un agent de service agréé ou Furrion (voir les coordonnées détaillées à la dernière page de ce manuel).
	Aucune tension d'alimentation n'est connectée.	Vérifiez l'alimentation électrique.
	La tension est trop faible.	Contactez un agent de service agréé ou Furrion (voir les coordonnées détaillées à la dernière page de ce manuel).
	Le fusible a sauté ou le protecteur de circuit s'est déclenché.	Vérifiez le fusible électrique de l'alimentation.

SPÉCIFICATIONS

	FACR13HESA-**- FACR13HESA-**-AM	FACR14SA-**- FACR14SA-**-AM	FACR15SA-**- FACR15SA-**-AM	FACR15HESA-**- FACR15HESA-**-AM
Capacité de refroidissement (Btu/h)	13 500	14 500	15 500	15 000
Déshumidification (pint/h)	1,8	2,7	3,2	3,0
Longueur du véhicule applicable (pieds)	23	26	31	31
Réfrigérant	R410A	R410A	R410A	R410A
Charge (Oz)	13,9	19,8	23,1	20,8
Dimensions de l'unité de toit (L x P x H) (pouces)	34 $\frac{7}{8}$ x 27 $\frac{5}{8}$ x 13 $\frac{3}{8}$	34 $\frac{7}{8}$ x 27 $\frac{5}{8}$ x 13 $\frac{3}{8}$	34 $\frac{7}{8}$ x 27 $\frac{5}{8}$ x 13 $\frac{3}{8}$	34 $\frac{7}{8}$ x 27 $\frac{5}{8}$ x 13 $\frac{3}{8}$
ÉLECTRICITÉ				
Volts/Fréquence	115 V-/60 Hz/1 Ph	115 V-/60 Hz/1 Ph	115 V-/60 Hz/1 Ph	115 V-/60 Hz/1 Ph
Puissance Watts (refroidissement)	1283	1620	1720	1760
Ampères (refroidissement)	11,3	14,6	15,4	15,6
Jauge du cordon d'alimentation Min. (mm ²)	AWG12	AWG12	AWG12	AWG12
** Couleur du produit.				

SCHÉMA DE CÂBLAGE



Risque de décharge électrique

- Débranchez l'alimentation avant de procéder à l'entretien. Ignorer cet avertissement pourrait entraîner des blessures corporelles graves, voire la mort.
- Fournir une mise à la terre en conformité avec tous les codes électriques applicables. Ignorer cet avertissement pourrait entraîner des blessures corporelles graves, voire la mort.

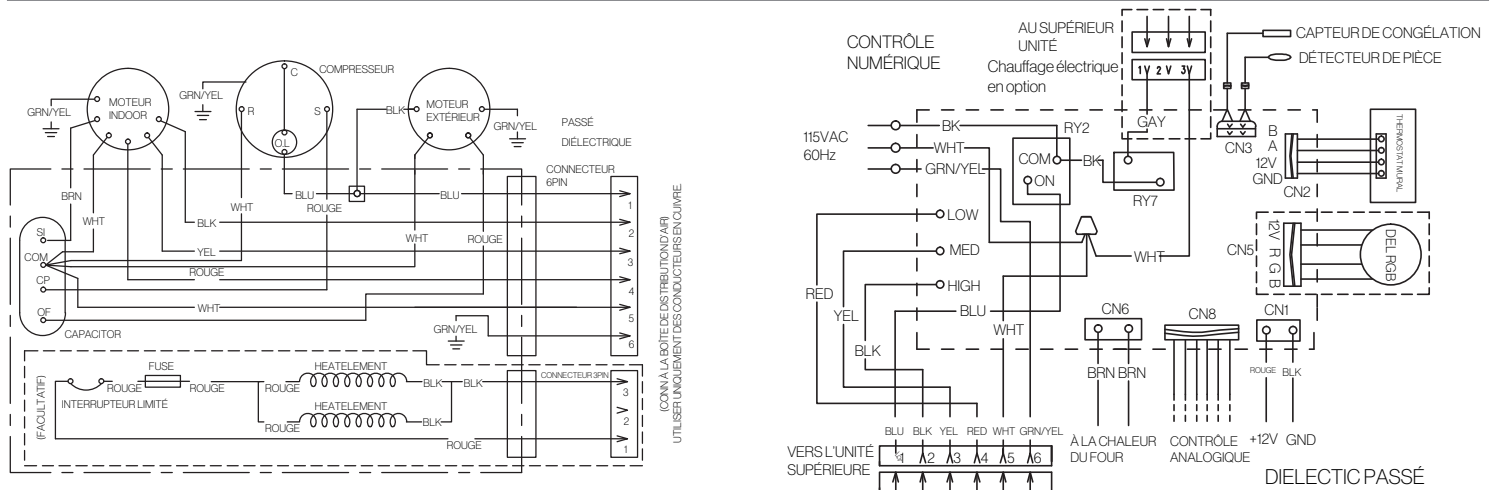
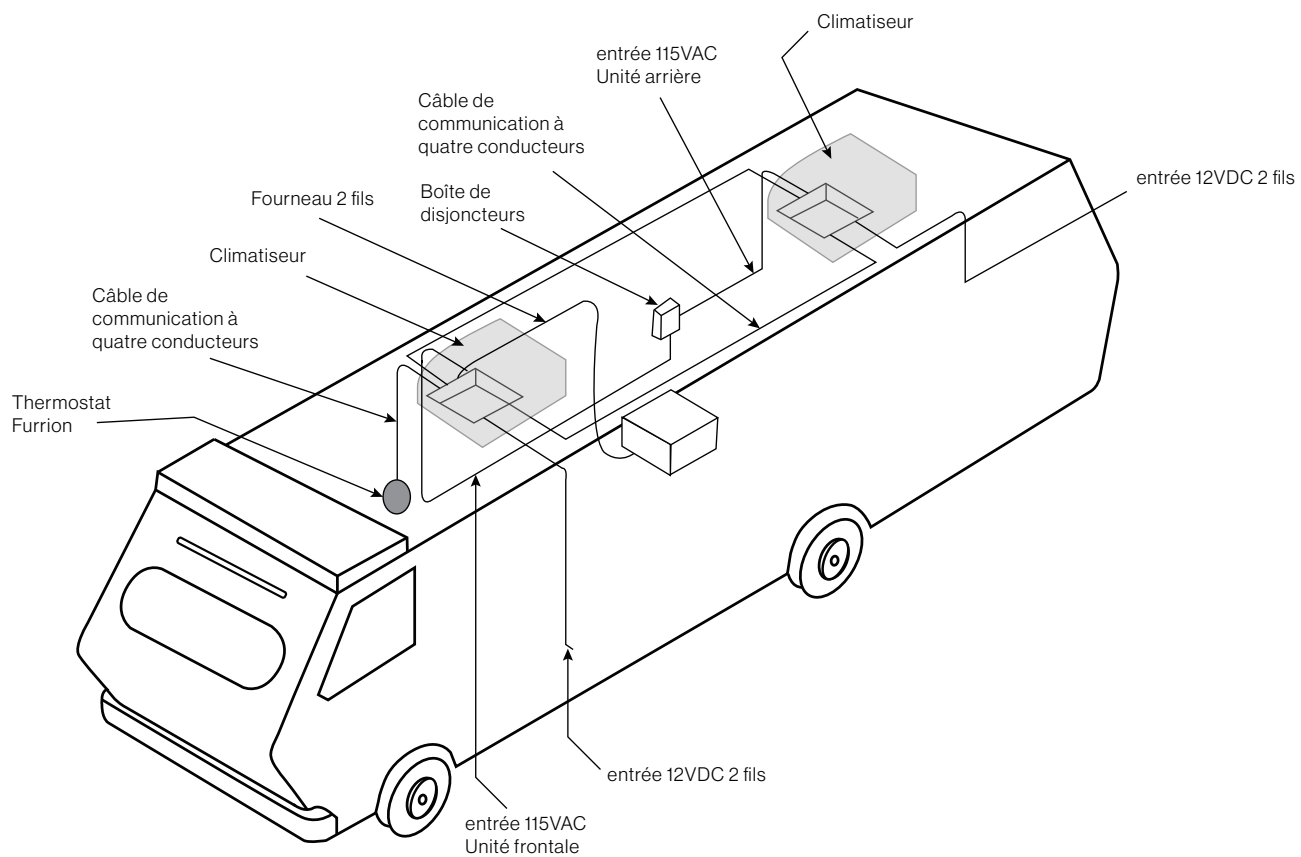


Schéma de câblage multizone



Modelo Furrion N.º	Artículo Lippert N.º
FACR13HESA-PS	2021132276
FACR13HESA-BL	2021130013
FACR13HESA-PS-AM	2021132277
FACR13HESA-BL-AM	2021132275
FACR14SA-PS	2021123613
FACR14SA-BL	2021123563
FACR14SA-PS-AM	2021123705
FACR14SA-BL-AM	2021123707
FACR15SA-PS	2021123799

Modelo Furrion N.º	Artículo Lippert N.º
FACR15SA-BL	2021123630
FACR15SA-PS-AM	2021123793
FACR15SA-BL-AM	2021123708
FACR15HESA-PS	2021130009
FACR15HESA-BL	2021130010
FACR15HESA-PS-AM	2021130011
FACR15HESA-BL-AM	2021130008
FACT12CA-PS	2021123541
FACT12CA-PS-OEM	2022007391

Gracias por adquirir este producto Furrion®. Antes de utilizar el nuevo dispositivo, lea atentamente estas instrucciones. Este manual de instrucciones contiene información para el uso, la instalación y el mantenimiento seguros del producto.

Guarde este manual de instrucciones en un lugar seguro para futuras consultas. Esto garantizará un uso seguro y reducirá el riesgo de lesiones.

Asegúrese de entregar este manual a los nuevos propietarios de este dispositivo.

El fabricante no se hace responsable de los daños ocasionados por no seguir estas instrucciones.

CONTENIDO

EXPLICACIÓN DE LOS SÍMBOLOS	30
IMPORTANTES INSTRUCCIONES DE SEGURIDAD	30
Manipulación del dispositivo	30
Manipulación de cables eléctricos	31
ANTES DE LA INSTALACIÓN	31
Qué hay en la caja	31
Elección de la ubicación adecuada para el aire acondicionado	31
Preparación del techo	32
Tamaño y diseño del conducto de distribución de aire	33
Instalación del sistema de distribución de aire	33
Preparación de las conexiones de cables	33
INSTALACIÓN	34
Instalación de la unidad para el techo	34
Instalación del termostato de pared	34
Instalación de la caja de distribución de aire	34
Ajustes de los interruptores DIP	36
Conexión de cables - Termostato/Controlador digital de pared Furrion	37
Instalación final	38
FUNCIONAMIENTO	39
Sistemas con conductos	39
Sistema sin conductos	39
Uso del termostato	39
LIMPIEZA Y MANTENIMIENTO	40
SOLUCIÓN DE PROBLEMAS	40
ESPECIFICACIONES	41
DIAGRAMA DE CABLEADO	41

EXPLICACIÓN DE LOS SÍMBOLOS

Este manual contiene información e instrucciones de seguridad para ayudarlo a eliminar o reducir el riesgo de accidentes y lesiones. Respete siempre todas las advertencias de seguridad identificadas con estos símbolos. Una palabra de advertencia identificará los mensajes de seguridad y de daños materiales e indicará el grado o nivel de gravedad del peligro.

⚠ PELIGRO

Indica una situación de peligro inminente que, si no se evita, provocará la muerte o lesiones graves.

⚠ ADVERTENCIA

Indica una situación de peligro potencial que, si no se evita, podría causar la muerte o lesiones graves.

⚠ PRECAUCIÓN

Indica una situación de peligro potencial que, si no se evita, podría causar lesiones personales o daños materiales menores o moderados.

IMPORTANTES INSTRUCCIONES DE SEGURIDAD

Este manual contiene información e instrucciones de seguridad para ayudar a los usuarios a eliminar o reducir el riesgo de accidentes y lesiones. Lea este manual de instrucciones detenidamente antes de la instalación y la puesta en marcha, y guárdelo en un lugar seguro para referencia futura. Si le cede el dispositivo a otra persona, entréguele este manual de instrucciones también.

El fabricante no acepta ninguna responsabilidad por daños en los siguientes casos:

- Ensamble o conexión defectuosos
- Daño al producto como consecuencia de influencias mecánicas y voltaje excesivo
- Alteraciones al producto sin permiso expreso del fabricante
- Uso para propósitos diferentes de los descritos en el manual de funcionamiento

Se debe prestar atención a la siguiente información de seguridad básica al usar dispositivos eléctricos para proteger contra:

- Descarga eléctrica
- Peligros de incendio
- Lesiones

Todos los productos Furrión a los que se hace referencia en este manual deben instalarse de acuerdo con códigos locales y nacionales, incluidas las últimas ediciones de los siguientes estándares:

EE. UU.:

- NFPA 1192
- NFPA 70

Canadá:

- C22.1
- CSA Z240

Manipulación del dispositivo

⚠ ADVERTENCIA

- La instalación y la reparación del aire acondicionado para techo solo deben ser realizadas por personal calificado que está familiarizado con los riesgos involucrados y las regulaciones pertinentes. Las reparaciones inapropiadas pueden causar graves peligros.
- Los dispositivos eléctricos no son juguetes. Mantenga los dispositivos eléctricos fuera del alcance de los niños o de los adultos mayores. No les permita usar dispositivos eléctricos sin supervisión.
- Evite que las personas inexpertas utilicen el dispositivo sin supervisión.
- No quite la cubierta superior del aire acondicionado para techo en caso de incendio. En cambio, utilice agentes extintores aprobados. No utilice agua para apagar los incendios.

⚠ PRECAUCIÓN

- El aire acondicionado para techo debe instalarse de manera segura para que no se caiga.
- Solo opere el aire acondicionado para techo si está seguro de que la carcasa y los cables no estén dañados.
- No use el aire acondicionado para techo cerca de líquidos inflamables o en habitaciones cerradas.
- Asegúrese de no almacenar o instalar objetos comestibles cerca de la salida de aire. Se debe mantener una distancia de al menos 20" (51,8 cm).
- No toque las salidas de aire ni inserte objetos extraños en el dispositivo.
- Utilice este dispositivo únicamente para los usos previstos.
- No haga ninguna alteración ni conversión en el dispositivo.
- Si se producen fallas en el circuito del refrigerante, un técnico de servicio certificado debe verificar el sistema y repararlo de manera adecuada. Nunca se debe liberar refrigerante en el aire.

Manipulación de cables eléctricos

⚠ ADVERTENCIA

Únicamente un electricista calificado puede conectar el suministro de energía.

⚠ PRECAUCIÓN

- Consulte el Código Eléctrico Nacional (NEC) para conocer el calibre adecuado de los cables (CAE) según la longitud del cable y el valor nominal de protección contra sobrecorriente del cable que brinda alimentación al aire acondicionado.
- Consulte la placa de identificación de la unidad para el techo para conocer el tamaño adecuado de la protección contra sobrecorriente.
- Sujete y tienda los cables de manera tal que no se activen ni se dañen.

ANTES DE LA INSTALACIÓN

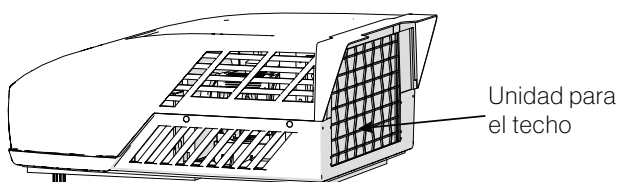
Lea este manual de instalación en su totalidad antes de instalar el aire acondicionado para techo.

Se deben respetar las siguientes sugerencias e instrucciones al instalar el aire acondicionado para techo.

Qué hay en la caja

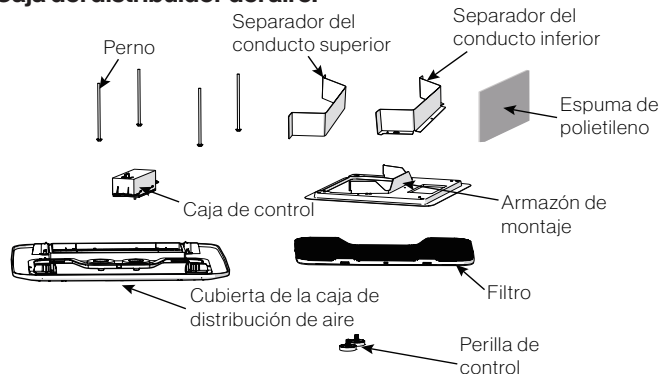
Abra la caja y saque los componentes. Asegúrese de que todos los siguientes elementos estén incluidos en el embalaje. Si falta alguno, comuníquese con su distribuidor.

Aire acondicionado para techo (se vende por separado):



- Unidad para el techo x 1
- Manual de garantía x 1

Caja del distribuidor del aire:



- Separador del conducto superior x 1
- Separador del conducto inferior x 1
- Pernos x 4
- Armazón de montaje x 1
- Caja de control (se vende por separado) x 1
- Cubierta de la caja de distribución de aire (air distribution box, ADB) x 1

- Únicamente un electricista calificado debe conectar el aire acondicionado para techo a la energía eléctrica.
- No deje ningún cable suelto o doblado junto a materiales con conductividad eléctrica.
- No tire de los cables.
- Use canalización para cables para tenderlos por las paredes con bordes afilados.
- Consulte la placa de identificación de la unidad para el techo y el Código Eléctrico Nacional (National Electrical Code, NEC) para conocer el valor de suministro de energía.

- Filtro x 1
- Espuma de polietileno x 1
- Tornillos autorroscantes x 6
- Tapa roscada x 2
- Manual de instrucciones x 1
- Manual de garantía x 1

Elección de la ubicación adecuada para el aire acondicionado

IMPORTANTE: El techo debe estar diseñado para soportar el peso de la unidad para el techo y el de 2 instaladores parados sobre este. Hay dos formas de instalar el aire acondicionado para techo:

1. Usar el orificio de ventilación existente en el techo del vehículo.
2. Hacer un nuevo orificio. En este caso, el orificio debe estar reforzado con un armazón adecuado según sea necesario.

Orificio de ventilación existente en el techo

El aire acondicionado está diseñado para caber en un orificio de ventilación existente en el techo de 14" (35,56 cm).

Nuevo orificio

Cuando no hay ninguna ventilación disponible en el techo o se prefiere otra ubicación, se recomienda hacer lo siguiente:

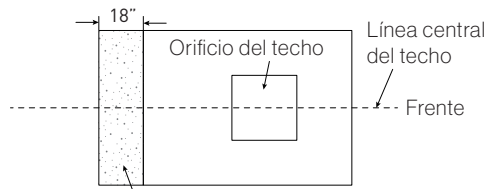
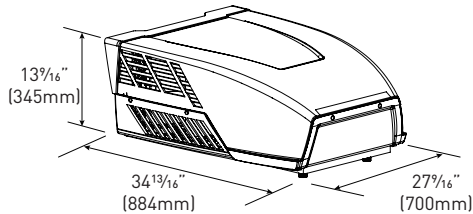
- Para la instalación de una unidad. El aire acondicionado debe montarse levemente hacia adelante con respecto al centro (de adelante hacia atrás) y centrado de lado a lado.
- Para la instalación de dos unidades. Instale un aire acondicionado a una distancia de un tercio desde el frente del vehículo recreativo (recreational vehicle, RV) y el otro, a dos tercios desde el frente del RV, alineado en el centro.

Se prefiere instalar el aire acondicionado en una parte relativamente plana y horizontal del techo, medida cuando el RV está estacionado en una superficie nivelada.

NOTA: Una inclinación de 15° para cualquiera de los lados o de adelante hacia atrás es aceptable para todas las unidades. Si la inclinación del techo supera los 15°, use una cuña niveladora para nivelar el aire acondicionado.

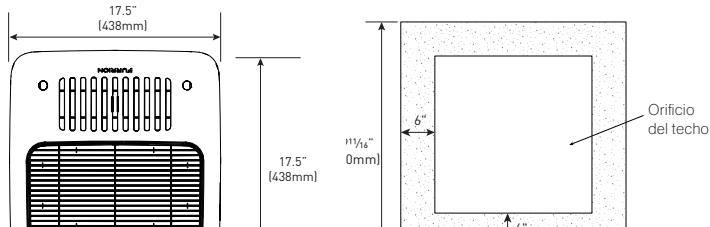
Luego de seleccionar la ubicación:

1. Verifique si hay obstrucciones en el área donde se instalará el aire acondicionado.



Mantener esta área de flujo de aire libre de obstrucciones

2. Inspeccione el interior del RV para comprobar si hay obstrucciones en el kit de aire (es decir, orificios en el techo, separadores de espacio, cortinas, sujetadores en el cielo raso, etc.). Deje un espacio de 6" (152 mm) desde el orificio para dar cuenta de cualquier obstrucción en el kit de aire de retorno.



Preparación del techo

Requisitos del orificio. Antes de preparar el orificio del cielo raso, decida el tipo de opciones del sistema. Lea todas las siguientes instrucciones antes de comenzar la instalación.

⚠ ADVERTENCIA

Peligro de descarga eléctrica/incendio

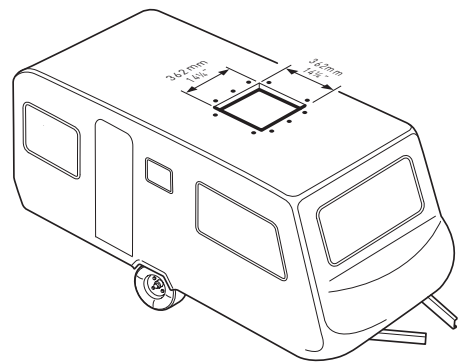
- Asegúrese de que no haya obstáculos dentro del techo del RV, el piso y las paredes, como cables y tubos.
- Cierre el suministro de gas y desconecte la alimentación de 115 V CA desde el RV antes de perforar o cortar el RV. La inobservancia de estas advertencias podría provocar la muerte o lesiones graves.

Grosor del techo

La instalación del aire acondicionado requiere que el techo tenga un grosor de entre 3.5" (90 mm) y 6" (152 mm). Para otros grosores, consulte a Furrion o a un agente de servicio autorizado de Furrion.

Instalación en un orificio existente

1. Desenrosque y retire la ventilación del techo.
2. Retire todo el compuesto sellador que se encuentra alrededor del orificio.
3. Si el orificio excede 14 1/4" (362 mm) x 14 1/4" (362 mm) (+1/2" [12,7 mm]), se deberá ajustar el tamaño de la abertura a 14 1/4" x 14 1/4" (+1/2"). Si el tamaño del orificio es menor que 14 1/4" (362 mm) x 14 1/4" (362 mm) (+1/2" [12,7 mm]), es necesario agrandarlo.

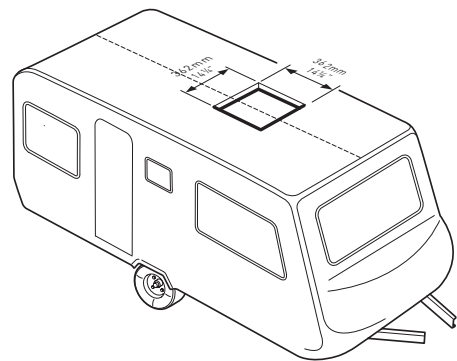


Realización de un nuevo orificio

Si no se utilizará un orificio de ventilación en el techo, se debe cortar un orificio de 14 1/4" x 14 1/4" (362 mm x 362 mm) (+1/2" [12,7 mm]) en el techo y el cielo raso del RV. Este orificio debe estar ubicado entre las piezas de refuerzo del techo.

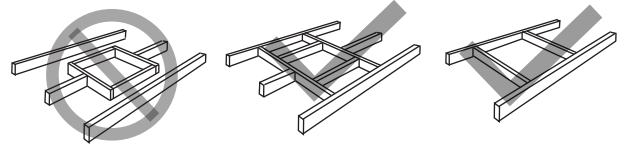
El orificio de 14 1/4" x 14 1/4" (362 mm x 362 mm) (+1/2" [12,7 mm]) forma parte del sistema de aire de retorno del aire acondicionado y el acabado debe realizarse de acuerdo con el Estándar 501C, Sección 2.7.2 de la Asociación Nacional de Protección contra el Fuego (National Fire Protection Association, NFPA).

1. Marque un cuadrado de 14 1/4" x 14 1/4" (362 mm x 362 mm) (+1/2" [12,7 mm]) en el techo y corte cuidadosamente un orificio.



2. Usando el orificio del techo como guía, corte una abertura coincidente en el cielo raso.

NOTA: Mantenga la integridad estructural. De lo contrario, se puede dañar el producto o el RV. Respete siempre las siguientes pautas al estructurar el orificio.

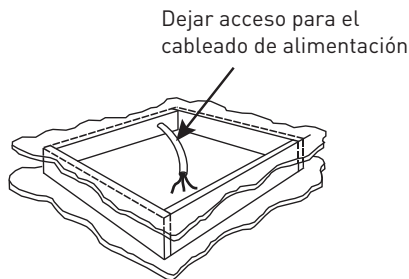
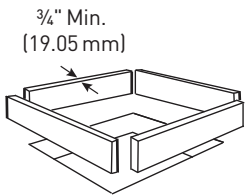


No corte la estructura ni las vigas del techo

Correcto: vigas sostenidas por vigas transversales

Correcto: ubicación entre las vigas del techo

3. El orificio creado debe tener un armazón para brindar soporte adecuado y evitar que el aire salga de la cavidad del techo.
4. Se debe utilizar madera de 3/4" (19 mm) o más de grosor. Recuerde dejar un orificio de ingreso para los suministros de energía, el termostato de pared y el cableado del horno para realizar las conexiones. Deje un mínimo de 15" (381 mm) en el frente del orificio.



Tamaño y diseño del conducto de distribución de aire

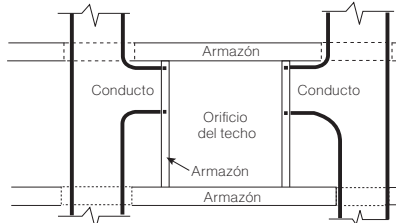
El instalador de este sistema debe diseñar el sistema de distribución de aire para su aplicación particular.

NOTA: Asegúrese de que la red de conductos NO se doble ni colapse durante la instalación ni después de esta, y que esté correctamente aislada y sellada. De otro modo, se puede dañar la estructura del techo y el cielo raso.

Se debe cumplir con los siguientes requisitos para operar la unidad de manera adecuada:

Profundidad de la cavidad del techo	3.5" a 6" (89 mm a 152 mm)	
Área transversal del conducto	21 in ² mín.	
Tamaño del conducto	Profundidad	1½" mín. a 2½" máx. (38 mm mín. a 63,5 mm máx.)
	Ancho	7" mín. a 10" máx. (178 mm mín. a 254 mm máx.)
	Largo total del conducto	15 ft mín. a 40 ft máx. (4,5 m a 13 m)
	Largo del conducto (longitud corta)	Largo total del conducto 1/3
Requisitos del registro por unidad de aire acondicionado	Cant. requerida	4 mín. a 8 máx.
	Área del aire libre del registro de suministro	14 in ² (90 cm ²)
	Área del aire libre del registro de retorno	40 in ² (258 cm ²)
	Distancia desde el extremo del conducto	5" mín. a 8" máx. (127 mm mín. a 203 mm máx.)
	Distancia desde el codo	15" (381 mm)
Presión total del aire estático del sistema	Soplador a alta velocidad, filtro y rejilla colocados	0,55 a 1,10 WC.

- Aísle y selle correctamente todos los conductos de descarga de aire para evitar la formación de condensación en su superficie o en las superficies adyacentes durante la operación de la unidad. El aislamiento debe ser R-7 como mínimo.



VISTA SUPERIOR (PARTE TRASERA DEL RV)



VISTA LATERAL (HACIA LA PARTE TRASERA DEL RV)

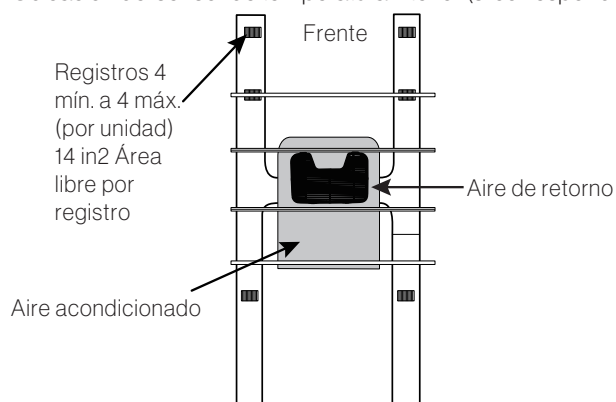
- Los orificios de aire de retorno deben tener un área libre de 80 in² (516 cm²) como mínimo, incluido el filtro.
- Se debe filtrar el aire de retorno a la unidad para evitar la acumulación de suciedad en la superficie de enfriamiento de la unidad.

Instalación del sistema de distribución de aire

Es responsabilidad del instalador revisar cada plano del piso del RV para determinar los siguientes elementos, junto con la sección "Tamaño y diseño del conducto de distribución de aire".

NOTA: Se pueden utilizar configuraciones y métodos alternativos, los cuales permitirán que la unidad funcione de manera adecuada. Sin embargo, estas configuraciones y métodos alternativos DEBEN estar aprobados por escrito por Furrion.

- Tamaño del conducto
- Diseño del conducto
- Tamaño del registro
- Ubicación del registro
- Ubicación del termostato
- Ubicación del sensor de temperatura interior (si corresponde)



Preparación de las conexiones de cables

Todos los orificios del aire acondicionado para techo deben estar preparados con el cableado adecuado para conectar el controlador de cielo raso del aire acondicionado a un voltaje de suministro de 115 V CA y 12 V CC, el termostato de pared y el interruptor del horno.

NOTA: Las conexiones de cables deben ubicarse en la sección de 1/4 orientada hacia adelante del orificio.

⚠ PELIGRO

Peligro de descarga eléctrica

- Desconecte la corriente eléctrica antes de realizar el mantenimiento. La inobservancia de esta advertencia podría provocar la muerte o lesiones graves.
- Conecte a tierra de acuerdo con todos los códigos eléctricos correspondientes. La inobservancia de esta advertencia podría provocar la muerte o lesiones graves.

Suministro de 115 V CA

1. Prepare un circuito específico de 20 amperios para cada unidad de aire acondicionado en un servicio de 50 amperios, protegida con un fusible de retardo de tiempo o disyuntor.

NOTA: Con varias unidades de aire acondicionado en un servicio de 50 amperios, es mejor equilibrar las fases de voltaje de la línea.

2. Extienda el circuito con un cable de dos alambres de 12 CAE (AWG) con conexión a tierra al orificio del techo.

NOTA: El calibre del alambre debe ser aquel generalmente aceptado según el código NEC. Consulte la placa de identificación de la unidad para el techo y el código correspondiente para conocer el tamaño adecuado.

3. Proteja el cable donde este pasa por superficies u orificios ásperos.
4. Termine con un cable de suministro de al menos 15" (381 mm) que se extiende desde el orificio del techo. Esto garantiza una conexión sencilla en la caja de control.

Suministro de 12 V CA

1. Prepare un circuito protegido de 15 amperios como máximo para alimentar todas las unidades de aire acondicionado.
NOTA: El circuito de derivación puede ser específico o compartido con otro equipo de uso.
2. Extienda el circuito con un cable de dos alambres de 14 CAE (AWG), (12V+, 12V-), conectado a cada orificio del techo.
3. Proteja el cable donde este pasa por superficies u orificios ásperos.
4. Termine con un cable de suministro de al menos 15" (381 mm) que se extiende desde el orificio del techo. Esto garantiza una conexión sencilla en la caja de control.

Conexión del controlador de pared (Termostato de zona única o multizona)

1. Prepare 4 cables para conectar entre el controlador del cielo raso (orificio del techo) y el termostato/controlador de pared (orificio de la pared).
NOTA: Se debe usar 18 CAE (AWG). Furrion recomienda usar un cable del termostato estándar con al menos 4 alambres.
2. Termine con un extremo del cable de al menos 15" (381 mm) para una fácil conexión.
3. Para las instalaciones multizona, prepare cableado adicional del mismo tipo para conectar entre cada orificio del techo.

Interruptor del horno (Opcional)

1. Si es necesario operar el horno usando el termostato/controlador de pared del aire acondicionado, prepare 2 cables en el orificio del techo para conectar la zona de control del cielo raso deseada con el circuito del termostato del horno.
NOTA: Esto actúa como una línea de 12 V+ que se energiza únicamente cuando el controlador del cielo raso cierra el interruptor del horno para encenderlo.
2. Termine con al menos 15" (381 mm) de cable en cada extremo para una fácil conexión.

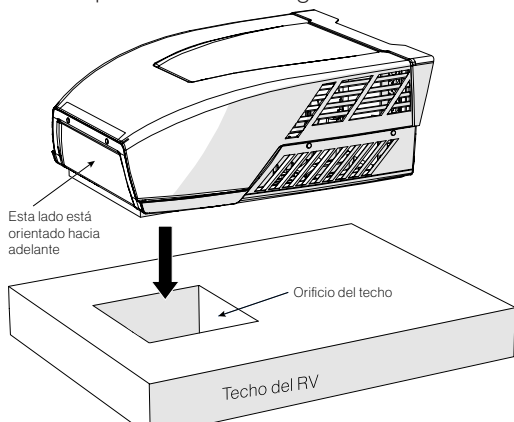
INSTALACIÓN

Instalación de la unidad para el techo

⚠ PRECAUCIÓN

- La unidad para el techo pesa aproximadamente 100 libras (45 kg). Para evitar lesiones en la espalda, use un guinche mecánico al elevar o mover la unidad. La inobservancia de esta advertencia podría provocar lesiones.
- No deslice la unidad. Esto puede dañar la junta en la parte inferior de la unidad para el techo y provocar fugas.
- No agarre las ranuras de ventilación para levantar la unidad para el techo.

Sostenga la parte inferior de la unidad, eleve y ubique la unidad para el techo en el orificio preparado usando la junta ubicada en la parte inferior de la unidad para el techo como guía.



Esto completa la instalación externa de la unidad para el techo. Se pueden hacer ajustes menores desde el interior del RV, si es necesario.

Instalación del termostato de pared

Furrion brinda 2 tipos de termostatos de pared (se venden por separado) en diferentes funcionalidades:

- Termostato de pared de una sola zona
- Termostato de pared multizona

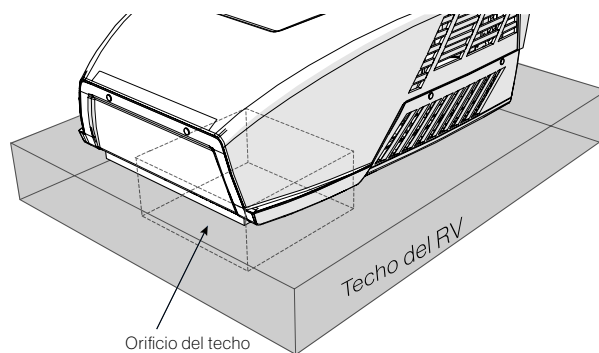
Según la versión del termostato de pared que seleccionó. Consulte el manual de instrucciones por separado para saber cómo instalar el termostato de pared en el RV.

Instalación de la caja de distribución de aire

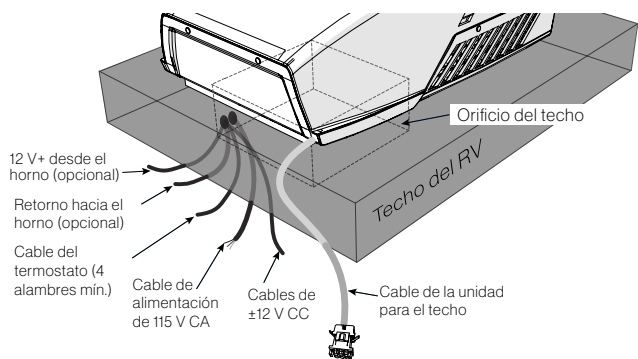
NOTA: La instalación de la caja de distribución de aire es igual para las estructuras con conductos y sin conductos.

La unidad para el techo se fija en el RV usando 4 pernos largos a través del armazón de montaje desde el interior del cielo raso del RV.

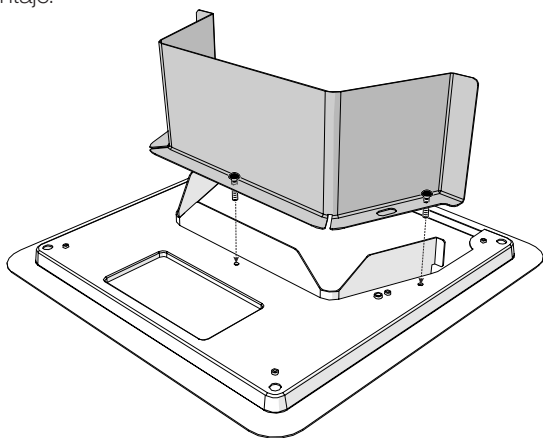
1. Verifique la alineación de la junta de la unidad para el techo dentro del RV sobre el orificio del techo y ajuste según sea necesario levantando la unidad y moviéndola lentamente.



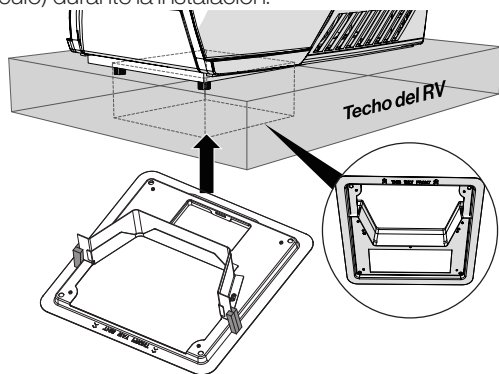
2. Llegue hasta el orificio del aire de retorno y tire hacia abajo el cable eléctrico de la unidad para el techo. Asegúrese de que se pueda acceder a todos los extremos de los cables terminados especificados en "Preparación de las conexiones de cables".



3. Ensamble el separador del conducto inferior en el armazón de montaje.

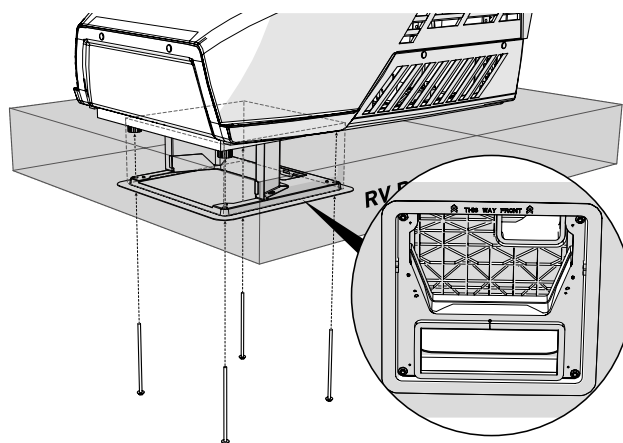


4. Instale el armazón de montaje ensamblado y el separador del conducto inferior dentro del orificio del techo. Asegúrese de que la marca que indica "THIS WAY FRONT" (ESTE LADO HACIA ADELANTE) esté orientada hacia adelante (la dirección del vehículo) durante la instalación.

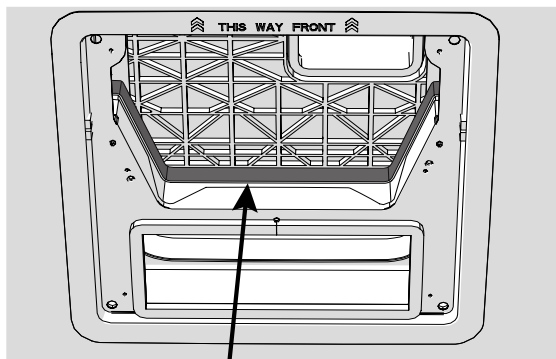


5. Fije el armazón de montaje ensamblado y el separador del conducto inferior en el techo usando los 4 pernos proporcionados. Ajuste de manera uniforme los cuatro pernos con un par de torsión de 40 a 50 pulgadas/libra. Esto comprimirá la junta del techo a aproximadamente 1/2" (12,7 mm).

NOTA: Si los pernos quedan flojos, es posible que el techo no quede bien sellado, o bien, si quedan demasiado ajustados, se puede dañar la base del techo o el armazón de montaje.

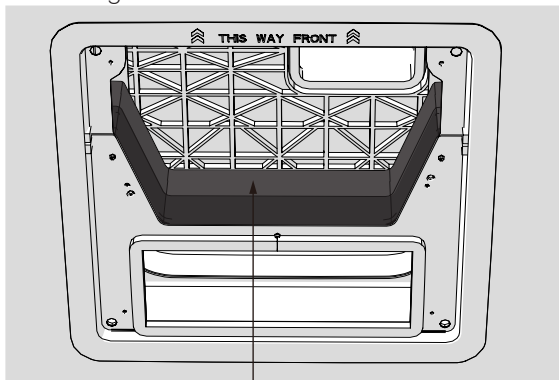


6. Retire la película de la cinta con pegamento de doble cara que se encuentra en el lado superior interno del separador del conducto inferior.



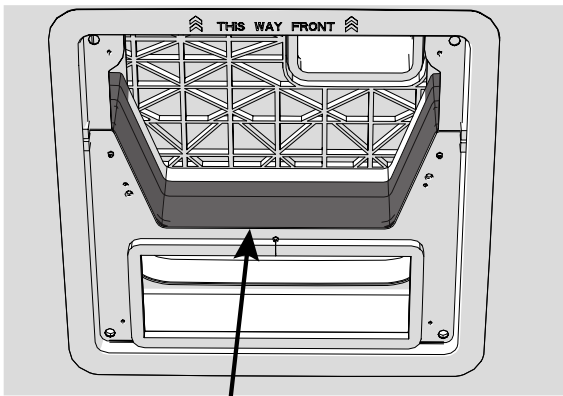
Retire la película

7. Pegue el separador del conducto inferior al armazón de montaje. **NOTA:** Asegúrese de que el separador del conducto superior comprima la espuma superior en la base de la unidad de aire acondicionado, y comprima con fuerza contra la cinta de doble cara en el separador del conducto inferior para garantizar una retención segura.



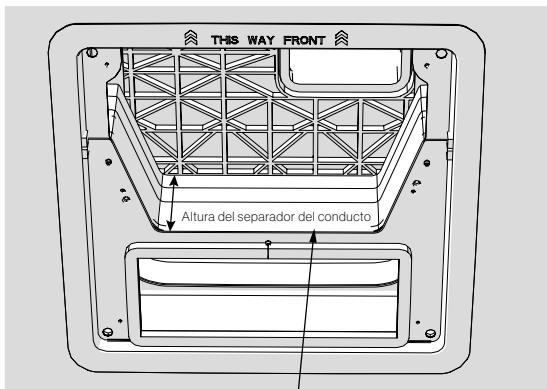
Separador del conducto superior

8. Use cinta autoadhesiva para sellar las dos mitades del separador del conducto juntas y cualquier posible espacio alrededor del separador del conducto al orificio del techo que pueda permitir que el aire frío se filtre hacia el lado de la toma de aire caliente. **NOTA:** Limpie las superficies metálicas para remover aceite y garantizar una buena adhesión de la cinta.



Cinta autoadhesiva

- Mida la altura del separador del conducto y corte la espuma de polietileno con una navaja multiuso según el tamaño medido. Quite el papel protector de la espuma para dejar al descubierto el adhesivo. Adhiera la espuma de condensación de polietileno de manera uniforme al separador del conducto y coloque el material dentro de las grietas y superficies para lograr una colocación uniforme y ajustada en toda la superficie del separador del conducto.



Espuma de polietileno

Altura medida del separador del conducto

Ajustes de los interruptores DIP

Los interruptores DIP habilitan/deshabilitan diferentes comunicaciones entre el controlador del cielo raso y el termostato de pared para funciones como selección de zonas, operación del horno y accesorios adicionales.

Los controles están configurados con los siguientes ajustes de los interruptores DIP activos:

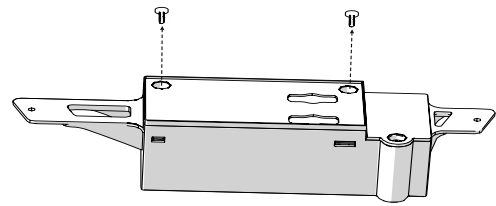
Una sola zona: horno encendido (FACC12SA-BL)

Multizona: zona 1, horno encendido (FACC12ZA-BL, FACC12HA-BL, FACC12ESZA-BL, FACC12ESHA-BL)

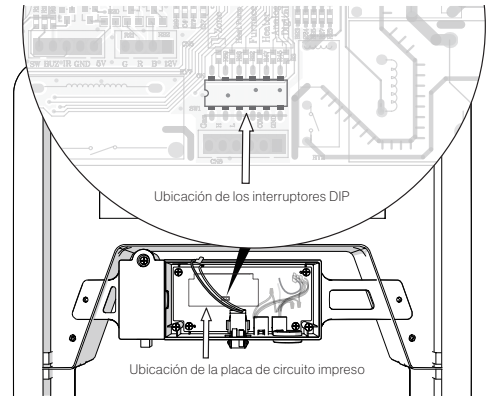
Ubicación de los interruptores DIP

Los interruptores DIP se ubican en la placa de circuito impreso de la caja de control. Cada vez que desee configurar el DIP, debe abrir la caja de control y buscar los interruptores DIP.

- Retire la tapa de la caja de control y busque la placa de circuito impreso.



- Detecte la posición de los interruptores DIP en la placa de circuito impreso.



Ajustes de los interruptores DIP

⚠ PELIGRO

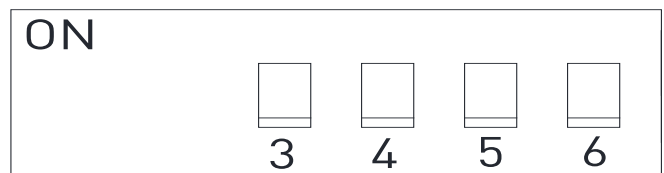
Peligro de descarga eléctrica

Desconecte la corriente eléctrica antes de realizar el mantenimiento. La inobservancia de esta advertencia podría provocar la muerte o lesiones graves.

- Corte la energía eléctrica al configurar los interruptores DIP. Asegúrese que toda la alimentación de 115 V CA y 12 V CC al panel de control esté interrumpida.
- Use una herramienta pequeña y deslice el interruptor DIP a la posición ON/OFF (Encendido/Apagado).

NOTA: Si hay 12 V+ al realizar el cambio de ajustes, es preciso dar energía al sistema para restablecer el control a fin de activar el ajuste.

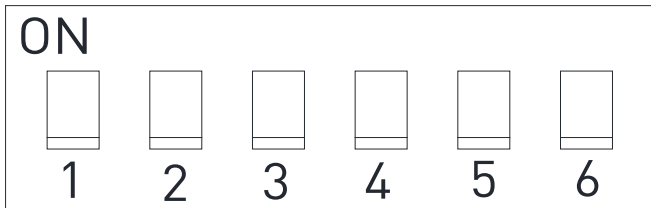
Interruptores DIP para una sola zona



Bomba térmica (modelos seleccionados)	DIP 3	Reservada	
Horno	DIP 4	APAGADO	Horno apagado
		ENCENDIDO	Horno encendido
Calor eléctrico (modelos seleccionados)	DIP 5	APAGADO	Calor eléctrico apagado
		ENCENDIDO	Calor eléctrico encendido
Analogico/Digital	DIP 6	APAGADO	Digital
		ENCENDIDO	Analogico

Interruptores DIP multizona

- Cada zona necesita una caja de control independiente en el cielo raso, pero todas compartirán un control del termostato de pared.
- Es importante configurar cada zona independiente a un valor de zona única (1 a 4) ajustando el DIP 1 y el DIP 2 para evitar repetición y conflictos de comunicación con el control del termostato de pared.



Selección de zona*		DIP 1	DIP 2	Ajuste de la ZONA
		APAGADO	APAGADO	ZONE1
		APAGADO	ENCENDIDO	ZONE2
		ENCENDIDO	APAGADO	ZONE3
		ENCENDIDO	ENCENDIDO	ZONE4
Bomba térmica (modelos seleccionados)	DIP 3	Reservada		
Horno	DIP 4	APAGADO	Horno apagado	
		ENCENDIDO	Horno encendido	
Calor eléctrico (modelos seleccionados)	DIP 5	APAGADO	Calor eléctrico apagado	
		ENCENDIDO	Calor eléctrico encendido	
Analógico/Digital	DIP 6	APAGADO	Digital	
		ENCENDIDO	Analógico	

Conexión de cables - Termostato/ Controlador digital de pared Furrion

⚠ PELIGRO

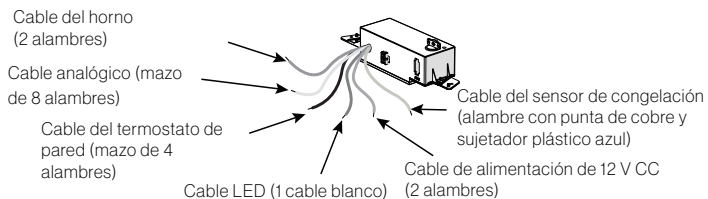
Peligro de descarga eléctrica

- Desconecte la corriente eléctrica antes de realizar el mantenimiento.
- Conecte a tierra de acuerdo con todos los códigos eléctricos correspondientes.

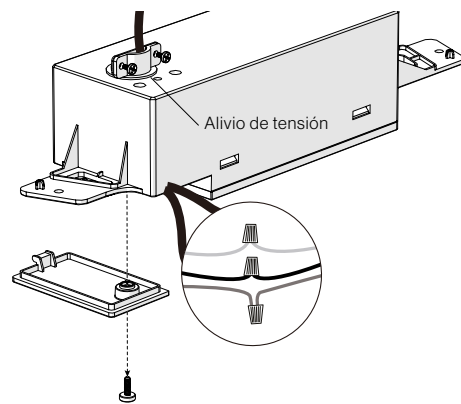
La inobservancia de esta advertencia podría provocar la muerte o lesiones graves.

1. Familiarícese con el controlador del cielo raso y los mazos de cables.

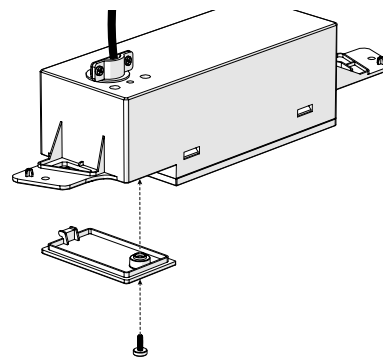
NOTA: Al conectarse a un termostato/controlador de pared Furrion, no se utiliza el mazo de cables analógico y se puede ocultar. No es necesario recubrir o colocar cinta en los extremos.



2. Afloje el liberador de tensión y la tapa del compartimiento de la caja de control, pase el cable de alimentación de 115 V CA a través del orificio del liberador de tensión y vuelva a ajustar la abrazadera del cable hasta que quede retenida de manera adecuada. No ajuste en exceso.
3. Conecte los cables siguiendo los códigos de color que constan a continuación.
Negro: activo
Blanco: neutro
Amarillo/verde: tierra

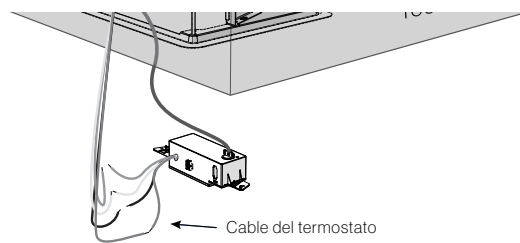


4. Coloque todos los cables dentro del compartimiento para cables y pliegue hacia arriba los excesos de cable. Ajuste la tapa con tornillos.

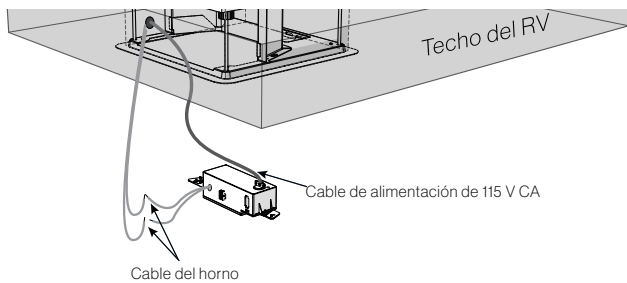


5. Localice los cuatro cables del termostato en la caja de control (rojo, verde, azul y violeta), los cuales están unidos y etiquetados con "To wall thermostat" (Al termostato de pared), y conéctelos al cable del termostato que se extiende hasta la pared.

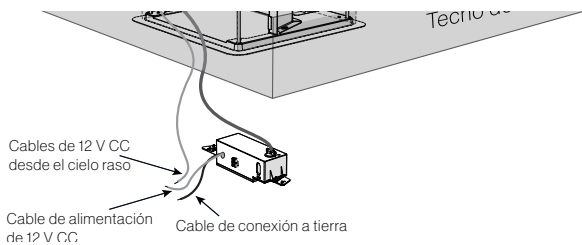
IMPORTANTE: Tome nota de la función marcada en el extremo del cable y, con cuidado, siga su curso y marque su función en el extremo de la extensión del cable para poder conectarlo correctamente en el termostato/controlador de pared. Cruzar los cables podría generar el funcionamiento incorrecto del control o, incluso, causar daños. Si no está seguro, realice la prueba de continuidad en cada extensión para confirmar.



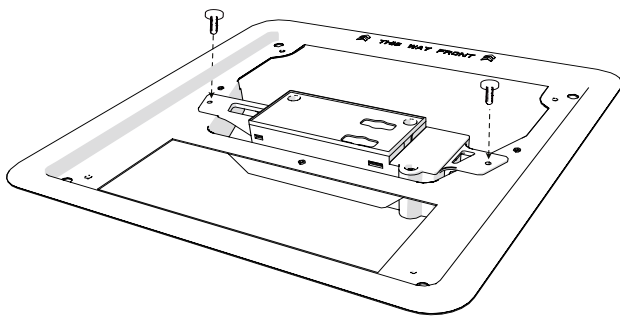
6. Si corresponde, localice los cables del horno desde el controlador del cielo raso, los cuales son dos cables marrones distintos etiquetados con "FURN" (Horno). Conéctelos con el cable de 12 V+ que sale del horno y el cable de retorno hacia horno.
NOTA: La polaridad no es relevante; la conexión se puede hacer libremente a cualquier cable. No conecte dos cables marrones "FURN" (Horno) juntos.



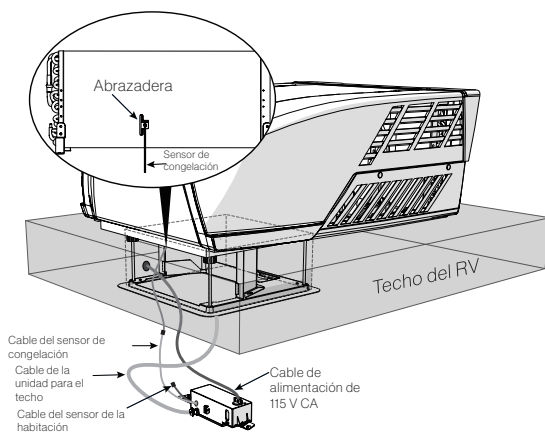
- Localice el cable de alimentación de 12 V CC (rojo, etiquetado con **"+12 VDC"** [+12 V CC]) y el cable a tierra (negro, etiquetado con **"Ground (12 VDC)"** [Tierra - 12 V CC]) de la caja de control. Conéctelos con el cable de 12 V CC correspondiente, preparado en el cielo raso.



- Instale la caja de control sobre el armazón de montaje y fíjela con 2 tornillos "cortos" proporcionados (uno a cada lado).



- Pegue el sensor de congelación en el la parte inferior central del evaporador. Luego, inserte la abrazadera en el evaporador entre las aletas para fijar el sensor de congelación.



Conexión de cables - multizona

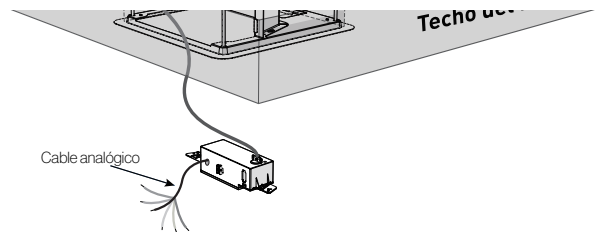
- Determine la identificación de la zona para cada controlador del cielo raso y configure los interruptores DIP de manera adecuada según la sección de selección del interruptor DIP.
- Elija la zona correspondiente para operar el horno. Para todos los demás controladores del cielo raso, configure el interruptor DIP del horno a "off" (apagado) para evitar una comunicación incorrecta.
- Repita los pasos del cableado descritos para el controlador de una sola zona para cada controlador de pared independiente.

- Combine todos los cables etiquetados con "To wall thermostat" (Al termostato de pared) para que todas las zonas estén conectadas y las funciones de cada cable coincidan. Solo se debe hacer un punto de conexión directamente al termostato/controlador de pared. Asegúrese de que no se mezclen las funciones de los cables en las conexiones.

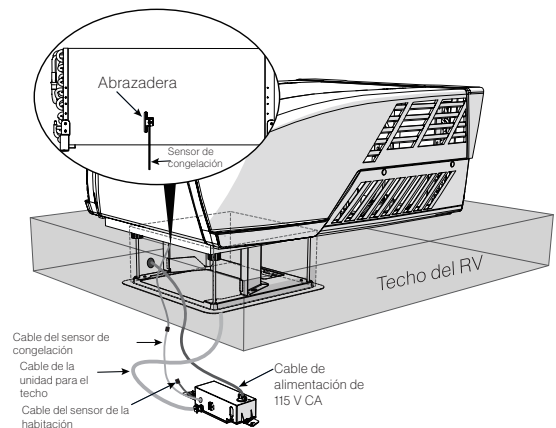
Conexión analógica

La conexión analógica solo está destinada para ser utilizada con OneControl® proporcionado por Lippert Control Systems. Esta permite la conexión directamente a módulo de control de la calefacción, la ventilación y el aire acondicionado (Heating, Ventilation, Air conditioning, HVAC) sin usar una caja de acceso por separado. Para realizar las conexiones de manera adecuada:

- Active el mazo analógico encendiendo el interruptor DIP como se indica en la sección de selección del interruptor DIP. Esto desactivará el mazo digital del termostato de pared.

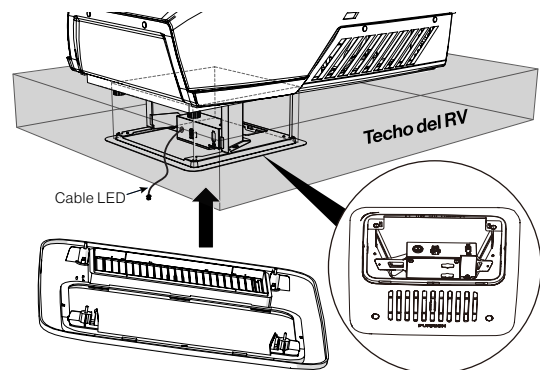


- Conecte la función del mazo de acuerdo con las instrucciones de OneControl®.
- Conecte el sensor de congelación.



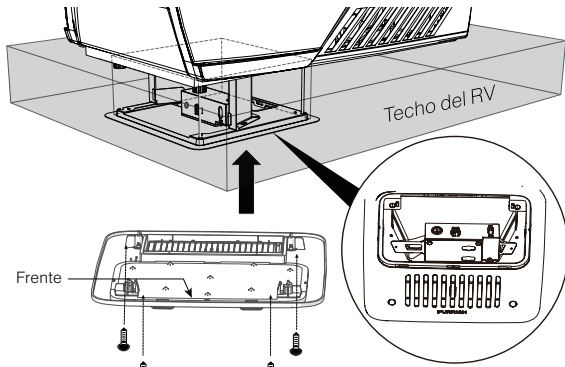
Instalación final

- Esconda/aparte el cable LED (línea blanca, etiquetada con **"LED"**). Este cable se reserva para opciones de iluminación.

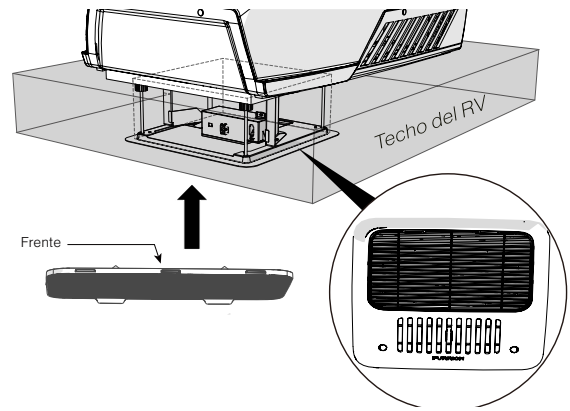


- Instale la cubierta de la caja de distribución de aire (Air Distribution Box, ADB) sobre el armazón de montaje y fíjela con los 4 tornillos largos proporcionados. También se pueden usar 8 tornillos de cabeza chanfleada de 1.5" (38 mm) (máx.) en el RV.

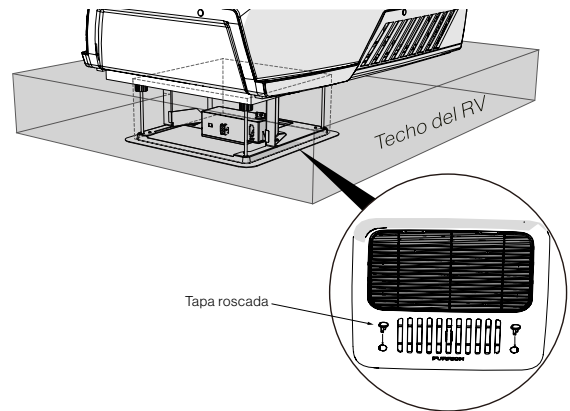
NOTA: Asegúrese de que la marca que indica "THIS WAY FRONT" (ESTE LADO HACIA ADELANTE) esté orientada hacia adelante (la dirección del vehículo) durante la instalación.



3. Alinee las lengüetas del filtro con las ranuras de acoplamiento y empuje para encajar los filtros dentro de la cubierta de la ADB.



4. Instale las tapas roscadas para cubrir los orificios de los tornillos.



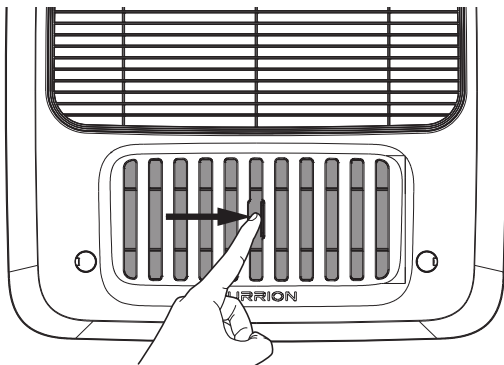
Ahora su nuevo aire acondicionado para techo está completamente instalado en el techo del RV.

FUNCIONAMIENTO

Sistemas con conductos

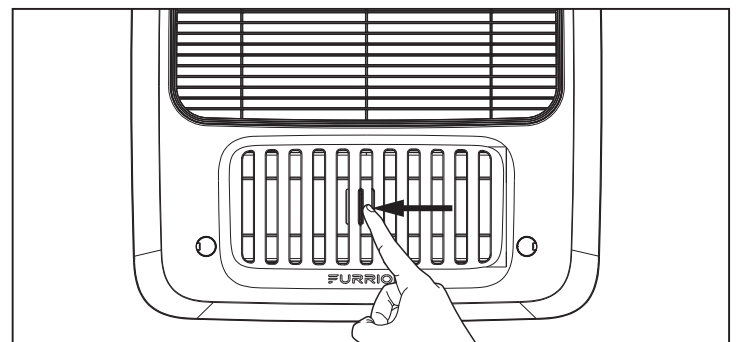
Uso normal con conductos

Para distribuir aire a través de un sistema con conductos, cierre el obturador de aire empujando la lengüeta hacia la derecha para presurizar el trabajo con los conductos.



Frío máx.

Para liberar gran cantidad de calor, abra el obturador de aire para "verter" el aire frío directamente debajo del aire acondicionado. Esto eliminará aire y generará la pérdida de calor en el sistema con conductos, y maximizará el rendimiento del enfriamiento. Una vez que el ambiente esté agradable, cierre el obturador para distribuir de manera uniforme con el sistema con conductos. Abra y cierre el obturador empujando la lengüeta hacia la izquierda y hacia la derecha.



Sistema sin conductos

Abra el obturador para liberar aire.

Uso del termostato

Según la versión del termostato de pared que seleccionó. Consulte el manual de instrucciones por separado para saber cómo operar el sistema de aire acondicionado del RV.

LIMPIEZA Y MANTENIMIENTO

Un filtro bloqueado afectará el rendimiento del enfriamiento y la calefacción de la unidad de manera significativa.

Se debe limpiar el filtro de manera periódica para garantizar que no se tape con suciedad y otras partículas. El estado del filtro se puede verificar a partir de su aspecto. Si parece estar sucio u obstruido, es necesario limpiarlo.

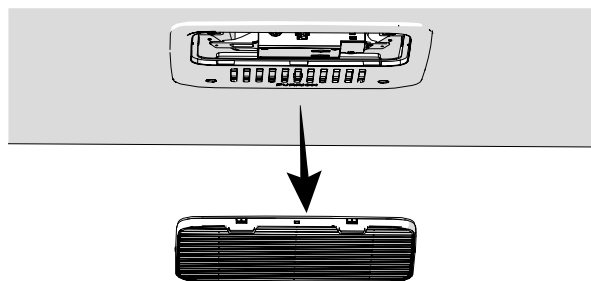
⚠ ADVERTENCIA

Las partículas transportadas por el aire pueden representar un riesgo para la salud, en especial para los niños pequeños y los adultos mayores. Limpie los filtros en un área segura y bien ventilada.

Para limpiar el filtro

Se debe limpiar el filtro cada cuatro semanas o más cuando está en uso. El uso prolongado, las concentraciones más elevadas de partículas transportadas por el aire y varios otros factores pueden hacer que sea necesario realizar una limpieza más frecuente.

1. Retire los filtros empujando las lengüetas para liberarlos. (Fig. 29)



2. El filtro se puede lavar con agua tibia jabonosa. Se debe tener cuidado de no rasgar la tela.
3. Reemplace los filtros y la placa de decoración invirtiendo el proceso anterior.

NOTA: Se debe dejar secar el filtro por completo antes de volver a instalarlo.

Para reemplazar el filtro

Los cambios de filtro deben realizarse según el uso. Se recomienda cambiarlo al menos cada 12 meses. Nunca opere el sistema de aire acondicionado sin un filtro, ya que esto puede disminuir el rendimiento y la calidad del aire en el interior.

Los filtros de aire de retorno de reemplazo se pueden pedir directamente a Furrion.

SOLUCIÓN DE PROBLEMAS

Problema	Causa	Solución
El aire acondicionado para techo se enciende solo	El sensor de congelación se ha activado.	La temperatura exterior es demasiado baja o todas las boquillas de aire están cerradas.
No enfría bien	El aire acondicionado para techo no está configurado en frío.	Configure el aire acondicionado para techo en frío.
	La temperatura configurada es demasiado alta.	Seleccione una temperatura más baja.
	El ventilador del evaporador está dañado.	Comuníquese con un agente de servicio autorizado o con Furrion (consulte la información de contacto detallada en el reverso de este manual).
	El ventilador del condensador está dañado.	Comuníquese con un agente de servicio autorizado o con Furrion (consulte la información de contacto detallada en el reverso de este manual).
	Las rejillas de toma de aire están bloqueadas u obstruidas.	Retire todas las hojas y cualquier otra suciedad de las rejillas de ventilación del aire acondicionado para techo.
	El soplador es defectuoso.	Comuníquese con un agente de servicio autorizado o con Furrion (consulte la información de contacto detallada en el reverso de este manual).
Ingresa agua al vehículo	Los orificios de drenaje de agua de condensación están obstruidos.	Limpie el agua de condensación de los orificios de drenaje.
	Los sellos están dañados.	Comuníquese con un agente de servicio autorizado o con Furrion (consulte la información de contacto detallada en el reverso de este manual).
El aire acondicionado para techo no enciende.	No hay voltaje de alimentación conectado.	Verifique el suministro de energía.
	El voltaje es demasiado bajo.	Comuníquese con un agente de servicio autorizado o con Furrion (consulte la información de contacto detallada en el reverso de este manual).
	El fusible se quemó o el protector del circuito se activó.	Verifique el fusible eléctrico del suministro de energía.

ESPECIFICACIONES

	FACR13HESA-** FACR13HESA-**-AM	FACR14SA-** FACR14SA-**-AM	FACR15SA-** FACR15SA-**-AM	FACR15HESA-** FACR15HESA-**-AM
Capacidad de enfriamiento (Btu/h)	13500	14500	15500	15000
Deshumidificación	1.8	2.7	3.2	3.0
Largo del vehículo correspondiente (pies)	23	26	31	31
Refrigerante	R410A	R410A	R410A	R410A
Carga (Oz)	13.9	19.8	23.1	20.8
Dimensiones de la unidad para techo (L x An x Al) (pulgadas)	34 $\frac{1}{8}$ (88,58 cm) x 27 $\frac{1}{8}$ (70,16 cm) x 13 $\frac{1}{8}$ (34,60 cm)	34 $\frac{1}{8}$ (88,58 cm) x 27 $\frac{1}{8}$ (70,16 cm) x 13 $\frac{1}{8}$ (34,60 cm)	34 $\frac{1}{8}$ (88,58 cm) x 27 $\frac{1}{8}$ (70,16 cm) x 13 $\frac{1}{8}$ (34,60 cm)	34 $\frac{1}{8}$ (88,58 cm) x 27 $\frac{1}{8}$ (70,16 cm) x 13 $\frac{1}{8}$ (34,60 cm)
ELÉCTRICOS				
Voltajes/Frecuencia	115 V~/60 Hz/1 Ph	115 V~/60 Hz/1 Ph	115 V~/60 Hz/1 Ph	115 V~/60 Hz/1 Ph
Vataje de potencia (Enfriamiento)	1283	1620	1720	1760
Amperios (Enfriamiento)	11.3	14.6	15.4	15.6
Calibre mín. del cable de alimentación (mm ²)	12 CAE	12 CAE	12 CAE	12 CAE
** Color del producto				

DIAGRAMA DE CABLEADO

⚠ PELIGRO

Peligro de descarga eléctrica

- Desconecte la corriente eléctrica antes de realizar el mantenimiento. La inobservancia de esta advertencia podría provocar la muerte o lesiones graves.
- Conecte a tierra de acuerdo con todos los códigos eléctricos correspondientes. La inobservancia de esta advertencia podría provocar la muerte o lesiones graves.

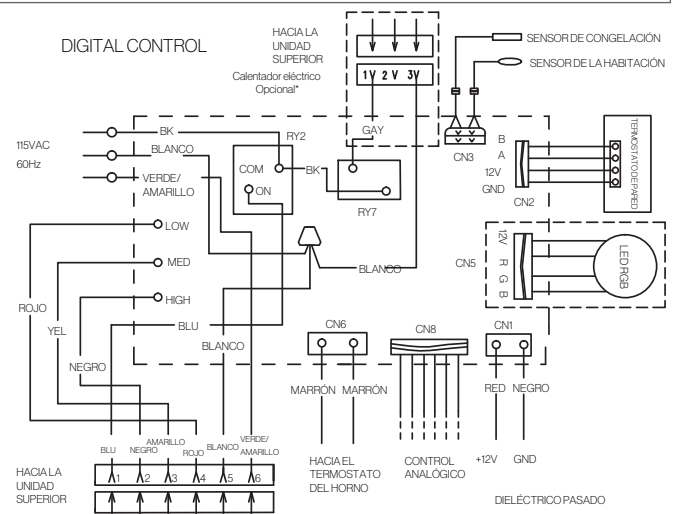
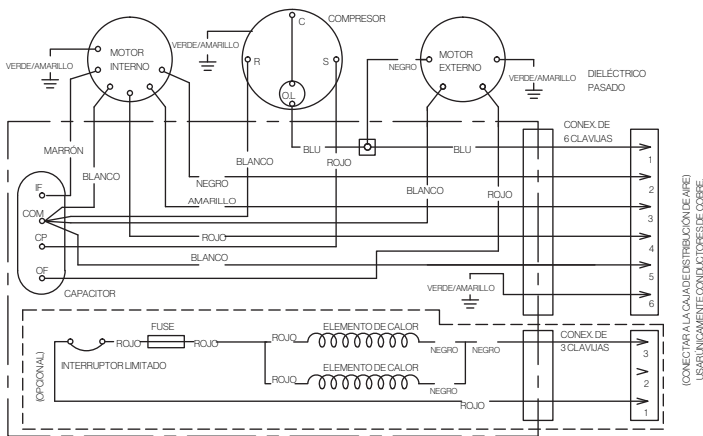
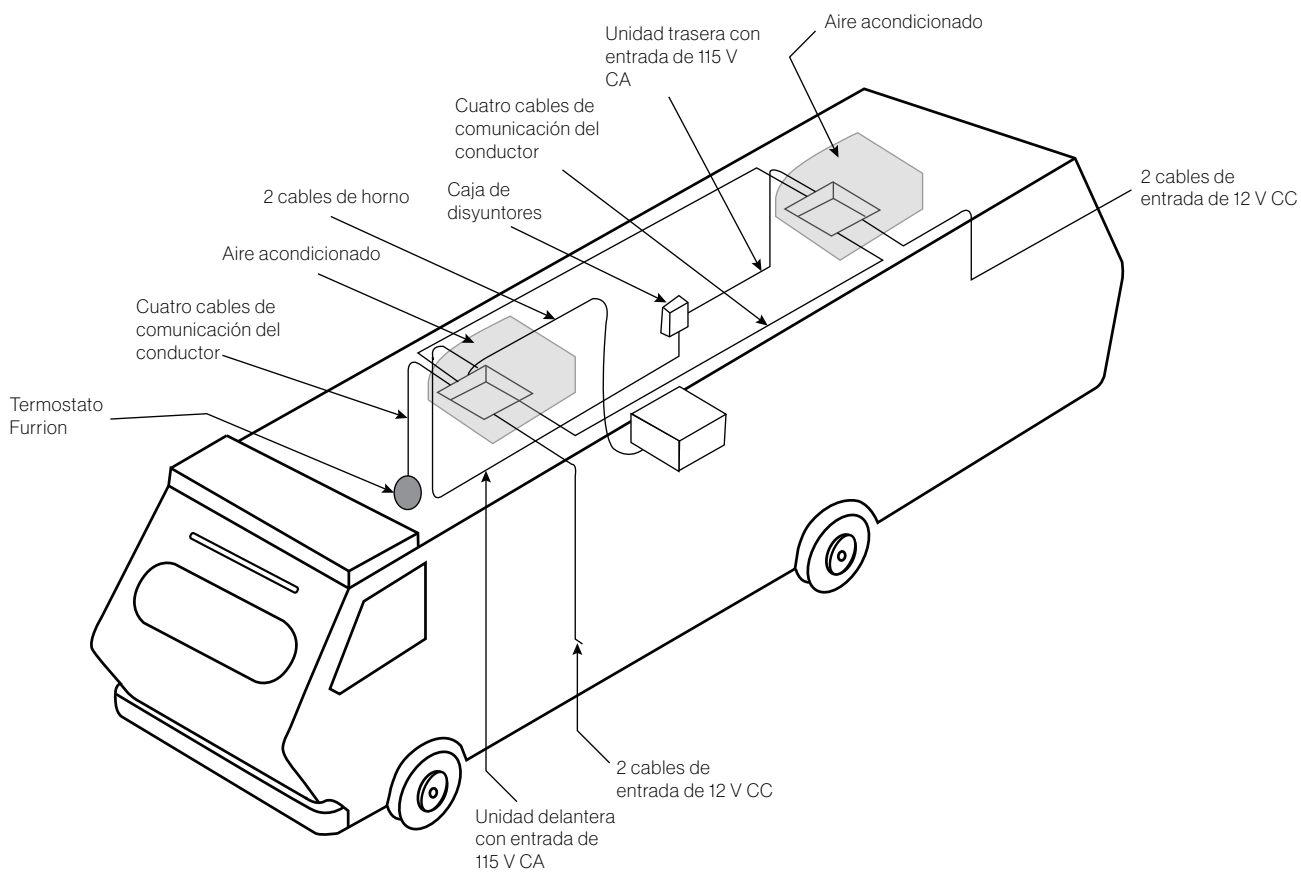


Diagrama de cableado multizona





The contents of this manual are proprietary and copyright protected by Lippert. Lippert prohibits the copying or dissemination of portions of this manual unless prior written consent for an authorized Lippert representation has been provided. Any unauthorized use shall void any applicable warranty. The information contained in this manual is subject to change without notice and at the sole discretion of Lippert. Revised editions are available for free download from lippert.com.

Please recycle all obsolete materials.

For all concerns or questions, please contact Lippert
PhL 432-LIPPERT (432-547-7378) | Web: lippert.com | E-mail: customerservice@lci1.com