

ROOFTOP AIR CONDITIONER WITH MANUAL CONTROL CLIMATISATION DE TOIT AVEC COMMANDE MANUELLE AIRE ACONDICIONADO PARA TECHO CON CONTROL MANUAL

MODEL/MODÈLE/MODELO :FACR13HESA-**, FACR13HESA-**-A
FACR14SA-**, FACR14SA-**-AM, FACR15SA-**, FACR15SA-**-AM
FACR15HESA-**, FACR15HESA-**-AM, FACT11CA-** FACT11CA-**-OEM

USER MANUAL/MANUEL DE L'UTILISATEUR/MANUAL DEL USUARIO



- * Picture shown here is for reference only.
- * L'image présentée ici n'est qu'une référence.
- * La imagen que se muestra es solo como referencia.

Furrion Model No.	Lippert No.
FACR13HESA-PS	2021132276
FACR13HESA-BL	2021130013
FACR13HESA-PS-AM	2021132277
FACR13HESA-BL-AM	2021132275
FACR14SA-PS	2021123613
FACR14SA-BL	2021123563
FACR14SA-PS-AM	2021123705
FACR14SA-BL-AM	2021123707
FACR15SA-PS	2021123799

Furrion Model No.	Lippert No.
FACR15SA-BL	2021123630
FACR15SA-PS-AM	2021123793
FACR15SA-BL-AM	2021123708
FACR15HESA-PS	2021130009
FACR15HESA-BL	2021130010
FACR15HESA-PS-AM	2021130011
FACR15HESA-BL-AM	2021130008
FACT11CA-PS	2021123784
FACT11CA-PS-OEM	2022007394

Thank you for purchasing this Furrion® product. Before operating your new appliance, please read these instructions carefully. This instruction manual contains information for safe use, installation and maintenance of the appliance.

Please keep this instruction manual in a safe place for future reference. This will ensure safe use and reduce the risk of injury. Be sure to pass on this manual to new owners of this appliance.

The manufacturer does not accept responsibility for any damages due to not observing these instructions.

CONTENTS

EXPLANATION OF SYMBOLS.....	2
IMPORTANT SAFETY INSTRUCTIONS.....	2
Handling the device.....	2
Handling Electrical Cables.....	3
BEFORE INSTALLING	3
What's in the Box.....	3
Choosing Proper Location for the Air Conditioner	3
Roof Preparation.....	4
Air Distribution Duct Sizing and Design	5
Air Distribution System Installation.....	5
Laying the Connecting Cables.....	5
INSTALLATION.....	6
Installing the Rooftop Unit.....	6
Installing the Air Distribution Box.....	6
OPERATION	9
Change the Operating Mode	9
Set the Temperature	9
Defrosting & Anti-Freezing Instructions.....	9
CLEANING AND MAINTENANCE	10
TROUBLESHOOTING	11
SPECIFICATIONS.....	11
WIRING DIAGRAM.....	12

EXPLANATION OF SYMBOLS

This manual has safety information and instructions to help you eliminate or reduce the risk of accidents and injuries. Always respect all safety warnings identified with these symbols. A signal word will identify safety messages and property damage messages, and will indicate the degree or level of hazard seriousness.

DANGER

Indicates an imminently hazardous situation which, if not avoided, will result in death or serious injury.

WARNING

Indicates a potentially hazardous situation which, if not avoided, could result in death or serious injury.

CAUTION

Indicates a potentially hazardous situation which, if not avoided, may result in minor or moderate personal injury, or property damage.

English

IMPORTANT SAFETY INSTRUCTIONS

This manual has safety information and instructions to help users eliminate or reduce the risk of accidents and injuries. Please read this instruction manual carefully before installation and start-up, and store it in a safe place for future reference. If you pass on the device to another person, hand over this instruction manual along with it.

The manufacturer accepts no liability for damage in the following cases:

- Faulty assembly or connection
- Damage to the product resulting from mechanical influences and excess voltage
- Alterations to the product without express permission from the manufacturer
- Use for purposes other than those described in the operating manual.

The following basic safety information should be heeded when using electrical devices to protect against:

- Electric shock
- Fire hazards
- Injury

All Furrion product referenced in this manual is to be installed in accordance with local and national codes, including the latest editions of the following standards:

USA:

- NFPA 1192
- NFPA 70

Canada:

- C22.1
- CSA Z240

Handling the device

WARNING

- Installation and repair of the rooftop air conditioner must only be carried out by qualified personnel who are familiar with the risks involved and the relevant regulations. Inadequate repairs may cause serious hazards.
- Electrical devices are not toys. Keep electrical devices out of reach of children or elderly persons. Do not allow them to use electrical devices without supervision.
- Prevent inexperienced people from using the device without supervision.
- Do not undo the upper cover of the rooftop air conditioner in the event of a fire. Use approved extinguishing agents instead. Do not use water to extinguish fires.

CAUTION

- The rooftop air conditioner must be installed securely so that it cannot fall down.
- Only operate the rooftop air conditioner if you are certain that the housing and the cables are not damaged.
- Do not use the rooftop air conditioner near flammable fluids or in closed rooms.
- Make sure no combustible objects are stored or installed near the air outlet. A distance of at least 20" must be kept.
- Do not reach into air outlets or insert any foreign objects into the device.
- Only use the device as intended.
- Do not make any alterations or conversions to the device.
- If faults occur in the refrigerant circuit, the system must be checked by a certified service technician and repaired properly. The refrigerant must never be released into the air.

Handling Electrical Cables

⚠ WARNING

The electrical power supply must only be connected by a qualified electrician.

⚠ CAUTION

- Refer to NEC (National Electric Code) for proper sizing of wire gauge (awg) based on cable length and overcurrent protection rating that is supplying power to the air conditioner.
- See rooftop unit nameplate for proper overcurrent protection sizing.
- Attach and lay the cables so that they cannot be tripped over or damaged.

BEFORE INSTALLING

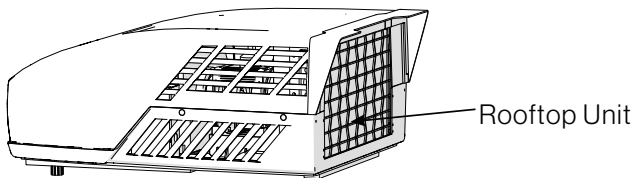
Read this installation manual completely before installing the rooftop air conditioner.

The following tips and instructions must be observed while installing the rooftop air conditioner.

What's in the Box

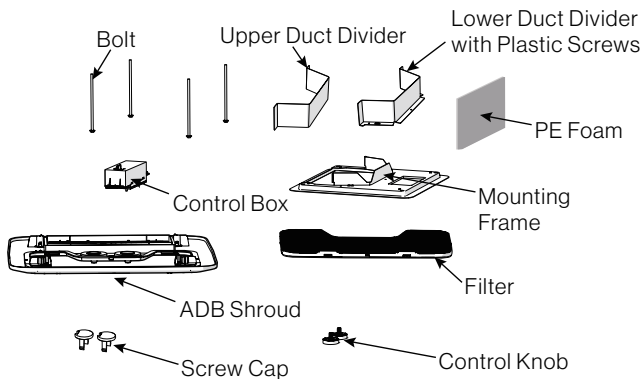
Open and remove the components from carton. Make sure you have all the following items included in the packaging, if any item is missing, contact your dealer.

Rooftop Unit (sold separately):



- Rooftop Unit x 1
- Warranty Manual x 1

Air Distributor Box:



- Upper Duct Divider x 1
- Lower Duct Divider x 1
- Bolt x 4
- Mounting Frame x 1
- Control Box x 1
- Air Distribution Box (ADB) Shroud x 1
- Filter x 1

- Only a qualified electrician should connect the rooftop air conditioner to electrical power.
- Do not lay loose or bent cables next to electrically conductive materials.
- Do not pull on the cables.
- Use cable ducts to lay cables through walls with sharp edges.
- Refer to rooftop unit nameplate and NEC for proper power supply rating.

- PE Foam x 1
- Control Knob x 2
- Self-tapping Screws x 4
- Screw Cap x 2
- Instruction Manual x 1
- Warranty Manual x 1

Choosing Proper Location for the Air Conditioner

IMPORTANT: The roof must be designed to support the weight of the rooftop unit and the weight of 2 installers standing on the roof.

There are two ways of installing the rooftop air conditioner:

1. Using the existing roof vent opening in the vehicle roof.
2. Making a new opening. In this case the opening should be reinforced by an appropriate frame as required.

Existing Roof Vent Opening

The air conditioner is designed to fit over an existing 14" roof vent opening.

New Opening

When no roof vent is available or another location is desired, the following is recommended:

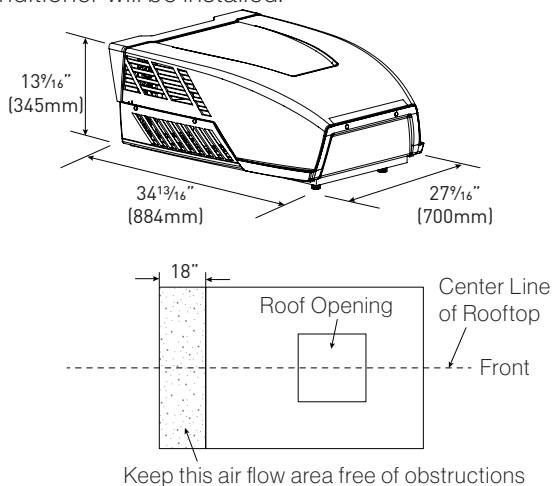
- For one unit installation - the air conditioner should be mounted slightly forward of center (front to back) and centered from side to side.
- For two unit installations, install one air conditioner one third from the front of the RV and the other air conditioner two thirds from the front of the RV, aligned in the center.

It is preferred that the air conditioner be installed on a relatively flat and horizontal roof section measured when the RV is parked on a level surface.

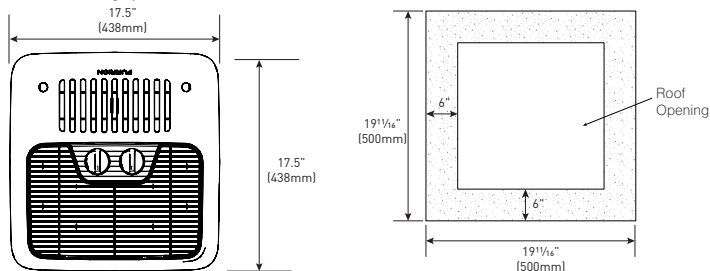
NOTE: A 15° slant to either side or front to back is acceptable for all units. If the roof exceeds 15° please use an exterior leveling shim to make air conditioner level.

After the Location Has Been Selected:

1. Check for obstructions in the area where the air conditioner will be installed.



2. Check the inside of the RV for return air kit obstructions. (i.e. door openings, room dividers, curtains, ceiling fixtures, etc.) Allow 6" (152mm) space from the opening to account for any potential return air kit obstructions.



Roof Preparation

Opening Requirements - Before preparing the ceiling opening, decide on the type of system options. Read all of the following instructions before beginning the installation.

⚠ WARNING

Fire/Electric Shock Hazard

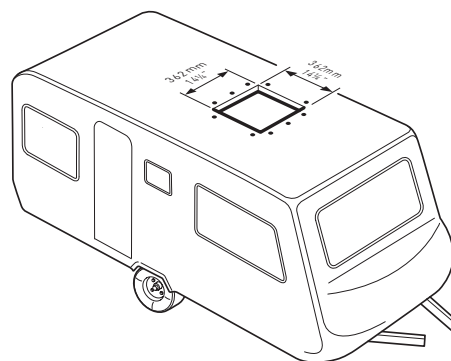
- Make sure there are no obstacles inside the RV roof, floor and walls, such as wires and pipes.
- Shut off the gas supply and disconnect the 115VAC power from the RV before drilling or cutting into the RV. Failure to obey these warnings could result in death or serious injury.

Roof Thickness

The installation of air conditioner suits for roof thickness from 3.5" (90mm) to 6" (152mm). For other thickness, please contact Furrion or Furrion authorized service agent.

Installing in an Existing Opening

1. Unscrew and remove the roof vent.
2. Remove all caulking compound around the opening.
3. If the opening exceeds 14 1/4" x 14 1/4" (+1/2"), it will be necessary to resize the opening to 14 1/4" x 14 1/4" (+1/2"). If the opening is less than 14 1/4" x 14 1/4" (+1/2"), it must be enlarged.

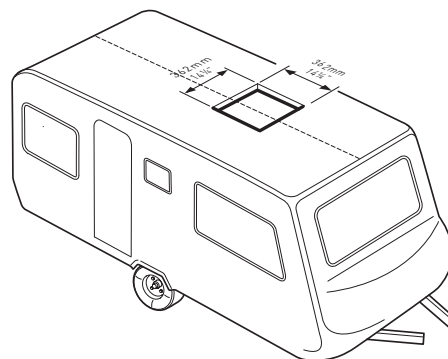


Making a New Opening

If a roof vent opening will not be used, a 14 1/4" x 14 1/4" (+1/2") (362mm x 362mm) opening must be cut through the roof and ceiling of the RV. This opening must be located between the roof reinforcing members.

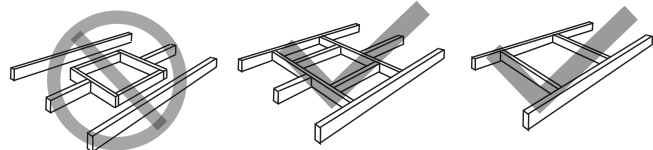
The 14 1/4" x 14 1/4" (+1/2") opening is part of the return air system of the air conditioner and must be finished in accordance with NFPA Standard 501C Section 2.7.2.

1. Mark a 14 1/4" x 14 1/4" (+1/2") square on the roof and carefully cut an opening.



2. Using the roof opening as a guide, cut a matching hole in the ceiling.

NOTE: Maintain structural integrity. Otherwise damage to product and/or RV could occur. Always observe the following guidelines while structuring the opening.



Do not cut roof structure or rafters

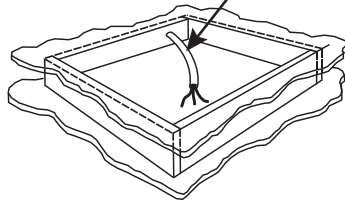
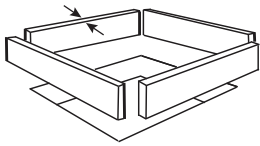
Good: rafters supported by cross beams

Good: location between roof rafters

3. The opening created must be framed to provide adequate support and prevent air from being drawn from the roof cavity.
4. Lumber 3/4" or more in thickness must be used. Remember to provide an entrance hole for power supplies, wall thermostat and furnace wiring for connections. Leave 15" (381mm) minimum at the front of the opening.

3/4" Min.
(19.05 mm)

Leave access for
power supply wiring



Air Distribution Duct Sizing and Design

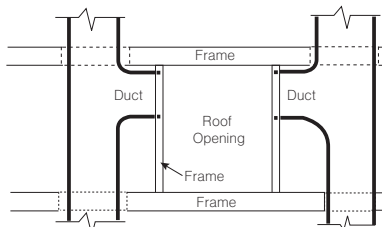
The installer of this system must design the air distribution system for their particular application.

NOTE: Make sure ductwork will NOT bend or collapse during and after installation, and that it is correctly insulated and sealed. Otherwise, damage to roof structure and ceiling could occur.

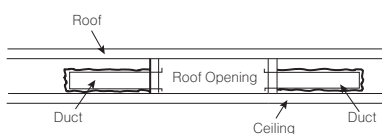
The following requirements must be met for properly operate the unit:

Roof Cavity Depth	3.5"-6" (89mm-152mm)	
Duct Cross Sectional Area	21 Sq. In. Min.	
Duct Size	Depth	1½" Min. - 2½" Max. (38mm Min. - 63.5mm Max.)
	Width	7" Min. - 10" Max. (178mm Min. - 254mm Max.)
	Total Duct Length	15Ft. Min. - 40Ft. Max. (4.5m - 13m)
	Duct Length (short run)	1/3 Total Duct Length
Register Requirements per A/C Unit	Number Required	4 Min. - 8 Max.
	Supply Register Free Air Area	14 Sq. In. (90 sq. cm)
	Return Register Free Air Area	40 Sq. In. (258 sq. cm)
	Distance From Duct End	5" Min. - 8" Max. (127mm Min. - 203mm Max.)
	Distance From Elbow	15" (381mm)
Total System Static Air Pressure	Blower at High Speed, Filter & Grille In Place	0.55 - 1.10 In. W.C.

- Properly insulate and seal all discharge air ducts to prevent condensation from forming on their surfaces or adjacent surfaces during operation of the unit. This insulation must be R-7 minimum.



TOP VIEW (BACK OF RV)



SIDE VIEW (TOWARD BACK OF RV)

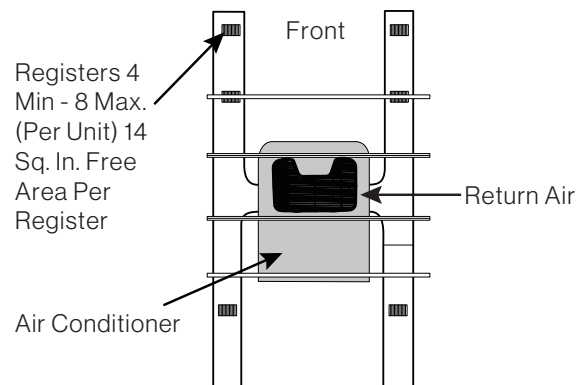
- Return air openings must have 80 square inches (516 square centimeters) minimum free area including the filter.
- Return air to the unit must be filtered to prevent dirt accumulation on the unit cooling surface.

Air Distribution System Installation

It is the responsibility of the installer to review each RV floor plan to determine the following items in conjunction with "Air Distribution Duct Sizing and Design" section

NOTE: Alternate configurations and methods may be used which will allow the unit to operate properly, however, these alternate configurations and methods MUST be approved by Furrion in writing.

- Duct size
- Duct layout
- Register size
- Register location
- Thermostat location
- Indoor temperature sensor location (if applicable)



Laying the Connecting Cables

The rooftop air conditioner must be connected to an electric circuit which is able to supply the required power supply (see chapter "Specification").

NOTE: The supply wire must be located in the front portion of the roof opening. The power supply must be equipped with a time delay fuse or circuit breaker. See rooftop unit nameplate for rating.

⚠ DANGER

Electrical Shock Hazard

- Disconnect power before servicing. Failure to obey this warning could result in death or serious injury.
- Provide grounding in compliance with all applicable electrical codes. Failure to obey this warning could result in death or serious injury.

Refer to the applicable electric code guidelines for sizing the appropriate wire gauge, length and type.

- Route a 115VAC supply wire with ground wire from the time delay fuse or circuit breaker box to the roof opening.
NOTE: Refer to rooftop unit nameplate and applicable code for proper installation.
- Use approved method to protect the wire where it passes through the opening.
- Feed the 115VAC cable through the opening into the vehicle interior. Make sure at least 15" (381mm) of supply wire extends into the roof opening. This ensures an easy connection at the control box.

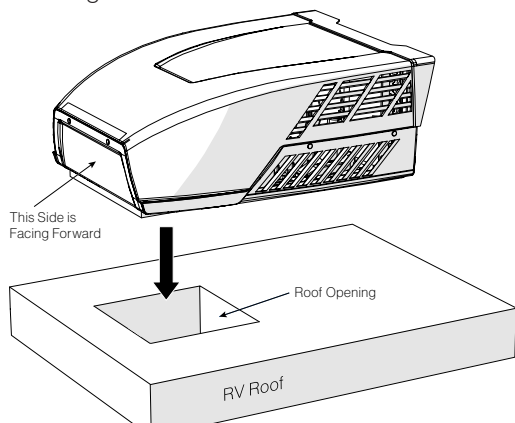
INSTALLATION

Installing the Rooftop Unit

⚠ CAUTION

- The rooftop unit weighs approximately 100 pounds (45 kg). To prevent back injury, use a mechanical hoist when lifting or moving the unit. Failure to obey this warning could result in injury.
- Do not slide unit. It may damage the gasket at the bottom of the rooftop unit and cause leakage.
- Do not grasp the ventilation slots to lift the rooftop unit up.

Hold the bottom of the unit, lift and position the rooftop unit into the prepared opening using the gasket at the bottom of the rooftop unit as a guide.



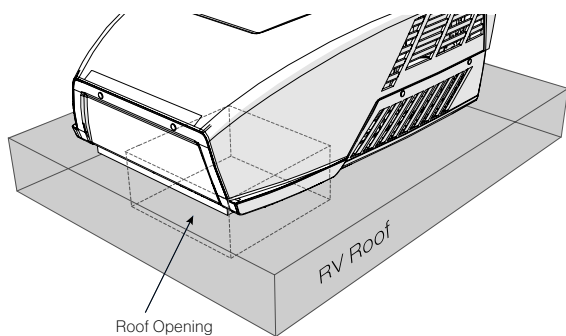
This completes the outside installation of the rooftop unit. Minor adjustments can be done from inside of the RV if required.

Installing the Air Distribution Box

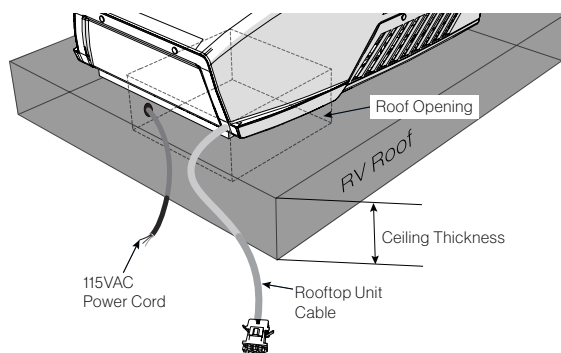
NOTE: The installation of the air distribution box is same for both ducted and non-ducted structures.

The rooftop unit is fixed on the RV roof using 4 long bolts through the mounting frame from the interior of the RV ceiling.

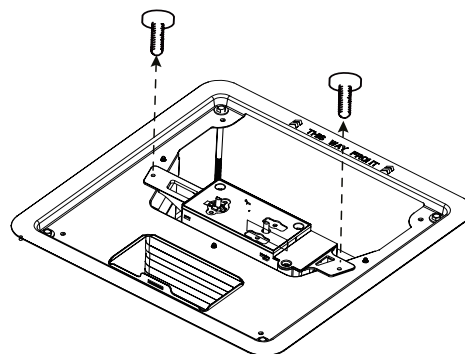
1. Check the gasket alignment of the rooftop unit inside the RV over the roof opening and adjust as necessary by lifting and moving slightly.



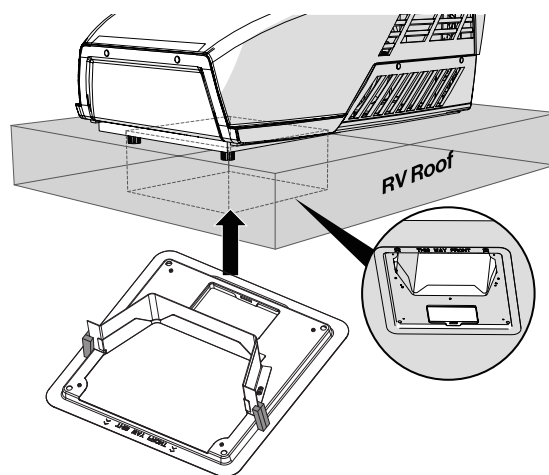
2. Reach up into the return air opening and pull the rooftop unit electric cord and 115VAC power cord down from the cutout area for later connection.



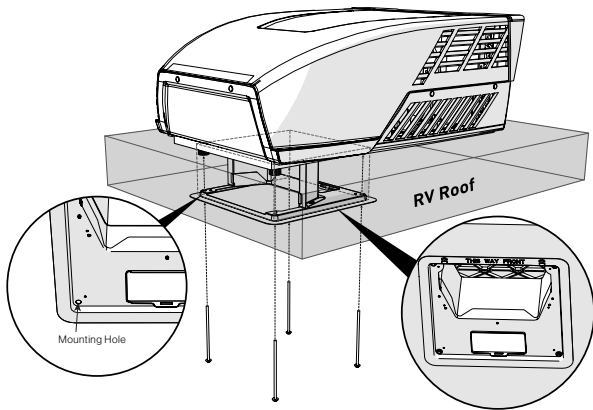
3. Remove the control box off the mounting frame by unscrewing the two screws on the supporters of the control box.



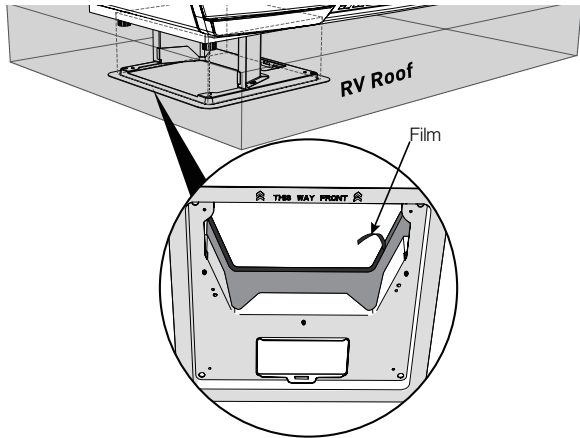
4. Install the assembled mounting frame and the lower duct divider into the rooftop opening. Make sure the **"THIS WAY FRONT"** mark is facing front (the direction of the vehicle) while installing.



5. Fix the assembled mounting frame and lower duct divider into the rooftop unit using 4 bolts provided. Evenly tighten the four bolts to a torque of 40 to 50 inch pounds. This will compress the roof gasket to approximately 1/2".
NOTE: If bolts are left loose there may not be an adequate roof seal or if over tightened, damage may occur to the rooftop base or mounting frame.

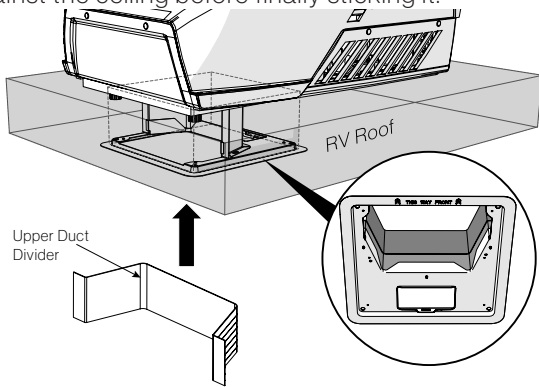


6. Pull to remove the film off the double sided sticky tape on the inner side of the lower duct divider.

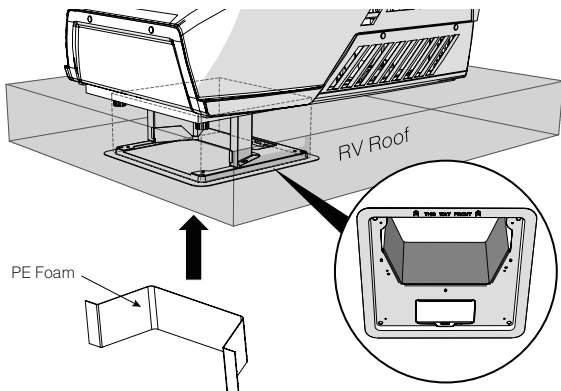


7. Stick the upper duct divider into the assembled mounting frame.

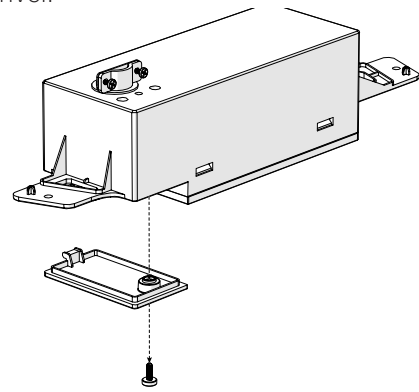
NOTE: Make sure the upper duct divider is pressing against the ceiling before finally sticking it.



8. Peel to remove the release paper from the PE foam, overlap the sticky side over all gaps and compress to seal and insulate the entire section.



9. Remove the cable compartment cover using a Phillips screw driver.



⚠ DANGER

Electrical Shock Hazard

- Disconnect power before servicing. Failure to obey this warning could result in death or serious injury.
- Provide grounding in compliance with all applicable electrical codes. Failure to obey this warning could result in death or serious injury.

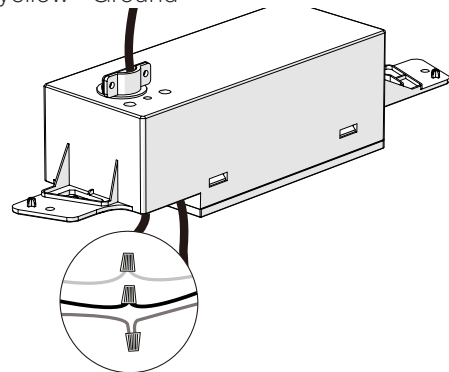
10. Loosen the cable clip on top of the control box and let the 115VAC power cord pass through the cable clip. Make the 115VAC power supply connection to the control box and ensure they are properly insulated by using twist caps.

NOTE: Always follow the color code while connecting the cables.

Black - Hot

White - Neutral

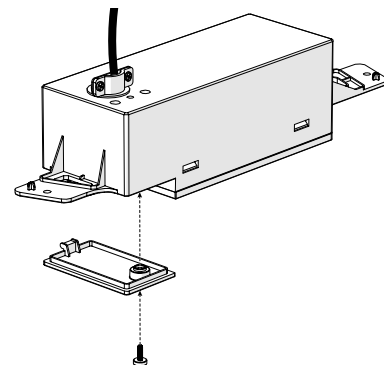
Green/yellow - Ground



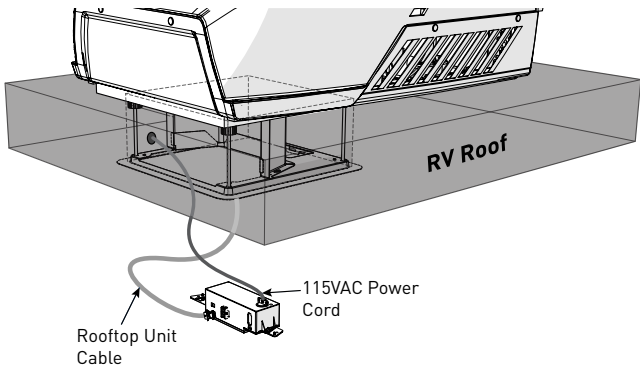
11. Tighten the cable clip until the cable is snapped tightly.

NOTE: Do not over tighten.

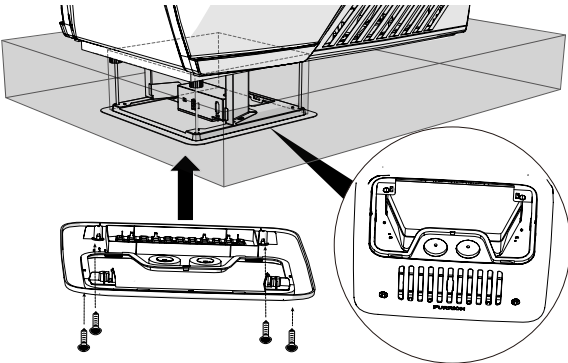
12. Fit all cables into the cable compartment and tuck any excess wires up out of the way. Tighten the cover with screw.



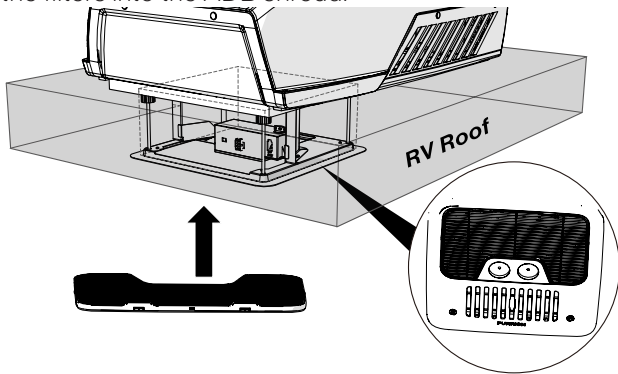
13. Connect the wires of the rooftop unit cable to the control box. 115VAC power cord connects to 115VAC power source.



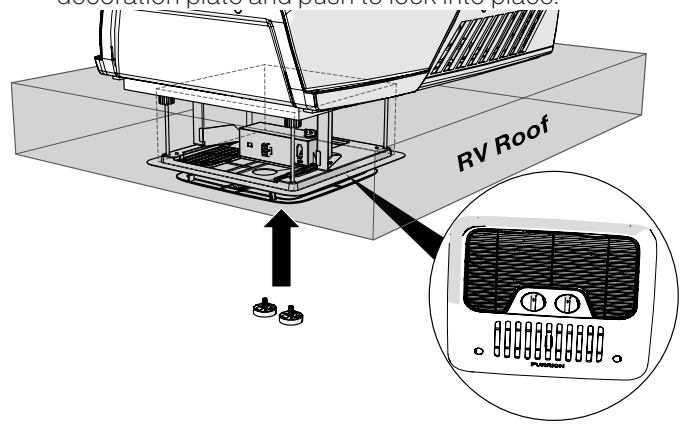
14. Install the Air Distribution Box (ADB) shroud over the mounting frame and fix with 4 self-tapping screws.
NOTE: Make sure the "THIS WAY FRONT" mark is facing front (the direction of the vehicle) while installing.



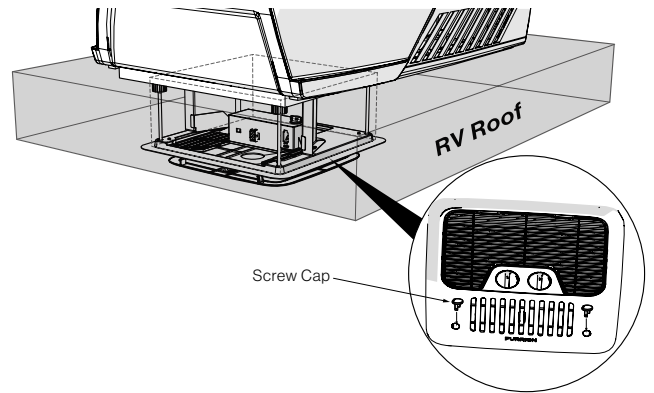
15. Align the filter tabs with mating notches and push to snap the filters into the ADB shroud.



16. Install the two control knobs through holes on the decoration plate and push to lock into place.



17. Install the screw caps to cover the screw holes.



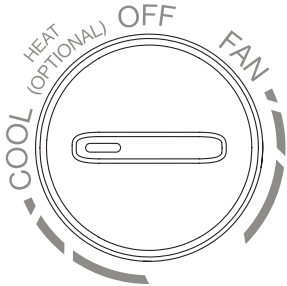
Your new rooftop air conditioner has now been fully installed in the RV roof.

OPERATION

Your new rooftop air conditioner is designed with 2 control knobs which allow you to set the temperature set-point and change the operating mode of the air conditioner.

Change the Operating Mode

Rotate the operating control mode knob to select the desired operating mode. There are 3 available operating modes for you to select.



FAN MODE

Rotate the operating mode control knob to the FAN position.

COOL MODE

Rotate the operating mode control knob to the COOL position.

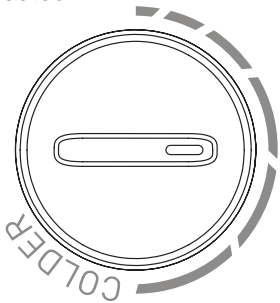
OFF MODE

Rotate the operating mode control knob to the OFF position.

Set the Temperature

Set the temperature to your comfort level by rotating the temperature control knob. The fan will run continuously to circulate the air and maintain an even temperature.

NOTE: The temperature setting mode is only available while cooling mode is selected.



1. Rotate the operating mode control knob to the cool position.
2. Rotate the temperature control knob to your desired level.

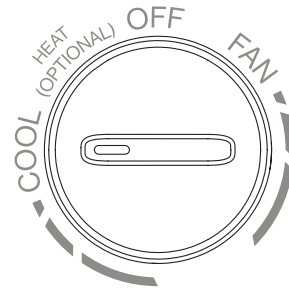
Defrosting & Anti-Freezing Instructions

Frost or even ice formed on part of or the entire evaporator coil is not unusual under certain conditions or below combined conditions:

1. The air conditioner is operating with very cold temperature setting;
2. The air conditioner is operating at very low Fan speed;
3. The air outlet of the air conditioner is obstructed, for example, the shutter of the cool air outlet or the ducts vents are closed, or the filters are obstructed;
4. The ambient temperature is relatively low, e.g. $\leq 78^{\circ}\text{F}$ (25.5°C).

If the frosting or icing should occur, please follow below instructions to clean up the frost or ice.

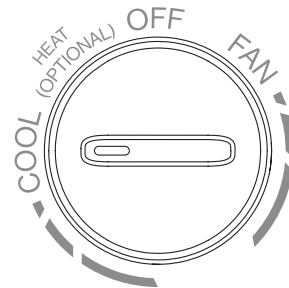
How to clean up the frost or ice?



Rotate the operating mode control knob to the "HIGH FAN" mode position (as shown above), and keep the air conditioner running for half an hour. Then the frost and ice will be melted and drop down of the evaporator coil, and the air conditioner will be resumed.

WARNING: During the defrosting or anti-freezing process, the frost or ice will be melted into water and might drop down from the trim kit to the floor or furnitures. Make sure you have prepared protections for your floor or furnitures in advance, or you can use a bucket to collect water.

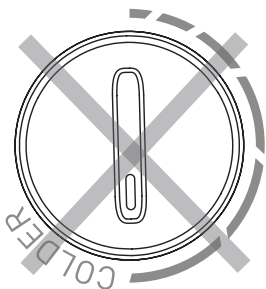
How to operate the air conditioner after being frozen up?



Rotate the operating mode control knob to the "HIGH FAN" mode position (as shown above), and keep the air conditioner running for half an hour. Then the frost and ice will be melted and drop down of the evaporator coil, and the air conditioner will be resumed.

WARNING: During the anti-freezing process, the frost or ice will be melted into water and might drop down from the trim kit to the floor or furnitures. Make sure you have prepared protections for your floor or furnitures in advance, or you can use a bucket to collect water.

How to prevent frosting or icing in the air conditioner?



- Do not rotate the temperature control knob to the "MAX COOL" position (as shown above) at night to prevent being frozen up.
- When the operating control mode knob is in "COOL" mode position, always keep at least 2 duct vents open to prevent being frozen up.

WARNING: The air conditioner could be frozen up when the ambient temperature is relatively low, e.g. $\leq 78^{\circ}\text{F}$ (25.5°C).

CLEANING AND MAINTENANCE

A blocked filter will impair the cooling and heating performance of the unit significantly.

The filter must be cleaned periodically to ensure that it does not become clogged with dust and other particles. The state of the filter can be ascertained from its appearance. If it appears dirty or clogged then it should be cleaned.

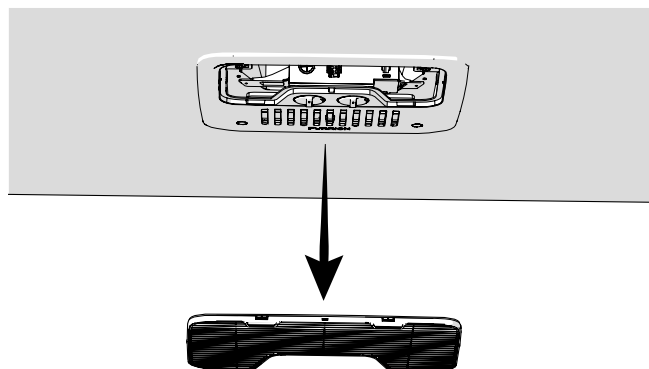
⚠ WARNING

Airborne particles can pose a health risk, particularly to young children and the elderly. Ensure that filters are cleaned in a safe and well ventilated area.

To Clean the Filter

The filter should be cleaned every four weeks or more when in use. Prolonged use, higher concentrations of airborne particles and various other factors may result in the filters needing to be cleaned more often.

1. Remove the filters by pushing the tabs to release. (Fig. 18)



2. The filter can be washed with warm soapy water. Care must be taken to avoid ripping the fabric.
3. Replace the filters, decoration plate and control knobs by reversing the above process.

NOTE: The filter must be completely dry before re-installation.

To Replace the Filter

Filter changes should be carried out depending on the amount of use, it is recommended to change at least every 12 months. Never operate the air conditioning system without a filter, since this can decrease performance and indoor air quality. Replacement return air filters can be ordered directly from Furrion.

TROUBLESHOOTING

English

Problem	Cause	Remedy
Rooftop air conditioner constantly switches itself off	Freeze sensor has tripped.	Outer temperature is too low or all air nozzles are closed.
Not cooling well	The rooftop air conditioner is not set to cooling.	Set the rooftop air conditioner to cooling.
	The set temperature is too high.	Select a lower temperature.
	The evaporator fan is damaged.	Contact an authorized service agent or Furrion (see the detail contact info at the back page of this manual).
	The condenser fan is damaged.	Contact an authorized service agent or Furrion (see the detail contact info at the back page of this manual).
	The air intake grilles are blocked or obstructed.	Remove any leaves and other dirt from the ventilation grilles of the rooftop air conditioner.
	The blower is defective.	Contact an authorized service agent or Furrion (see the detail contact info at the back page of this manual).
Water enters the vehicle	The condensation water drainage openings are clogged up.	Clean the drainage openings for condensation water.
	The seals are damaged.	Contact an authorized service agent or Furrion (see the detail contact info at the back page of this manual).
Rooftop air conditioner does not switch on	No supply voltage connected.	Check the power supply.
	The voltage is too low.	Contact an authorized service agent or Furrion (see the detail contact info at the back page of this manual).
	Fuse blown or circuit protector tripped.	Check the electrical fuse of the power supply.

SPECIFICATIONS

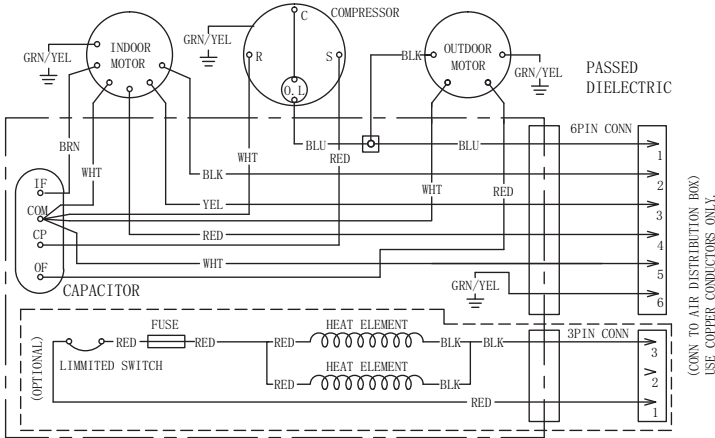
	FACR13HESA-** FACR13HESA-**-AM	FACR14SA-** FACR14SA-**-AM	FACR15SA-** FACR15SA-**-AM	FACR15HESA-** FACR15HESA-**-AM
Cooling Capacity (Btu/h)	13,500	14,500	15,500	15,000
Dehumidification (pint/h)	1.8	2.7	3.2	3.0
Applicable vehicle length (feet)	23	26	31	31
Refrigerant	R410A	R410A	R410A	R410A
Charge (Oz)	13.9	19.8	23.1	20.8
Roof top Unit Dimensions (L x W x H) (inch)	34 $\frac{7}{8}$ x 27 $\frac{5}{8}$ x 13 $\frac{5}{8}$	34 $\frac{7}{8}$ x 27 $\frac{5}{8}$ x 13 $\frac{5}{8}$	34 $\frac{7}{8}$ x 27 $\frac{5}{8}$ x 13 $\frac{5}{8}$	34 $\frac{7}{8}$ x 27 $\frac{5}{8}$ x 13 $\frac{5}{8}$
ELECTRICAL				
Volts/Frequency	115V~/60Hz/1Ph	115V~/60Hz/1Ph	115V~/60Hz/1Ph	115V~/60Hz/1Ph
Power Watts (Cooling)	1,283	1,620	1,720	1,760
Amps (Cooling)	11.3	14.6	15.4	15.6
Power Cord Gauge Min. (mm ²)	AWG12	AWG12	AWG12	AWG12
** Product color.				

WIRING DIAGRAM

⚠ DANGER

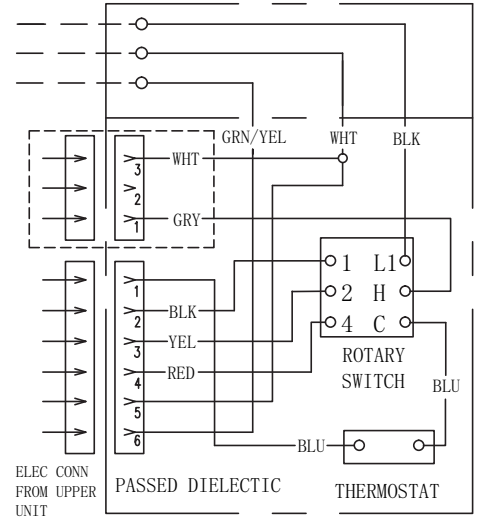
Electrical Shock Hazard

- Disconnect power before servicing. Failure to obey this warning could result in death or serious injury.
- Provide grounding in compliance with all applicable electrical codes. Failure to obey this warning could result in death or serious injury.



115VAC 60HZ 1PH
USE COPPER
CONDUCTORS ONLY

--- FIELD WIRING
— FACTORY WIRING
○ LINE SPLICE



English

N° de modèle Furrion	N° de Lippert
FACR13HESA-PS	2021132276
FACR13HESA-BL	2021130013
FACR13HESA-PS-AM	2021132277
FACR13HESA-BL-AM	2021132275
FACR14SA-PS	2021123613
FACR14SA-BL	2021123563
FACR14SA-PS-AM	2021123705
FACR14SA-BL-AM	2021123707
FACR15SA-PS	2021123799

N° de modèle Furrion	N° de Lippert
FACR15SA-BL	2021123630
FACR15SA-PS-AM	2021123793
FACR15SA-BL-AM	2021123708
FACR15HESA-PS	2021130009
FACR15HESA-BL	2021130010
FACR15HESA-PS-AM	2021130011
FACR15HESA-BL-AM	2021130008
FACT11CA-PS	2021123784
FACT11CA-PS-OEM	2022007394

Nous vous remercions d'avoir acheté ce produit Furrion®. Avant d'utiliser votre nouvel appareil, veuillez lire attentivement ces instructions. Ce manuel d'instruction contient des informations pour une utilisation, une installation et un entretien sûrs de l'appareil.

Veuillez conserver ce manuel d'instructions dans un endroit sûr afin de pouvoir vous y référer ultérieurement. Cela permettra de garantir une utilisation sûre et de réduire les risques de blessures. Veuillez à transmettre ce manuel aux nouveaux propriétaires de l'appareil.

Le fabricant n'accepte aucune responsabilité pour tout dommage dû au non-respect de ces instructions.

CONTENU

EXPLICATION DES SYMBOLES.....	14
INSTRUCTIONS DE SÉCURITÉ IMPORTANTES.....	14
Manipulation de l'appareil.....	14
Manipulation des câbles électriques.....	15
AVANT L'INSTALLATION.....	15
Contenu de la boîte.....	15
Choisir un emplacement approprié pour le climatiseur.....	15
Préparation de la toiture.....	16
Dimensionnement et conception des gaines de distribution d'air.....	17
Installation du système de distribution d'air.....	17
Pose des câbles de connexion.....	17
INSTALLATION.....	18
Installation de l'unité de toit.....	18
Installation de la boîte de distribution d'air.....	18
FONCTIONNEMENT.....	21
Modifier le mode de fonctionnement.....	21
Régler la température.....	21
Instructions de décongélation et d'anti-congélation.....	21
NETTOYAGE ET ENTRETIEN.....	22
DÉPANNAGE.....	23
SPÉCIFICATIONS.....	23
SCHÉMA DE CÂBLAGE.....	24

EXPLICATION DES SYMBOLES

Ce manuel contient des informations et des instructions de sécurité pour vous aider à éliminer ou à réduire les risques d'accidents et de blessures. Respectez toujours tous les avertissements de sécurité identifiés par ces symboles. Un mot de signalisation identifiera les messages de sécurité et les messages relatifs aux dommages matériels, et indiquera le degré ou le niveau de gravité du danger.

DANGER

Indique une situation dangereuse imminente qui, si elle n'est pas évitée, entraînera la mort ou des blessures graves.

AVERTISSEMENT

Indique une situation potentiellement dangereuse qui, si elle n'est pas évitée, peut entraîner la mort ou des blessures graves.

MISE EN GARDE

Indique une situation potentiellement dangereuse qui, si elle n'est pas évitée, peut entraîner des blessures mineures ou modérées, ou des dommages matériels.

INSTRUCTIONS DE SÉCURITÉ IMPORTANTES

Ce manuel contient des informations et des instructions de sécurité pour aider les utilisateurs à éliminer ou à réduire les risques d'accidents et de blessures. Veuillez lire attentivement ce manuel d'instructions avant l'installation et la mise en service, et conservez-le dans un endroit sûr pour toute référence ultérieure. Si vous transmettez l'appareil à une autre personne, remettez-lui ce manuel d'instructions en même temps. Le fabricant n'accepte aucune responsabilité pour les dommages dans les cas suivants :

- Montage ou connexion défectueux
- Dommages au produit résultant d'influences mécaniques et d'une tension excessive
- Modifications du produit sans l'autorisation expresse du fabricant
- Utilisation à des fins autres que celles décrites dans le manuel d'utilisation.

Les informations de sécurité de base suivantes doivent être prises en compte lors de l'utilisation d'appareils électriques pour se protéger :

- Décharge électrique
- Risque d'incendie
- Blessure

Tous les produits Furrion référencés dans ce manuel doivent être installés conformément aux codes locaux et nationaux, y compris les dernières éditions des normes suivantes :

É.-U. :

- NFPA 1192
- NFPA 70

Canada :

- C22.1
- CSA Z240

Manipulation de l'appareil

AVERTISSEMENT

- L'installation et la réparation du climatiseur de toit ne doivent être effectuées que par un personnel qualifié connaissant les risques encourus et les réglementations en vigueur. Des réparations inadéquates peuvent entraîner de graves dangers.
- Les appareils électriques ne sont pas des jouets. Gardez les appareils électriques hors de portée des enfants ou des personnes âgées. Ne les laissez pas utiliser des appareils électriques sans surveillance.
- Empêchez les personnes inexpérimentées d'utiliser l'appareil sans surveillance.
- Ne défaites pas le couvercle supérieur du climatiseur de toit en cas d'incendie. Utilisez plutôt des agents extincteurs approuvés. N'utilisez pas de l'eau pour éteindre le feu.

MISE EN GARDE

- Le climatiseur de toit doit être installé de manière sûre afin qu'il ne puisse pas tomber.
- Ne faites fonctionner le climatiseur de toit que si vous êtes certain que le boîtier et les câbles ne sont pas endommagés.
- N'utilisez pas le climatiseur de toit à proximité de fluides inflammables ou dans des pièces fermées.
- Assurez-vous qu'aucun objet combustible n'est stocké ou installé à proximité de la sortie d'air. Une distance d'au moins 20 po doit être respectée.
- Ne passez pas la main dans les sorties d'air et n'insérez pas de corps étrangers dans l'appareil.
- Utilisez l'appareil uniquement comme prévu.
- N'effectuez aucune modification ou transformation de l'appareil.
- En cas de défaillance du circuit frigorifique, le système doit être contrôlé par un technicien certifié et réparé correctement. Le réfrigérant ne doit jamais être libéré dans l'air.

Manipulation des câbles électriques

⚠ AVERTISSEMENT

L'alimentation électrique ne doit être raccordée que par un électricien qualifié.

⚠ MISE EN GARDE

- Reportez-vous au NEC (National Electric Code) pour connaître le calibre approprié des fils (AWG) en fonction de la longueur du câble et de la protection contre les surintensités qui alimente le climatiseur.
- Voir la plaque signalétique de l'unité de toit pour le dimensionnement correct de la protection contre les surintensités.
- Fixez et posez les câbles de manière à ce qu'ils ne puissent pas trébucher ou être endommagés.

AVANT L'INSTALLATION

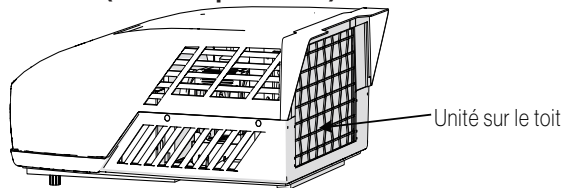
Lisez entièrement ce manuel d'installation avant d'installer le climatiseur de toit.

Les conseils et instructions suivants doivent être respectés lors de l'installation du climatiseur de toit.

Contenu de la boîte

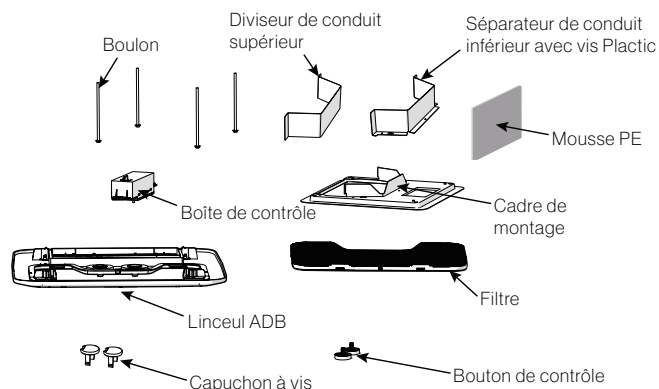
Ouvrez et retirez les composants du carton. Assurez-vous que tous les éléments suivants sont inclus dans l'emballage. Si un élément est manquant, contactez votre revendeur.

Unité sur le toit (vendu séparément) :



- Unité de toit x 1
- Manuel de garantie x 1

Boîte de distribution d'air :



- Séparateur de conduit supérieur x 1
- Séparateur de conduit inférieur x 1
- Boulon x 4
- Cadre de montage x 1
- Boîte de contrôle x 1
- Enveloppe du boîtier de distribution d'air (ADB) x 1

- Seul un électricien qualifié doit connecter le climatiseur de toit à l'alimentation électrique.
- Ne posez pas de câbles lâches ou pliés à côté de matériaux conducteurs d'électricité.
- Ne tirez pas sur les câbles.
- Utilisez des goulottes pour faire passer les câbles dans des murs aux arêtes vives.
- Reportez-vous à la plaque signalétique de l'unité de toit et au NEC pour connaître la puissance d'alimentation appropriée.

- Filtre x 1
- Mousse PE x 1
- Bouton de contrôle x 2
- Vis autotaraudeuses x 4
- Adaptateurs de vis x 2
- Manuel de l'instruction x 1
- Manuel de garantie x 1

Choisir un emplacement approprié pour le climatiseur

IMPORTANT : Le toit doit être conçu pour supporter le poids de l'unité de toit et le poids de 2 installateurs debout sur le toit.

Il existe deux façons d'installer le climatiseur de toit :

1. En utilisant l'ouverture de ventilation existante dans le toit du véhicule.
2. Faire une nouvelle ouverture. Dans ce cas, l'ouverture doit être renforcée par un cadre approprié, selon les besoins.

Ouverture de l'évent de toit existant

Le climatiseur est conçu pour s'adapter à une ouverture de ventilation de toit existante de 14 pouces.

Nouvelle ouverture

Lorsqu'aucun événement de toit n'est disponible ou qu'un autre emplacement est souhaité, il est recommandé de procéder comme suit :

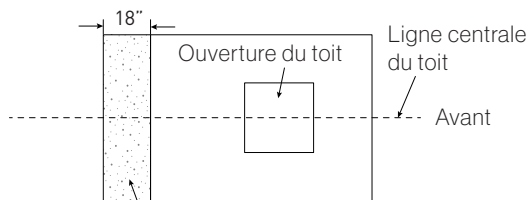
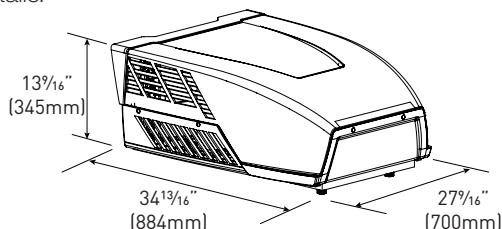
- Pour l'installation d'une seule unité - le climatiseur doit être monté légèrement en avant du centre (de l'avant à l'arrière) et centré d'un côté à l'autre.
- Pour les installations à deux unités, installez un climatiseur à un tiers de l'avant du VR et l'autre climatiseur à deux tiers de l'avant du VR, alignés au centre.

Il est préférable que le climatiseur soit installé sur une section de toit relativement plat et horizontale, mesurée lorsque le véhicule récréatif est garé sur une surface plane.

REMARQUE : Une inclinaison de 15° de chaque côté ou de l'avant vers l'arrière est acceptable pour toutes les unités. Si le toit dépasse 15°, veuillez utiliser une cale de mise à niveau extérieure pour mettre le climatiseur à niveau.

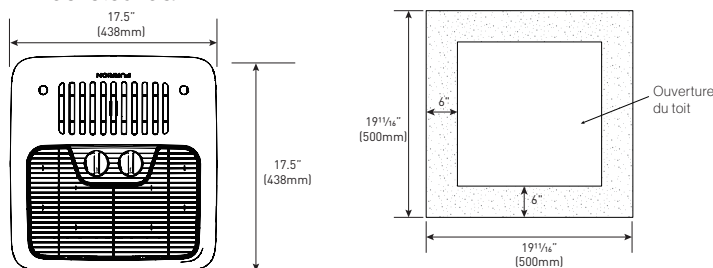
Après avoir sélectionné l'emplacement :

1. Vérifiez l'absence d'obstructions dans la zone où le climatiseur sera installé.



Maintenez cette zone de flux d'air libre de toute obstruction

2. Vérifiez l'intérieur du VR pour voir si le kit de retour d'air n'est pas obstrué. (Prévoyez un espace de 152 mm (6 po) à partir de l'ouverture pour tenir compte de toute obstruction potentielle du kit de retour d'air.



Préparation de la toiture

Exigences relatives à l'ouverture - avant de préparer l'ouverture du plafond, décidez du type d'options du système. Lisez toutes les instructions suivantes avant de commencer l'installation.

⚠ AVERTISSEMENT

Risque de feu/décharge électrique

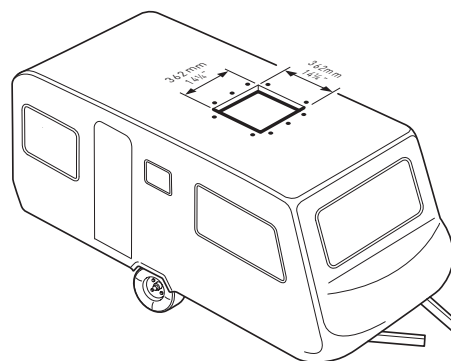
- Assurez-vous qu'il n'y a pas d'obstacles à l'intérieur du toit, du plancher et des murs du VR, comme des fils et des tuyaux.
- Fermez l'alimentation en gaz et débranchez le courant de 115 VCA du véhicule récréatif avant de percer ou de couper dans le véhicule. Ignorer ces avertissements pourrait entraîner des blessures corporelles graves, voire la mort.

Épaisseur de la toiture

L'installation du climatiseur convient aux toits d'une épaisseur de 90 mm à 152 mm (3,5 po à 6 po). Pour toute autre épaisseur, veuillez contacter Furrion ou un agent de service agréé Furrion.

Installation dans une ouverture existante

1. Dévissez et retirez l'évent de toit.
2. Retirez tout le mastic de calfeutrage autour de l'ouverture.
3. Si l'ouverture dépasse 14 1/4 po x 14 1/4 po (+1/2 po), il sera nécessaire de redimensionner l'ouverture à 14 1/4 po x 14 1/4 po (+1/2 po). Si l'ouverture est inférieure à 14 1/4 po x 14 1/4 po (+1/2 po), elle doit être agrandie.

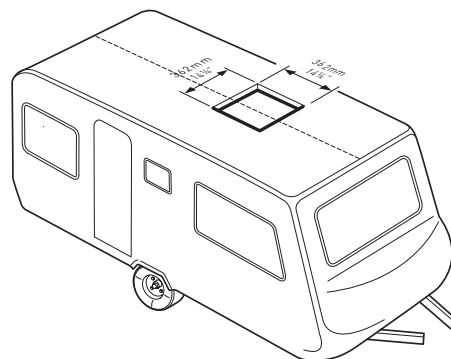


Faire une nouvelle ouverture

Si une ouverture de ventilation de toit n'est pas utilisée, une ouverture de 14 1/4 po x 14 1/4 po (+1/2 po) (362 mm x 362 mm) doit être découpée à travers le toit et le plafond du VR. Cette ouverture doit être située entre les éléments de renforcement du toit.

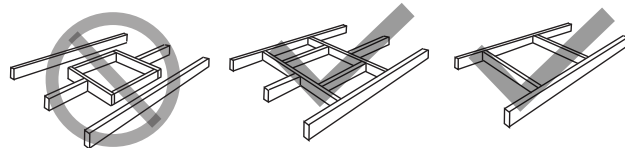
L'ouverture de 14 1/4 po x 14 1/4 po (+1/2 po) fait partie du système de retour d'air du climatiseur et doit être fini conformément à la norme NFPA 501C, section 2.7.2.

1. Marquez un carré de 14 1/4 po x 14 1/4 po (+1/2 po) sur le toit et découpez soigneusement une ouverture.



2. En utilisant l'ouverture du toit comme guide, découpez un trou correspondant dans le plafond.

REMARQUE : Maintenir l'intégrité structurelle. Sinon, vous risquez d'endommager le produit et/ou le véhicule récréatif. Respectez toujours les directives suivantes lors de la structuration de l'ouverture.



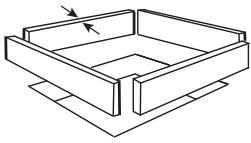
Ne pas couper la structure du toit ou les chevrons

Bon : chevrons soutenus par des poutres transversales

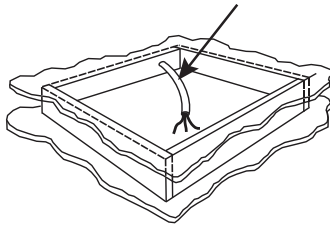
Bien : emplacement entre les chevrons du toit

3. L'ouverture créée doit être encadrée pour fournir un support adéquat et empêcher l'air d'être aspiré de la cavité du toit.
4. Il faut utiliser du bois de 3/4 po ou plus d'épaisseur. N'oubliez pas de prévoir un trou d'entrée pour les alimentations électriques, le thermostat mural et le câblage du four pour les connexions. Laissez un minimum de 15 po (381 mm) à l'avant de l'ouverture.

3/4" Min.
(19.05 mm)



câblage de l'alimentation électrique



Dimensionnement et conception des gaines de distribution d'air

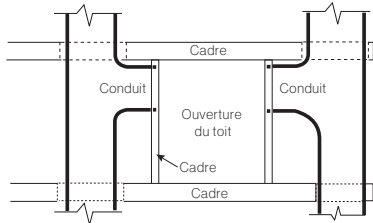
L'installateur de ce système doit concevoir le système de distribution d'air pour son application particulière.

REMARQUE : Assurez-vous que les conduits ne se plieront pas ou ne seffondreront pas pendant et après l'installation, et qu'ils sont correctement isolés et scellés. Sinon, la structure du toit et le plafond risquent d'être endommagés.

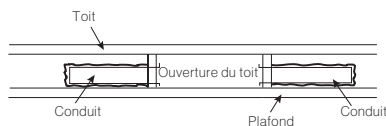
Les conditions suivantes doivent être remplies pour que l'appareil fonctionne correctement :

Profondeur de la cavité du toit	3,5 à -6 po (89 mm à 152 mm)	
Section transversale du conduit	21 pouces carrés Min.	
Taille du conduit	Profondeur	1½ po Min. - 2½ po Max. (38 mm Min. - 63,5 mm Max.)
	Largeur	7 po Min. - 10 po Max. (178 mm Min. à 254 mm Max.)
	Longueur totale du conduit	15 pi Min. - 40 pieds. Max. (4,5 m à 13 m)
	Longueur de la gaine (courte)	1/3 de la longueur totale du conduit
Exigences de registre par unité A/C	Nombre requis	4 Min. à 8 Max.
	Registre d'alimentation Zone d'air libre	14 pouces carrés (90 cm carrés)
	Registre de retour Zone d'air libre	40 pouces carrés (258 cm carrés)
	Distance de l'extrémité du conduit	5 po Min. - 8 po Max. (127 mm Min. à 203 mm Max.)
	Distance du coude	15 po (381 mm)
Pression d'air statique totale du système	Ventilateur à haute vitesse, filtre et grille en place	0,55 à 1,10 po W.C.

- Isolez et étanchéifiez correctement tous les conduits d'air de refoulement afin d'empêcher la formation de condensation sur leurs surfaces ou sur les surfaces adjacentes pendant le fonctionnement de l'unité. Cette isolation doit être de R-7 minimum.



VUE DE DESSUS (ARRIÈRE DE L'AUTO-CARAVANE)



VUE LATÉRALE (VERS L'ARRIÈRE DE L'AUTO-CARAVANE)

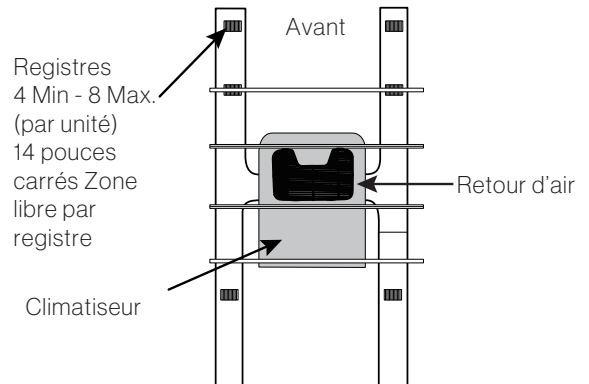
- Les ouvertures de retour d'air doivent avoir une surface libre minimale de 80 pouces carrés (516 centimètres carrés), y compris le filtre.
- L'air de retour vers l'unité doit être filtré pour éviter l'accumulation de saletés sur la surface de refroidissement de l'unité.

Installation du système de distribution d'air

Il incombe à l'installateur d'examiner le plan d'étage de chaque VR pour déterminer les éléments suivants en conjonction avec la section « Dimensionnement et conception des conduits de distribution d'air »

REMARQUE : D'autres configurations et méthodes peuvent être utilisées pour permettre à l'appareil de fonctionner correctement, cependant, ces autres configurations et méthodes DOIVENT être approuvées par Furrion par écrit.

- Taille du conduit
- Disposition des conduits
- Taille du registre
- Emplacement du registre
- Emplacement du thermostat
- Emplacement du capteur de température intérieure (le cas échéant)



Pose des câbles de connexion

Le climatiseur de toit doit être raccordé à un circuit électrique capable de fournir l'alimentation requise (voir chapitre « Spécifications »).

REMARQUE : Le fil d'alimentation doit être situé dans la partie avant de l'ouverture du toit. L'alimentation doit être équipée d'un fusible à retardement ou d'un disjoncteur. Voir la plaque signalétique de l'unité de toit pour connaître la valeur nominale.

⚠ DANGER

Risque de décharge électrique

- Débranchez l'alimentation avant de procéder à l'entretien. Ignorer cet avertissement pourrait entraîner des blessures corporelles graves, voire la mort.
- Fournir une mise à la terre en conformité avec tous les codes électriques applicables. Ignorer cet avertissement pourrait entraîner des blessures corporelles graves, voire la mort.

Reportez-vous aux directives du code électrique en vigueur pour déterminer le calibre, la longueur et le type de fil appropriés.

1. Acheminez un fil d'alimentation de 115 VCA avec fil de terre depuis le boîtier de fusibles ou de disjoncteurs de la minuterie jusqu'à l'ouverture du toit.

REMARQUE : Consultez la plaque signalétique de l'unité de toit et le code applicable pour une installation correcte.

2. Utilisez une méthode approuvée pour protéger le fil à l'endroit où il passe dans l'ouverture.
3. Faites passer le câble 115VCA par l'ouverture dans l'habitacle du véhicule. Assurer au moins 15 po (381 mm) de fil d'alimentation dépassant de l'ouverture du toit. Cela garantit une connexion facile au niveau du boîtier de commande.

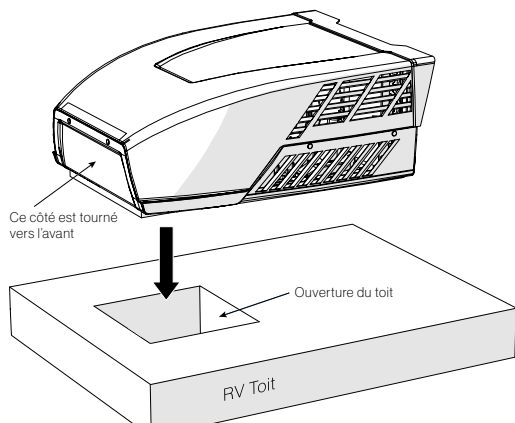
INSTALLATION

Installation de l'unité de toit

⚠ MISE EN GARDE

- L'unité de toit pèse environ 45 kg (100 livres). Pour éviter toute blessure au dos, utilisez un palan mécanique pour soulever ou déplacer l'appareil. Ignorer cet avertissement pourrait entraîner des blessures.
- Ne pas faire glisser l'unité. Cela pourrait endommager le joint situé au bas de l'unité de toit et provoquer des fuites.
- Ne saisissez pas les fentes de ventilation pour soulever l'unité de toit.

En tenant le bas de l'unité, soulevez et positionnez l'unité de toit dans l'ouverture préparée en utilisant le joint au bas de l'unité de toit comme guide.



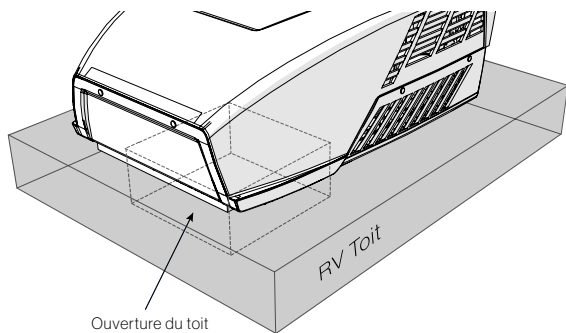
L'installation extérieure de l'unité de toit est ainsi terminée. Des ajustements mineurs peuvent être effectués depuis l'intérieur du véhicule récréatif si nécessaire.

Installation de la boîte de distribution d'air

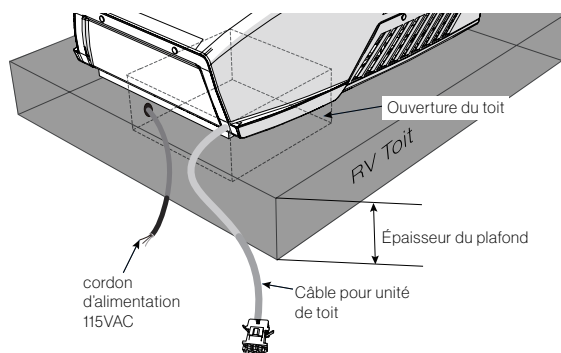
REMARQUE : L'installation de la boîte de distribution d'air est la même pour les structures avec ou sans conduit.

L'unité de toit est fixée sur le toit du VR à l'aide de 4 longs boulons traversant le cadre de montage depuis l'intérieur du plafond du VR.

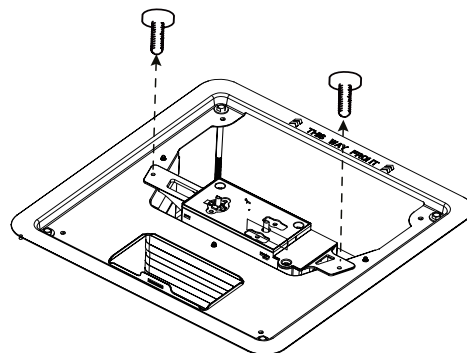
1. Vérifiez l'alignement du joint de l'unité de toit à l'intérieur du VR sur l'ouverture du toit et ajustez si nécessaire en le soulevant et en le déplaçant légèrement.



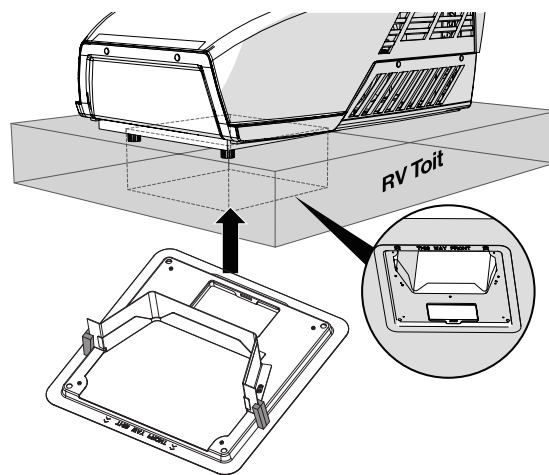
2. Passez la main dans l'ouverture de retour d'air et tirez le cordon électrique de l'unité de toit et le cordon d'alimentation 115VCA vers le bas de la zone de découpe pour un raccordement ultérieur.



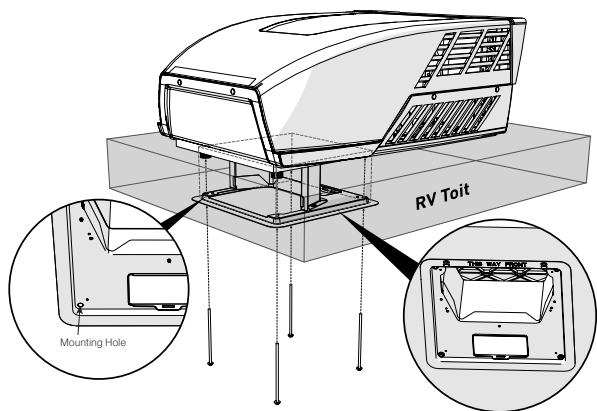
3. Retirez le boîtier de commande du cadre de montage en dévissant les deux vis situées sur les supports du boîtier de commande.



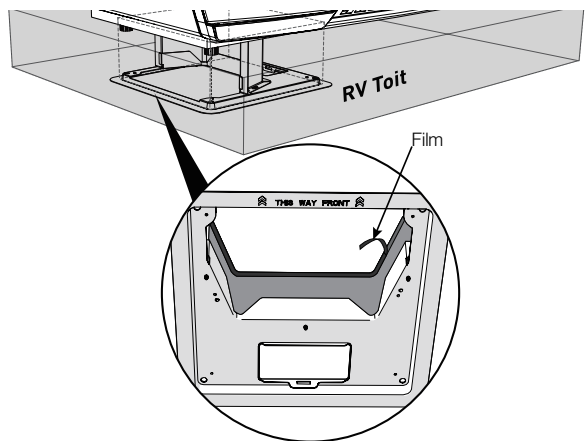
4. Installez le cadre de montage assemblé et le diviseur de conduit inférieur dans l'ouverture du toit. Assurez-vous que la marque « **THIS WAY FRONT** » est orientée vers l'avant (la direction du véhicule) pendant l'installation.



5. Fixez le cadre de montage assemblé et le diviseur de conduit inférieur dans l'unité de toit à l'aide des 4 boulons fournis. Serrez uniformément les quatre boulons avec un couple de 40 à 50 pouces-livres. Cela comprimera le joint de toit à environ 1/2 po. **REMARQUE :** Si les boulons sont desserrés, l'étanchéité du toit risque d'être insuffisante ou, s'ils sont trop serrés, la base du toit ou le cadre de montage risque d'être endommagé.

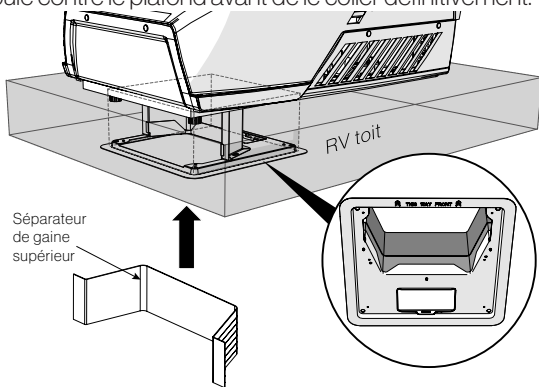


6. Retirez pour enlever la pellicule du ruban adhésif double face situé sur le côté intérieur supérieur du diviseur de conduit inférieur.

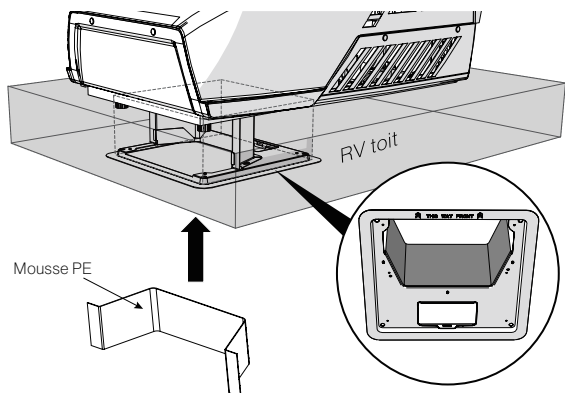


7. Collez le diviseur de gaine supérieur dans le cadre de montage assemblé.

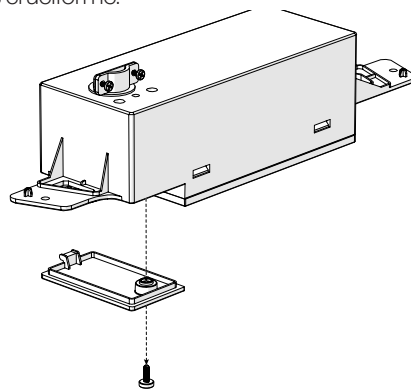
REMARQUE : Assurez-vous que le diviseur de gaine supérieur appuie contre le plafond avant de le coller définitivement.



8. Décollez pour retirer le papier de protection de la mousse PE, faites chevaucher le côté collant sur tous les espaces et compressez pour sceller et isoler la section entière.



9. Retirez le couvercle du compartiment des câbles à l'aide d'un tournevis cruciforme.



⚠ DANGER

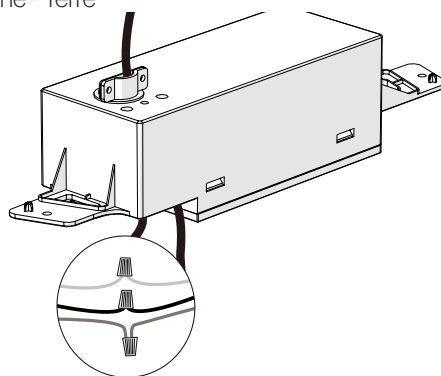
Risque de décharge électrique

- Débranchez l'alimentation avant de procéder à l'entretien. Ignorer cet avertissement pourrait entraîner des blessures corporelles graves, voire la mort.
- Fournir une mise à la terre en conformité avec tous les codes électriques applicables. Ignorer cet avertissement pourrait entraîner des blessures corporelles graves, voire la mort.

10. Desserrez le serre-câble situé sur le dessus du boîtier de commande et faites passer le cordon d'alimentation 115 VCA à travers le serre-câble. Effectuez la connexion de l'alimentation 115VCA au boîtier de commande et assurez-vous qu'ils sont correctement isolés en utilisant des capuchons tournants.

REMARQUE : Respectez toujours le code de couleur lorsque vous connectez les câbles.

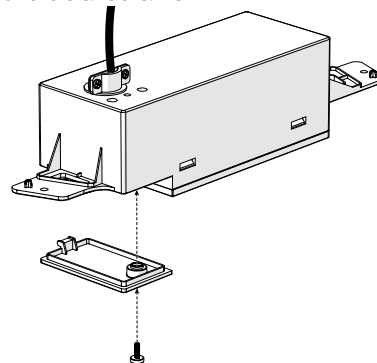
- Noir - Chaud
- Blanc - Neutre
- Vert/Jaune - Terre



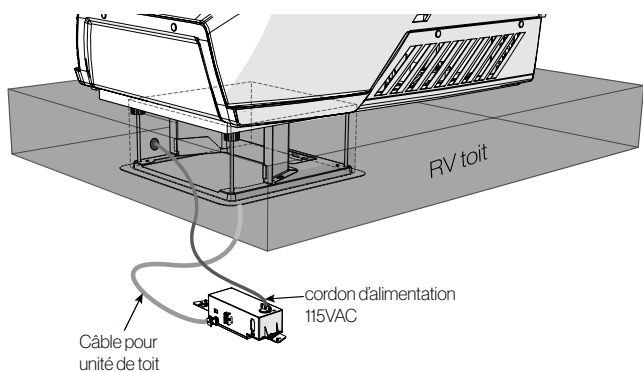
11. Serrez le clip du câble jusqu'à ce que le câble soit bien accroché.

REMARQUE : Ne pas trop serrer.

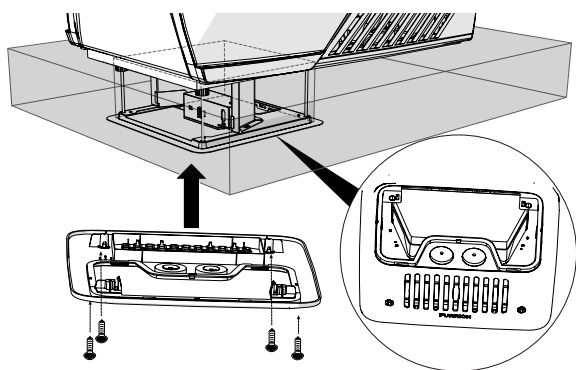
12. Placez tous les câbles dans le compartiment prévu à cet effet et repoussez les fils excédentaires vers le haut, hors du chemin. Serrez le couvercle avec la vis.



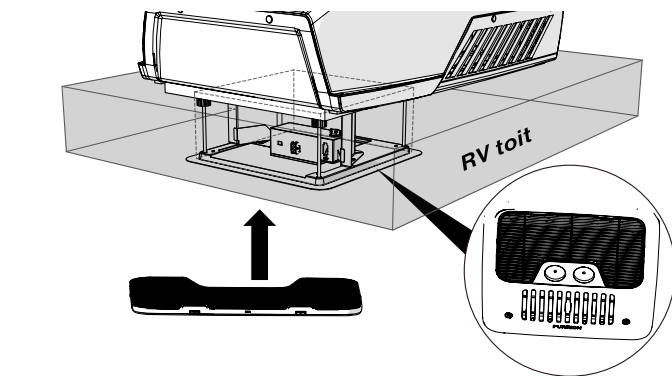
13. Connectez les fils du câble de l'unité de toit au boîtier de commande. Le cordon d'alimentation 115 VCA se connecte à une source d'alimentation 115 VCA.



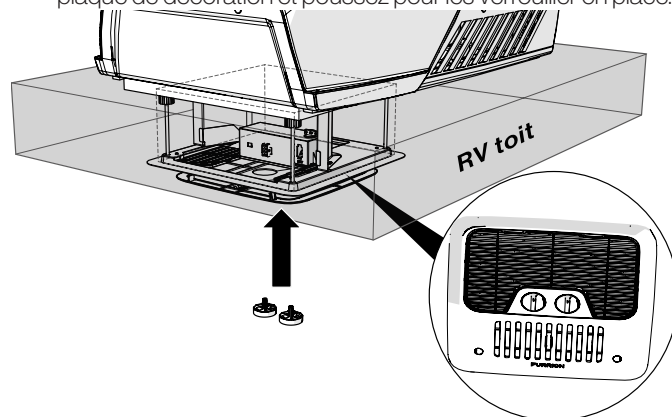
14. Installez l'enveloppe du boîtier de distribution d'air (ADB) sur le cadre de montage et fixez-la avec 4 vis autotaraudeuses.
REMARQUE : Assurez-vous que la marque « THIS WAY FRONT » est orientée vers l'avant (la direction du véhicule) pendant l'installation.



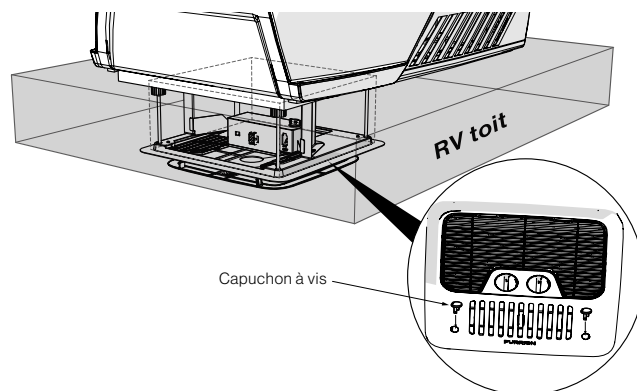
15. Alignez les languettes du filtre avec les encoches correspondantes et poussez pour encliquer les filtres dans le boîtier de l'ADB.



16. Installez les deux boutons de commande à travers les trous de la plaque de décoration et poussez pour les verrouiller en place.



17. Installez les capuchons de vis pour couvrir les trous de vis.



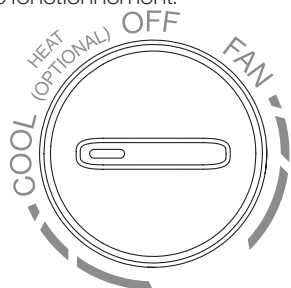
Votre nouveau climatiseur de toit a maintenant été entièrement installé sur le toit de l'auto-caravane.

FONCTIONNEMENT

Votre nouveau climatiseur de toit est conçu avec 2 boutons de commande qui vous permettent de régler la température de consigne et de changer le mode de fonctionnement du climatiseur.

Modifier le mode de fonctionnement

Tournez le bouton de mode de la commande de fonctionnement pour sélectionner le mode de fonctionnement souhaité. Vous pouvez choisir parmi trois modes de fonctionnement.



MODE VENTILATEUR

Tournez le bouton de commande de fonctionnement sur la position FAN.

MODE FROID

Tournez le bouton de commande de fonctionnement sur la position COOL.

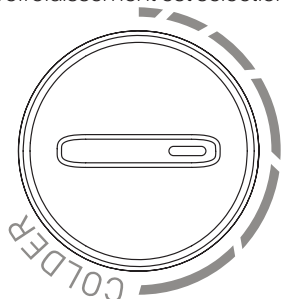
MODE OFF

Tournez le bouton de commande de fonctionnement sur la position OFF.

Régler la température

Réglez la température à votre niveau de confort en tournant le bouton de contrôle de la température. Le ventilateur fonctionne en permanence pour faire circuler l'air et maintenir une température uniforme.

REMARQUE : Le mode de réglage de la température n'est disponible que lorsque le mode refroidissement est sélectionné.



1. Tournez le bouton de commande de fonctionnement sur la position COOL.
2. Tournez le bouton de réglage de la température jusqu'au niveau souhaité.

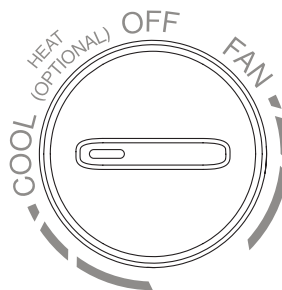
Instructions de décongélation et d'anti-congélation

La formation de givre ou même de glace sur une partie ou la totalité du serpentin de l'évaporateur n'est pas inhabituelle dans certaines conditions ou sous des conditions combinées :

1. Le climatiseur fonctionne avec un réglage de température très froid;
2. Le climatiseur fonctionne à une vitesse de ventilation très faible;
3. La sortie d'air du climatiseur est obstruée, par exemple, le volet de la sortie d'air frais ou les bouches d'aération des gaines sont fermés, ou les filtres sont obstrués;
4. La température ambiante est relativement basse, par exemple $\leq 78^{\circ}\text{F}$ ($25,5^{\circ}\text{C}$).

En cas de givre ou de glace, veuillez suivre les instructions ci-dessous pour nettoyer le givre ou la glace.

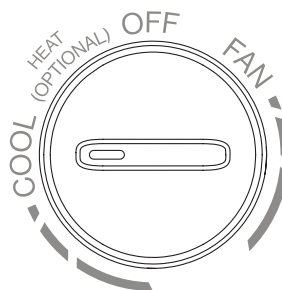
Comment nettoyer le givre ou la glace?



Tournez le bouton de commande du mode de fonctionnement sur la position du mode « HIGH FAN » (comme indiqué ci-dessus), et laissez le climatiseur fonctionner pendant une demi-heure. Ensuite, le givre et la glace seront fondus et tomberont du serpentin de l'évaporateur, et le climatiseur sera remis en marche.

AVERTISSEMENT : Pendant le processus de dégivrage ou d'antigel, le givre ou la glace sera fondu en eau et pourrait tomber du kit de garniture sur le sol ou les meubles. Assurez-vous d'avoir préparé des protections pour votre sol ou vos meubles, ou vous pouvez utiliser un seau pour recueillir l'eau.

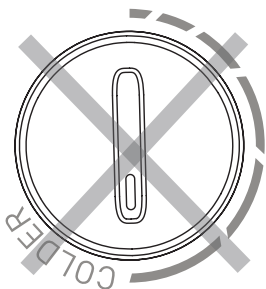
Comment faire fonctionner le climatiseur après avoir été gelé?



Tournez le bouton de commande du mode de fonctionnement sur la position du mode « HIGH FAN » (comme indiqué ci-dessus), et laissez le climatiseur fonctionner pendant une demi-heure. Ensuite, le givre et la glace seront fondus et tomberont du serpentin de l'évaporateur, et le climatiseur sera remis en marche.

AVERTISSEMENT : Pendant le processus d'antigel, le givre ou la glace sera fondu en eau et pourrait tomber du kit de garniture sur le sol ou les meubles. Assurez-vous d'avoir préparé des protections pour votre sol ou vos meubles, ou vous pouvez utiliser un seau pour recueillir l'eau.

Comment éviter la formation de givre ou de glace dans le climatiseur?



- Ne touchez pas le bouton de réglage de la température sur la position « MAX COOL » (comme indiqué ci-dessus) la nuit pour éviter d'être gelé.
- Lorsque le bouton de mode de la commande de fonctionnement est en position « COOL », gardez toujours au moins 2 bouches d'aération ouvertes pour éviter d'être gelées.

AVERTISSEMENT : Le climatiseur pourrait être gelé lorsque la température ambiante est relativement basse, par exemple ≤ 78 °F (25,5 °C).

NETTOYAGE ET ENTRETIEN

Un filtre obstrué réduit considérablement les performances de refroidissement et de chauffage de l'appareil.

Le filtre doit être nettoyé périodiquement pour éviter qu'il ne soit obstrué par la poussière et d'autres particules. L'état du filtre peut être déterminé par son apparence. S'il semble sale ou bouché, il doit être nettoyé.

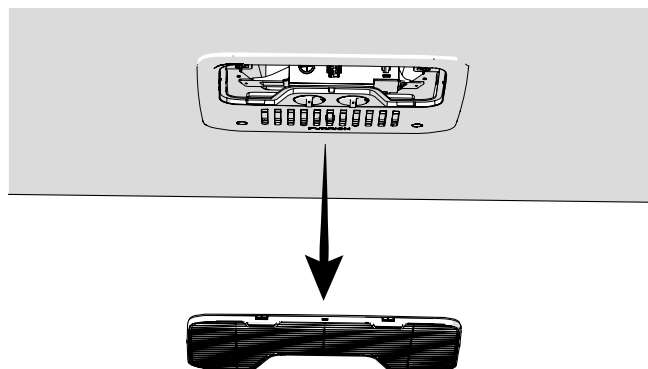
⚠ AVERTISSEMENT

Les particules en suspension dans l'air peuvent présenter un risque pour la santé, notamment pour les jeunes enfants et les personnes âgées. Veillez à ce que les filtres soient nettoyés dans un endroit sûr et bien ventilé.

Pour nettoyer le filtre

Le filtre doit être nettoyé toutes les quatre semaines ou plus lorsqu'il est utilisé. Une utilisation prolongée, des concentrations plus élevées de particules en suspension dans l'air et divers autres facteurs peuvent faire en sorte que les filtres doivent être nettoyés plus souvent.

1. Retirez les filtres en poussant les languettes pour les libérer. (Fig. 18)



2. Le filtre peut être lavé à l'eau chaude savonneuse. Il faut faire attention à ne pas déchirer le tissu.
3. Remplacez les filtres, la plaque de décoration et les boutons de commande en inversant le processus ci-dessus.

REMARQUE : Le filtre doit être complètement sec avant d'être réinstallé.

Pour remplacer le filtre

Le changement de filtre doit être effectué en fonction de la quantité d'utilisation, il est recommandé de le faire au moins tous les 12 mois. Ne faites jamais fonctionner le système de climatisation sans filtre, car cela peut diminuer les performances et la qualité de l'air intérieur. Les filtres de retour d'air de remplacement peuvent être commandés directement auprès de Furrion.

DÉPANNAGE

Problème	Cause	Remède
Le climatiseur du toit s'éteint constamment	Le capteur de gel s'est déclenché.	La température extérieure est trop basse ou toutes les buses d'air sont fermées.
Ne refroidit pas bien	Le climatiseur de toit n'est pas réglé sur le refroidissement.	Réglez le climatiseur de toit sur refroidissement.
	La température réglée est trop élevée.	Sélectionnez une température plus basse.
	Le ventilateur de l'évaporateur est endommagé.	Contactez un agent de service agréé ou Furrion (voir les coordonnées détaillées à la dernière page de ce manuel).
	Le ventilateur du condenseur est endommagé.	Contactez un agent de service agréé ou Furrion (voir les coordonnées détaillées à la dernière page de ce manuel).
	Les grilles d'admission d'air sont bloquées ou obstruées.	Retirez les feuilles et autres saletés des grilles de ventilation du climatiseur de toit.
	Le ventilateur est défectueux.	Contactez un agent de service agréé ou Furrion (voir les coordonnées détaillées à la dernière page de ce manuel).
L'eau pénètre dans le véhicule	Les orifices d'évacuation de l'eau de condensation sont obstrués.	Nettoyez les orifices de drainage de l'eau de condensation.
	Les joints sont endommagés.	Contactez un agent de service agréé ou Furrion (voir les coordonnées détaillées à la dernière page de ce manuel).
Le climatiseur de toit ne s'allume pas	Aucune tension d'alimentation n'est connectée.	Vérifiez l'alimentation électrique.
	La tension est trop faible.	Contactez un agent de service agréé ou Furrion (voir les coordonnées détaillées à la dernière page de ce manuel).
	Le fusible a sauté ou le protecteur de circuit s'est déclenché.	Vérifiez le fusible électrique de l'alimentation.

SPÉCIFICATIONS

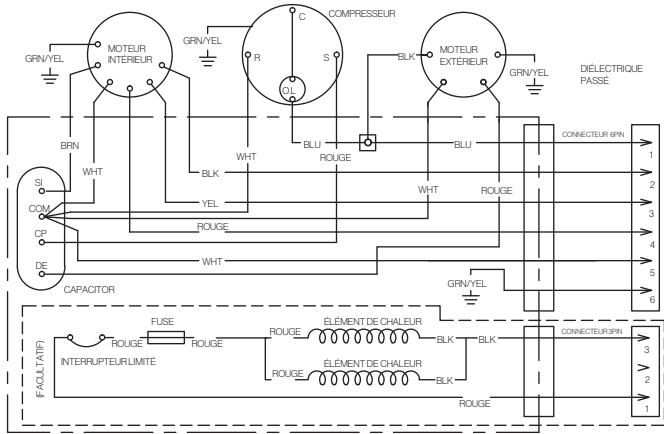
	FACR13HESA-** FACR13HESA-**-AM	FACR14SA-** FACR14SA-**-AM	FACR15SA-** FACR15SA-**-AM	FACR15HESA-** FACR15HESA-**-AM
Capacité de refroidissement (Btu/h)	13 500	14 500	15 500	15 000
Déshumidification (pint/h)	1,8	2,7	3,2	3,0
Longueur du véhicule applicable (pieds)	23	26	31	31
Réfrigérant	R410A	R410A	R410A	R410A
Charge (Oz)	13,9	19,8	23,1	20,8
Dimensions de l'unité de toit (L x P x H) (pouces)	34 $\frac{7}{8}$ x 27 $\frac{5}{8}$ x 13 $\frac{5}{8}$	34 $\frac{7}{8}$ x 27 $\frac{5}{8}$ x 13 $\frac{5}{8}$	34 $\frac{7}{8}$ x 27 $\frac{5}{8}$ x 13 $\frac{5}{8}$	34 $\frac{7}{8}$ x 27 $\frac{5}{8}$ x 13 $\frac{5}{8}$
ÉLECTRICITÉ				
Volts/Fréquence	115 V~/60 Hz/1 Ph	115 V~/60 Hz/1 Ph	115 V~/60 Hz/1 Ph	115 V~/60 Hz/1 Ph
Puissance Watts (refroidissement)	1283	1620	1720	1760
Ampères (refroidissement)	11,3	14,6	15,4	15,6
Jauge du cordon d'alimentation Min. (mm ²)	AWG12	AWG12	AWG12	AWG12
** Couleur du produit.				

SCHÉMA DE CÂBLAGE

⚠ DANGER

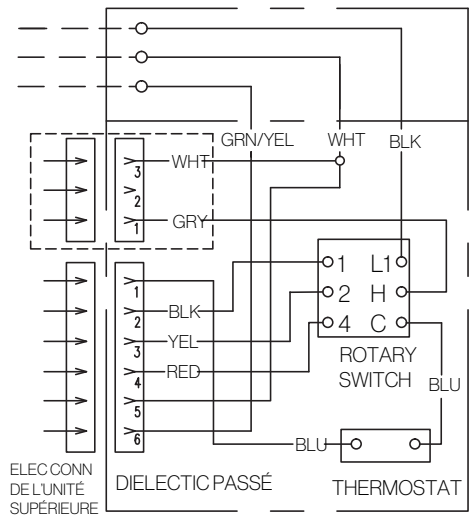
Risque de décharge électrique

- Débranchez l'alimentation avant de procéder à l'entretien. Ignorer cet avertissement pourrait entraîner des blessures corporelles graves, voire la mort.
- Fournir une mise à la terre en conformité avec tous les codes électriques applicables. Ignorer cet avertissement pourrait entraîner des blessures corporelles graves, voire la mort.



(CONNEXION DE LA BOÎTE DE DISTRIBUTION À UTILISER UNIQUEMENT DES CONDUCTEURS EN COPPER)

115VAC 60 HZ 1PH
 USE COPPER
 CONDUCTEURS UNIQUEMENT



Français

Modelo Furrion N.º	Artículo Lippert N.º
FACR13HESA-PS	2021132276
FACR13HESA-BL	2021130013
FACR13HESA-PS-AM	2021132277
FACR13HESA-BL-AM	2021132275
FACR14SA-PS	2021123613
FACR14SA-BL	2021123563
FACR14SA-PS-AM	2021123705
FACR14SA-BL-AM	2021123707
FACR15SA-PS	2021123799

Modelo Furrion N.º	Artículo Lippert N.º
FACR15SA-BL	2021123630
FACR15SA-PS-AM	2021123793
FACR15SA-BL-AM	2021123708
FACR15HESA-PS	2021130009
FACR15HESA-BL	2021130010
FACR15HESA-PS-AM	2021130011
FACR15HESA-BL-AM	2021130008
FACT11CA-PS	2021123784
FACT11CA-PS-OEM	2022007394

Gracias por adquirir este producto Furrion®. Antes de utilizar el nuevo dispositivo, lea atentamente estas instrucciones. Este manual de instrucciones contiene información para el uso, la instalación y el mantenimiento seguros del producto.

Guarde este manual de instrucciones en un lugar seguro para futuras consultas. Esto garantizará un uso seguro y reducirá el riesgo de lesiones.

Asegúrese de entregar este manual a los nuevos propietarios de este dispositivo.

El fabricante no se hace responsable de los daños ocasionados por no seguir estas instrucciones.

CONTENIDO

EXPLICACIÓN DE LOS SÍMBOLOS	26
IMPORTANTES INSTRUCCIONES DE SEGURIDAD	26
Manipulación del dispositivo	26
Manipulación de cables eléctricos	27
ANTES DE LA INSTALACIÓN	27
Qué hay en la caja	27
Elección de la ubicación adecuada para el aire acondicionado	27
Preparación del techo	28
Tamaño y diseño del conducto de distribución de aire	29
Instalación del sistema de distribución de aire	29
Tendido de cables de conexión	29
INSTALACIÓN	30
Instalación de la unidad para el techo	30
Instalación de la caja de distribución de aire	30
FUNCIONAMIENTO	33
Cambio del modo de funcionamiento	33
Configuración de la temperatura	33
Instrucciones de descongelamiento y anticongelamiento	33
LIMPIEZA Y MANTENIMIENTO	34
SOLUCIÓN DE PROBLEMAS	35
ESPECIFICACIONES	35
DIAGRAMA DE CABLEADO	36

EXPLICACIÓN DE LOS SÍMBOLOS

Este manual contiene información e instrucciones de seguridad para ayudarlo a eliminar o reducir el riesgo de accidentes y lesiones. Respete siempre todas las advertencias de seguridad identificadas con estos símbolos. Una palabra de advertencia identificará los mensajes de seguridad y de daños materiales e indicará el grado o nivel de gravedad del peligro.

⚠ PELIGRO

Indica una situación de peligro inminente que, si no se evita, provocará la muerte o lesiones graves.

⚠ ADVERTENCIA

Indica una situación de peligro potencial que, si no se evita, podría causar la muerte o lesiones graves.

⚠ PRECAUCIÓN

Indica una situación de peligro potencial que, si no se evita, podría causar lesiones personales o daños materiales menores o moderados.

IMPORTANTES INSTRUCCIONES DE SEGURIDAD

Este manual contiene información e instrucciones de seguridad para ayudar a los usuarios a eliminar o reducir el riesgo de accidentes y lesiones. Lea este manual de instrucciones detenidamente antes de la instalación y la puesta en marcha, y guárdelo en un lugar seguro para referencia futura. Si le cede el dispositivo a otra persona, entréguele este manual de instrucciones también.

El fabricante no acepta ninguna responsabilidad por daños en los siguientes casos:

- Ensamble o conexión defectuosos
- Daño al producto como consecuencia de influencias mecánicas y voltaje excesivo
- Alteraciones al producto sin permiso expreso del fabricante
- Uso para propósitos diferentes de los descritos en el manual de funcionamiento

Se debe prestar atención a la siguiente información de seguridad básica al usar dispositivos eléctricos para proteger contra:

- Descarga eléctrica
- Peligros de incendio
- Lesiones

Todos los productos Furrion a los que se hace referencia en este manual deben instalarse de acuerdo con códigos locales y nacionales, incluidas las últimas ediciones de los siguientes estándares:

EE. UU.:

- NFPA 1192
- NFPA 70

Canadá:

- C22.1
- CSA Z240

Manipulación del dispositivo

⚠ ADVERTENCIA

- La instalación y la reparación del aire acondicionado para techo solo deben ser realizadas por personal calificado que está familiarizado con los riesgos involucrados y las regulaciones pertinentes. Las reparaciones inapropiadas pueden causar graves peligros.
- Los dispositivos eléctricos no son juguetes. Mantenga los dispositivos eléctricos fuera del alcance de los niños o de los adultos mayores. No les permita usar dispositivos eléctricos sin supervisión.
- Evite que las personas inexpertas utilicen el dispositivo sin supervisión.
- No quite la cubierta superior del aire acondicionado para techo en caso de incendio. En cambio, utilice agentes extintores aprobados. No utilice agua para apagar los incendios.

⚠ PRECAUCIÓN

- El aire acondicionado para techo debe instalarse de manera segura para que no se caiga.
- Solo opere el aire acondicionado para techo si está seguro de que la carcasa y los cables no estén dañados.
- No use el aire acondicionado para techo cerca de líquidos inflamables o en habitaciones cerradas.
- Asegúrese de no almacenar o instalar objetos comestibles cerca de la salida de aire. Se debe mantener una distancia de al menos 20" (51,8 cm).
- No toque las salidas de aire ni inserte objetos extraños en el dispositivo.
- Utilice este dispositivo únicamente para los usos previstos.
- No haga ninguna alteración ni conversión en el dispositivo.
- Si se producen fallas en el circuito del refrigerante, un técnico de servicio certificado debe verificar el sistema y repararlo de manera adecuada. Nunca se debe liberar refrigerante en el aire.

Manipulación de cables eléctricos

⚠ ADVERTENCIA

Únicamente un electricista calificado puede conectar el suministro de energía.

⚠ PRECAUCIÓN

- Consulte el Código Eléctrico Nacional (NEC) para conocer el calibre adecuado de los cables (CAE) según la longitud del cable y el valor nominal de protección contra sobrecorriente del cable que brinda alimentación al aire acondicionado.
- Consulte la placa de identificación de la unidad para el techo para conocer el tamaño adecuado de la protección contra sobrecorriente.
- Sujete y tienda los cables de manera tal que no se activen ni se dañen.

ANTES DE LA INSTALACIÓN

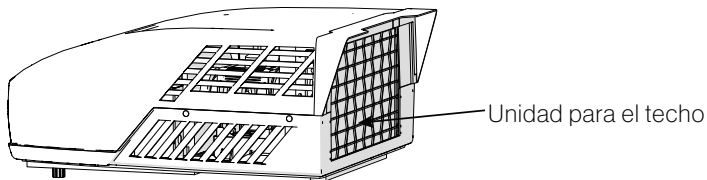
Lea este manual de instalación en su totalidad antes de instalar el aire acondicionado para techo.

Se deben respetar las siguientes sugerencias e instrucciones al instalar el aire acondicionado para techo.

Qué hay en la caja

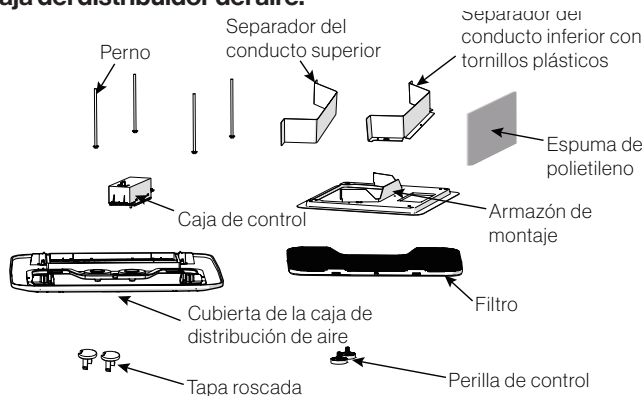
Abra la caja y saque los componentes. Asegúrese de que todos los siguientes elementos estén incluidos en el embalaje. Si falta alguno, comuníquese con su distribuidor.

Unidad para el techo (se vende por separado):



- Unidad para el techo x 1
- Manual de garantía x 1

Caja del distribuidor del aire:



- Separador del conducto superior x 1
- Separador del conducto inferior x 1
- Pernos x 4
- Armazón de montaje x 1
- Caja de control x 1
- Cubierta de la caja de distribución de aire (air distribution box, ADB) x 1

- Únicamente un electricista calificado debe conectar el aire acondicionado para techo a la energía eléctrica.
- No deje ningún cable suelto o doblado junto a materiales con conductividad eléctrica.
- No tire de los cables.
- Use canalización para cables para tenderlos por las paredes con bordes afilados.
- Consulte la placa de identificación de la unidad para el techo y el Código Eléctrico Nacional (National Electrical Code, NEC) para conocer el valor de suministro de energía.

- Filtro x 1
- Espuma de polietileno x 1
- Perilla de control x 2
- Tornillos autorroscantes x 4
- Tapa roscada x 2
- Manual de instrucciones x 1
- Manual de garantía x 1

Elección de la ubicación adecuada para el aire acondicionado

IMPORTANTE: El techo debe estar diseñado para soportar el peso de la unidad para el techo y el de 2 instaladores parados sobre este.

Hay dos formas de instalar el aire acondicionado para techo:

1. Usar el orificio de ventilación existente en el techo del vehículo.
2. Hacer un nuevo orificio. En este caso, el orificio debe estar reforzado con un armazón adecuado según sea necesario.

Orificio de ventilación existente en el techo

El aire acondicionado está diseñado para caber en un orificio de ventilación existente en el techo de 14" (35,56 cm).

Nuevo orificio

Cuando no hay ninguna ventilación disponible en el techo o se prefiere otra ubicación, se recomienda hacer lo siguiente:

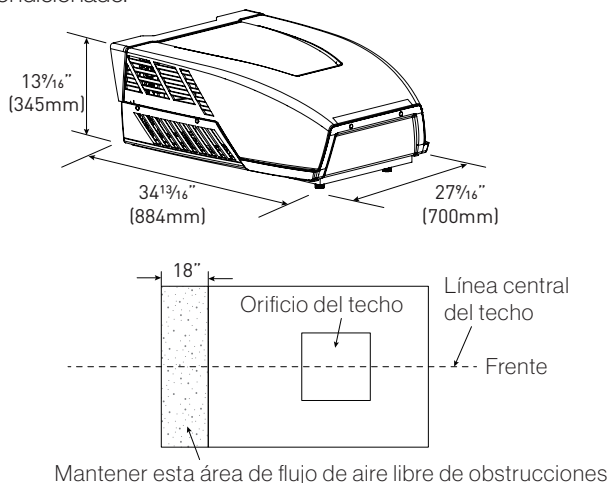
- Para la instalación de una unidad. El aire acondicionado debe montarse levemente hacia adelante con respecto al centro (de adelante hacia atrás) y centrado de lado a lado.
- Para la instalación de dos unidades. Instale un aire acondicionado a una distancia de un tercio desde el frente del vehículo recreativo (recreational vehicle, RV) y el otro, a dos tercios desde el frente del RV, alineado en el centro.

Se prefiere instalar el aire acondicionado en una parte relativamente plana y horizontal del techo, medida cuando el RV está estacionado en una superficie nivelada.

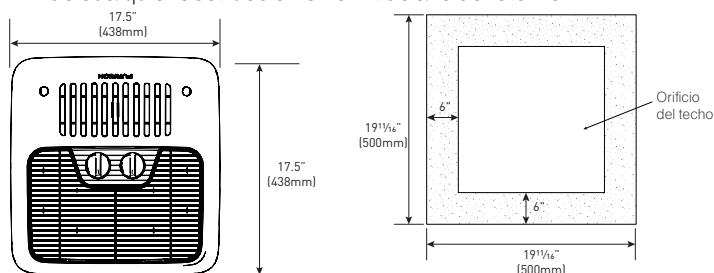
NOTA: Una inclinación de 15° para cualquiera de los lados o de adelante hacia atrás es aceptable para todas las unidades. Si la inclinación del techo supera los 15°, use una cuña niveladora para nivelar el aire acondicionado.

Luego de seleccionar la ubicación:

1. Verifique si hay obstrucciones en el área donde se instalará el aire acondicionado.



2. Inspeccione el interior del RV para comprobar si hay obstrucciones en el kit de aire (es decir, orificios en el techo, separadores de espacio, cortinas, sujetadores en el cielo raso, etc.). Deje un espacio de 6" (152 mm) desde el orificio para dar cuenta de cualquier obstrucción en el kit de aire de retorno.



Preparación del techo

Requisitos del orificio. Antes de preparar el orificio del cielo raso, decida el tipo de opciones del sistema. Lea todas las siguientes instrucciones antes de comenzar la instalación.

⚠ ADVERTENCIA

Peligro de descarga eléctrica/incendio

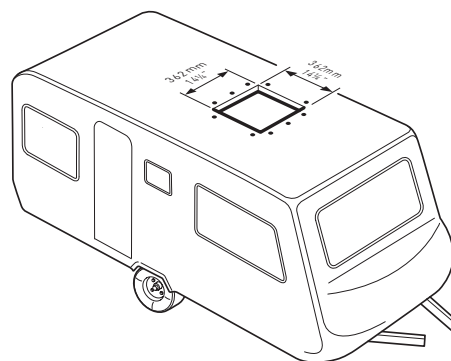
- Asegúrese de que no haya obstáculos dentro del techo del RV, el piso y las paredes, como cables y tubos.
- Cierre el suministro de gas y desconecte la alimentación de 115 V CA desde el RV antes de perforar o cortar el RV. La inobservancia de estas advertencias podría provocar la muerte o lesiones graves.

Grosor del techo

La instalación del aire acondicionado requiere que el techo tenga un grosor de entre 3.5" (90 mm) y 6" (152 mm). Para otros grosores, consulte a Furrion o a un agente de servicio autorizado de Furrion.

Instalación en un orificio existente

1. Desenrosque y retire la ventilación del techo.
2. Retire todo el compuesto sellador que se encuentra alrededor del orificio.
3. Si el orificio excede 14 1/4" (362 mm) x 14 1/4" (362 mm) (+1/2" [12,7 mm]), se deberá ajustar el tamaño de la abertura a 14 1/4" (362 mm) x 14 1/4" (362 mm) (+1/2" [12,7 mm]). Si el tamaño del orificio es menor que 14 1/4" (362 mm) x 14 1/4" (362 mm) (+1/2" [12,7 mm]), es necesario agrandarlo.

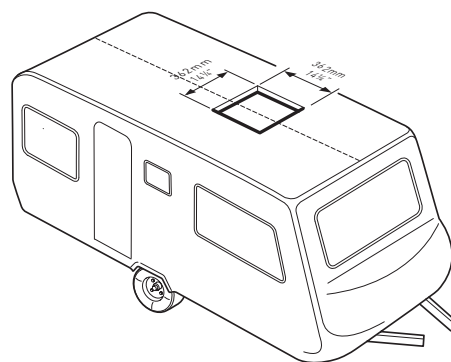


Realización de un nuevo orificio

Si no se utilizará un orificio de ventilación en el techo, se debe cortar un orificio de 14 1/4" x 14 1/4" (362 mm x 362 mm) (+1/2" [12,7 mm]) en el techo y el cielo raso del RV. Este orificio debe estar ubicado entre las piezas de refuerzo del techo.

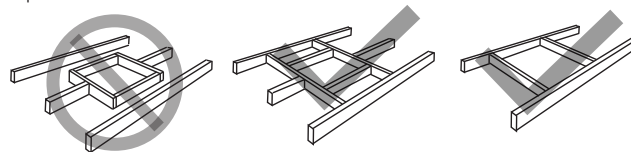
El orificio de 14 1/4" x 14 1/4" (362 mm x 362 mm) (+1/2" [12,7 mm]) forma parte del sistema de aire de retorno del aire acondicionado y el acabado debe realizarse de acuerdo con el Estándar 501C, Sección 2.7.2 de la Asociación Nacional de Protección contra el Fuego (National Fire Protection Association, NFPA).

1. Marque un cuadrado de 14 1/4" x 14 1/4" (362 mm x 362 mm) (+1/2" [12,7 mm]) en el techo y corte cuidadosamente un orificio.



2. Usando el orificio del techo como guía, corte una abertura coincidente en el cielo raso.

NOTA: Mantenga la integridad estructural. De lo contrario, se puede dañar el producto o el RV. Respete siempre las siguientes pautas al estructurar el orificio.



No corte la estructura ni las vigas del techo

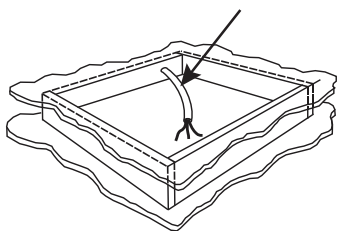
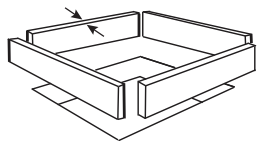
Correcto: vigas sostenidas por vigas transversales

Correcto: ubicación entre las vigas del techo

3. El orificio creado debe tener un armazón para brindar soporte adecuado y evitar que el aire salga de la cavidad del techo.
4. Se debe utilizar madera de 3/4" (19 mm) o más de grosor. Recuerde dejar un orificio de ingreso para los suministros de energía, el termostato de pared y el cableado del horno para realizar las conexiones. Deje un mínimo de 15" (381 mm) en el frente del orificio.

3/4" Min.
(19.05 mm)

Dejar acceso para el
cableado de alimentación



Tamaño y diseño del conducto de distribución de aire

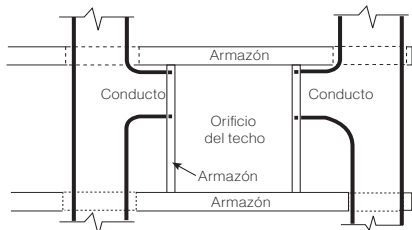
El instalador de este sistema debe diseñar el sistema de distribución de aire para su aplicación particular.

NOTA: Asegúrese de que la red de conductos NO se doble ni colapse durante la instalación ni después de esta, y que esté correctamente aislada y sellada. De otro modo, se puede dañar la estructura del techo y el cielo raso.

Se debe cumplir con los siguientes requisitos para operar la unidad de manera adecuada:

Profundidad de la cavidad del techo	3.5" a 6" (89 mm a 152 mm)	
Área transversal del conducto	21 in ² mín.	
Tamaño del conducto	Profundidad	1½" mín. a 2½" máx. (38 mm mín. a 63,5 mm máx.)
	Ancho	7" mín. a 10" máx. (178 mm mín. a 254 mm máx.)
	Largo total del conducto	15 ft mín. a 40 ft máx. (4,5 m a 13 m)
	Largo del conducto (longitud corta)	Largo total del conducto 1/3
Requisitos del registro por unidad de aire acondicionado	Cant. requerida	4 mín. a 8 máx.
	Área del aire libre del registro de suministro	14 in ² (90 cm ²)
	Área del aire libre del registro de retorno	40 in ² (258 cm ²)
	Distancia desde el extremo del conducto	5" mín. a 8" máx. (127mm mín. a 203mm máx.)
	Distancia desde el codo	15" (381 mm)
Presión total del aire estático del sistema	Soplador a alta velocidad, filtro y rejilla colocados	0,55 a 1,10 W.C.

- Aísle y selle correctamente todos los conductos de descarga de aire para evitar la formación de condensación en su superficie o en las superficies adyacentes durante la operación de la unidad. El aislamiento debe ser R-7 como mínimo.



VISTA SUPERIOR (PARTE TRASERA DEL RV)



VISTA LATERAL (HACIA LA PARTE TRASERA DEL RV)

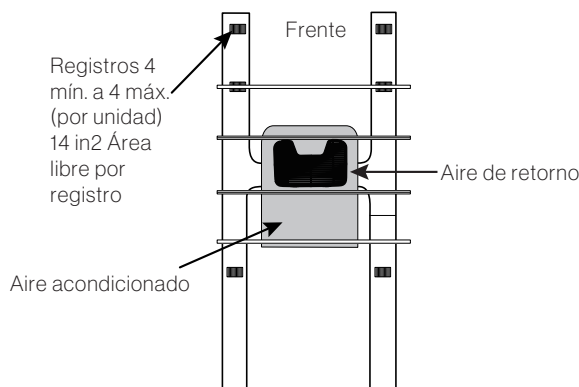
- Los orificios de aire de retorno deben tener un área libre de 80 in² (516 cm²) como mínimo, incluido el filtro.
- Se debe filtrar el aire de retorno a la unidad para evitar la acumulación de suciedad en la superficie de enfriamiento de la unidad.

Instalación del sistema de distribución de aire

Es responsabilidad del instalador revisar cada plano del piso del RV para determinar los siguientes elementos, junto con la sección "Tamaño y diseño del conducto de distribución de aire".

NOTA: Se pueden utilizar configuraciones y métodos alternativos, los cuales permitirán que la unidad funcione de manera adecuada. Sin embargo, estas configuraciones y métodos alternativos DEBEN estar aprobados por escrito por Furrion.

- Tamaño del conducto
- Diseño del conducto
- Tamaño del registro
- Ubicación del registro
- Ubicación del termostato
- Ubicación del sensor de temperatura interior (si corresponde)



Tendido de cables de conexión

El aire acondicionado para techo debe estar conectado a un circuito eléctrico capaz de proporcionar el suministro eléctrico requerido (consulte el capítulo "Especificación").

NOTA: El cable de alimentación debe estar ubicado en la parte frontal del orificio del techo. El suministro eléctrico debe contar con un fusible de retardo de tiempo o un disyuntor. Consulte la placa de identificación de la unidad para el techo para conocer el valor.

⚠ PELIGRO

Peligro de descarga eléctrica

- Desconecte la corriente eléctrica antes de realizar el mantenimiento. La inobservancia de esta advertencia podría provocar la muerte o lesiones graves.
- Conecte a tierra de acuerdo con todos los códigos eléctricos correspondientes. La inobservancia de esta advertencia podría provocar la muerte o lesiones graves.

Consulte las pautas del código eléctrico correspondientes para conocer el tamaño del calibre, el largo y el tipo de cable adecuados.

1. Pase un cable de alimentación de 115 V CA con alambre a tierra desde el fusible de tiempo de retardo o la caja de disyuntores hasta el orificio del techo.
NOTA: Consulte la placa de identificación de la unidad para el techo y el código correspondiente para realizar una instalación adecuada.
2. Utilice un método aprobado para proteger el cable donde este pasa a través del orificio.
3. Pase el cable de 115 V CA a través del orificio hacia el interior del vehículo. Asegúrese de que un cable de suministro de al menos 15" (381 mm) se extienda dentro del orificio del techo. Esto garantiza una conexión sencilla en la caja de control.

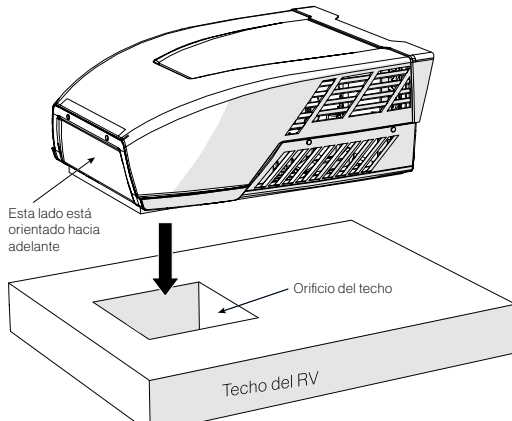
INSTALACIÓN

Instalación de la unidad para el techo

⚠ PRECAUCIÓN

- La unidad para el techo pesa aproximadamente 100 libras (45 kg). Para evitar lesiones en la espalda, use un guinche mecánico al elevar o mover la unidad. La inobservancia de esta advertencia podría provocar lesiones.
- No deslice la unidad. Esto puede dañar la junta en la parte inferior de la unidad para el techo y provocar fugas.
- No agarre las ranuras de ventilación para levantar la unidad para el techo.

Sostenga la parte inferior de la unidad, eleve y ubique la unidad para el techo en el orificio preparado usando la junta ubicada en la parte inferior de la unidad para el techo como guía.



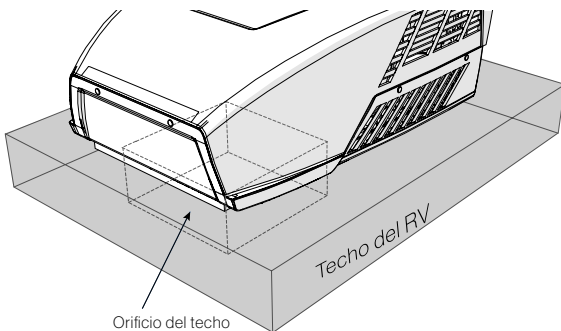
Esto completa la instalación externa de la unidad para el techo. Se pueden hacer ajustes menores desde el interior del RV, si es necesario.

Instalación de la caja de distribución de aire

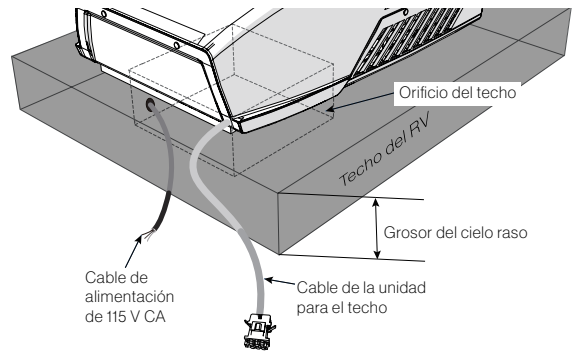
NOTA: La instalación de la caja de distribución de aire es igual para las estructuras con conductos y sin conductos.

La unidad para el techo se fija en el RV usando 4 pernos largos a través del armazón de montaje desde el interior del cielo raso del RV.

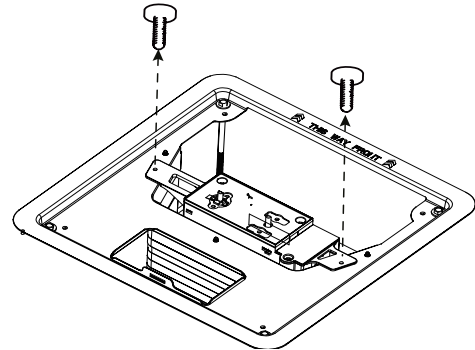
1. Verifique la alineación de la junta de la unidad para el techo dentro del RV sobre el orificio del techo y ajuste según sea necesario levantando la unidad y moviéndola lentamente.



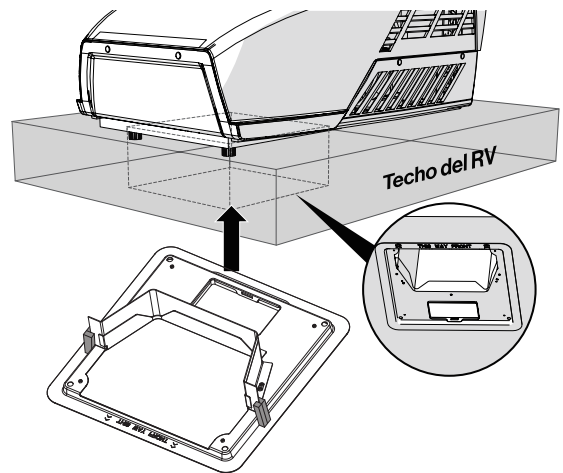
2. Llegue hasta el orificio del aire de retorno y tire del cable eléctrico de la unidad para el techo. Tire hacia abajo del cable de alimentación de 115 V CA desde el área de corte para realizar una conexión futura.



3. Retire la caja de control del armazón de montaje desenroscando los dos tornillos en los soportes de la caja de control.

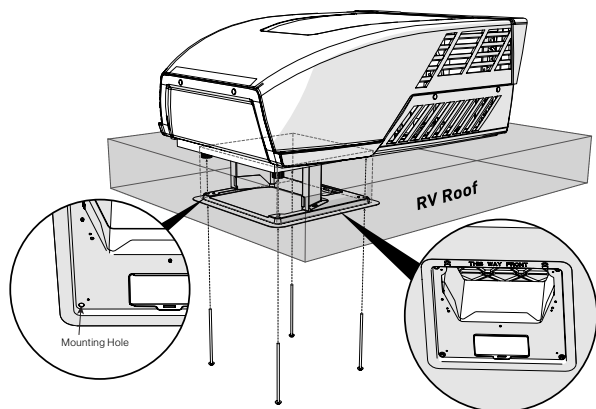


4. Instale el armazón de montaje ensamblado y el separador del conducto inferior dentro del orificio del techo. Asegúrese de que la marca que indica **"THIS WAY FRONT"** (ESTE LADO HACIA ADELANTE) esté orientada hacia adelante (la dirección del vehículo) durante la instalación.

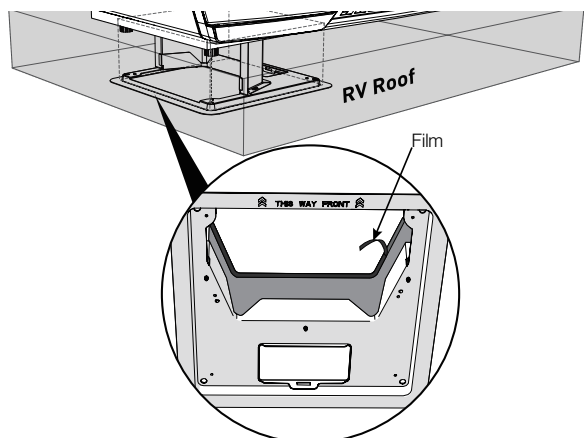


5. Fije el armazón de montaje ensamblado y el separador del conducto inferior en el techo usando los 4 pernos proporcionados. Ajuste de manera uniforme los cuatro pernos con un par de torsión de 40 a 50 pulgadas/libra. Esto comprimirá la junta del techo a aproximadamente 1/2" (12,7 mm).

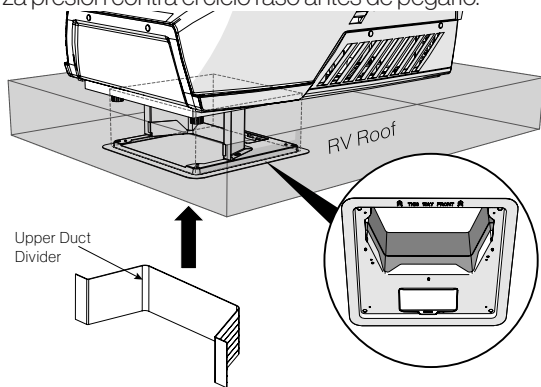
NOTA: Si los pernos quedan flojos, es posible que el techo no quede bien sellado, o bien, si quedan demasiado ajustados, se puede dañar la base del techo o el armazón de montaje.



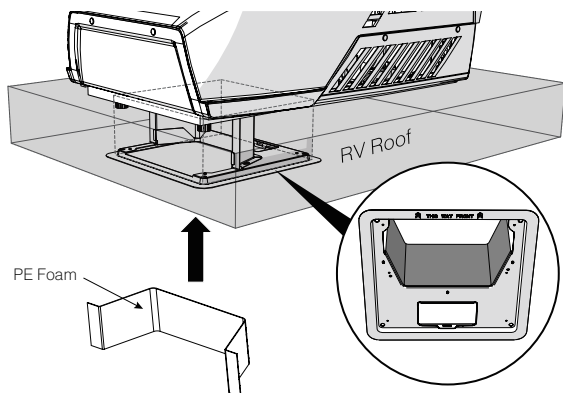
6. Tire de la película de la cinta con pegamento de doble cara que se encuentra en el lado superior interno del separador del conducto inferior para retirarla.



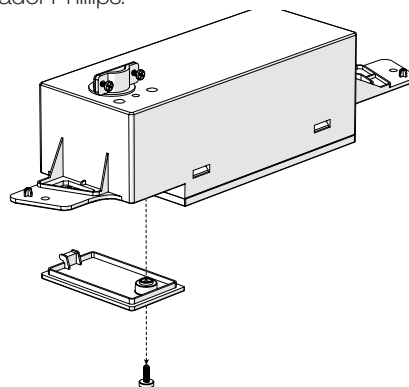
7. Pegue el separador del conducto inferior al armazón de montaje.
NOTA: Asegúrese de que el separador del conducto superior ejerza presión contra el cielo raso antes de pegarlo.



8. Retire el papel antiadhesivo de la espuma de polietileno, superponga el lado con pegamento sobre todos los espacios y comprima para sellar y aislar toda la sección.



9. Retire la tapa del compartimiento de los cables usando un destornillador Phillips.



⚠ PELIGRO

Peligro de descarga eléctrica

- Desconecte la corriente eléctrica antes de realizar el mantenimiento. La inobservancia de esta advertencia podría provocar la muerte o lesiones graves.
- Conecte a tierra de acuerdo con todos los códigos eléctricos correspondientes. La inobservancia de esta advertencia podría provocar la muerte o lesiones graves.

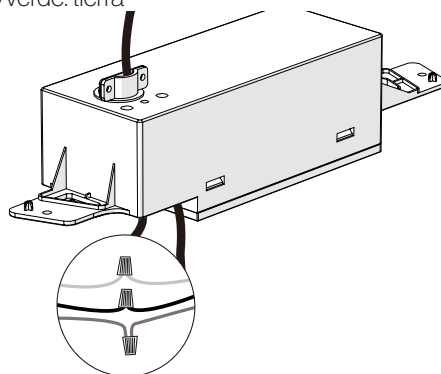
10. Afloje el sujetador de cables en la parte superior de la caja de control y pase el cable de alimentación de 115 V CA a través del sujetador de cables. Realice la conexión del suministro de energía de 115 V CA a la caja de control y asegúrese de que los cables estén correctamente aislados usando tapas enroscables.

NOTA: Respete siempre el código de color mientras conecta los cables.

Negro: activo

Blanco: neutro

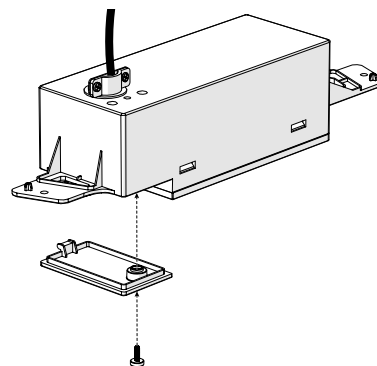
Amarillo/verde: tierra



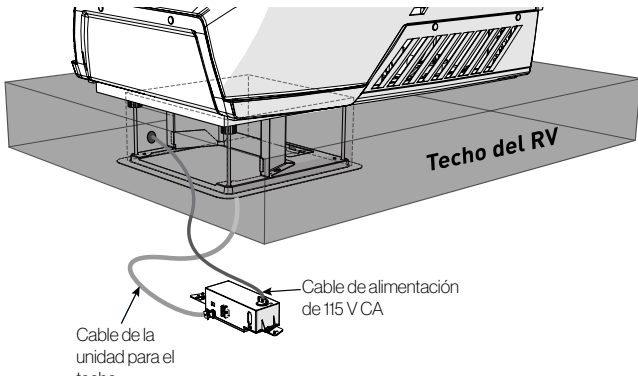
11. Ajuste el sujetador de cables hasta que el cable quede bien enganchado.

NOTA: No ajuste en exceso.

12. Coloque todos los cables dentro del compartimiento para cables y pliegue hacia arriba los excesos de cable. Ajuste la tapa con tornillos.

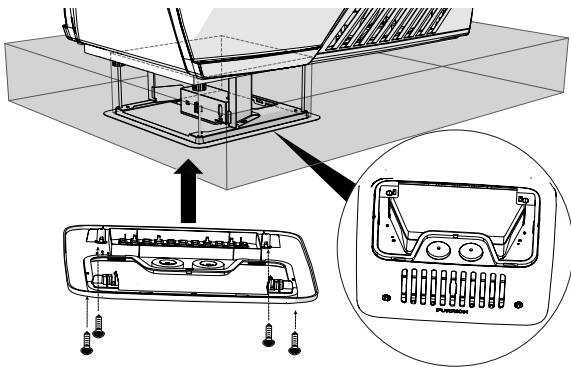


13. Conecte los alambres del cable de la unidad para el techo a la caja de control. El cable de alimentación de 115 V CA se conecta a la fuente de alimentación de 115 V CA.

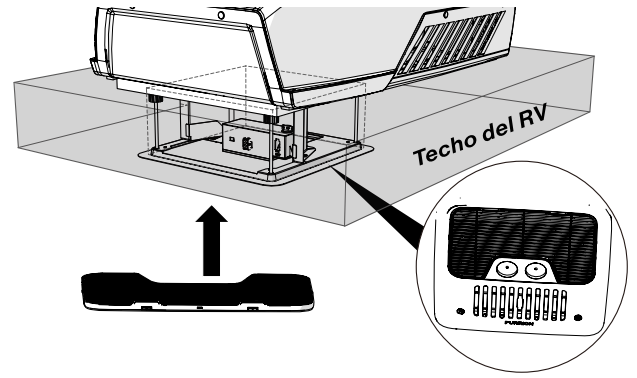


14. Instale la cubierta de la caja de distribución de aire (Air Distribution Box, ADB) sobre el armazón de montaje y fíjela con 4 tornillos autorroscantes.

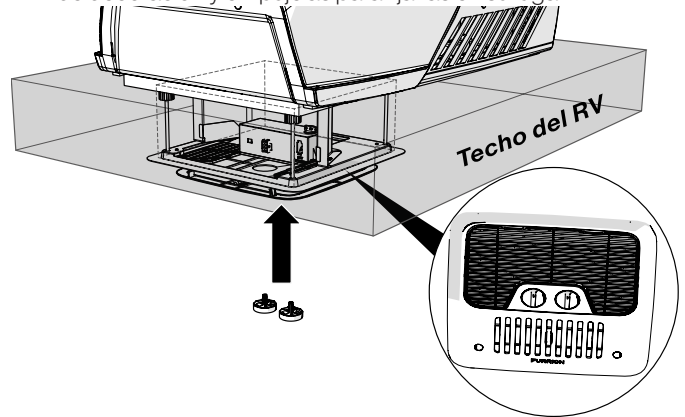
NOTA: Asegúrese de que la marca que indica "THIS WAY FRONT" (ESTE LADO HACIA ADELANTE) esté orientada hacia adelante (la dirección del vehículo) durante la instalación.



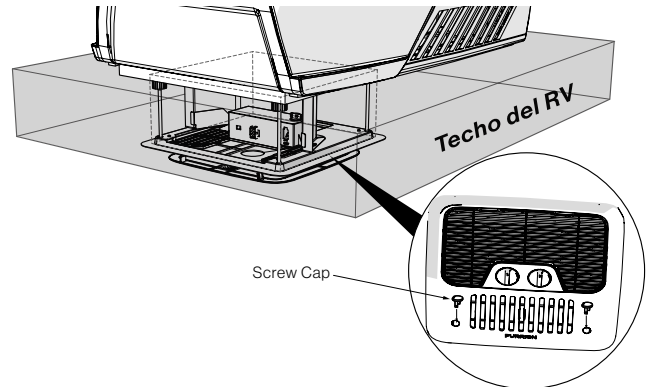
15. Alinee las lengüetas del filtro con las ranuras de acoplamiento y empuje para encajar los filtros dentro de la cubierta de la ADB.



16. Instale las dos perillas de control a través de los orificios en la placa de decoración y empújelas para fijarlas en su lugar.



17. Instale las tapas roscadas para cubrir los orificios de los tornillos.



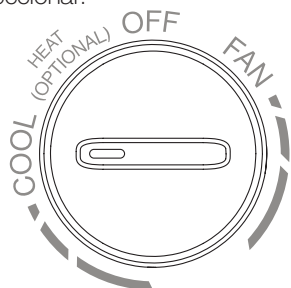
Ahora su nuevo aire acondicionado para techo está completamente instalado en el techo del RV.

FUNCIONAMIENTO

Su nuevo aire acondicionado para techo está diseñado con 2 perillas de control, lo que le permite configurar el punto de ajuste de temperatura y cambiar el modo de funcionamiento del aire acondicionado.

Cambio del modo de funcionamiento

Gire la perilla de control de modo de funcionamiento para seleccionar el modo de funcionamiento deseado. Hay 3 modos de funcionamiento disponibles para seleccionar:



MODO VENTILADOR

Gire la perilla de control de modo de funcionamiento a la posición FAN (VENTILADOR).

MODO ENFRIAMIENTO

Gire la perilla de control de modo de funcionamiento a la posición COOL (ENFRIAMIENTO).

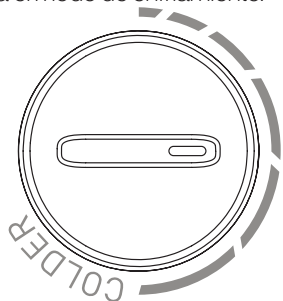
MODO APAGADO

Gire la perilla de control de modo de funcionamiento a la posición OFF (APAGADO).

Configuración de la temperatura

Configure la temperatura a un nivel con el que se sienta cómodo girando la perilla de control de temperatura. El ventilador funcionará de manera continua para hacer que el aire circule y mantener una temperatura uniforme.

NOTA: El modo de configuración de temperatura solo está disponible cuando se selecciona el modo de enfriamiento.



1. Gire la perilla de control de modo de funcionamiento a la posición Cool (Enfriamiento).
2. Gire la perilla de control de temperatura hasta el nivel deseado.

Instrucciones de descongelamiento y anticongelamiento

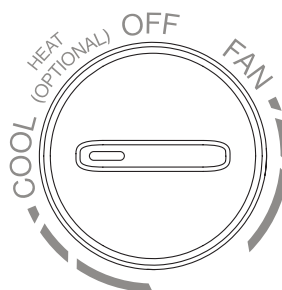
La escarcha o incluso el hielo formado en parte de la bobina del evaporador o en la totalidad de esta no son inusuales bajo ciertas condiciones o en una combinación de condiciones:

1. El aire acondicionado funciona con un ajuste de temperatura muy baja.

2. El aire acondicionado funciona a una velocidad muy baja del ventilador.
3. La salida de aire del aire acondicionado está obstruida; por ejemplo, el obturador de la salida de aire frío o las ventilaciones de los conductos están cerrados, o bien, los filtros están obstruidos.
4. La temperatura ambiente es relativamente baja, p. ej. $\leq 78^{\circ}\text{F}$ ($25,5^{\circ}\text{C}$).

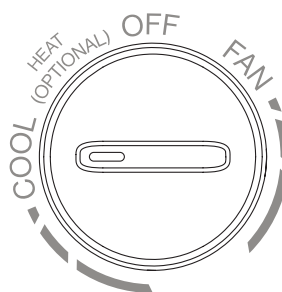
Si se genera escarcha o hielo, siga las instrucciones que constan a continuación para limpiarlos.

¿Cómo limpiar la escarcha o el hielo?



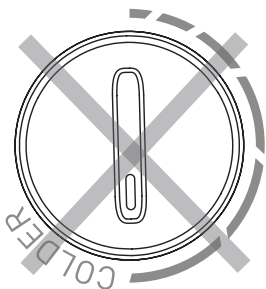
Gire la perilla de control de modo de funcionamiento al modo "HIGH FAN" (Alta velocidad del ventilador) (como se muestra a continuación) y mantenga el aire acondicionado funcionando durante media hora. Luego, la escarcha y el hielo se derretirán y se desprenderán de la bobina del evaporador, y el aire acondicionado continuará funcionando. **ADVERTENCIA:** Durante el proceso de descongelamiento y anticongelamiento, la escarcha y el hielo se derretirán, y el agua podría gotear desde el kit de ajuste hasta el piso o los muebles. Asegúrese de haber preparado protecciones para el piso o los muebles por adelantado, o bien, puede usar un balde para juntar agua.

¿Cómo operar el aire acondicionado luego del congelamiento?



Gire la perilla de control de modo de funcionamiento al modo "HIGH FAN" (Alta velocidad del ventilador) (como se muestra a continuación) y mantenga el aire acondicionado funcionando durante media hora. Luego, la escarcha y el hielo se derretirán y se desprenderán de la bobina del evaporador, y el aire acondicionado continuará funcionando. **ADVERTENCIA:** Durante el proceso de anticongelamiento, la escarcha y el hielo se derretirán, y el agua podría gotear desde el kit de ajuste hasta el piso o los muebles. Asegúrese de haber preparado protecciones para el piso o los muebles por adelantado, o bien, puede usar un balde para juntar agua.

¿Cómo evitar la formación de escarcha o hielo en el aire acondicionado?



- Para evitar el congelamiento, no gire la perilla de control de temperatura a la posición "MAX COOL" (Enfriamiento máximo) (como se muestra arriba) por la noche.
- Cuando la perilla de control de modo de funcionamiento está en la posición del modo "COOL" (Enfriamiento), siempre mantenga al menos 2 ventilaciones del conducto abiertas para evitar el congelamiento.

ADVERTENCIA: El aire acondicionado puede congelarse cuando la temperatura ambiente es relativamente baja, p. ej., ≤ 78 °F (25,5 °C).

LIMPIEZA Y MANTENIMIENTO

Un filtro bloqueado afectará el rendimiento del enfriamiento y la calefacción de la unidad de manera significativa.

Se debe limpiar el filtro de manera periódica para garantizar que no se tape con suciedad y otras partículas. El estado del filtro se puede verificar a partir de su aspecto. Si parece estar sucio u obstruido, es necesario limpiarlo.

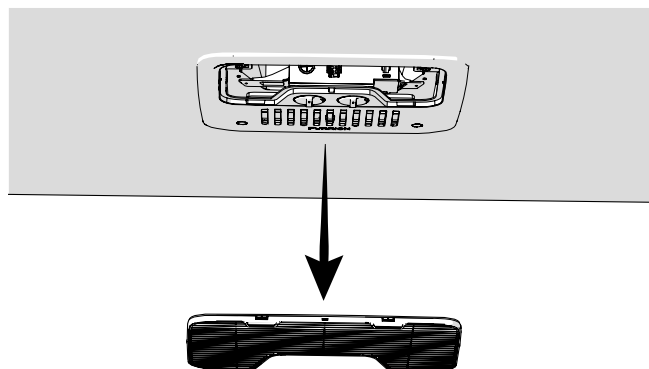
⚠ ADVERTENCIA

Las partículas transportadas por el aire pueden representar un riesgo para la salud, en especial para los niños pequeños y los adultos mayores. Limpie los filtros en un área segura y bien ventilada.

Para limpiar el filtro

Se debe limpiar el filtro cada cuatro semanas o más cuando está en uso. El uso prolongado, las concentraciones más elevadas de partículas transportadas por el aire y varios otros factores pueden hacer que sea necesario realizar una limpieza más frecuente.

1. Retire los filtros empujando las lengüetas para liberarlos. (Fig. 18)



2. El filtro se puede lavar con agua tibia jabonosa. Se debe tener cuidado de no rasgar la tela.
3. Reemplace los filtros, la placa de decoración y las perillas de control invirtiendo el proceso anterior.

NOTA: Se debe dejar secar el filtro por completo antes de volver a instalarlo.

Para reemplazar el filtro

Los cambios de filtro deben realizarse según el uso. Se recomienda cambiarlo al menos cada 12 meses. Nunca opere el sistema de aire acondicionado sin un filtro, ya que esto puede disminuir el rendimiento y la calidad del aire en el interior.

Los filtros de aire de retorno de reemplazo se pueden pedir directamente a Furrion.

SOLUCIÓN DE PROBLEMAS

Problema	Causa	Solución
El aire acondicionado para techo se enciende solo	El sensor de congelación se ha activado.	La temperatura exterior es demasiado baja o todas las boquillas de aire están cerradas.
No enfría bien	El aire acondicionado para techo no está configurado en frío.	Configure el aire acondicionado para techo en frío.
	La temperatura configurada es demasiado alta.	Seleccione una temperatura más baja.
	El ventilador del evaporador está dañado.	Comuníquese con un agente de servicio autorizado o con Furrion (consulte la información de contacto detallada en el reverso de este manual).
	El ventilador del condensador está dañado.	Comuníquese con un agente de servicio autorizado o con Furrion (consulte la información de contacto detallada en el reverso de este manual).
	Las rejillas de toma de aire están bloqueadas u obstruidas.	Retire todas las hojas y cualquier otra suciedad de las rejillas de ventilación del aire acondicionado para techo.
	El soplador es defectuoso.	Comuníquese con un agente de servicio autorizado o con Furrion (consulte la información de contacto detallada en el reverso de este manual).
Ingresa agua al vehículo	Los orificios de drenaje de agua de condensación están obstruidos.	Limpie el agua de condensación de los orificios de drenaje.
	Los sellos están dañados.	Comuníquese con un agente de servicio autorizado o con Furrion (consulte la información de contacto detallada en el reverso de este manual).
El aire acondicionado para techo no enciende.	No hay voltaje de alimentación conectado.	Verifique el suministro de energía.
	El voltaje es demasiado bajo.	Comuníquese con un agente de servicio autorizado o con Furrion (consulte la información de contacto detallada en el reverso de este manual).
	El fusible se quemó o el protector del circuito se activó.	Verifique el fusible eléctrico del suministro de energía.

ESPECIFICACIONES

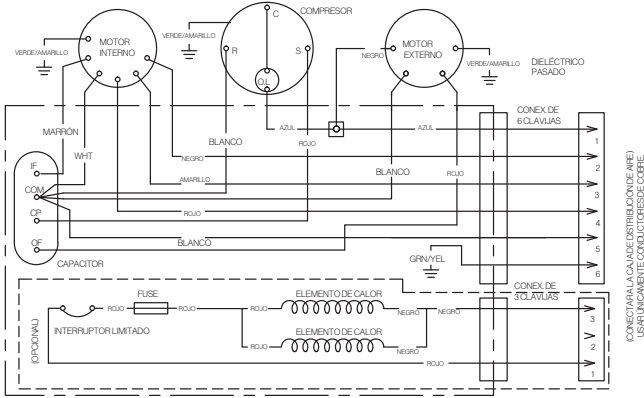
	FACR13HESA-** FACR13HESA-**-AM	FACR14SA-** FACR14SA-**-AM	FACR15SA-** FACR15SA-**-AM	FACR15HESA-** FACR15HESA-**-AM
Capacidad de enfriamiento (Btu/h)	13500	14500	15500	15000
Deshumidificación	1.8	2.7	3.2	3.0
Largo del vehículo correspondiente (pies)	23	26	31	31
Refrigerante	R410A	R410A	R410A	R410A
Carga (Oz)	13.9	19.8	23.1	20.8
Dimensiones de la unidad para techo (L x An x Al) (pulgadas)	34 $\frac{7}{8}$ (88,58 cm) x 27 $\frac{5}{8}$ (70,16 cm) x 13 $\frac{3}{8}$ (34,60 cm)	34 $\frac{7}{8}$ (88,58 cm) x 27 $\frac{5}{8}$ (70,16 cm) x 13 $\frac{3}{8}$ (34,60 cm)	34 $\frac{7}{8}$ (88,58 cm) x 27 $\frac{5}{8}$ (70,16 cm) x 13 $\frac{3}{8}$ (34,60 cm)	34 $\frac{7}{8}$ (88,58 cm) x 27 $\frac{5}{8}$ (70,16 cm) x 13 $\frac{3}{8}$ (34,60 cm)
ELÉCTRICOS				
Voltajes/Frecuencia	115 V~/60 Hz/1 Ph	115 V~/60 Hz/1 Ph	115 V~/60 Hz/1 Ph	115 V~/60 Hz/1 Ph
Vataje de potencia (Enfriamiento)	1283	1620	1720	1760
Amperios (Enfriamiento)	11.3	14.6	15.4	15.6
Calibre mín. del cable de alimentación (mm ²)	AWG12	AWG12	AWG12	AWG12
** Color del producto				

DIAGRAMA DE CABLEADO

⚠ PELIGRO

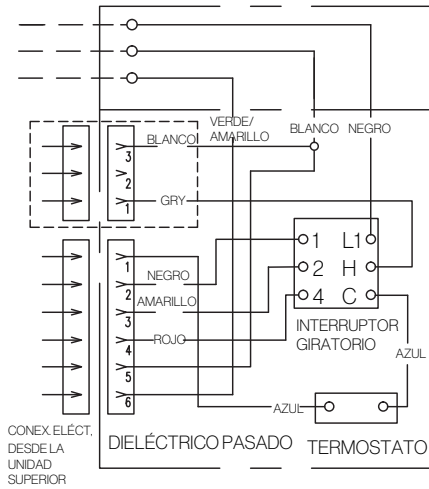
Peligro de descarga eléctrica

- Desconecte la corriente eléctrica antes de realizar el mantenimiento. La inobservancia de esta advertencia podría provocar la muerte o lesiones graves.
- Conecte a tierra de acuerdo con todos los códigos eléctricos correspondientes. La inobservancia de esta advertencia podría provocar la muerte o lesiones graves.



115 V CA 60 HZ 1 PH
 USAR ÚNICAMENTE CONDUCTORES DE COBRE

--- CABLEADO DE CAMPO
 — CABLEADO DE FÁBRICA
 ○ EMPALME DE LA LÍNEA



CONEX. ELÉCT. DESDE LA UNIDAD SUPERIOR



The contents of this manual are proprietary and copyright protected by Lippert. Lippert prohibits the copying or dissemination of portions of this manual unless prior written consent for an authorized Lippert representation has been provided. Any unauthorized use shall void any applicable warranty. The information contained in this manual is subject to change without notice and at the sole discretion of Lippert. Revised editions are available for free download from lippert.com.

Please recycle all obsolete materials.

For all concerns or questions, please contact Lippert
PhL 432-LIPPERT (432-547-7378) | Web: lippert.com | E-mail: customerservice@lci1.com