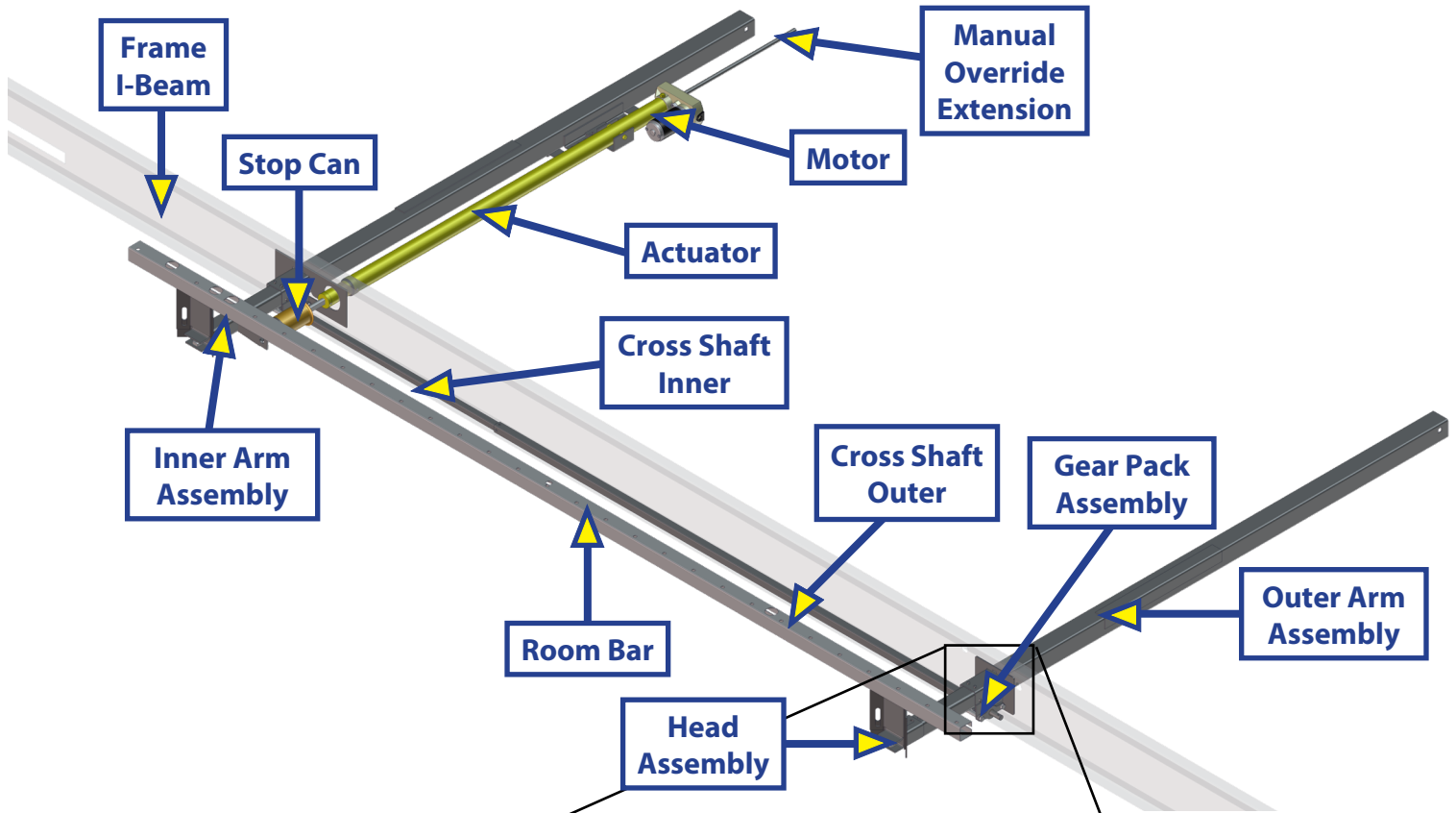


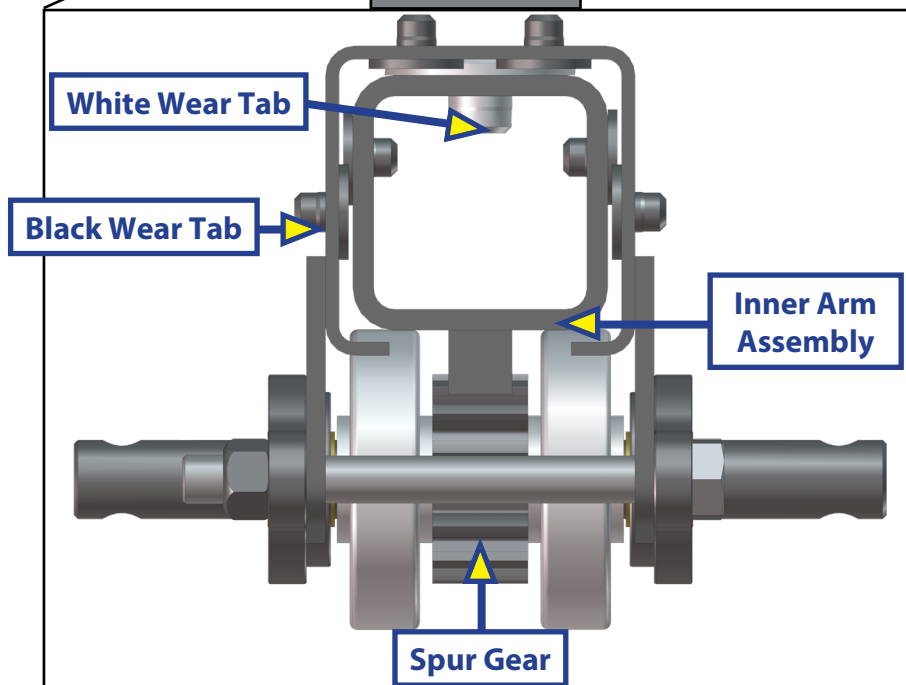
2X2 ELECTRIC THROUGH FRAME SLIDE-OUT ASSEMBLY (WITH ACTUATOR)

SLIDE-OUTS

Electric Through Frame Slide-out with Wear Tabs



Section View



2X2 ELECTRIC THROUGH FRAME SLIDE-OUT ASSEMBLY (WITH ACTUATOR)

SLIDE-OUTS

Electric Through Frame Slide-out with Rear Roller

