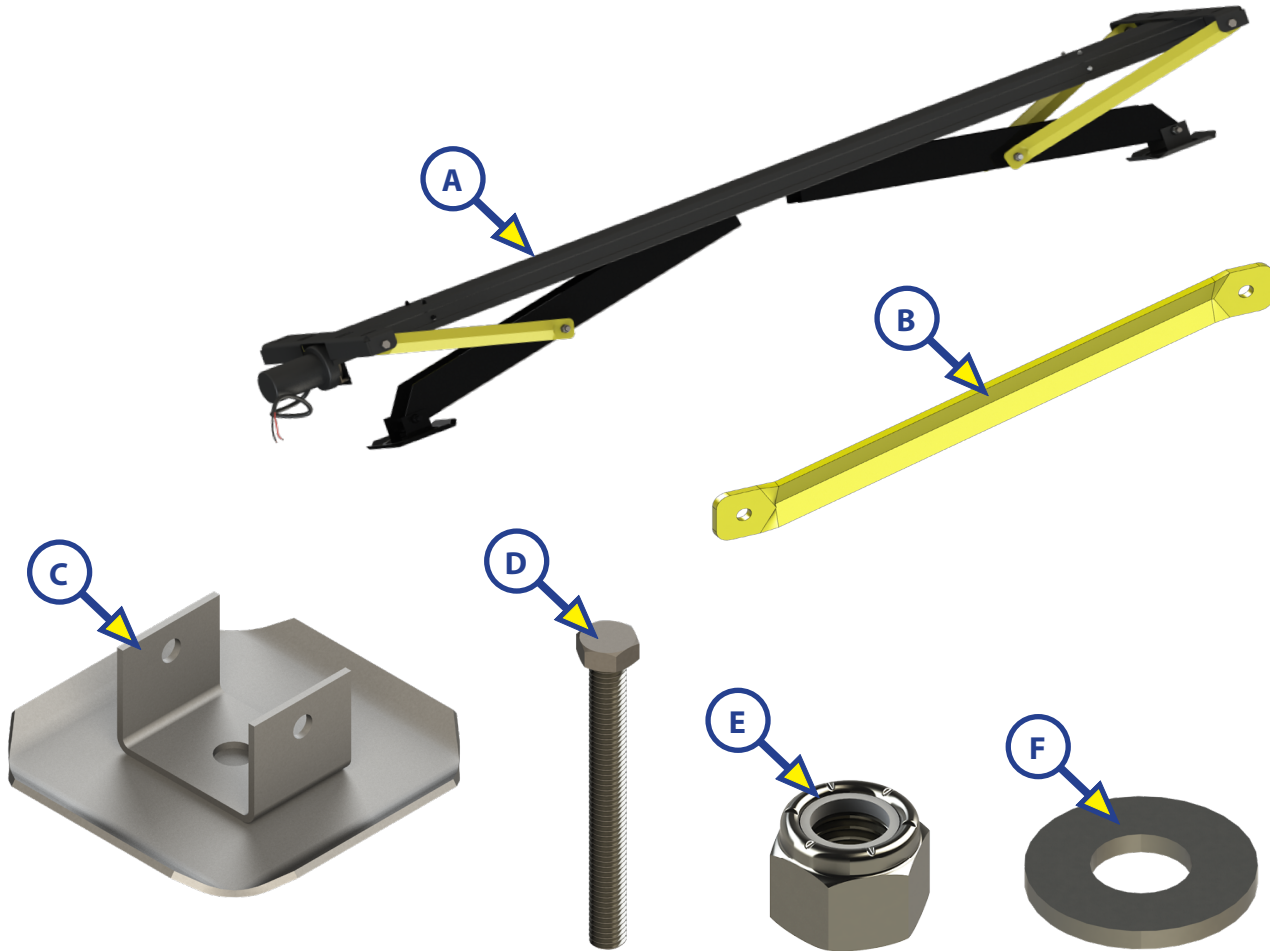


PSX1™ ELECTRIC STABILIZER COMPONENTS

LEVELING AND STABILIZATION

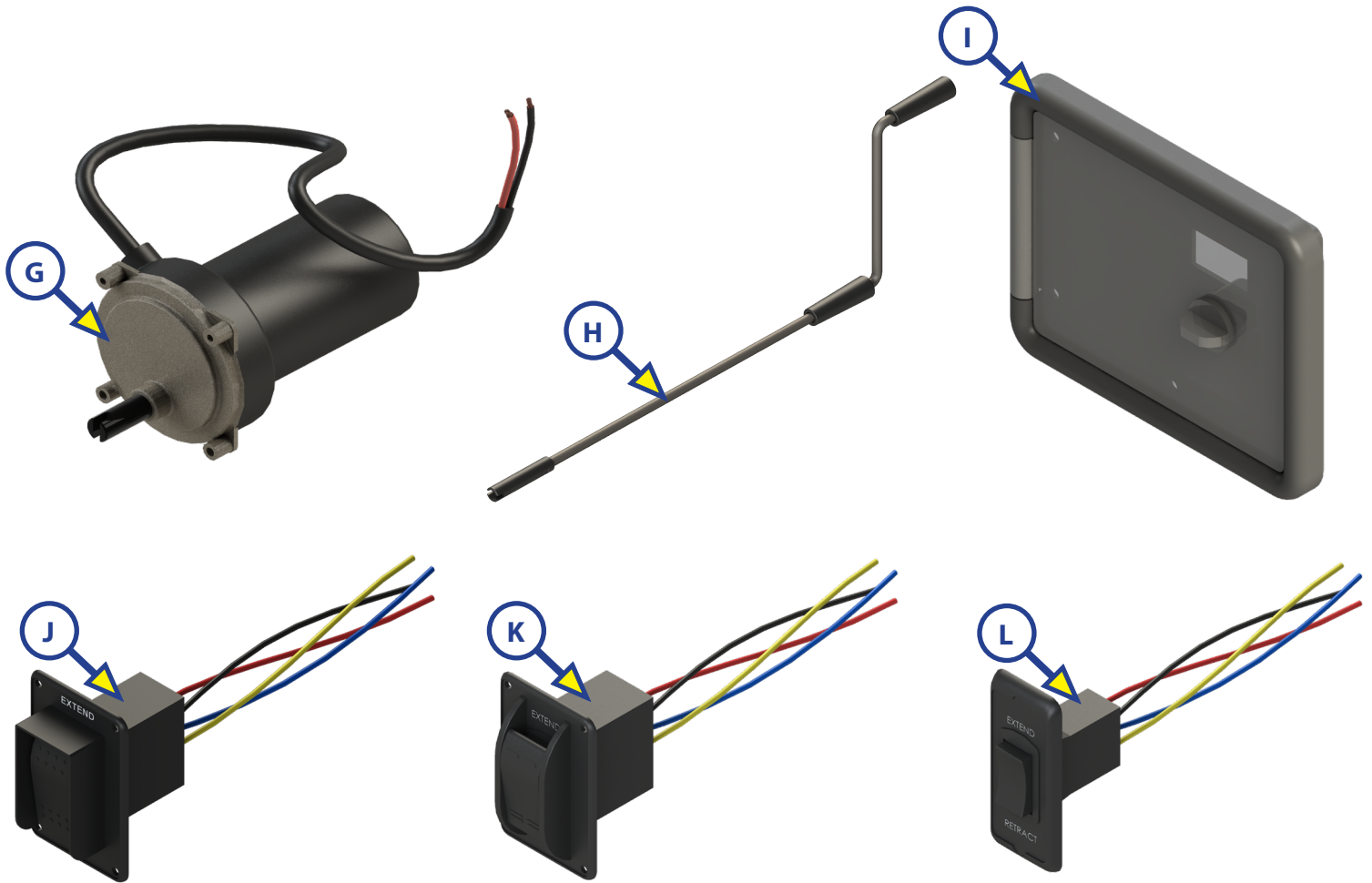
Note: Part numbers are shown for identification purposes only. Not all parts are available for individual sale. All parts with a link to the Lippert Store can be purchased.



Callout	Part #	Description
A	337199	Standard Rear Electric Stabilizer
	300625	Rear Electric Stabilizer w/ Single Spacer (OBSOLETE)
	300626	Rear Electric Stabilizer w/ Offset Spacers
B	1134121	Black Support Arm
	1134122	Yellow Support Arm
C	157584	Foot Assembly (Black)
	372980	Foot Assembly
D	206614	Bolt; 3/8" - 16 x 3.5"
E	118044	Nylon Lock Nut; 3/8" - 16
F	119075	Washer; 3/8"

PSX1™ ELECTRIC STABILIZER COMPONENTS

LEVELING AND STABILIZATION

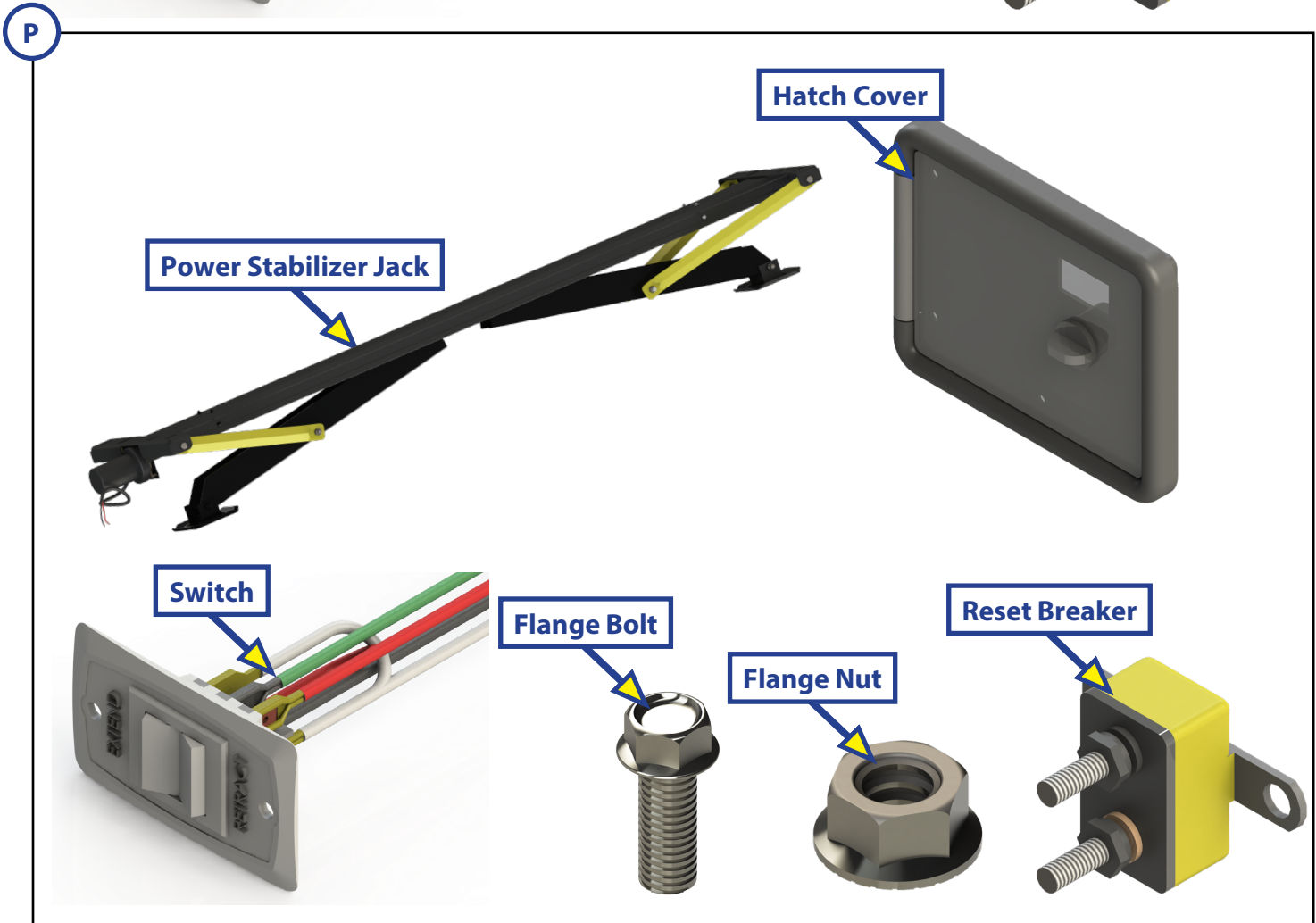
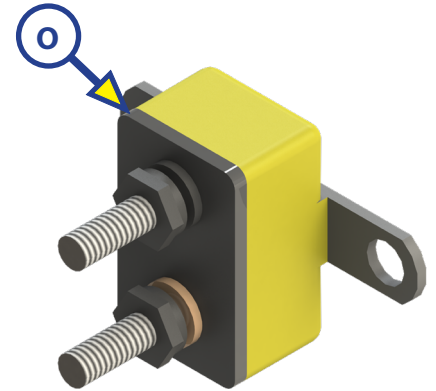
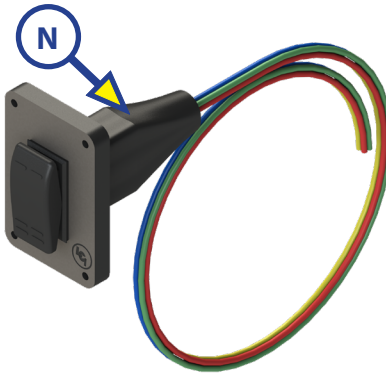
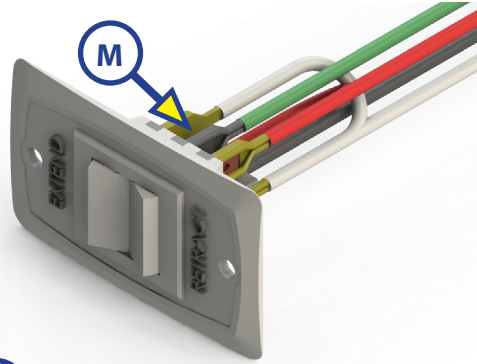


Callout	Part #	Description
G	138445	Klauber C-800 Motor (w/ Plastic Cover)
	352338	Electric Stabilizer Motor
H	119226	Manual Crank Handle
I	258403	Hatch Cover - Black
	134025	Hatch Cover - White
J	387874	Power Stabilizer Switch (Black)
K	344484*	Waterproof Electric Stabilizer Switch with Harness (OBSOLETE - Use 387874)
L	242409	Power Stabilizer Switch and Harness Kit

Note: *When purchasing a switch for exterior use without a waterproof enclosure box, purchase [387874](#).

PSX1™ ELECTRIC STABILIZER COMPONENTS

LEVELING AND STABILIZATION



Callout	Part #	Description
M	144214	Power Stabilizer Switch (White)
N	138415	Non-Waterproof Electric Stabilizer/Hydraulic Landing Gear Switch
O	134181	Reset Breaker
P	298707	Power Stabilizer Jack w/ Waterproof Switch Kit (Black)
	369774	Power Stabilizer Jack w/ Waterproof Switch Kit (White)

Note: The kit includes a Caution Label (258493) and an Electric Stabilizer Jack Decal (239386).