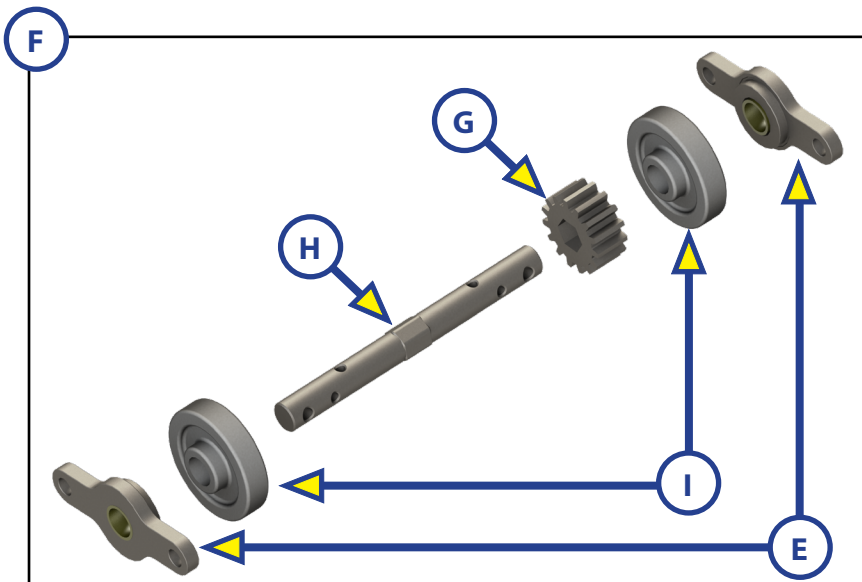
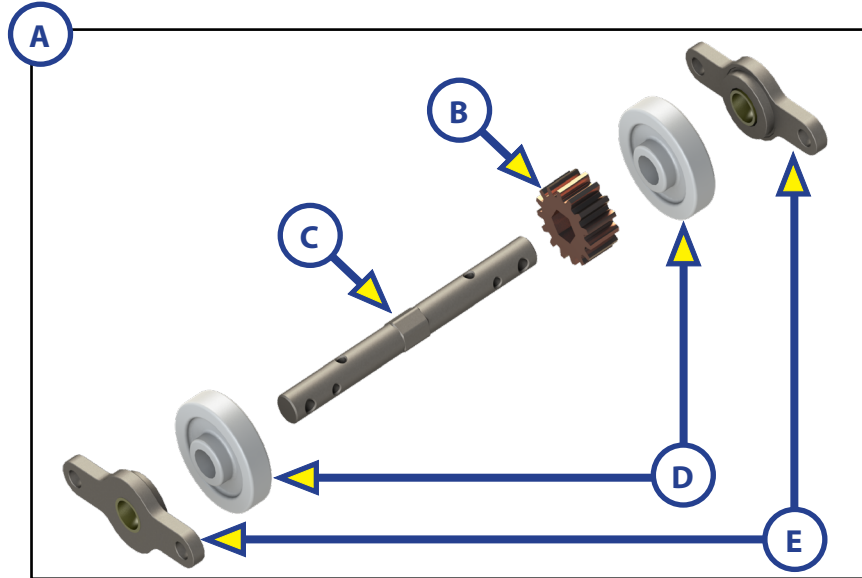


2.5 X 2.5 HYDRAULIC THROUGH FRAME SLIDE-OUT COMPONENTS

SLIDE-OUTS

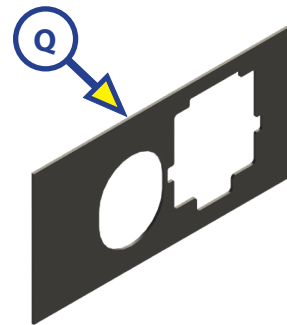
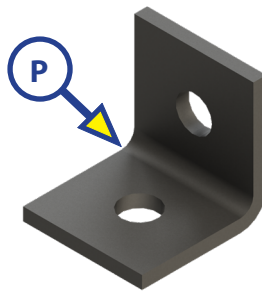
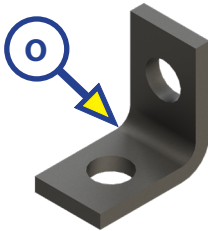
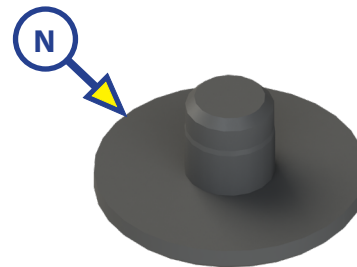
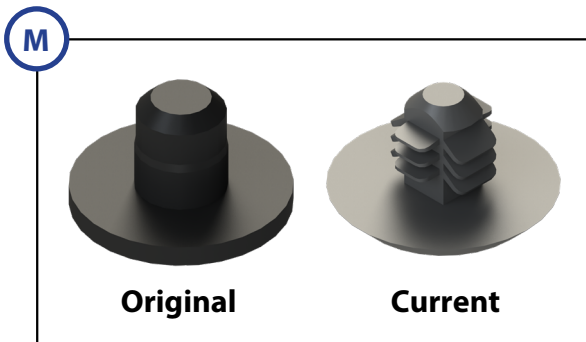
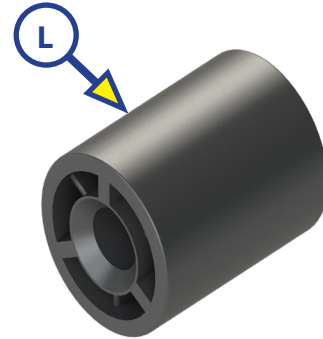
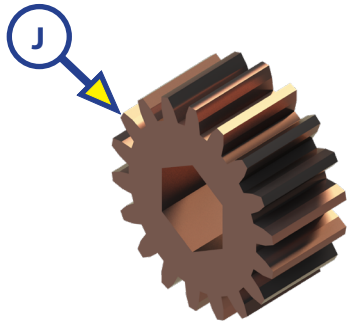
NOTE: Part numbers are shown for identification purposes only. Not all parts are available for individual sale. All parts with a link to the Lippert Store can be purchased.



Callout	Part #	Description
Kit - A	324869	2.5 X 2.5 Gear Pack
B	700612	15 Tooth Gear (10DP/20PA)
C	296415	Rod, 2.5 X 2.5 Drive Shaft
D	288625	2.5 X 2.5 Gear Pack Roller - .625 X 2.365
E	372865	Bearing Side Plate, Graphite - 4.000 X 1.641
Kit - F	123356	2.5 X 2.5 Gear Pack - Heavy Duty w/ Steel Rollers
G	328044	15 Tooth Gear (10DP/20PA), Heavy Duty
H	124150	Rod, 2.5 X 2.5 Drive Shaft Latch, Heavy Duty
I	101256	Steel 2.5 X 2.5 Gear Pack Roller - .625 X 2.365
E	372865	Bearing Side Plate, Graphite - 4.000 X 1.641

2.5 X 2.5 HYDRAULIC THROUGH FRAME SLIDE-OUT COMPONENTS

SLIDE-OUTS

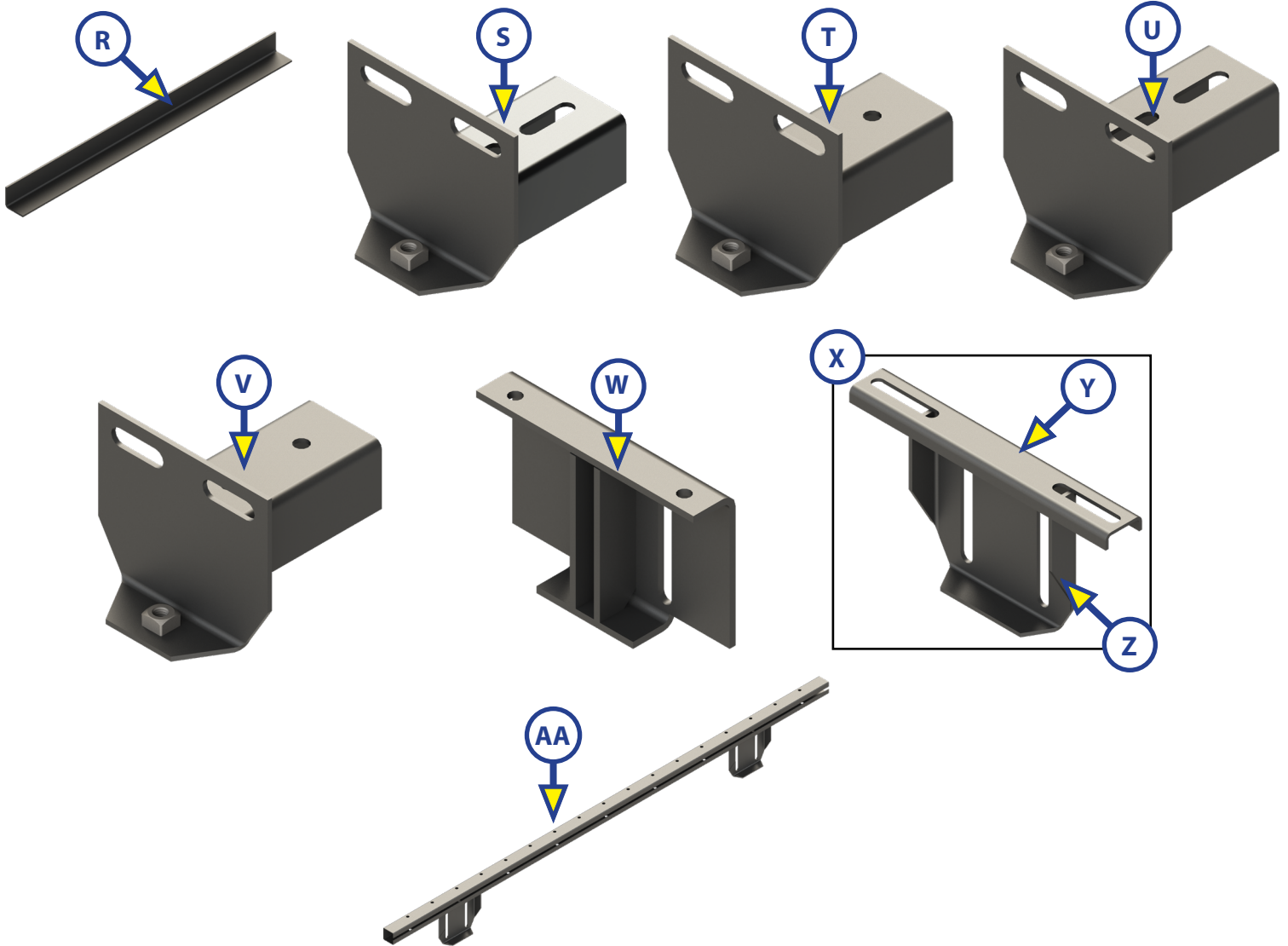


Callout	Part #	Description
J*	122739	18 Tooth Gear (12 DP/ 14.50 PA)
K	105892	Rear Roller Shaft
L	104474	Rear Roller
M	103480	Wear Tab (Original)
		Wear Tab (Current)
N	277882	Wear Tab (for 317322 Outboard Inner Arm)
O	113535	Front Cylinder Bracket
P	106040	Rear Cylinder Bracket
Q	106030	Trim Plate

NOTE: *18 Tooth Gear may be used as a substitute for the 15 Tooth Gear in kits A and F where needed.

2.5 X 2.5 HYDRAULIC THROUGH FRAME SLIDE-OUT COMPONENTS

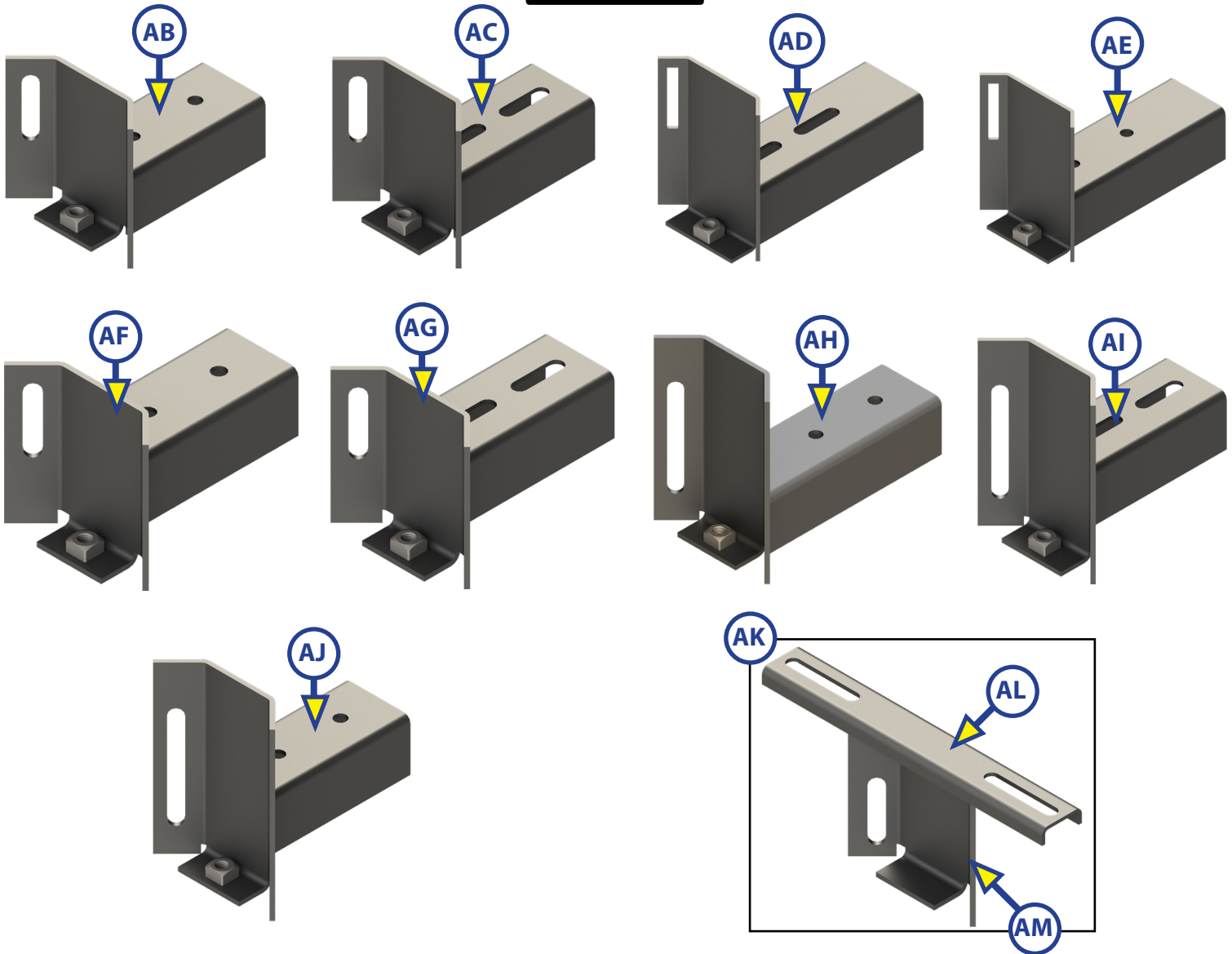
SLIDE-OUTS



Callout	Part #	Description
R	102357	Stiffener
S	119047	Adjustable Flush Head Assembly
T	119048	Fixed Flush Head Assembly
U	122854	Adjustable Head Assembly (1 1/4")
V	122855	Fixed Head Assembly (1 1/4")
W	166536	Flush Floor End Condition
X	226347	Slide Head Assembly (12" Room Bar)
Y	105966	Room Bar Bracket
Z	104851	Slide-Out Mounting Bracket
AA	183949	Room Bar (Use for up to 80")
	183950	Room Bar (Use for 81" to 154")

2.5 X 2.5 HYDRAULIC THROUGH FRAME SLIDE-OUT COMPONENTS

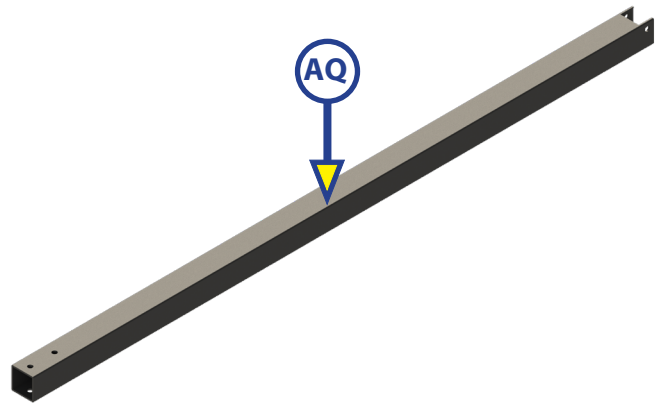
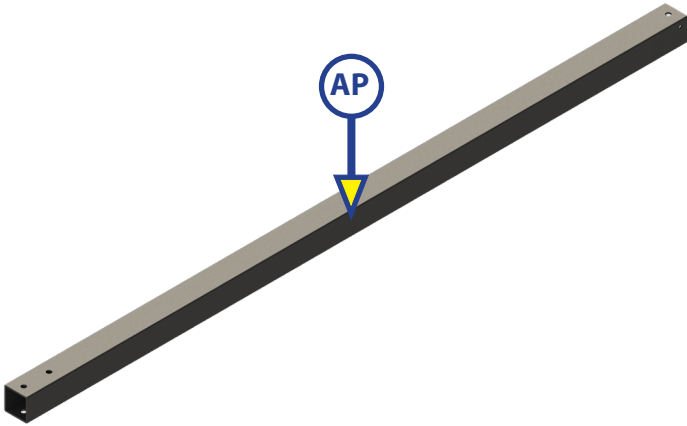
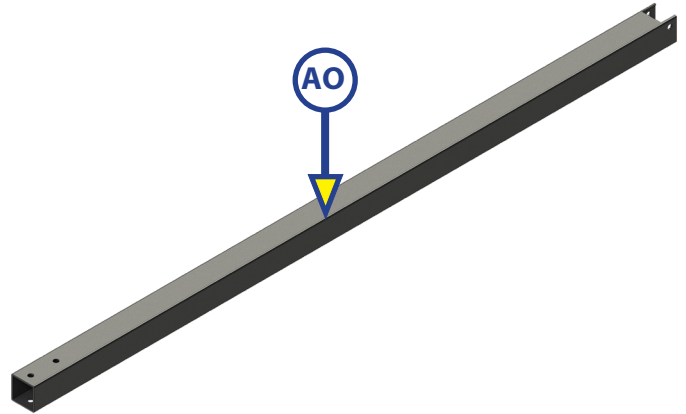
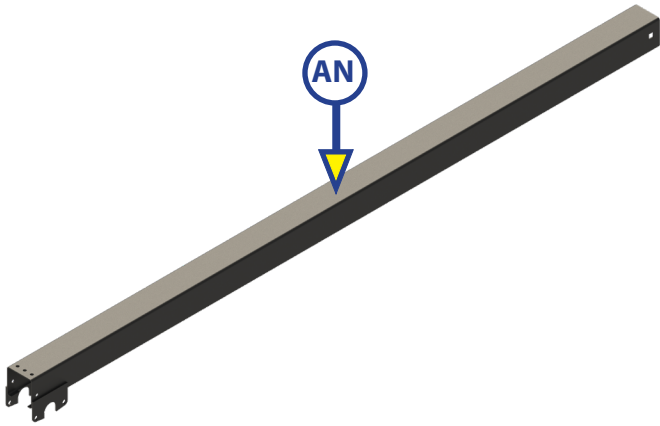
SLIDE-OUTS



Callout	Part #	Description
AB	118127	Flush Fixed Head Assembly
AC	119157	Flush Adjustable Head Assembly
AD	123999	Flush Adjustable, Tall & Extended Head Assembly
AE	124000	Flush Fixed, Tall & Extended Head Assembly
AF	145388	1 3/8" Fixed Head Assembly
AG	145389	1 3/8" Adjustable Head Assembly
AH	146612	Flush Fixed, Tall & Extended Head Assembly
AI	151474	1 3/8" Adjustable Head Assembly
AJ	151475	1 3/8" Fixed Head Assembly
AK	180461	Room Bar Mounting Assembly
AL	105966	Room Bar Bracket
AM	103139	Slide-Out Mounting Bracket

2.5 X 2.5 HYDRAULIC THROUGH FRAME SLIDE-OUT COMPONENTS

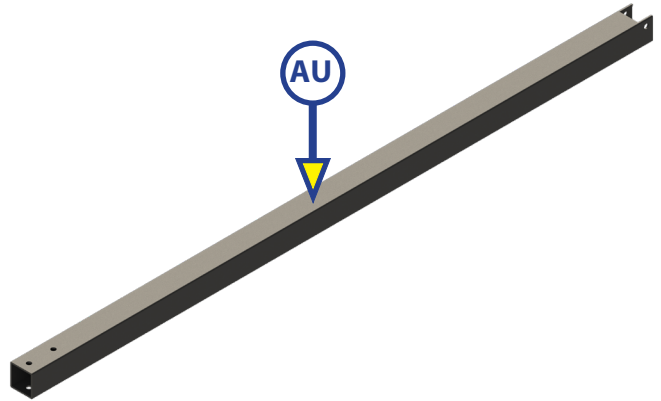
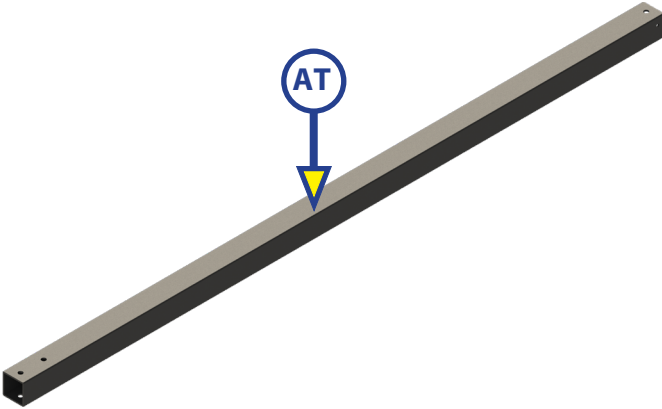
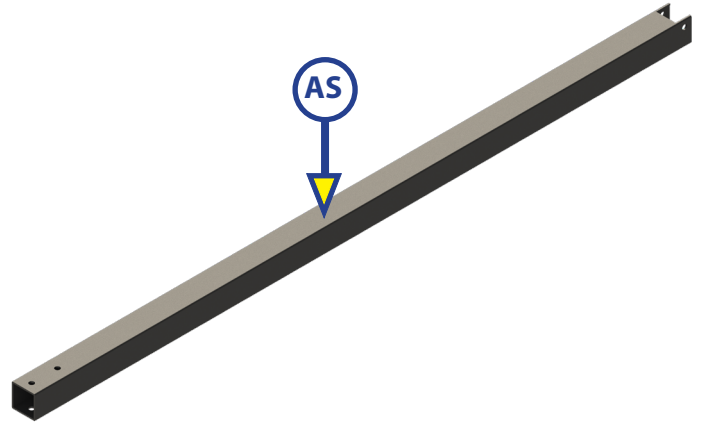
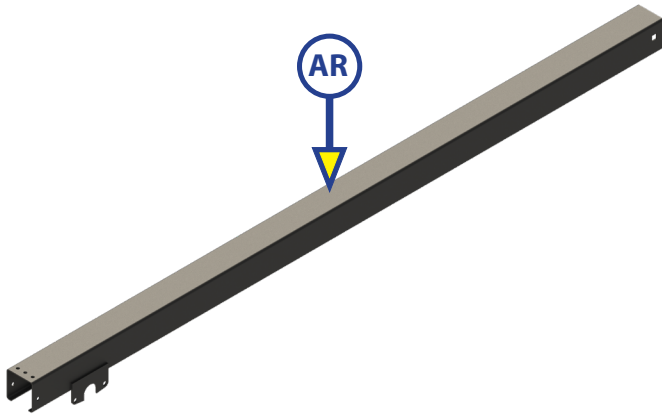
SLIDE-OUTS



Callout	Part #	Description
AN	143674	Outboard Outer Arm (Idler)
AO	143707	Outboard Inner Arm (15 Tooth)
AP	317322	Outboard Inner Arm (No Rear Roller) OBSOLETE
AQ	334647	Outboard Inner Arm (18 Tooth w/ Rear Roller)

2.5 X 2.5 HYDRAULIC THROUGH FRAME SLIDE-OUT COMPONENTS

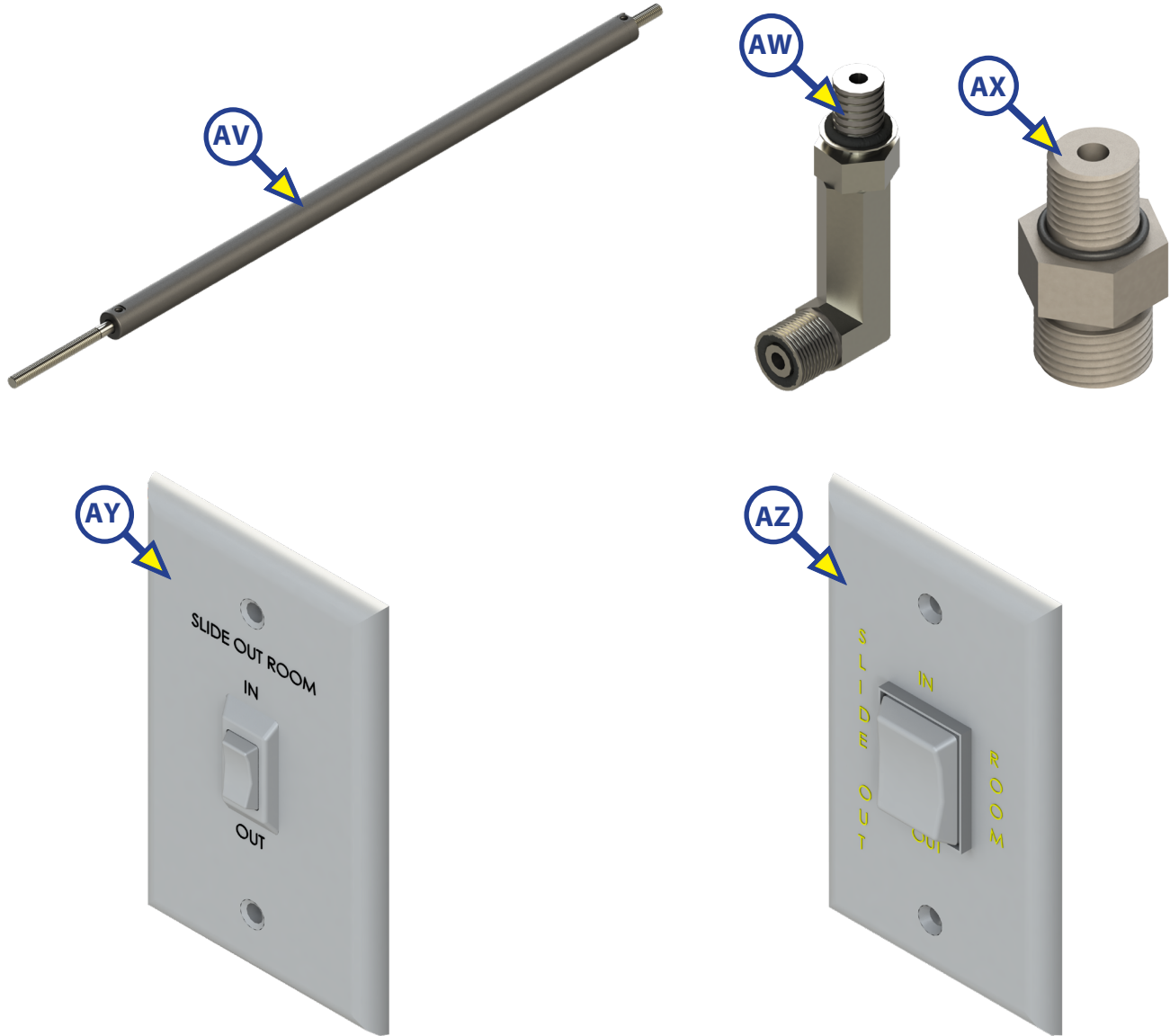
SLIDE-OUTS



Callout	Part #	Description
AR	143676	Inboard Outer Arm (Idler) OBSOLETE
	143677	Inboard Outer Arm (Drive) OBSOLETE
AS	143710	Inboard Inner Arm (15 Tooth)
AT	296121	Inboard Inner Arm (18 Tooth)
AU	334648	

2.5 X 2.5 HYDRAULIC THROUGH FRAME SLIDE-OUT COMPONENTS

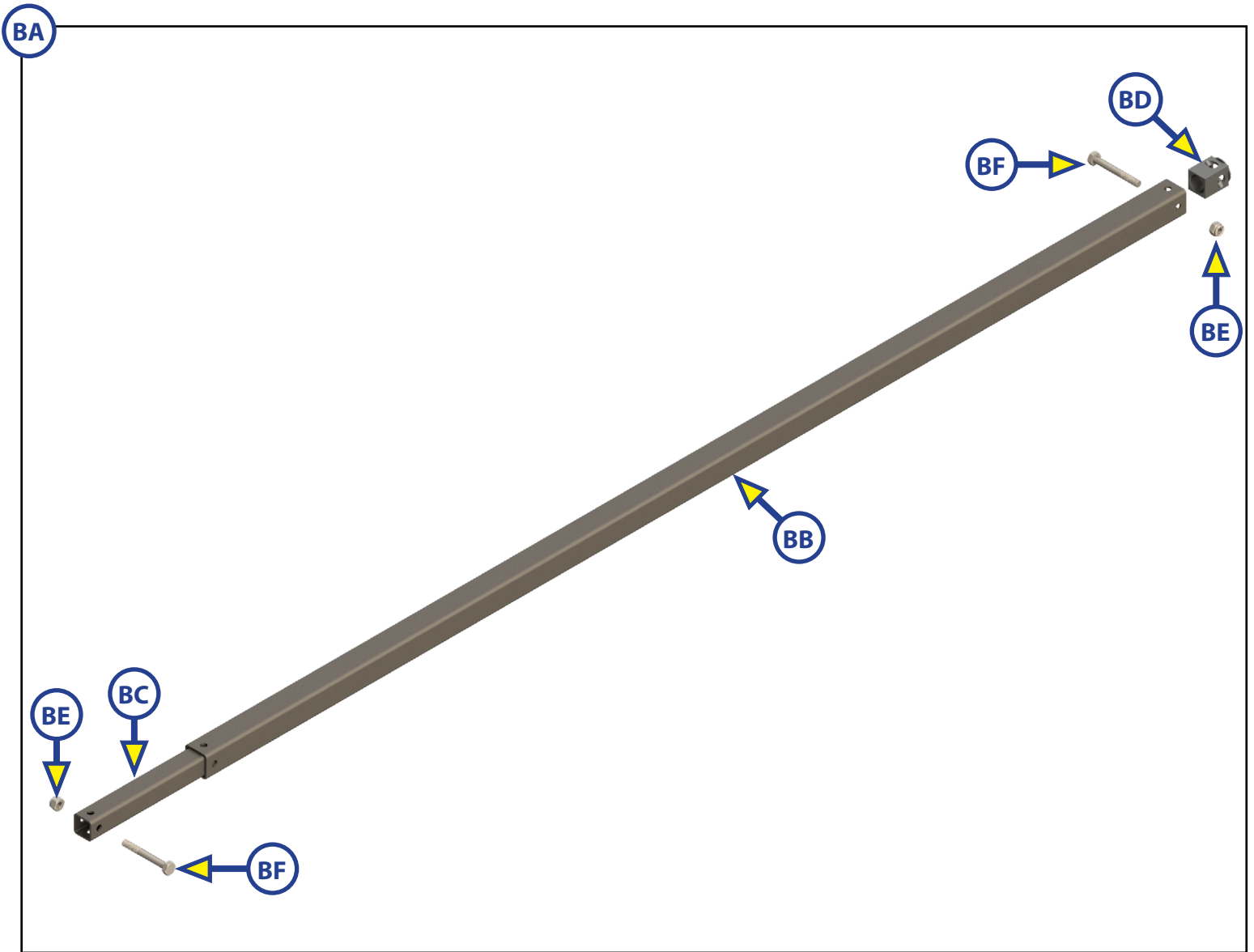
SLIDE-OUTS



Callout	Part #	Description
AV	354184	Hydraulic Cylinder (43" Stroke)
	342328	Hydraulic Cylinder (38" Stroke)
	354178	Hydraulic Cylinder (30" Stroke)
	339031	Hydraulic Cylinder (24" Stroke)
AW	173738	O-Ring Face Seal Elbow Fitting
AX	141109	O-Ring Face Seal Straight Fitting
AY	120639	Hydraulic Interior Slide-Out Switch
AZ	140530	6 Prong Interior Switch with Wall Plate

2.5 X 2.5 HYDRAULIC THROUGH FRAME SLIDE-OUT COMPONENTS

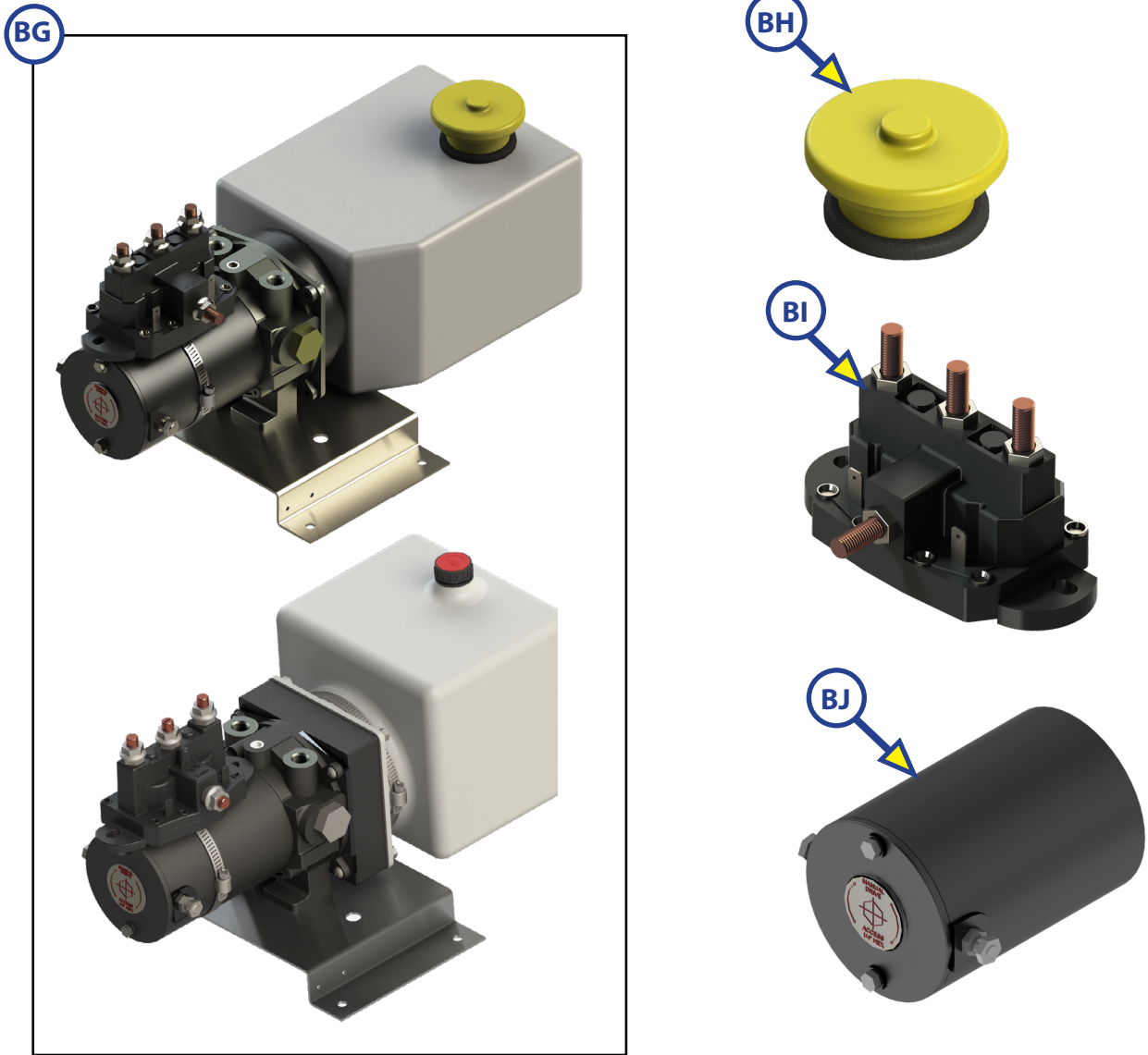
SLIDE-OUTS



Callout	Part #	Description
Kit - BA	157523	<u>Slide-Out Cross Shaft Assembly</u>
BB	117630	Outer Cross Shaft
BC	117606	Inner Cross Shaft
BD	123365	Cross Shaft Insert
BE	118092	Nut, 1/4" - 20
BF	119066	Bolt, 1/4" - 20 x 2"

2.5 X 2.5 HYDRAULIC THROUGH FRAME SLIDE-OUT COMPONENTS

SLIDE-OUTS



Callout	Part #	Description
BG*	141111	Hydraulic Power Unit
BH	157505	Yellow Fill Cap
BI	118246	Dual Polarity Solenoid
BJ	167576	Power Unit Motor

NOTE: *Hydraulic Power unit may appear as either example displayed above. Function and reservoir capacity are identical for each variation.