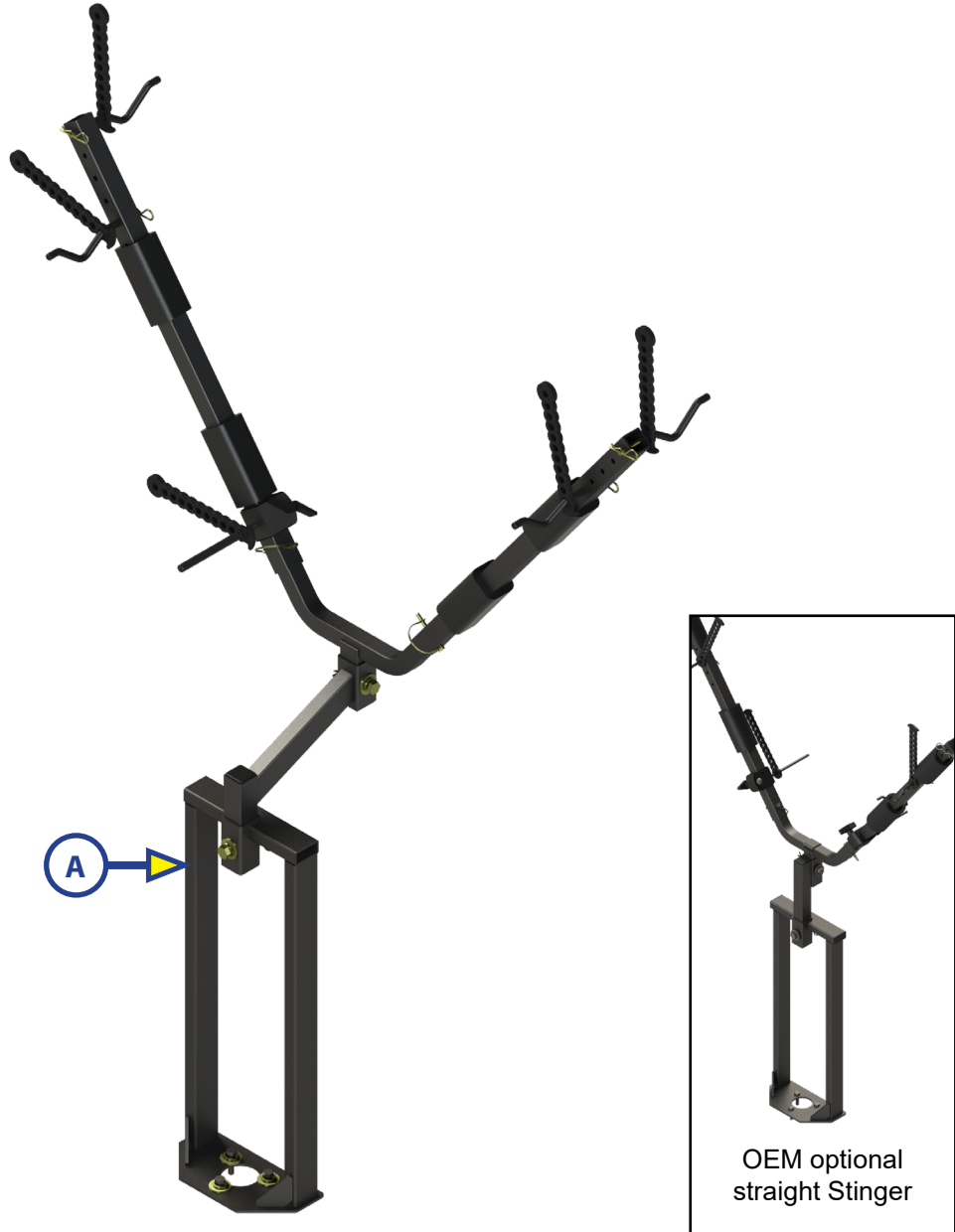


JACK-IT® BICYCLE RACK COMPONENTS

STORAGE AND CONVENIENCE

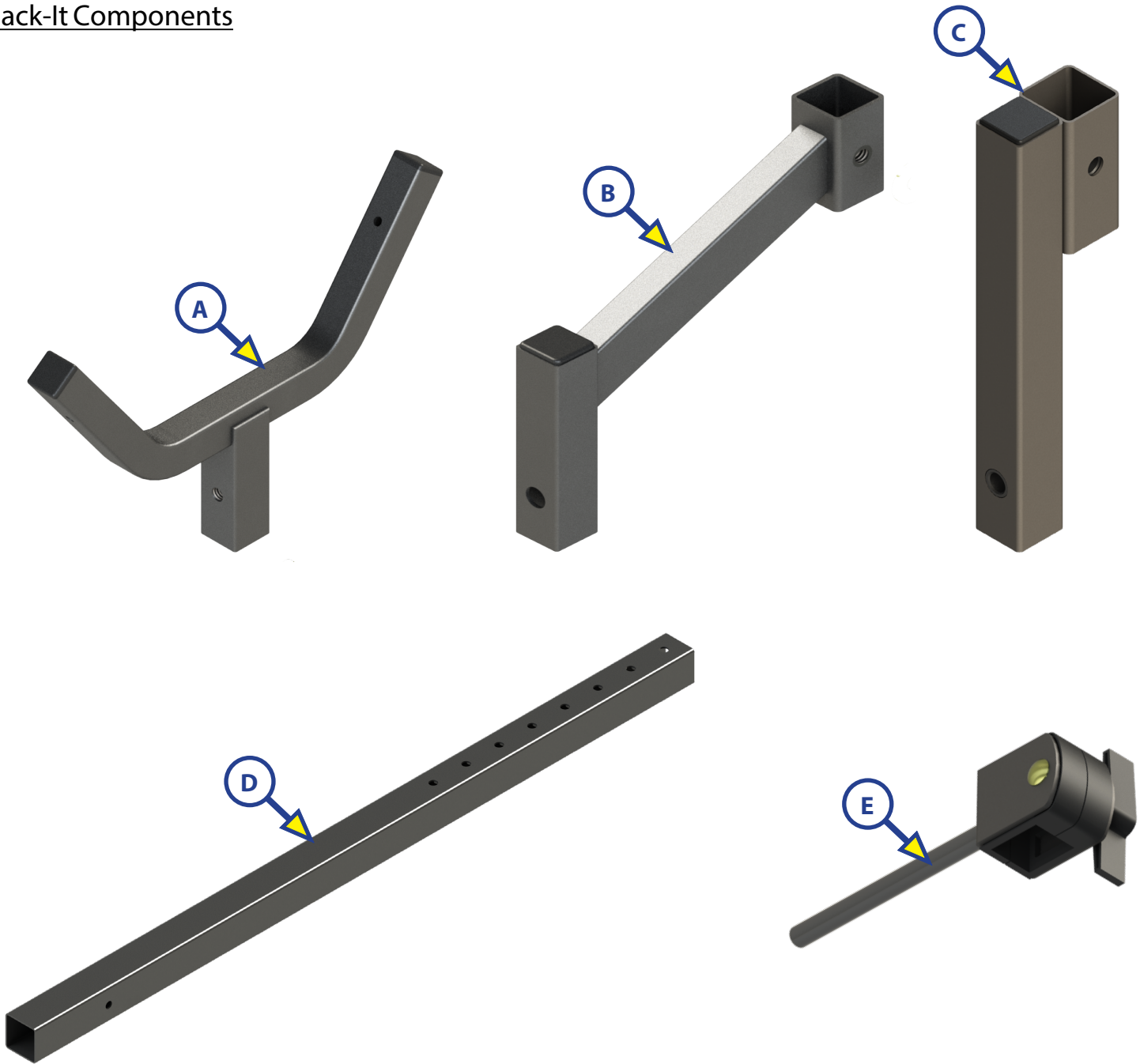
NOTE: Part numbers are shown for identification purposes only. Not all parts are available for individual sale. All parts with a link to the Lippert Store can be purchased.

Jack-IT Bicycle Rack



Callout	Part #	Description
A	429756	Jack-IT bicycle rack; includes PowerTower with 22 1/2" inside clearance and BikeWing component (Aftermarket only)
	406874	Jack-IT bicycle rack; includes PowerTower with 22 1/2" inside clearance and BikeWing component (OEM only)
	804298	Jack-IT bicycle rack; includes PowerTower with 22 1/2" inside clearance and BikeWing component; straight Stinger (OEM only)
	671846	Jack-IT bicycle rack; includes PowerTower with 18 1/2" inside clearance and BikeWing component (OEM only)

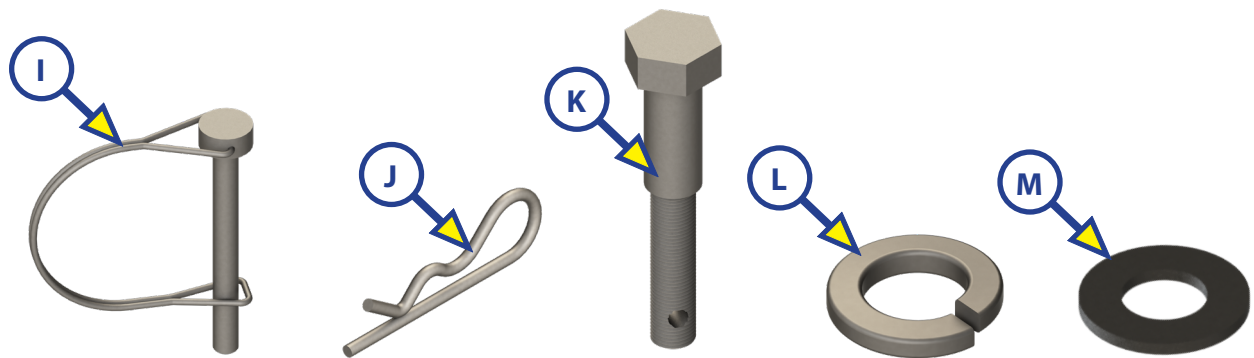
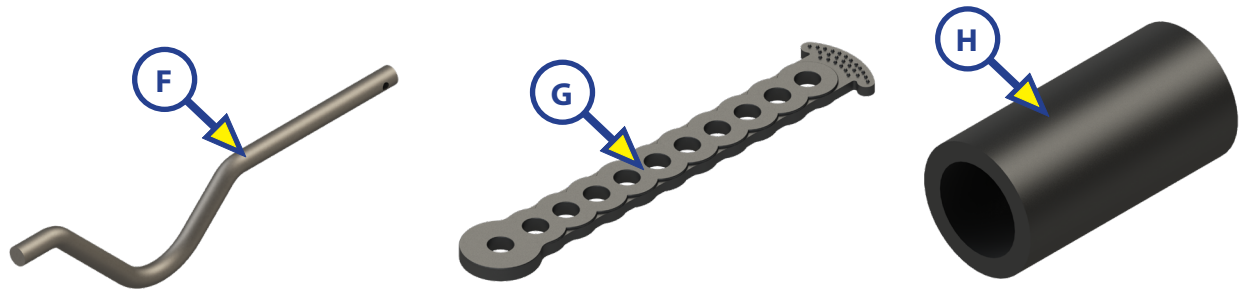
Jack-It Components



Callout	Part #	Description
A	433827	BikeWing Y-shaped base
B	433825	BikeWing Stinger (Angled)
C	769781	BikeWing Stinger (Straight) (OEM option only)
D	433813	Wing
E	433819	SwayStop pin

JACK-IT® BICYCLE RACK COMPONENTS

STORAGE AND CONVENIENCE



Callout	Part #	Description
F	435083	Cradle, 5/16" x 7 1/2" (OBSOLETE)
G	698731	Rubber strap, 1" x 9"
H	433834	Protective pad
I	433835	Snap pin, 1/4" x 2 3/8"
J	378026	Hairpin cotter pin, 1/8" x 2 9/16"
K	433832	Threaded NoMotion pin, 1/2" -13 x 2 3/4" (OBSOLETE)
L	162838	Split lock washer, 1/2"
M	118138	Flat washer, 1/2"

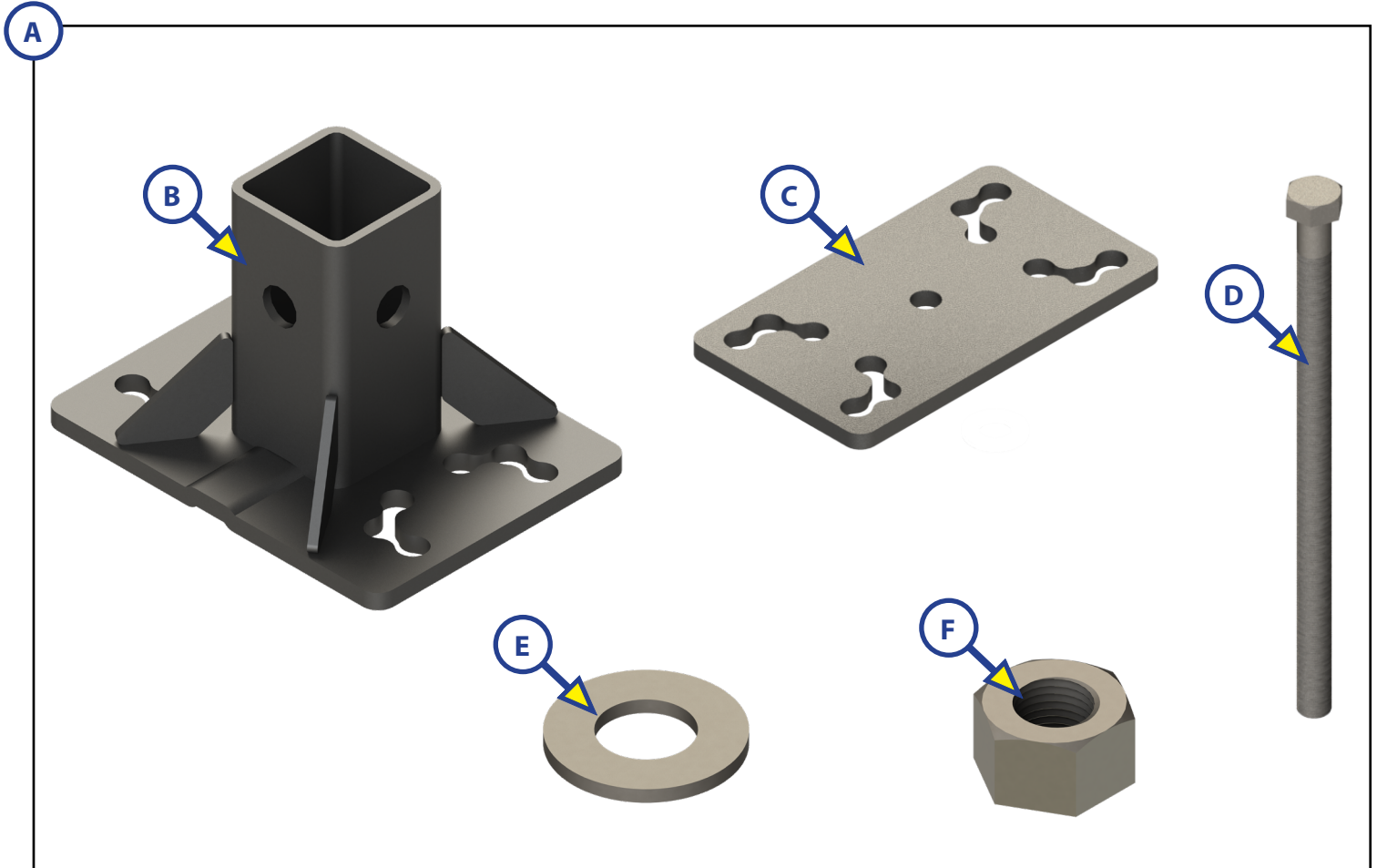
JACK-IT® BICYCLE RACK COMPONENTS

STORAGE AND CONVENIENCE



Callout	Part #	Description
N	433824	PowerTower, 26 1/4", 22 1/2" inside clearance (OBSOLETE)
	672713	PowerTower, 22 1/4", 18 1/2" inside clearance
O	249358	Hex bolt, 3/8" - 16 x 1 1/2"
P	126030	Split lock washer, 3/8"
Q	135840	Flat washer, 3/8"

BikeBase Kit

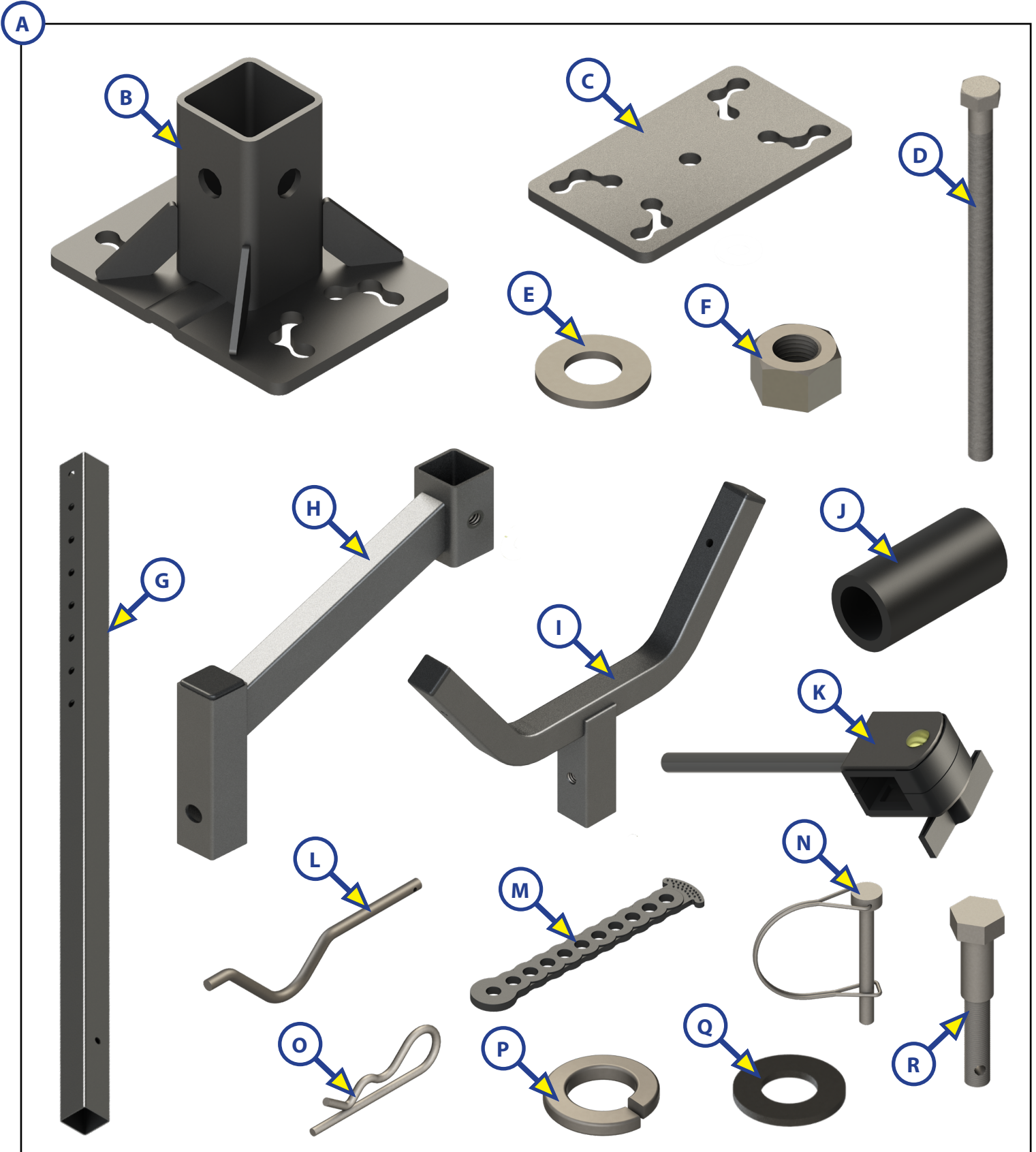


Callout	Part #	Description
A	731157	BikeBase tongue adapter kit
B	729303	BikeBase top plate with receiver tube
C	729302	BikeBase bottom plate
D	733690	Hex bolt, $\frac{3}{8}$ " x 6 $\frac{1}{2}$ " (OBSOLETE)
E	135840	Flat washer, $\frac{3}{8}$ "
F	119125	Hex nut, $\frac{3}{8}$ "

JACK-IT® BICYCLE RACK COMPONENTS

STORAGE AND CONVENIENCE

Hitch-IT Kit



JACK-IT® BICYCLE RACK COMPONENTS

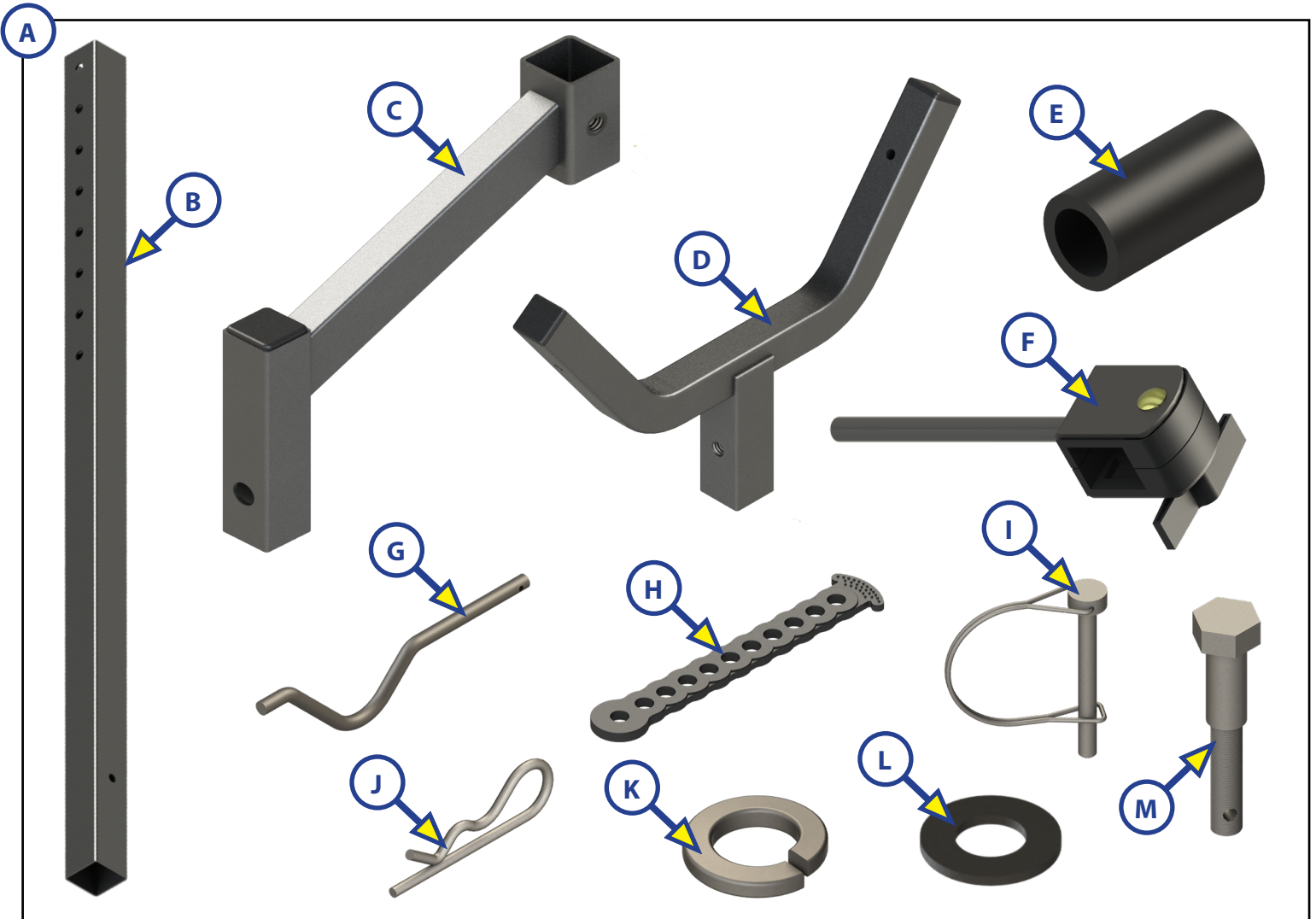
STORAGE AND CONVENIENCE

Callout	Part #	Description
A	731138	Hitch-IT double bike carrier system
B	729303	BikeBase top plate with receiver tube
C	729302	BikeBase bottom plate
D	733690	Hex bolt, 3/8" x 6 1/2" (OBSOLETE)
E	135840	Flat washer, 3/8"
F	119125	Hex nut, 3/8"
G	433813	Wing
H	433825	BikeWing Stinger (Angled)
I	433827	BikeWing Y-shaped base
J	433834	Protective pad
K	433819	SwayStop pin
L	435083	Cradle, 5/16" x 7 1/2" (OBSOLETE)
M	698731	Rubber strap, 1" x 9"
N	433835	Snap pin, 1/4" x 2 3/8"
O	378026	Hairpin cotter pin, 1/8" x 2 9/16"
P	162838	Split lock washer, 1/2"
Q	118138	Flat washer, 1/2"
R	433832	Threaded NoMotion pin, 1/2" -13 x 2 3/4" (OBSOLETE)

JACK-IT® BICYCLE RACK COMPONENTS

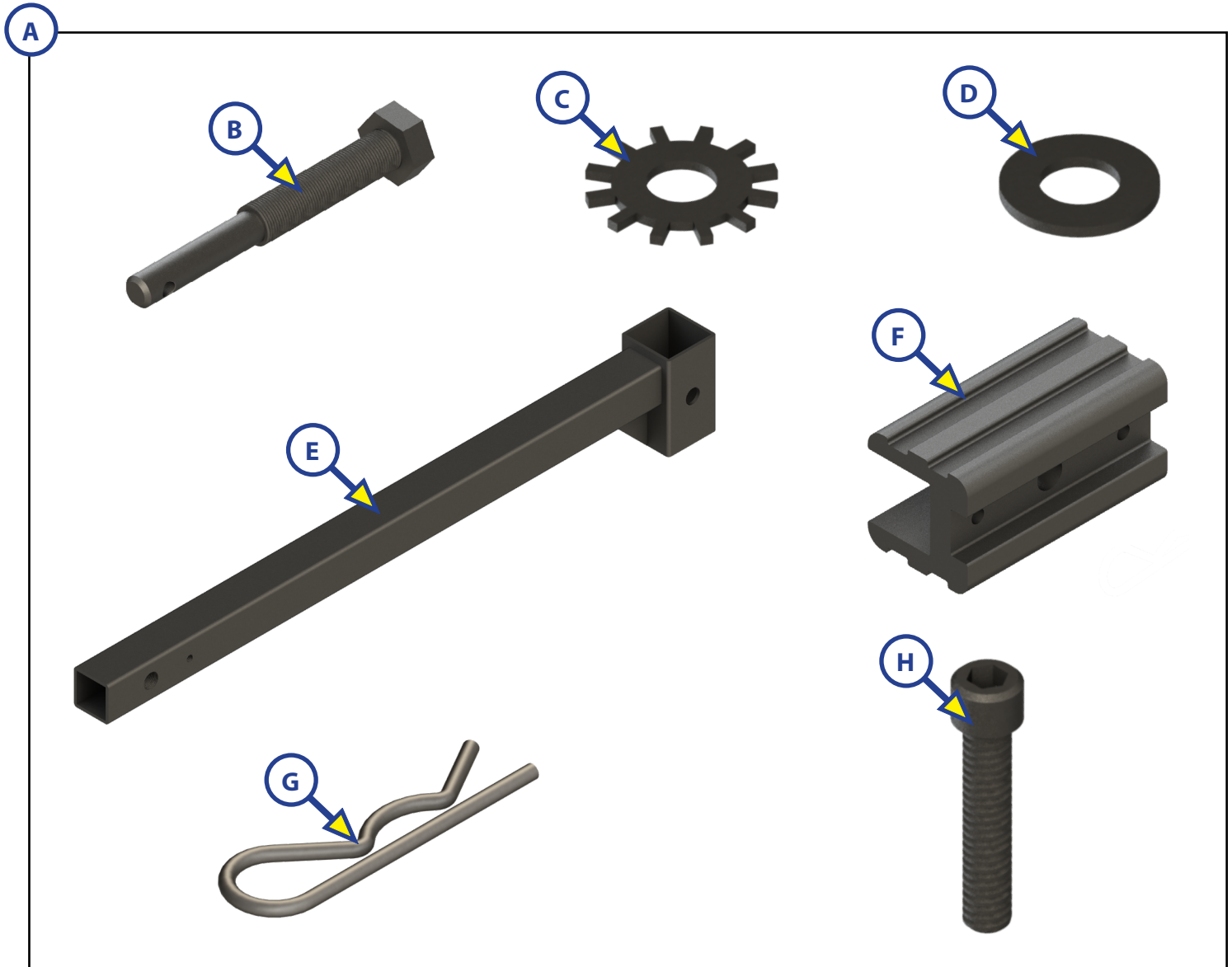
STORAGE AND CONVENIENCE

BikeWing Kit



Callout	Part #	Description
A	731137	BikeWing double bike carrier kit
B	433813	Wing
C	433825	BikeWing Stinger (Angled)
D	433827	BikeWing Y-shaped base
E	433834	Protective pad
F	433819	SwayStop pin
G	435083	Cradle, 5/16" x 7 1/2" (OBSOLETE)
H	698731	Rubber strap, 1" x 9"
I	433835	Snap pin, 1/4" x 2 3/8"
J	378026	Hairpin cotter pin, 1/8" x 2 9/16"
K	162838	Split lock washer, 1/2"
L	118138	Flat washer, 1/2"
M	433832	Threaded NoMotion pin, 1/2" - 13 x 2 3/4" (OBSOLETE)

Bump-IT Kit



Callout	Part #	Description
A	723359	Bump-IT receiver adapter kit
B	729249	Threaded NoMotion pin, 1/2" - 13 x 3.8"
C	N/A	External tooth lock washer
D	118138	Flat washer, 1/2"
E	729250	Bump-IT shank, 22.24"
F	729248	Aluminum adapter, 3.94" x 2"
G	118106	Hairpin cotter pin, 1/8" x 2.56"
H	160117	Socket head cap screw, 1" x 25 mm