

17" & 21" 3-BURNER ALL GLASS GAS RANGE WITH FFD

MODEL (LIPPERT PN)

FGR17G3MA1B-BG (2023045673)

FGR21G3MA1B-BG (2023045675)

FGR17G3MA2B-BG (2023045674)

FGR21G3MA2B-BG (2023045676)

FGR17G3MA1B-SG (2023045672)

FGR21G3MA1B-SG (2023045677)

TROUBLESHOOTING AND SERVICE MANUAL



* Picture shown here is for reference only.

This manual contains the product's basic information, safety, maintenance, replaceable parts, fault diagnosis and basic troubleshooting procedures.

TABLE OF CONTENTS

Introduction	2
Safety	2
Safety Precautions	3
Safety Instructions	3
Pressure Check	4
Gas Leak Check	5
Cleaning and Maintenance	5
Replaceable Parts List	6
Troubleshooting	9
Specifications	9

Introduction

This document provides an overview on replaceable parts for Furrion 17" & 21" 3-Burner All Glass Gas Range with FFD, as well as basic troubleshooting and service information.

Please keep this user manual in a safe place for future reference. This will ensure safe use and reduce the risk of injury. Be sure to pass on this manual to new owners of this product.

NOTE: Images used in this document are for reference only when assembling, installing and/or operating this product. Actual appearance of provided and/or purchased parts and assemblies may differ. For more detailed operation, including general safety instructions, warnings and cautions, see Instruction Manual at: <https://support.lci1.com/documents/ccd-0008141> or scan QR Code:



Safety

Read and understand all instructions before installing or operating this product. Adhere to all safety labels. This manual provides general instructions. Many variables can change the circumstances of the instructions, i.e., the degree of difficulty, operation and ability of the individual performing the instructions. This manual cannot begin to plot out instructions for every possibility, but provides the general instructions, as necessary, for effectively interfacing with the device, product or system. Failure to correctly follow the provided instructions may result in death, serious personal injury, severe product and/or property damage, including voiding of the Lippert limited warranty.

WARNING

The "WARNING" symbol above is a sign that a procedure has a safety risk involved and may cause death or serious personal injury if not performed safely and within the parameters set forth in this manual.

WARNING

Failure to follow instructions provided in this manual may result in death, serious personal injury and/or severe product and property damage, including voiding of the component warranty.

CAUTION

The "CAUTION" symbol above is a sign that a safety risk is involved and may cause personal injury and/or product or property damage if not safely adhered to and within the parameters set forth in this manual.

CAUTION

Always wear eye protection when performing service, maintenance or installation procedures. Other safety equipment to consider would be hearing protection, gloves and possibly a full face shield, depending on the nature of the task.

Safety Precautions

WARNING

If the information in this manual is not followed exactly, a fire or explosion may result causing property damage, personal injury or death.

Do NOT store or use gasoline or other flammable vapors or liquids near this or any appliance.

What to do if you smell gas:

- Do NOT try and light any appliance.
- Do NOT touch any electrical switch.
- Do NOT use any phone in your recreational vehicle.
- Clear the recreational vehicle of all occupants.
- Turn off gas supply tank valve(s) or main gas supply.
- From a safe distance from the gas smell, immediately call your gas supplier for instructions.
- If you cannot reach your gas supplier, call the fire department.
- Have a gas system checked and leakage source corrected by a qualified installer, service agency, manufacturer of dealer or the gas supplier.

Follow all instructions before using this appliance to prevent the potential risk of fire, electric shock, personal injury or damage to the appliance as a result of improper usage of the appliance. Use appliance only for it's intended purpose as described in this guide.

If an external electrical source is utilized, the appliance must be electrically grounded in accordance with state or other codes or, in the absence of such codes, with the National Electrical Code (AN51/NFPA70). Do not attempt to adjust, repair, service, or replace any part of your appliance unless it is specifically recommended in this guide. Other services should be referred to a qualified service technician.

Warning and important safety instructions appearing in this guide are not meant to cover all possible conditions and situations that may occur. Common sense, caution, and care must be exercised when installing, maintaining, or operating the appliance. Always contact the manufacturer about problems or conditions you do not understand.

Safety Instructions

To reduce risk of tipping of the appliance from abnormal usage or by excessive loading of the cooktop.

- Your appliance should be installed by a qualified technician in accordance with state and local laws.
- Never modify or alter the construction of a cooktop by removing leveling legs, panels, anti-tip brackets/screws, or any other part of the product.

Do NOT store items of interest to children in the cabinets above a cooktop. Children climbing on the cooktop to reach items could be seriously injured.

WARNING

NEVER use this appliance as a space heater to warm a room. Doing so may result in carbon monoxide poisoning and overheating the oven.

⚠ WARNING

NEVER cover rear vent on cooktop, or internal cavity holes.

- The appliance and its individual shutoff valve must be disconnected from the gas supply piping system during any pressure testing of that system at test pressures in excess of 1/2psi (3.5 kPa).
- The appliance must be isolated from the gas supply piping system by closing its individual manual shutoff valve during any pressure testing of the gas supply piping system at test pressures equal to or less than 1/2psi (3.5 kPa).

Pressure Check

1. Turn LP gas off to the appliance.
2. Remove the Screw with the sealing gasket from the pressure test port on the range. (Fig. 1)

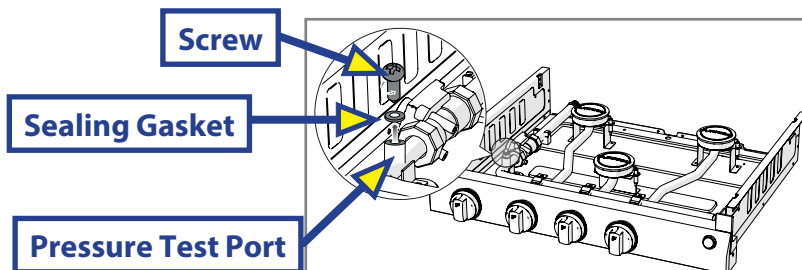


Fig. 1

3. Using the rubber tube from the pressure check measuring device, slide the rubber tube down over the gas pressure test port. The rubber tube should seal around the pressure test port on the range.
4. Turn on the LP gas to the appliance.
5. The pressure gauge tester should measure between 10" WC to 13.8" WC. (Fig. 2)

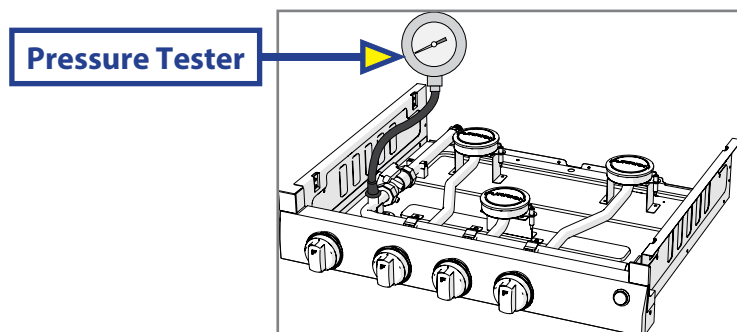


Fig. 2

6. Turn off the LP gas to the appliance.
7. Remove the rubber tube of the pressure check measuring device.
8. Replace the screw with the gasket from step 2. Before replacing the screw, inspect the rubber gasket seal for any signs of damage. Replace seal if damaged.
9. Tighten the screw to 1.3 Nm to 1.7 Nm.

NOTE: Ensure the product is gas leak checked after the pressure check test is completed by also testing the pressure check port screw. If any leaks are detected around the pressure check port screw and gasket, a new one can be purchased. Call Furrion support for a replacement.

Gas Leak Check

Always perform a leak test for possible leaks according to the manufacturer's instructions before any operation. Pressure/Leak test using 11-13.8 WC pressure.

WARNING

Extinguish all open flames. NEVER Leak test when smoking. Do not use the oven until connection has been leak tested and does not leak.

1. Make sure all control knobs are turned to OFF position.
2. Apply a gas leak detection liquid such as soapy water to the connections.
3. Gas leaks will be detected with the presence of bubbles.
4. To stop the leak, tighten the loose joint, or replace the faulty part with a replacement part recommended by dealer.

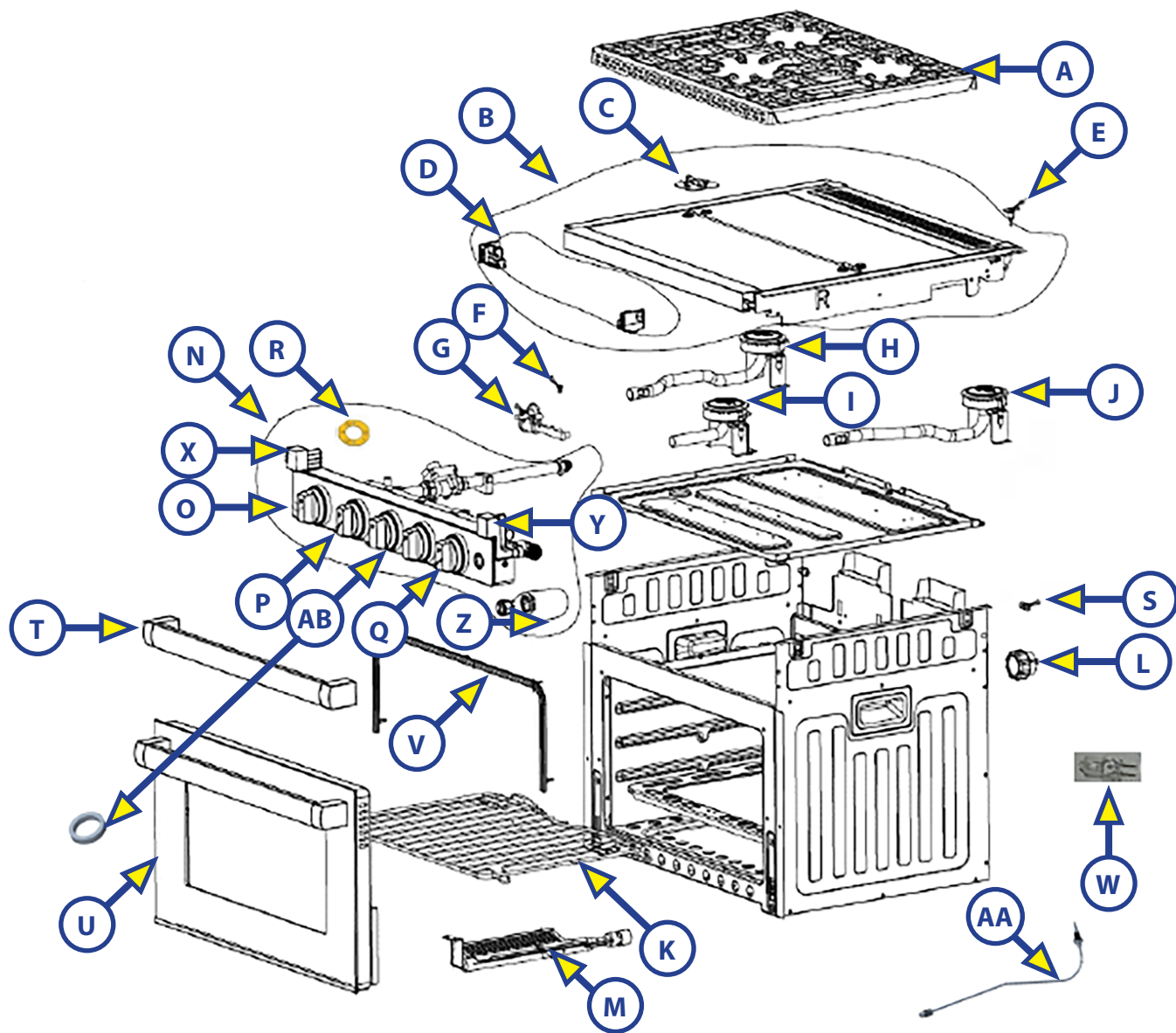
WARNING

Gas leaks may occur in your system and result in a dangerous situation. Gas leaks may not be detected by smell alone. Gas suppliers recommend you purchase and install a UL approved gas detector. Install and use accordance with the manufacturer's instructions.

Cleaning and Maintenance

- Make sure all controls are OFF and the range or cooktop is cool before cleaning.
- Do NOT use oven cleaners, bleach, steel wool or rust removers on the cooktop or burner grates. Only use nonabrasive pads.
- Do NOT obstruct the flow of combustion and ventilation air.
- Keep appliance area clean of combustible materials, gasoline and other flammable vapors and liquids.
- Never use a wire brush or metallic item for cleaning burner ports or orifices. Brush may "shed" bristles that may lodge in the orifice or burner ports and cause a fire or explosion.
- Use warm soapy water only to clean the burner grates, cooktops, painted surfaces, porcelain surfaces, stainless steel surfaces and plastic items on your range or cooktop. Do not use gritty or acid-type cleaners.
- Do NOT allow foods containing acids (such as lemon or tomato juice, or vinegar) to remain on porcelain or painted surfaces. Acids may remove the glossy finish. Wipe up egg spills when cooktop is cool.
- Do NOT wash warm porcelain surfaces. Allow these areas to cool before cleaning. You could burn yourself, or the porcelain could crack.
- Pitting and discoloration will result if spills are allowed to remain for any length of time on stainless steel.
- Do NOT allow spillovers to remain on the burner caps. The caps could become permanently stained.
- When cleaning around the burners, use care to prevent damage to the electrode (if so equipped). If a sponge or cloth should catch the metal igniter electrode, it could damage or break the electrode. If this occurs, the burner will not light.

Replaceable Parts List



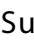
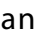
Callout	Part #	Description	Model
A	2021124335	Stamped Grate	All
B	2022072996	Top-Tray Module (Top Tray Module with Black Painting Side Trim Kit)	All
C	2021124283	Glass Cover Middle Hinge Module (2 Hinges per Set)	All
D	2022072995	Rubber Front Bumpers Kit (Left+Right)	All
E	2021124303	Cooktop Grill Holding Gasket	All
F	2021124505	Gas Pressure Inspection Screw (Rubber O-Ring included)	All
G	2021124253	Spark Igniter for FSRE17 and FSRE21	All
H	2023048884	Left Burner Module (includes Burner, Igniter, FFD, Bracket)	All
I	2023048885	Middle Burner Module (includes Burner, Igniter, FFD, Bracket)	All
J	2023048886	Right Burner Module (Include Burner, Igniter, FFD, Bracket)	All
K	2021124271	Oven Bake Rack	All
L	2021123962	Oven Light Glass Cover	All

Callout	Part #	Description	Model
M	2021124444	Oven Burner	All
N	2023048881	Front Panel Module with FFD, Black Glass (Black Knobs and Igniter included)	FGR17G3MA1B-BG
	2023048882	Front Panel Module with FFD, Black Glass (Silver Knobs and Igniter included)	FGR17G3MA2B-BG
	2023048883	Front Panel Module with FFD, Stainless Steel (Silver Knobs and Igniter included)	FGR17G3MA1B-SG
	2025019088	Front Panel Module with FFD, Black Glass (Black Knobs and Igniter included)	FGR21G3MA1B-BG
	2025019089	Front Panel Module with FFD, Black Glass (Silver Knobs and Igniter included)	FGR21G3MA2B-BG
	2025019090	Front Panel Module with FFD, Stainless Steel (Silver Knobs and Igniter included)	FGR21G3MA1B-SG
O	2022073002	Ignition Knob Assembly (Black)	FGR17G3MA1B-BG FGR21G3MA1B-BG
	2022073015	Ignition Knob Assembly (Silver)	FGR17G3MA1B-SG FGR21G3MA1B-SG FGR17G3MA2B-BG FGR21G3MA2B-BG
P	2023029051	Cooktop Burner Knob Assembly (Black)	FGR17G3MA1B-BG FGR21G3MA1B-BG
	2023029052	Cooktop Burner Knob Assembly (Silver)	FGR17G3MA1B-SG FGR21G3MA1B-SG FGR17G3MA2B-BG FGR21G3MA2B-BG
Q	2023029053	17" Oven Knob Assembly (Black)	FGR17G3MA1B-BG
	2023029054	17" Oven Knob Assembly (Silver)	FGR17G3MA1B-BG FGR17G3MA1B-SG
	2023029055	21" Oven Knob Assembly (Black)	FGR21G3MA1B-BG
	2023029056	21" Oven Knob Assembly (Silver)	FGR21G3MA1B-BG FGR21G3MA1B-SG
R	2023029044	Red/Blue Knob LED PCB	All
S	2022073001	Strain Relief	All
T	2021123987	Handle Assembly (Black)	FGR17G3MA1B-BG FGR21G3MA1B-BG
	2021124003	Handle Assembly (Silver)	FGR17G3MA1B-SG FGR21G3MA1B-SG FGR17G3MA2B-BG FGR21G3MA2B-BG

Callout	Part #	Description	Model
U	2022073006	17" Oven Door Assembly, Black Trim Kit (Blk Glass/Blk Handle)	FGR17G3MA1B-BG
	2022073019	17" Oven Door Assembly, Black Trim Kit (Blk Glass/Slvr Handle)	FGR17G3MA2B-BG
	2022073014	17" Oven Door Assembly, SS Trim Kit (Blk Glass/Slvr Handle)	FGR17G3MA1B-SG
	2022073020	21" Oven Door Assembly, Black Trim Kit (Blk Glass/Blk Handle)	FGR21G3MA1B-BG
	2022073023	21" Oven Door Assembly, Black Trim Kit (Blk Glass/Slvr Handle)	FGR21G3MA2B-BG
	2022073022	21" Oven Door Assembly, SS Trim Kit (Blk Glass/Slvr Handle)	FGR21G3MA1B-SG
V	2021124161	Door Seal (17")	FGR17G3MA1BBG FGR17G3MA1B-SG FGR17G3MA2B-BG
	2021149643	Door Seal (21")	FGR21G3MA1B-BG FGR21G3MA1B-SG FGR21G3MA2B-BG
W	2021124002	G4 Halogen Oven Light Bulb, 12V 10w 300 °C (572 °F)	All
X	2022072997	Left Plastic Side Trim	All
Y	2022072998	Right Plastic Side Trim	All
Z	2022072999	Light Switch (Blk), 3-Way Rocker Switch ((Plastic Bezel (Blk included))	FGR17G3MA1B-BG FGR17G3MA1B-SG FGR17G3MA2B-BG FGR21G3MA1B-BG FGR21G3MA1B-SG FGR21G3MA2B-BG
AA	2023048880	Flame Failure Device (FFD) with Cable Length 320mm	All
AB	2024046634	Spacer for Burner Valve Shaft	All

Troubleshooting

Before calling for service, review this list. It may save you both time and expense. This list includes common experiences that are not the result of defective workmanship or material in your appliance.

Problem	Possible Cause/Solution
Surface burners do not light	Surface Control Knob has not been completely turned to  position. Push in and turn the Surface Control knob to  position until burner ignites and then turn control to desired flame size.
	Ensure gas supply valve is open.
	Burner ports or slots are clogged. With the burner off, use a small-gauge wire or needle to clean ports or slots.
	Low gas supply level in cylinder.
	Push burner control knob in for at least 5 seconds once burner flame is lit.
Surface burner flame burns half way around	Moisture is present on the burner, dry burner thoroughly.
	Burner ports or slots are clogged. With the burner off, clean ports with a small-gauge wire or needle to clean ports or slots.
	Moisture is present after cleaning. Lightly fan the flame and allow burner to operate until flame is full. Dry the burners thoroughly.
Surface burner flame is orange	Dust particles in main line. Allow the burner to operate a few minutes until flame turns blue.
	In coastal areas, a slightly orange flame is unavoidable due to salt air.

Specifications

BTU/HR	Left and Right Burner: 6500 BTU/HR	
	Front Burner: 8000 BTU/HR	
	Oven: 7100 BTU/HR	
Fuel / Power	Propane	
Inlet Pressure	10" WC Min to 13.8" WC Max	
Power Input	12V DC < 2 Amp (10.5V to 14.6 VDC)	
Inner Volume of the Oven	17" Range Oven: 35L	21" Range Oven: 51L
	This appliance conforms with the directives: ANSI Z21.57a-(2012) Rec / CAN1-1.16-M79 (R2016)	



FURRION®

Furrion, LLC (Furrion) are wholly owned subsidiaries of Lippert Components, Inc. (Lippert)
Furrion, LLC (Furrion) sont des filiales en propriété exclusive de Lippert Components, Inc. (Lippert)
Furrion, LLC: 52567 Independence Ct., Elkhart, IN, 46514

Furrion Innovation Center & Institute of Technology
Centre d'innovation et institut de technologie Furrion
22244 Innovation Drive, Elkhart, IN 46514-5514, USA
Toll free/Numéro gratuit/Línea telefónica gratuita: 1-800-789-3341
Email/Courriel/Correo electrónico: customerservice@lci1.com

©2007-2025 Furrion, LLC. All rights reserved.

©2007-2025 Furrion, LLC. Tous droits réservés.

For Patent Info: www.Lippert.com/patents

Pour des informations sur les brevets: www.Lippert.com/patents

SUPPORT.LCI1.COM/FURRION



The contents of this manual are proprietary and copyright protected by Lippert. Lippert prohibits the copying or dissemination of portions of this manual unless prior written consent from an authorized Lippert representative has been provided.

Any unauthorized use shall void any applicable warranty.

The information contained in this manual is subject to change without notice and at the sole discretion of Lippert. Revised editions are available for free download from lippert.com.

Please recycle all obsolete materials.

Les renseignements contenus dans le présent manuel peuvent seulement être distribués sous forme de document complet, à moins de recevoir l'approbation explicite de Lippert Components pour distribuer des parties individuelles. Tous les renseignements contenus dans le présent manuel peuvent être modifiés sans préavis. Les éditions révisées pourront être téléchargées gratuitement sur le site lci1.com. Ces renseignements sont considérés comme étant factuels jusqu'à ce qu'une version révisée les rende désuets.

Veillez recycler tout le matériel désuet.

For all concerns or questions, please contact Lippert.

Communiquer avec Lippert Components si vous avez des questions ou des préoccupations.
Ph: 432-LIPPERT (432-547-7378) | Web: lippert.com | Email: customerservice@lci1.com