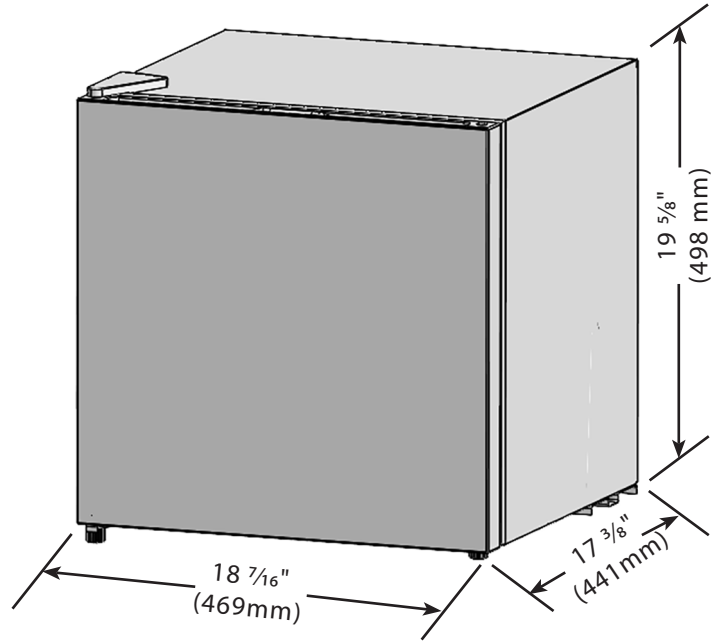
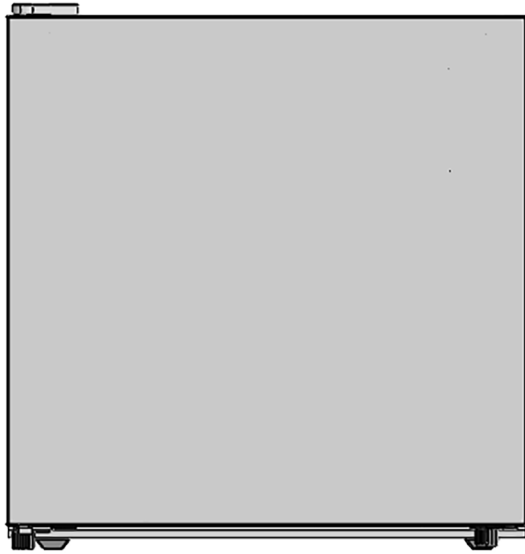


1.6 Cu.ft. 12V Bar Refrigerator, No Freezer, Black Glass



Capacity

| | |
|-----------------------|----------------|
| Net Capacity | 1.6 cu.ft./46L |
| Refrigerator Capacity | 1.6 cu.ft./46L |

Energy

| | |
|---------------------|--|
| Rated Voltage | 12V DC (10.2V - 14.6V) |
| Power Consumption | 0.357kWh/day (@ 77°F / 25°C) 0.659kWh/day (@ 90°F / 32°C) |
| Standby Amp Draw | < 4mA (no light) |
| Compressor Amp Draw | 6A typ. (< 10A) |

Operating Specifications

| | |
|-------------------------------|---|
| Noise (dBA) | 42 dBA |
| Climate Class | T (61°F - 109°F / 16°C - 43°C) |
| Cool Down Rate | 82min. typ. (62min. ~ 102min) |
| Compartment Temperature Range | 34°F ~ 46°F (1°C ~ 8°C) |
| Refrigerant Type | R600a |
| Cooling Sytem | Compressor |
| Cooling Distribution | Convection |
| Door Opening | Single Swing (Left or right hand hinge) |
| Door Travel Lock | N/A |
| Securement Type | N/A |

Finishes

| | |
|---------------------|-------|
| Door Front Material | Glass |
| Door Color Options | Black |

Refrigerator Storage

| | |
|-------------------------|-------------------|
| Shelf Type/Quantity | Plastic (1) Fixed |
| Crisper Type/Quantity | N/A |
| Door Bins Type/Quantity | Bar Rack (2) |
| Lighting | LED (2W) |

Control Function

| | |
|------------------------|--|
| Refrigerator Control | Manual thermostat |
| Battery Monitor | N/A |
| Low/High Voltage Alarm | N/A |
| Low Voltage Shut-Off | Yes, if input voltage is <9.6V DC |
| ON/Off | Yes |
| Fault Code Diagnostic | On compressor board (need LED harness) |

Product Specifications

| | |
|------------------------------|--|
| Product Dimensions W x H x D | 18 7/16" x 19 5/8" x 17 3/8" (469 mm x 498 mm x 441 mm) |
| Product Weight | 33.1 lb./15 kg |

Packaging Specifications

| | |
|--------------------------------|--|
| Packaging Dimensions L x W x H | 20 3/16" x 20 3/16" x 20 1/16" (532 mm x 512 mm x 525 mm) |
| Packaging Weight | 37.5 lb./17kg |