

## RV Furnace with Front/Rear Gas Connection



### Product List

**20K BTU with Front Gas Connection**  
(Lippert # 2022121947 | FFG20FR)

**20K BTU with Rear Gas Connection**  
(Lippert # 2022121947 | FFG20RR)

**30K BTU with Front Gas Connection**  
Lippert # 2022121947 | FFG30FA

**30K BTU with Rear Gas Connection**  
Lippert # 2022121949 | FFG30RA

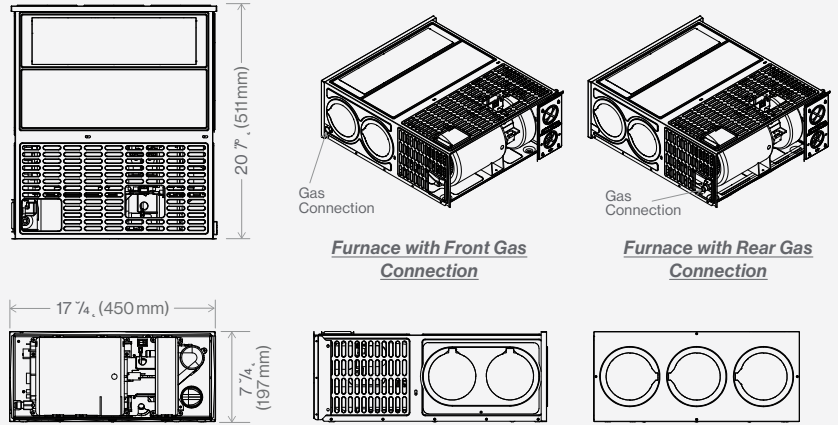
**35K BTU with Front Gas Connection**  
Lippert # 2022121948 | FFG35FA

**35K BTU with Rear Gas Connection**  
Lippert # 2022121950 | FFG35RA

**Furnace parts included in the box:**

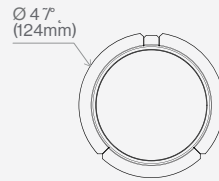
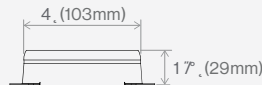
- flue inlet and outlet
- vertical accessory bracket

### Furnace (20K / 30K / 35K)

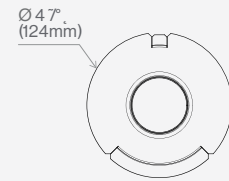


### Accessories (sold separately)

**4" Duct Collar**  
(#2022121951 | C-FFG35FA-A01)



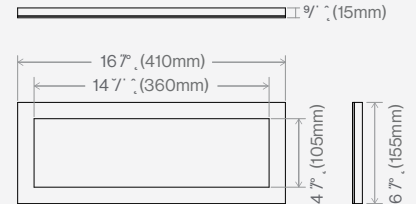
**2" Duct Collar**  
(#2022121952 | C-FFG35FA-A02)



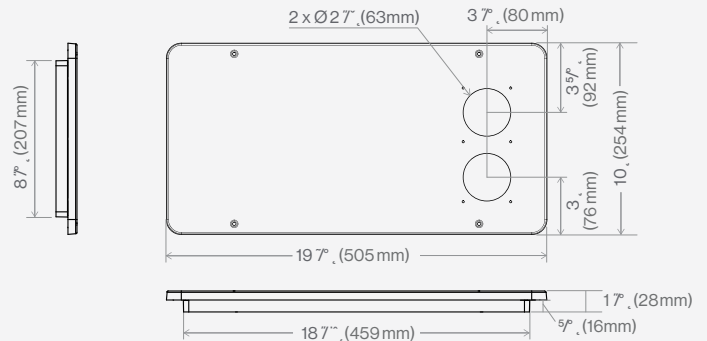
**4" Duct Cover Plate**  
(#2022121953 | C-FFG35FA-A03)



**Duct Gasket**  
(#2022121954 | C-FFG35FA-A04)



**Gas Furnace Door**  
(Black - #2022121955 | C-FFG35FA-A05) / (White - #2022121956 | C-FFG35FA-A06)



## Product Specifications

---

BTU/H input	20,000 BTU: FFG20FR & FFG20RR 30,000 BTU: FFG30FA & FFG30RA 35,000 BTU: FFG35FA & FFG35RA
Electrical input	12V DC / 15A
Current draw	10.8A (30K/35K model); 5A (20K model)
Gas input	Propane (11" WC)
Product compatibility	Works with Furrion, Coleman & Dometic AC wall control; LCI OneControl system
Operating temperature range	-4°F (-20°C) to +104°F (40°C)
Storage temperature range	-27°F (-33°C) to +160°F (71°C)
Duct outlet size	2" or 4" top/bottom; rectangular duct (14 1/8 x 4 1/8")
Total airflow output	530 cfm
Altitude	0 to 4500 ft
Required return (in <sup>2</sup> )	55"
No. of ducts to be used	2 x 4" ducts for FFG20FR or FFG20RR 3 x 4" ducts for FFG30FR or FFG30RR 4 x 4" ducts for FFG35FR or FFG35RR 1 x 56 in <sup>2</sup> rectangular bottom or top duct for any model

## Product Features

---

- Both vertical & horizontal mounting is possible
- Safety features like flame sensor, sail switch & combustion chamber temperature limit switch
- Retrofits Suburban furnace

## Product Information - Dimensions and Weight

Furnace (20K/30K/35K)	with Front Gas Connection	with Rear Gas Connection
<b>Product Size (W x H x D)</b>	17 7/4 x 7 7/4 x 20 7/8" (450 x 197 x 511mm)	17 7/4 x 7 7/4 x 20 7/8" (450 x 197 x 511mm)
<b>Packaging Dimensions (L x W x H)</b>	44 7/8 x 39 x 20 7/8" (1140 x 990 x 531mm)	44 7/8 x 39 x 20 7/8" (1140 x 990 x 531mm)
<b>Quantity</b>	10 pcs	10 pcs
<b>Gross Weight for 10 pcs</b>	352.7 lbs / 160 kg	352.7 lbs / 160 kg

### Accessories

	4" Duct Collar (C-FFG35FA-A01)	2" Duct Collar (C-FFG35FA-A02)
<b>Product Size (W x H x D)</b>	4 7/8 x 4 7/8 x 1 7/4" (124 x 124 x 31mm)	4 7/8 x 4 7/8 x 5/8" (124 x 124 x 17mm)
<b>Net Weight Per Unit</b>	0.2 lbs / 0.08 kg	0.2 lbs / 0.08 kg
<b>Master Carton Packaging Dimensions (L x W x H)</b>	21 5/8 x 9 7/8 x 14 7/8" (550 x 250 x 365 mm)	10 x 10 x 6 7/8" (255 x 255 x 175mm)
<b>Gross Weight</b>	44.1 lbs / 20.0 kg (for 240 pcs)	23.2 lbs / 10.5 kg (for 120 pcs)

	4" Duct Cover Plate (C-FFG35FA-A03)	Dust Gasket (C-FFG35FA-A04)
<b>Product Size (W x H x D)</b>	4 7/8 x 4 7/8 x 7/8" (124 x 124 x 2.5mm)	16 7/8 x 6 7/8 x 9/16" (410 x 155 x 15 mm)
<b>Net Weight Per Unit</b>	0.1 lbs / 0.06 kg	0.1 lbs / 0.05 kg
<b>Master Carton Packaging Dimensions (L x W x H)</b>	40 7/4 x 5 7/8 x 25" (250 x 250 x 105mm)	19 7/4 x 16 7/8 x 12 7/4" (490 x 415 x 325 mm)
<b>Gross Weight</b>	28.7 lbs / 13.0 kg (for 200 pcs)	8.8 lbs / 4.0 kg (for 64 pcs)

	Furnace Door - Black (C-FFG35FA-A05)	Furnace Door - White (C-FFG35FA-A06)
<b>Product Size (W x H x D)</b>	19 7/8 x 7 7/8 x 10" (505 x 12 x 254mm)	19 7/8 x 7 7/8 x 10" (505 x 12 x 254mm)
<b>Net Weight Per Unit</b>	2.2 lbs / 1.0 kg	2.2 lbs / 1.0 kg
<b>Master Carton Packaging Dimensions (L x W x H)</b>	20 7/4 x 11 x 15 7/8" ( 528 x 278 x 390 mm)	20 7/4 x 11 x 15 7/8" ( 528 x 278 x 390 mm)
<b>Gross Weight</b>	26.7 lbs / 12.1 kg (for 10 pcs)	26.7 lbs / 12.1 kg (for 10 pcs)