

FURRION®

17" RV 3-Burner All Glass Gas Range with FFD

MODEL (LIPPERT PN)

Gas Range

FGR17G3MA1B-SG (2023045672)

FGR17G3MA1B-BG (2023045673)

FGR17G3MA2B-BG (2022045674)

Drawer Front

CF1SL03ABLA1 (2021123574)

CF1SL02ABLA1 (2021123616)

CF1SL02ASSA1 (2021123585)



FGR17G3MA1B-SG
Stainless Steel



FGR17G3MA1B-BG
Black



FGR17G3MA2B-BG
Black with Silver Handle



CF1SL02ASSA1
Optional Drawer Front
Stainless Steel



CF1SL03ABLA1
Optional Drawer Front
Black with Black Handle



CF1SL02ABLA1
Optional Drawer Front
Black with Silver Handle

Oven Specifications

Total Oven Capacity	1.24 cu.ft. (35.2L)
Cavity (W x H x D)	17" x 8 15/16" x 14 3/8" (432mm x 227mm x 360mm)
Oven Cooking Technology	Conventional
Oven Temperature Range	350°F – 475°F (146°C – 246°C)
Oven Burner Power	7,100 BTU
Gas Safety Cut-off Valve	✓
Triple Layer Glass	✓
Enamel Non-stick Coating	✓
Cavity Light	1 - 10W Halogen Light
Number of rack positions	3
Number of racks included	1

Cooktop Specifications

Cooktop type and surface	Gas with matte enamel stamped grate
Number of Burners	3
Burner Size	2.4" (61mm)
Front Burner Power	8,000 BTU
Rear Right Burner	6,500 BTU
Rear Left Burner	6,500 BTU
Glass Cover	2-piece folding cover

Other Specifications

Power Source	12V DC
Ignition Type	Piezo Igniter
Fuel Type	Propane
Control Type	2-color LED Metallic Knobs Blue: Decorative Red: For safety (Burner ON with gas flowing)
Flame Failure Device	✓ (each burner)

Customer Service & Technical Support: Email: support@furrion.com Tel : (888) 354 5792 www.furrion.com

Furrion® and the Furrion logo are trademarks licensed for use by Furrion LLC. and registered in the U.S. and other countries. © 2024 Furrion LLC. All rights reserved.



FURRION®

17" RV 3-Burner All Glass Gas Range with FFD

MODEL (LIPPERT PN)

Gas Range

FGR17G3MA1B-SG (2023045672)

FGR17G3MA1B-BG (2023045673)

FGR17G3MA2B-BG (2022045674)

Drawer Front

CF1SL03ABLA1 (2021123574)

CF1SL02ABLA1 (2021123616)

CF1SL02ASSA1 (2021123585)

Range Product Dimensions and Weights

Dimensions (W x H x D)	21 7/16" x 16 1/16" x 21 3/4" (545 mm x 409 mm x 552 mm)
Product Weight (Net)	55.8 lb. (25.3 kg)

Range Packaging Dimensions and Weights

Dimensions (L x W x H)	25" x 24 9/16" x 19 1/2" (635 mm x 625 mm x 495 mm)
Packaging Weight (Shipping)	60.6 lb. (27.5 kg)
40' HQ Container Load (pcs)	342

Drawer Front Product Dimensions and Weights

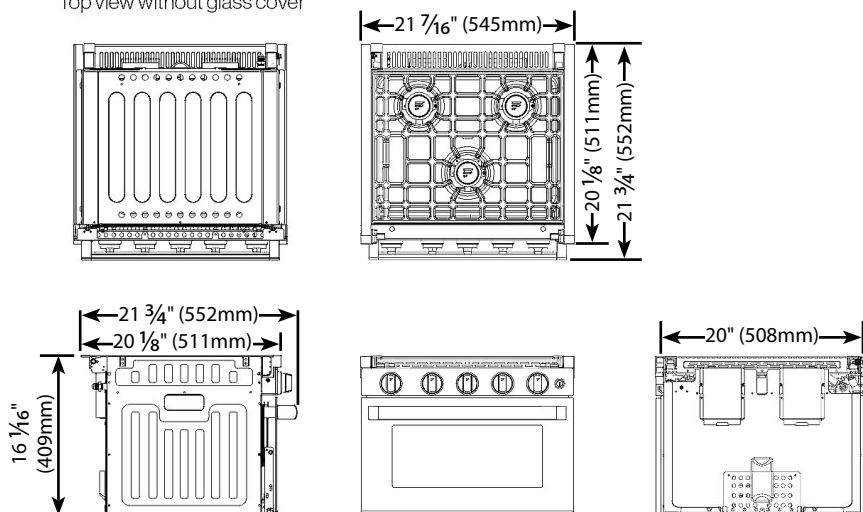
Dimensions (W x H x D)	21 7/16" x 11 9/16" x 3 3/8" (545 mm x 294 mm x 85 mm)
Product Weights (Net)	
CF1SL03ABLA1	12.4 lb. (5.6 kg)
CF1SL02ABLA1	12.4 lb. (5.6 kg)
CF1SL02ASSA1	11 lb. (5 kg)

Drawer Front Packaging Dimensions and Weights

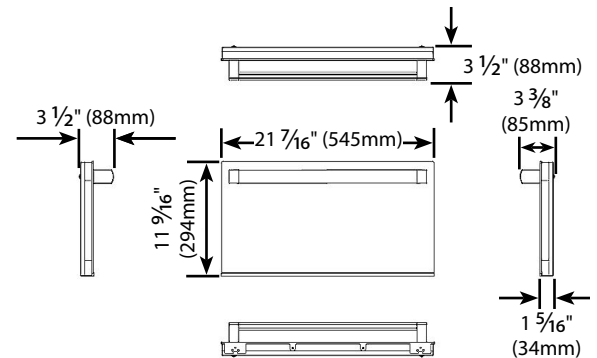
Dimensions (L x W x H)	24 3/8" x 8 11/16" x 15" (620 mm x 220 mm x 380 mm)
Packaging Weights (Shipping)	
CF1SL03ABLA1	14.8 lb. (6.7 kg)
CF1SL02ABLA1	14.8 lb. (6.7 kg)
CF1SL02ASSA1	13.4 lb. (6.1 kg)
Quantity per Box (pcs)	2

Range

Top view without glass cover



Drawer Front



Customer Service & Technical Support: Email: support@furrion.com Tel : (888) 354 5792 www.furrion.com

Furrion® and the Furrion logo are trademarks licensed for use by Furrion LLC. and registered in the U.S. and other countries. © 2024 Furrion LLC. All rights reserved.

