

Furrion Aurora® Landscape Speaker Systems Add-Ons & Replacement Parts Installation Manual (For Aftermarket Applications)

Use only FURRION brand speakers to connect to these systems. No other brand of speaker will have the correct impedance and could easily damage your audio equipment.

Additional information about this product can be obtained from lci1.com/support or by using the LippertNOW app. Replacement kits can be ordered from <https://store.lci1.com/> or by using the LippertNOW app.

The LippertNOW app is available for free on Apple App Store® for iPhone® and iPad® and also on Google Play™ for Android™ users.

App Store® and iPad® are registered trademarks of Apple Inc.

Google Play™ and Android™ are trademarks of Google Inc.

Safety

Read and fully understand all instructions before installing or operating this product.

Adhere to all safety labels.

⚠ WARNING

INSTALLATION OF THIS SYSTEM MAY REQUIRE DIGGING OR TRENCHING. FURRION RECOMMENDS CALLING 811 OR CONTACT THE DIG AGENCY IN YOUR AREA PRIOR TO INSTALLATION.

CONTACTING OR RUPTURING POWER, GAS OR WATER LINES COULD RESULT IN PROPERTY DAMAGE, PERSONAL INJURY OR DEATH.

FURRION AURORA 4.1 LANDSCAPE SPEAKER KITS	
Part #	Description
2022323828	Veranda Series
2022323829	Terrace Series



Table of Contents

- Introduction 1
- Safety 1
- Parts List 2
- Resources Required 3
- Installation Recommendations 3
- Wiring Plan 4
- Installation 5
- Wiring 5
- Specifications 6
- Technical Assistance 7
- Warranty 7
- Notes 8

Introduction

Thank you for your purchase of the Veranda or Terrace HiFi Landscape Speaker System. You have made a great investment in an outdoor audio system that will provide many years of enjoyment. The components in this system are made to withstand the harshest weather conditions.

This system is designed to work well with most any two-channel receivers or amplifiers, and will support up to eight (8) satellite speakers and two (2) dual VC subwoofers. Four satellite speakers and one subwoofer are included with this system. Each system can be expanded by adding two additional pairs of satellite speakers; to the Veranda (#2022323831) or the Terrace (#2022323830) systems.

Optional Veranda Series Add-ons & Accessories

	PN	Description
A	2022323837	Subwoofer
B	2022323831	Satellite Speaker (2)
C	2022323839	Surface Mount Bracket
D	2022323843	Ground Stake (4)
E	2022323842	Ground Stake - Bulk Pack (40)

Optional Terrace Series Add-ons & Accessories

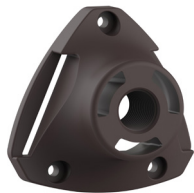
	PN	Description
A	2022323834	Subwoofer
B	2022323830	Satellite Speaker (2)
C	2022323839	Surface Mount Bracket
D	2022323843	Ground Stake (4)
E	2022323842	Ground Stake - Bulk Pack (40)



A



B



C



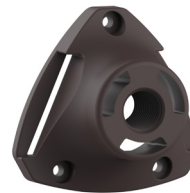
D & E



A



B



C



D & E

NOTE: Part numbers are shown for identification purposes only. Not all parts are available for individual sale. All parts with a link to the Lippert Store can be purchased.

Resources Required

- Burial Grade Wire
- Shovel or
- Wire cutters
- Trenching Tool

Installation Recommendations

The satellite speakers & subwoofer should be placed so the sound will be distributed evenly throughout your landscape area. For best results, plan the exact locations of each speaker along with the direct burial wire prior to digging the trench.

NOTE: FURRION recommends that the satellite speakers be placed 6–8 feet apart, and no more than 10 feet for the best listening experience. An example of a landscape audio layout is shown below.

NOTE: The ideal position for the subwoofer is in the center of the satellite speaker arrangement; bass response is enhanced if placed next to a wall or solid surface.

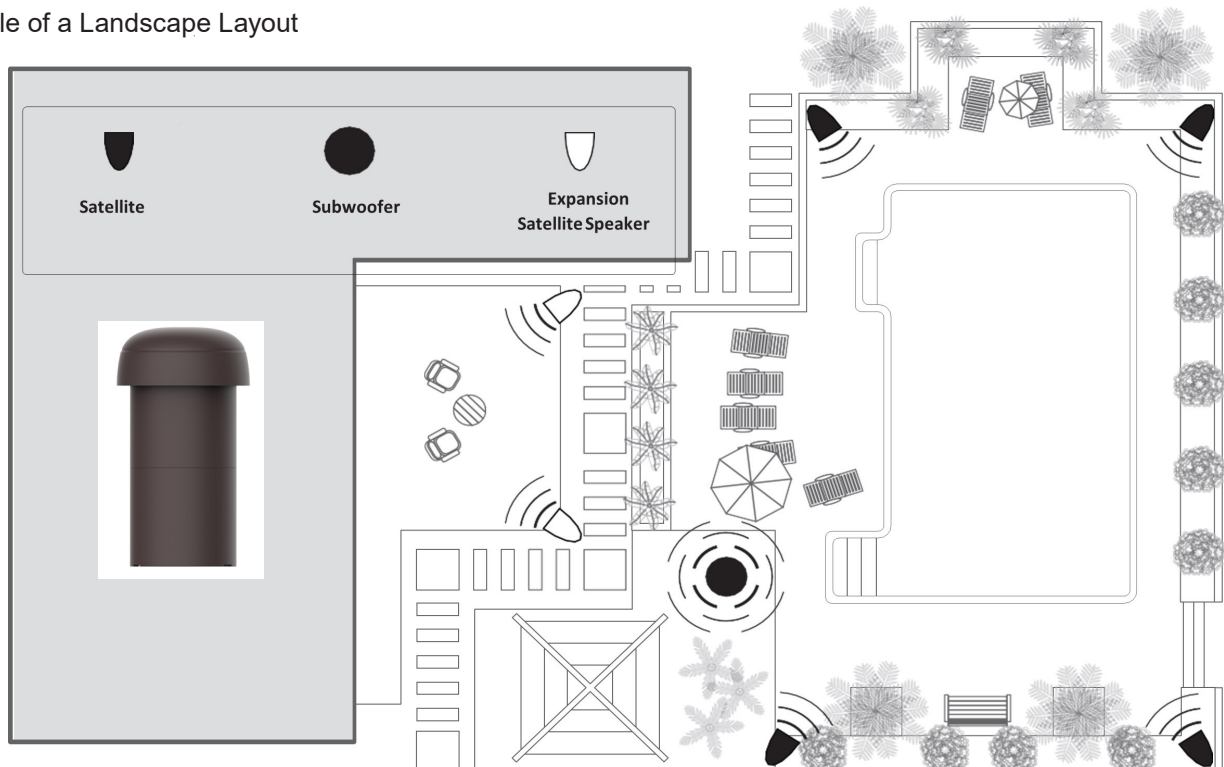
Speaker Wire Recommendation

Always use multi-strand two or four conductor direct burial wire designed for speaker connections to the receiver or amplifier.

Use this chart to select the minimum wire gauge for the length of the run.

Maximum Wire Length (ft)	Recommended Gauge
100	18
150	16
250	14
400	12

Example of a Landscape Layout

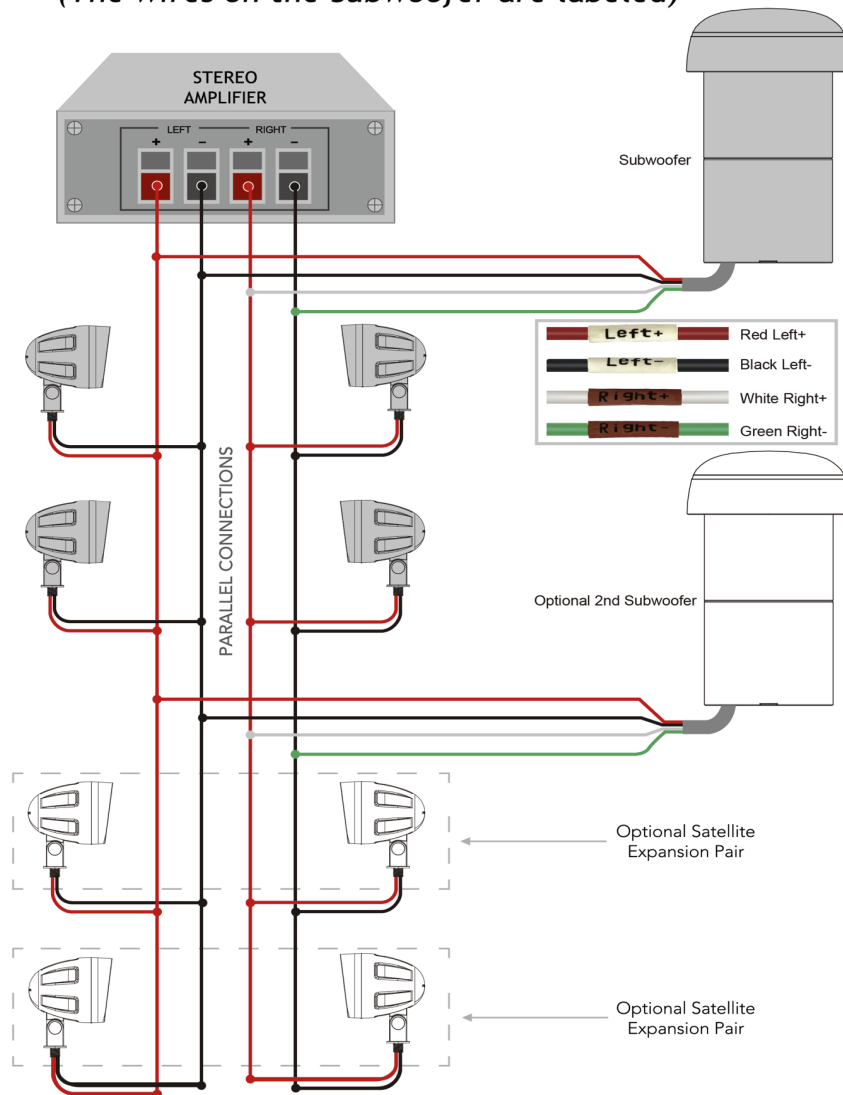


Wiring Plan

The satellite speakers and subwoofer should be connected in two parallel wire runs and possibly be buried in a single trench. The Furrion Aurora Landscape Speakers Systems are designed for speakers to be evenly divided between two wire runs with the subwoofer connected to both right and left. Below is a recommended connection.

NOTE: The The Furrion Aurora Landscape expansion speakers are specifically designed for these systems. Do not add any other brand of speakers to the system. Any other brand will have the wrong impedance and could damage your AVR or Amplifier.

Subwoofer Wiring Example (The wires on the Subwoofer are labeled)



Installation

Position the satellite speakers and subwoofer in your selected location. Adjust them where they would appear to deliver the best sound coverage.

⚠️ WARNING

INSTALLATION OF THIS SYSTEM MAY REQUIRE DIGGING OR TRENCHING. FURRION RECOMMENDS CALLING 811 OR CONTACT THE DIG AGENCY IN YOUR AREA PRIOR TO INSTALLATION.

CONTACTING OR RUPTURING POWER, GAS OR WATER LINES COULD RESULT IN PROPERTY DAMAGE, PERSONAL INJURY OR DEATH.

Multi-Mount Subwoofer – there are multiple ways to position and mount this model. It can simply sit on the deck or patio, set on the ground using the ground stake or positioned in the ground, as shown below.

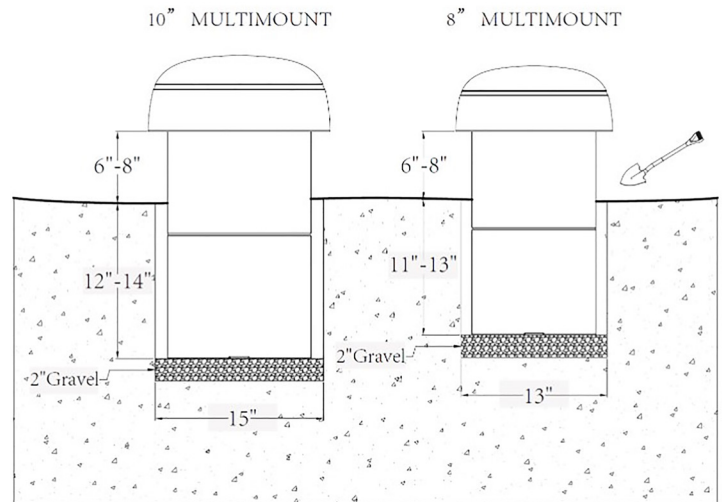
Accessories Provided

- Ground Stake
- Mounting Brackets
- Adjustable Leveling Feet



NOTE: If the Subwoofer is mounted in-ground, it is a good idea to add 1”– 2” of gravel at the bottom of the hole to facilitate drainage around the base of the unit. If you add a layer of gravel, dig the hole 1”– 2” deeper to accommodate it. See the Subwoofer In-ground Depth Chart for

Subwoofer In-ground Option Depth Chart



Wiring

FURRION recommends that you use only multi-strand direct burial wire. The gauge of the wire will depend on the length of the run (see page 3).

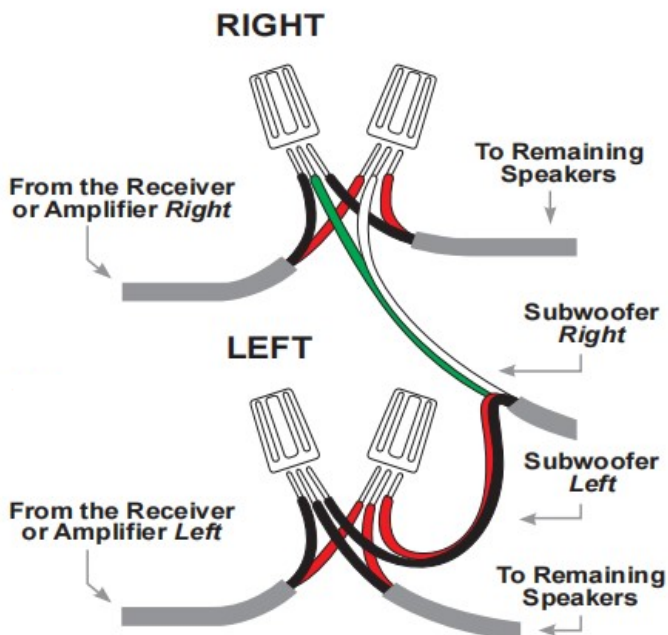
The subwoofer comes pre-wired with the industry standard (Right Positive (+) White, Right Negative (-) Green, Left Positive (+) Red, Left Negative (-) Black (see page 3).

It is very important that the same wire attached to the positive connector of the receiver or amplifier be attached to the positive connector of the speakers.

DO NOT connect your receiver or amplifier to an AC power outlet until all of the speakers are connected.

DO NOT allow any stray (+) and (-) wire strands to come in contact with each other. This could damage your receiver or amplifier.

Bundle all three of the right channel Positive (+) wires from the first speaker, and wire the remaining speakers together as noted above. Then, do the same for the left channel negative wires. Run the wires to the next speaker and connect them the same way.



- Fluorocarbon Textured Finish
- ½" NPT Connector
- 150°Pivoting Arm Assembly
- Comes with 11" Ground Stake
- Dimensions (D x L x H): 6" x 7.5" x 8.9" (without stake)
152.4 x 190.5 x 226.6mm
- Weight: 2.7 lbs. (1.22kg)

Specifications - Terrace

SUBWOOFER

- 8" (203mm) Dual VC Long Throw Driver
- PP Waterproof Cone with Rubber Surround
- Magnet Structure: 37 oz.
- Power Handling: 150W RMS @ 8Ω
- Frequency Response: 45 – 150Hz ± 3 dB
- SPL: 89 dB @ 1w/1m
- Material: HDPE-ASA
- Dimensions: 14" dia. X 24"H (355.6 x 609.6 mm)
- Weight: 20 lbs. (9.07 kg)
- Mounting Accessories Included

SATELLITE SPEAKER

- 3" (76.2mm) PP Waterproof Cone with Rubber Surround
- Tweeter: 0.50" (12.7mm) Marine Grade PEI Tweeter
- Frequency Response: 100Hz–20kHz ± 3dB
- SPL: 86 dB @ 1w/1m
- Power Handling: 5-100 Watts RMS @ 8Ω
- Made with acrylonitrile styrene acrylate (ASA). Made to withstand the harshest weather conditions
- Fluorocarbon Textured Finish
- ½" NPT Connector
- 150°Pivoting Arm Assembly
- Comes with 11" Ground Stake
- Dimensions (D x L x H): 5" x 6.4" x 8" (without stake)
127 x 162.6 x 203.2 mm
- Weight: 2 lbs. (0.998 kg)

Specifications - Veranda

SUBWOOFER

- 10" (254mm) Dual VC Long Throw Driver
- PP Waterproof Cone with Rubber Surround
- Magnet Structure: 80 oz. (2 x 40)
- Power Handling: 200W RMS @ 8Ω
- Frequency Response: 35 – 150Hz ± 3 dB
- SPL: 90 dB @ 1w/1m
- Material: HDPE-ASA
- Dimensions: 16" dia. X 26.8" H (405 x 680 mm)
- Weight: 31 lbs. (14.06kg)
- Mounting Accessories Included

SATELLITE SPEAKER

- 4" (101.6mm) PP Waterproof Cone with Rubber Surround
- Tweeter: 0.75" (19.05mm) Marine Grade PEI Tweeter
- Frequency Response: 80Hz–20kHz ± 3dB
- SPL: 87 dB @ 1w/1m
- Power Handling: 5-150 Watts RMS @ 8Ω
- Made with acrylonitrile styrene acrylate (ASA). Made to withstand the harshest weather conditions



Furrion Aurora® Landscape Speaker Systems

Add-Ons & Replacement Parts

Installation Manual

(For Aftermarket Applications)

Additional Speaker Pairs

You can safely add two additional pairs (four extra speakers) of our Satellite Speakers to the system.

The pair is known as the Furrion Aurora Landscape Speakers (2-Pack). For the Veranda Series, please use part number 2022323831 and for the Terrace Series, part number 2022323830. These optional add-ons can be purchased from any FURRION Dealer.

NOTE: Do not add any other brand of speakers to the system. The Furrion Aurora Landscape Speakers are specifically designed for these systems. Any other brand will have the wrong impedance and could damage your AVR or Amplifier.

Technical Assistance

If you have any trouble with the installation or have any technical questions, please call us at 432-LIPPERT (432-547-7378) or email us at: customerservice@lci1.com.

Warranty

Limited Three-Year Warranty

Limited Warranties & Liability

FURRION warrants that its speaker systems, speakers & accessories are free from defects in materials and workmanship for a period of three (3) years when purchased from a Authorized FURRION Dealer.

At FURRION's exclusive discretion, replace or repair of a authorized returned item(s) found to be defective upon inspection within the warranty period, shall constitute fulfillment of all FURRION's obligations under its warranty. This warranty does not apply to amplifiers or other equipment not manufactured by FURRION. These items are covered as stated in their respective manufacturer's warranty. The warranty period commences on the date of purchase. All conditions of installation and operation must have been complied with, or all applicable warranty is void. FURRION assumes no responsibility for the improper installation of its products or labor cost involved in repairs or replacements.

No other warranty or guarantees, either expressed or implied, exist beyond the stated warranty herein.

No employee or agent of FURRION may extend, modify and/or change the terms of this warranty.

Under no condition will FURRION be liable for any incidental, consequential, special or money damage in connection with any breach of its aforementioned warranty.

Merchandise Returns

No speakers or accessories may be returned by a customer without a prior written authorization in the form of a Return Goods Authorization (RGA) which has been issued by FURRION. RGAs will be issued at the sole discretion of FURRION and must be requested within sixty (60) days of shipment. All merchandise returned must be in its original carton and shipped to FURRION prepaid.



Furrion Aurora® Landscape Speaker Systems

Add-Ons & Replacement Parts Installation Manual (For Aftermarket Applications)

Notes



Manual information may be distributed as a complete document only, unless Lippert provides explicit consent to distribute individual parts.

All manual information is subject to change without notice. Revised editions will be available for free download at lippert.com. Manual information is considered factual until made obsolete by a revised version.

Please recycle all obsolete materials and contact Lippert with concerns or questions.