

Trekker™ 300W Portable Power Station

Installation and Owner's Manual

(For Aftermarket Applications)

Part #	Description
2022111762	Furrion Trekker 300

Table of Contents

Introduction	2
Safety	2
Product Specifications	2
Product Features	3
LCD Display Screen	4
Operation	5
Charging Modes	5
Product Usage Tips	6
Recycling	6
Maintenance	6
Notes	6

Trekker™ 300W Portable Power Station Installation and Owner's Manual (For Aftermarket Applications)

Introduction

This Furrion Trekker 300W Portable Power Station has a built-in high-quality lithium battery that supports DC, USB output, AC output.

Additional information about this product can be obtained from Lippert.com/support or by using the LippertNOW app. Replacement kits can be ordered from <https://store.lci1.com/> or by using the LippertNOW app.

The LippertNOW app is available for free on Apple App Store® for iPhone® and iPad® and also on Google Play™ for Android™ users.

App Store® and iPad® are registered trademarks of Apple Inc.

Google Play™ and Android™ are trademarks of Google Inc.

Safety

Read and fully understand all instructions before installing or operating this product.

Adhere to all safety labels.

⚠ WARNING
THE TREKKER 300 MAY GENERATE HEAT WHEN CHARGED. THIS IS NORMAL. BE CAREFUL WHEN HANDLING.

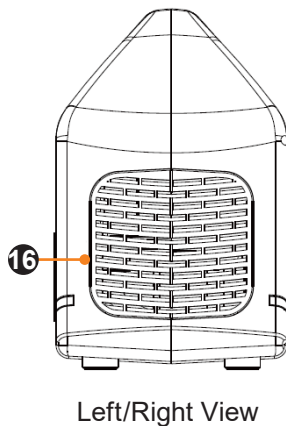
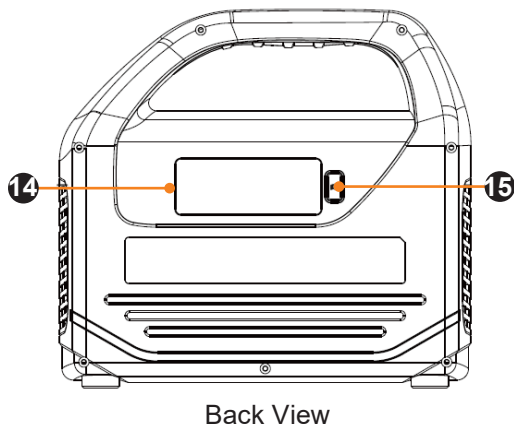
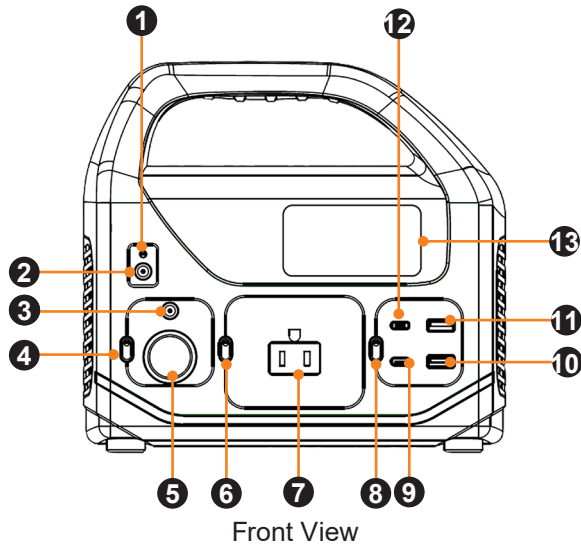
⚠ WARNING
DO NOT COVER THE TREKKER 300 WITH TOWELS, CLOTHES, OR OTHER OBJECTS WHEN USING.

⚠ CAUTION
KEEP THE TREKKER 300 OUT OF REACH OF CHILDREN.

Product Specifications

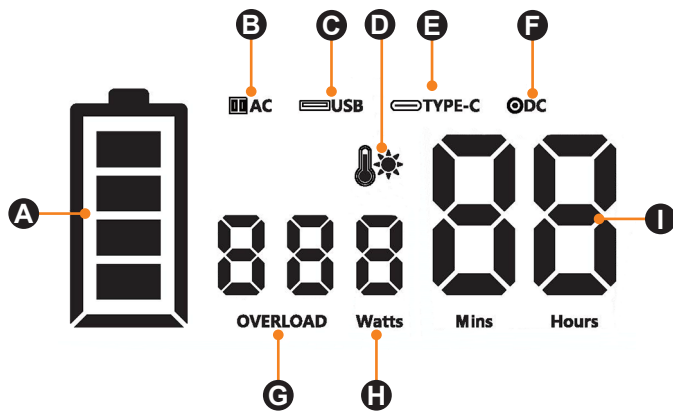
Description	Information
Size (L*W*H)	8-21/32" x 5-1/8" x 7-7/8"
Battery Capacity	9000mAh
Weight	6.6lbs
Built-in Battery Technology	100% original quality lithium battery
DC Input	DC15V/3.0A
MPPT	Yes
Fully Charged Time	About 9hrs
USB Output	USB 1 & 2 (QC3.0): 5V/3A 9V/2A 12V/1.5A USB-C PD 60W: 5V/3A 9V/3A 12V/3A 15V/3A 20V/3A (In/Out) USB-C PD 18W: 5V/3A 9V/2A 12V/1.5A
DC Output	DC*1+Cig Port*1. 12V/15A (Max)
AC Output	AC 120V/60Hz
AC Power	Continuous Power: 300W
LED Lighting Power	2W
LED Lighting	Three stage: Bright, Strobe, SOS
Battery Indicator	Symbol of battery cell, one cell represents 25% of power
Ambient Temperature	Charging: 0 - 104°F Discharging: -50 - 104° F Storage: 0 - 95°F
Cycle Life	500+ Times

Product Features



1. DC Input Indicator
2. DC Input Port
3. DC Output
4. DC Power Button
5. DC12V Car Cigarette Lighter
6. AC Power Button
7. AC Output
8. USB Power Button
9. USB-C PD60W Port
10. USB1 QC3.0 Port
11. USB2 QC3.0 Port
12. USB-C PD18W Port
13. LCD Display Screen
14. LED Power Panel
15. LED Button
16. Cooling Fan

LCD Display Screen



A. - Battery Life Indicator

The battery indicator when full will show four cells within, with each cell representing 25%. When charging, the cells will flash to represent the current state of the charging process. Once complete the screen will display “FUL”.

B. - AC Output Symbol

Long-press the button located by the AC output section of the unit to activate the outputs. The display will show the “AC” symbol when activated. To turn off, long-press the AC button again.

NOTE: It is important to turn off the AC outputs when not in use to avoid battery drain. These outputs are supported during the charging process.

C. - USB Output Symbol

Short-press the button located by the USB section of the unit to activate the ports.

The display will show either the “USB” symbol or the “USB TPYE-C” symbol dependent on the device plugged into the respective port.

To turn off, short-press the button.

D. - High Temperature Alarm Symbol

This icon will be displayed if the operating temperature of the unit is too high during use.

E. -Type-C Output Symbol

Short-press the button located by the USB section of the unit to activate the ports. The display will show either the “USB” symbol or the “USB TYPE-C” symbol dependent on the device plugged into the respective port. To turn off, short-press the button.

When charging the unit utilizing the PD 60W port the display will show the “USB TYPE-C” symbol.

F. - DC Output Symbol

Short-press the button located by the DC outputs to activate the ports. The “DC” symbol will be displayed when device is plugged into either of the ports.

To turn off, short-press the button.

G. OVERLOAD - Overload Alarm Symbol

When the product is overloaded, the overload alarm symbol will be on, the corresponding port symbol will flash, the automatic protection will be turned on and the output will be closed. After the load is removed, the symbol will be closed, AC will be automatically recovered, and other buttons can be pressed for recovery.

H. - Real Time Power Display Symbol

Whether the unit is being charged or discharged (powering devices), the display will represent the amount of power being used or delivered at the current time. This number will fluctuate in real time with the plugged in devices demand.

I. - Real Time Use of Time Symbols

When the unit is being charged, this display will provide the amount of time estimated until full charge is achieved. When the unit is being used to power a device, the display will show the amount of time estimated until charge is required.

Operation

Charging Modes

⚠ CAUTION

PLEASE STAY AWAY FROM TV, RADIO AND OTHER EQUIPMENT TO AVOID INTERFERENCE DURING CHARGING.

Plug the Power Adapter (Fig. 1A) into the wall outlet (Fig. 1B). Next plug the Trekker 300 adapter's round plug into the DC input (Fig. 1C). The Trekker 300W is fully charged in about 9 hours. The Battery Life indicator will show full when this is achieved (Fig.1D).

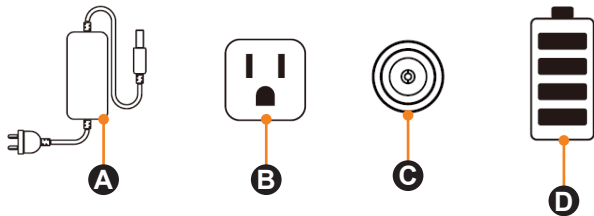


Fig.1

To charge the Trekker 300W with the USB-C PD 60W input (Fig.2A) (charger not supplied) plug charger into the PD 60W input to begin the charging process. The Trekker 300W is fully charged in about 7 hours. The Battery Life indicator will show full when this is achieved (Fig. 2D).

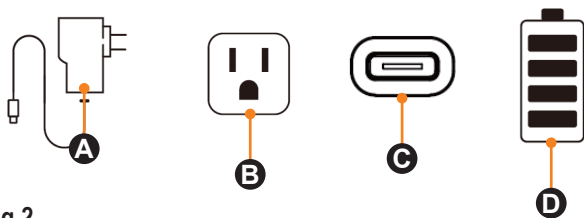


Fig.2

Plug the car charger (Fig. 3A) into the car charging unit in the vehicle (Fig. 3B). Then plug the power adapters round plug into the DC input (Fig. 3C). The Trekker 300W is fully charged in about 13 hours. The Battery Life Indicator will show full when this is achieved (Fig.3D).

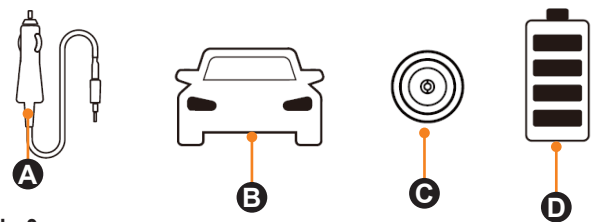


Fig.3

When utilizing solar panels (sold separately) to charge the Trekker 300W it is important panel wattage does not exceed 100W (Fig.4A). Plug the solar panel into the DC Input (Fig.4B). The Trekker 300W is fully charged in about 10-15 hours. The Battery Life Indicator will show full when this is achieved (Fig.4D).

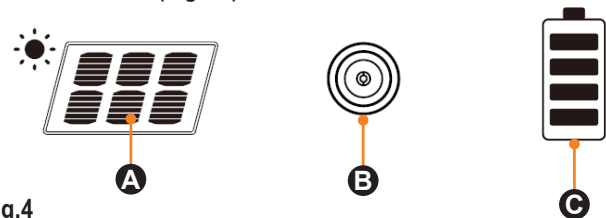


Fig.4

NOTE: When storing the Trekker 300W for extended periods of time, be sure to disconnect all cables prior to storage.

NOTE: To maintain the battery health of the Trekker 300W, it is recommended to charge the unit every 3 months or at least once in a 6-month period.

Trekker™ 300W Portable Power Station Installation and Owner's Manual (For Aftermarket Applications)

Product Usage Tips

- Please observe ambient temperature range of 50-68 F for optimal performance/charging.
- Be aware of electronic inference which can potentially disrupt the unit during the charging process.
- When Storing the Trekker 300W for extended periods of time, be sure to disconnect all cables prior to storage.
- To maintain the battery health of the Trekker 300W, it is recommended to charge the unit every 3 months or at least once in a 6-month period.

Recycling

Follow proper recycling guidelines for disposal of this product.

Maintenance

WARNING

AVOID STORING THIS DEVICE WITH COINS, BRACELETS, KEYS AND OTHER METAL OBJECTS. STORING WITH THESE ITEMS CAN CAUSE A SHORT CIRCUIT.

- Do not expose the unit to excessive heat, fire, liquids or long periods of direct exposure to the sun.
- Avoid excessive exposure to areas with high humidity.
- Do not dismantle the unit.
- Impacts, drops or mishandling of the unit will potentially result in damage.
- Follow proper recycling guidelines for disposal of this product.

