

# Trekker™ 500W Portable Power Station

Installation and  
Owner's Manual  
(For Aftermarket Applications)

Part #	Description
2022111763	Furrion Trekker 500

## Table of Contents

Introduction .....	2
Safety .....	2
Product Specifications .....	2
LCD Display Screen .....	4
Operation .....	5
Charging Modes .....	5
Product Usage Tips .....	6
Recycling .....	6
Maintenance .....	6
Notes	

# FURRION

## Trekker™ 500W Portable Power Station Installation and Owner's Manual (For Aftermarket Applications)

### Introduction

The Trekker 500W Portable Power Station has a built-in high-quality lithium battery that supports DC, USB output, AC output.

Additional information about this product can be obtained from [Lippert.com/support](http://Lippert.com/support) or by using the LippertNOW app. Replacement kits can be ordered from <https://store.lci1.com/> or by using the LippertNOW app.

The LippertNOW app is available for free on Apple App Store® for iPhone® and iPad® and also on Google Play™ for Android™ users.

App Store® and iPad® are registered trademarks of Apple Inc.

Google Play™ and Android™ are trademarks of Google Inc.

### Safety

Read and fully understand all instructions before installing or operating this product.

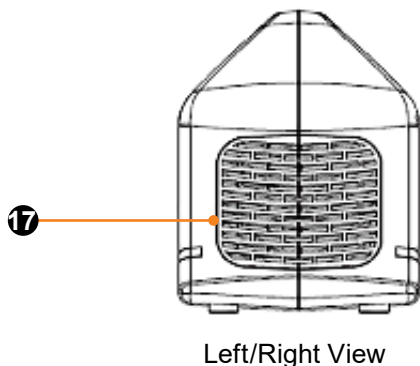
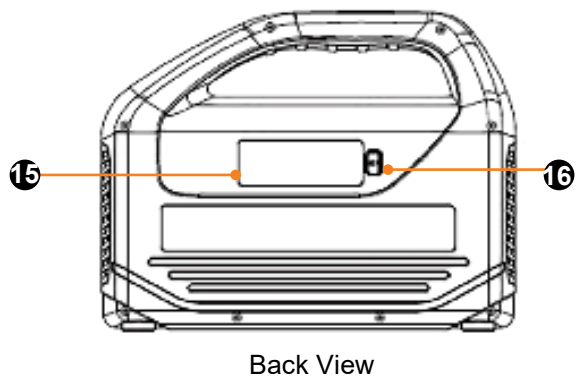
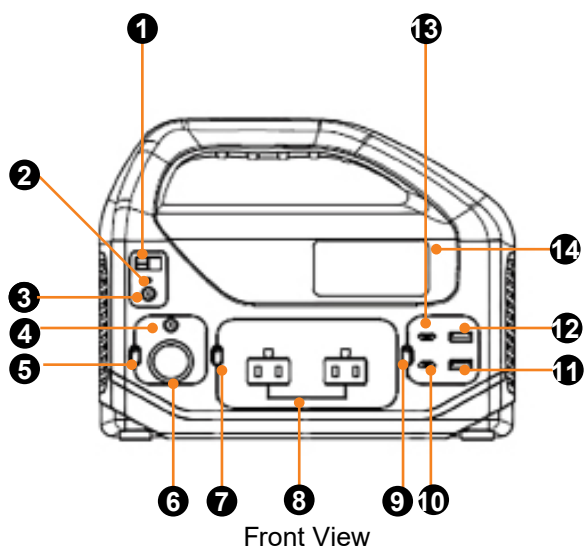
Adhere to all safety labels.

<b>⚠ WARNING</b>
THIS TREKKER 500 MAY GENERATE HEAT WHEN CHARGED. THIS IS NORMAL. USE CAUTION WHEN HANDLING.
<b>⚠ WARNING</b>
DO NOT COVER THE TREKKER 500 WITH TOWELS, CLOTHES, AND OTHER ARTICLES WHEN USING.
<b>⚠ CAUTION</b>
PLEASE KEEP TREKKER 500 OUT OF REACH OF CHILDREN.

### Product Specifications

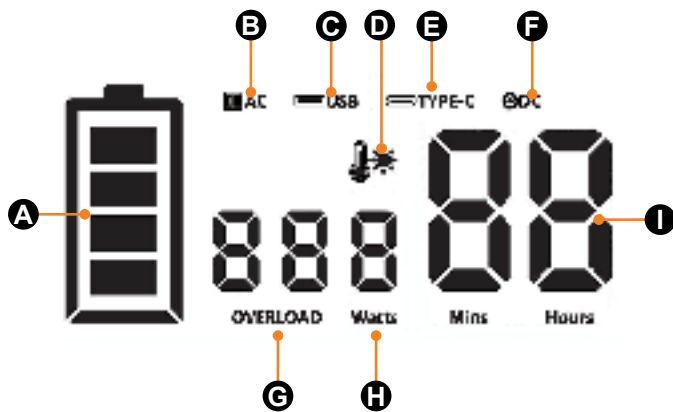
Description	Information
Size (L*W*H)	10-1/4" x 6-3/10" x 8-27/100"
Battery Capacity	150000mAh/555Wh
Weight	10.47lbs
Built-in Battery Technology	100% original quality lithium battery
DC Input	DC18V/3.6A
Anderson Port	It supports 18V solar charging, and it is recommended to use solar panels above 100W
MPPT	Yes
Fully Charged Time	9hrs
USB Output	USB 1 & 2 (QC3.0): 5V/3A 9V/2A 12V/1.5A USB-C PD 60W: 5V/3A 9V/3A 12V/3A 15V/3A 20V/3A (In/Out) USB-C PD 18W: 5V/3A 9V/2A 12V/1.5A
DC Output	DC*1+Cig Port*1. 12V/15A (Max)
AC Output	AC 120V/60Hz
AC Power	Continuous Power: 500W
LED Lighting	Three stage: Bright, Strobe, SOS,
LED Lighting Power	2W
Battery Indicator	Symbol of battery cell, one cell represents 25% of power
Ambient Temperature	Charging: 0 - 104°F Discharging: -50 - 104° F Storage: 0 - 95°F
Cycle Life	500+ Times

## Trekker™ 500W Portable Power Station Installation and Owner's Manual (For Aftermarket Applications)



1. Anderson Port
2. DC Input Indicator
3. DC Input Port
4. DC Output
5. DC Power Button
6. DC12V Car Cigarette Lighter
7. AC Power Button
8. AC Output
9. USB Power Button
10. USB-C PD60W Port
11. USB1 QC3.0 Port
12. USB2 QC3.0 Port
13. USB-C PD18W Port
14. LCD Display Screen
15. LED Power Panel
16. LED Button
17. Cooling Fan

### LCD Display Screen



**A.** - Battery Life Symbol

The battery indicator when full will show four cells within, with each cell representing 25%. When charging, the cells will flash to represent the current state of the charging process. Once complete the screen will display “FUL”.

**B.** - AC Output Symbol

Press the AC button for a long time to turn on the power. The symbol will light up. At this time, the AC output socket of the product can be used for output. If the AC socket is not used, please long press the AC button in time to power off. The AC symbol will disappear, which can reduce unnecessary loss (When the AC output is on, the product will always be in power on state and will not be closed automatically).

Support charging and discharging at the same time.

**C.** - USB Output Symbol

Short-press the button located by the USB section of the unit to activate the ports.

The display will show either the “USB” symbol or the “USB TYPE-C” symbol dependent on the device plugged into the respective port.

To turn off, short-press the button.

**D.** - High Temperature Alarm Symbol

This icon will be displayed if the operating temperature of the unit is too high during use.

**E.** -Type-C Output Symbol

Short-press the button located by the USB section of the unit to activate the ports. The display will show either the “USB” symbol or the “USB TYPE-C” symbol dependent on the device plugged into the respective port. To turn off, short-press the button.

When charging the unit utilizing the PD 60W port the display will show the “USB TYPE-C” symbol.

**F.** - DC Output Symbol

Short-press the button located by the DC outputs to activate the ports. The “DC” symbol will be displayed when device is plugged into either of the ports.

To turn off, short-press the button.

**G.** OVERLOAD - Overload Alarm Symbol

When the product is overloaded, the overload alarm symbol will be on, the corresponding port symbol will flash, the automatic protection will be turned on and the output will be closed; after the load is removed, the symbol will be closed, AC will be automatically recovered, and other buttons can be pressed for recovery.

**H.** - Real Time Power Display Symbol

Whether the unit is being charged or discharged (powering devices), the display will represent the amount of power being used or delivered at the current time. This number will fluctuate in real time with the plugged in devices demand.

**I.** - Real Time Use of Time Symbols

When the unit is being charged, this display will provide the amount of time estimated until full charge is achieved. When the unit is being used to power a device, the display will show the amount of time estimated until charge is required.

### Operation

#### Charging Modes

### ⚠ CAUTION

PLEASE STAY AWAY FROM TV, RADIO AND OTHER EQUIPMENT TO AVOID INTERFERENCE DURING CHARGING.

Plug the Power Adapter (Fig. 1A) into the wall outlet (Fig. 1B). Next plug the power adapters round plug into the DC input (Fig. 1C). The Trekker 500W is fully charged in about 9 hours. The Battery Life indicator will show full when this is achieved (Fig.1B).

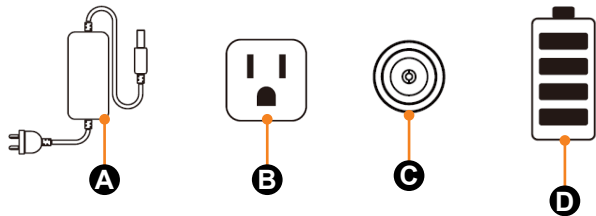


Fig.1

To charge the Trekker 500W with the USB-C PD 60W input (Fig.2C), (charger not supplied (Fig. 2A)) plug charger into the PD 60W input to begin the charging process. The Trekker 500W is fully charged in about 7 hours. The Battery Life indicator will show full when this is achieved (Fig. 2D).

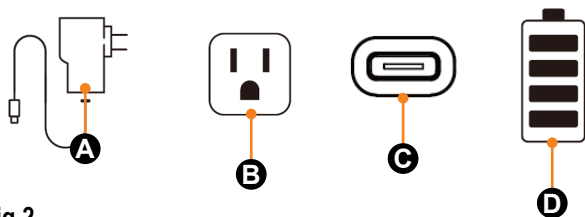


Fig.2

Plug the car charger (Fig. 3A) into the car charging unit in the vehicle (Fig. 3B). Then plug the power adapters round plug into the DC input (Fig. 3C). The Trekker 500W is fully charged in about 13 hours. The Battery Life Indicator will show full when this is achieved. (Fig. 3D).

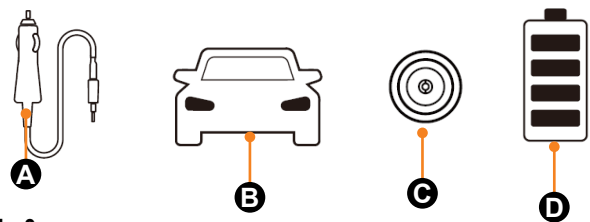


Fig.3

When utilizing solar panels (sold separately) to charge the Trekker 500W it is important panel wattage does not exceed 100W (Fig. 4A). Plug the solar panel into the DC Input or the Anderson Input (Fig. 4B/ 4C). The Trekker 500W is fully charged in about 10-15 hours. The Battery Life Indicator will show full when this is achieved (Fig.4D).

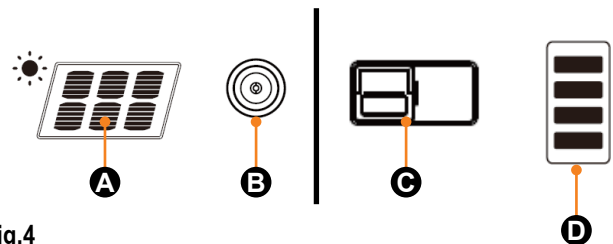


Fig.4

**NOTE:** When storing the Trekker 500W for extended periods of time, be sure to disconnect all cables prior to storage.

**NOTE:** To maintain the battery health of the Trekker 500W, it is recommended to charge the unit every 3 months or at least once in a 6 month period.

## Trekker™ 500W Portable Power Station Installation and Owner's Manual (For Aftermarket Applications)

### Product Usage Tips

- Please observe ambient temperature range of 50-68 F for optimal performance/charging.
- Be aware of electronic inference which can potentially disrupt the unit during the charging process.
- When storing the Trekker 500W for extended periods of time, be sure to disconnect all cables prior to storage.
- To maintain the battery health of the Trekker 500W, it is recommended to charge the unit every 3 months or at least once in a 6-month period.

### Recycling

Follow proper recycling guidelines for disposal of this product.

### Maintenance

#### **⚠ WARNING**

**AVOID STORING THIS DEVICE WITH COINS, BRACELETS, KEYS AND OTHER METAL OBJECTS. STORING WITH THESE ITEMS CAN CAUSE A SHORT CIRCUIT.**

- Do not heat the Trekker 1000 or submerge in water or other liquids and avoid high temperatures, including direct exposure to the sun.
- Do not use or store the Trekker 1000 in a highly humid or dusty environment.
- Do not drop, place heavy objects on or damage the Trekker 1000.
- Please dispose of the end-of-life Trekker 1000 according to regulations, and do not dispose of the built-in battery as household waste.
- Use the Trekker 1000 as directed and avoid electric shock.

## Notes

A series of horizontal lines providing a space for handwritten notes.

