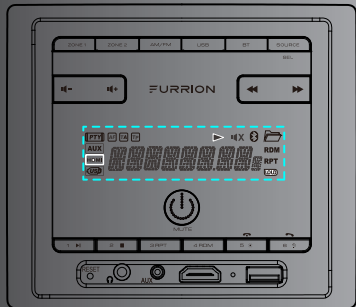


FURRION



Entertainment System DV 7200 Instruction Manual

Welcome

Thank you for purchasing this Furrion® Entertainment System. Before placing your new product into operation, please read these operating instructions carefully. They contain important information for safe use, installation and maintenance of the product.

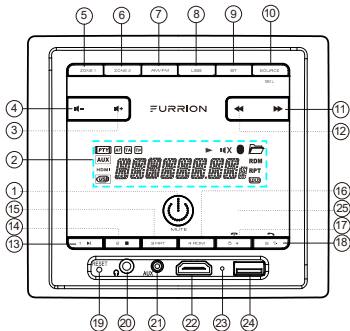
Please keep this instruction manual in a safe place for future reference. Pass it onto possible new owners of the product. The manufacturer does not accept responsibility for any damages that may arise due to non-observation of these instructions.

If you have any further questions regarding our products, please contact us at **support@furrion.com**

Contents

Welcome	1
Contents	2
Locations and Names of the Controls	3
Remote Control	5
Installation	7
Connections	9
Operation	14
Common Operation	14
Radio Operation	17
USB Operation	18
Bluetooth Operation	20
Specification	24
Warranty	26

Locations and Names of the Controls

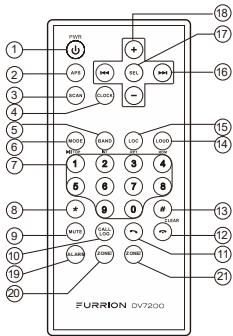


Item	Button
1	Power & Mute
2	LCD Display
3	Volume +
4	Volume -
5	ZONE 1

Locations and Names of the Controls

Item	Button	Item	Button	Item	Button	Item	Button
6	ZONE 2	11	Next	16	4/RDM	21	Aux In Jack
7	AM/FM	12	Previous	17	5/Backlight/ Hang up	22	HDMI In Jack
8	USB	13	1/Play/ Pause	18	6/Clock Adjust/ Alarm/TEL	23	Microphone
9	BT	14	2/STOP	19	RESET	24	USB Socket
10	SOURCE/ SEL	15	3/RPT	20	Headphone Socket	25	NFC Detection Area

Remote Control



Item	Button
①	POWER
②	APS
③	SCAN
④	CLOCK
⑤	BAND

Item	Button
⑥	MODE
⑦	Number(0-9) 1/ PLAY/ PAUSE /TOP Button 2/INT Button 3/RPT Button 4/RDM Button
⑧	* Button

⑤

Remote Control

Item	Button
9	MUTE
10	CALL LOG
11	TEL
12	HANG UP
13	# Button

Item	Button
14	LOUD
15	LOCAL
16	UP & DOWN
17	SEL
18	+ & -

Item	Button
19	ALARM
20	ZONE 1
21	ZONE 2

Installation

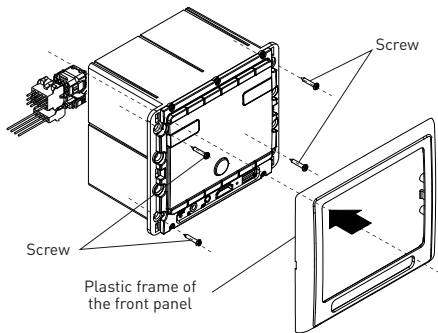
Location

- Choose a mounting location away from humid areas, water sources, burning products or any equipment that can radiate heat.
- Select an area on the wall or cabinet, which is free from cable, fuel or brake lines. There is a vent hole at the back of the unit for cooling purpose, do not block it.
- Ensure when the stereo is mounted in the cut out that the wires at the rear of the unit are not pressed against the heat sink.

Installing the unit

- Before finally installing the unit, connect the wiring temporarily and make sure the unit and the system can work properly.
- Fix the unit to the wall using 4 self-tapping screw as indicated in the illustration.

Installation



1. Remove plastic frame of the front panel from the unit.
2. Fix the unit to the wall with 4 #8 pan head self-tapping screw.
3. Replace the plastic frame of the front panel to the unit.

Connections

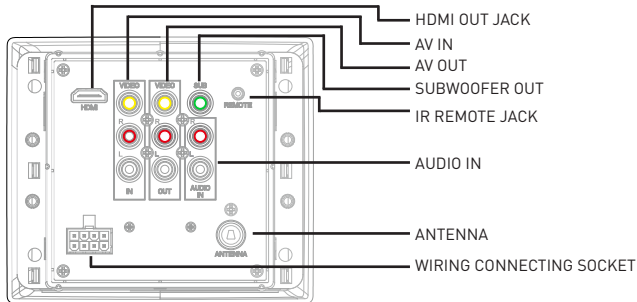
Supported Audio Format

File Extension	.mp3	.wma
Audio Code	MP3	WMA
Bit Rate	16kbps - 320kbps CBR/VBR	16kbps - 320kbps
Sampling Rate	8k - 48kHz	8k - 48kHz
Remark	/	WMA only support WMA7/WMA8/WMA9/ (CBR/VBR)(only support 353 format)

NOTE: Reading the above file formats is not guaranteed.

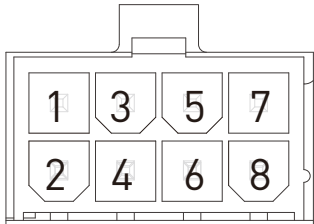
Connections

Wiring Diagram



Connections

Wiring connecting socket view



Item	Color	Function
①	Green	Zone 2 Left Speaker(+)
②	Purple/ Black	Zone 2 Right Speaker(-)
③	White	Zone 1 Left Speaker(+)
④	Gray/ Black	Zone 1 Right Speaker(-)
⑤	Gray	Zone 1 Right Speaker(+)
	White/ Black	Zone 1 Left Speaker(-)

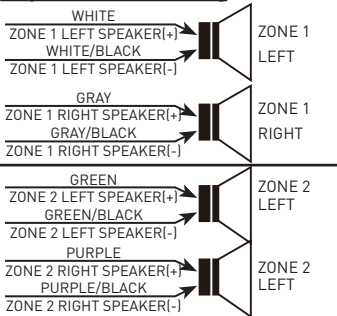
Connections

Item	Color	Function
⑥	Purple	Zone 2 Right Speaker(+)
	Green/ Black	Zone 2 Left Speaker(-)
⑦	Red	+12V DC
⑧	Black	Power Ground

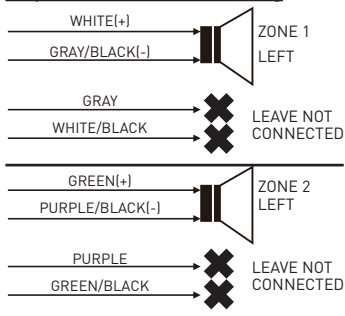
NOTE: All speakers must be connected as shown. If one wire is removed or not connected properly, all speakers on relevant zone will fail to work. It is of importance to pay attention in speaker polarity. Connection with incorrect speaker polarity will lead to poor sound quality.

Connections

4-Speaker (2 ZONE) Wiring



2-Speaker Mono (2 ZONE) Wiring



Operation

Common Operation

1. To turn the unit On/Off
When the unit is powered **Off**, it may be switched On by pressing the **POWER** button. When the unit is switched On, press and hold the **POWER** button to switch it off.
2. To select the function mode
Press **AM/FM, USB, BT** button on the front panel to select the corresponding mode.
Press **SOURCE** button repeatedly on the front panel to select HDMI, AUX, AV mode.
3. To adjust the volume level
During playback, press **VOLUME+** or **VOLUME-** button on the front panel to increase or decrease the volume.
4. To mute or resume the sound
During playback, press **MUTE** button on the front panel to mute or resume the sound immediately.
5. To check speaker output status and select speaker output
Short-press **ZONE 1** or **ZONE 2** button on the front panel to check the speaker output status.
Press and hold **ZONE 1** or **ZONE 2** button on the front panel to turn on/off the corresponding speaker output, "**Z 1 ON/OFF**" or "**Z 2 ON/OFF**" will be displayed on the LCD.
6. To set the sound mode and menu

Operation

Press and hold **SEL** button to turn on BASS, then press **SEL** button repeatedly to select or circulate through TRE (treble), EQ OFF (FLAT/...AMERICA3/AUSTRALIA/EUROPE (in radio mode), press VOLUME+/- to change the settings. Press **SEL** button to confirm your selection.

- 1) BEEP ON/BEEP OFF

BEEP ON mode: The beep is generated when any key is pressed.

BEEP OFF mode: The beep sound is disabled.

- 2) VOL LAST/VOL DEFA

VOL LAST: The last volume level setting will be saved automatically after switched the unit off, and restored after powered on.

VOL DEFA: Press **SEL** button on the front control panel, the **AVOL** mark will be displayed on LCD. Use VOLUME+/- to set the volume level as a constant value.

- 3) DX/LOCAL

In Radio mode, with the DX/LOCAL selection you can change the attenuator settings at the input stage of the radio. This selection helps to avoid overloading the radio when strong (local) stations are received. Select DX (distant) mode to receive far / weak radio stations (highest sensitivity settings are enabled) and select LOCAL for very strong stations (which are located nearby).

Operation

(**NOTE:** This button is only for FM reception. In AM mode, LOC is invalid.)

7. To display and adjust the time
Press and hold **6** button until the clock becomes flashing. Use **VOLUME +/-** button to adjust the hour, and **◀ / ▶** button to adjust the minute.
8. To adjust the backlight brightness
Press and hold **5/BACKLIGHT** button repeatedly to adjust the backlight.
9. Alarm Function
 - 1) To turn On/Off the alarm mode
Press **6** button repeatedly to enter the alarm setting mode. (Use **VOLUME +/-** button to select **ALARM ON** or **ALARM OFF**)
 - 2) To set the **ALARM** time
Press and hold the **6** button repeatedly to ALARM time setting mode (the LCD will display the time "**AM 00'00**"), then use the **◀ / ▶** button to set the **MINUTE** and **VOLUME +/-** button to set the HOUR.
10. To reset the unit
 - 1) Press **RESET** button with a cuspidal object. The unit will be reseted to factory default settings.

Operation

- 2) In AUX mode, press and hold **2/STOP** button until the LCD displays "RESET III", then press and hold **3/RPT** button to reset to the factory default settings.

Radio Operation

1. To select radio band
Press **AM/FM** button repeatedly to select a desired radio band in sequence and circulating as:
-->FM1-->FM2-->FM3-->AM1-->AM2-->.
2. To search for radio station manually or automatically
 - In radio mode, press **◀/▶** button to search your desired radio stations up/down manually.
 - Press and hold **◀/▶** button to search for the strongest station up/down automatically.
3. To store current station or turn on a preset one
 - 1) If you want to store the current station, press and hold **AM/FM** button until the frequency flashes, press one of the digit buttons from 1~6 to store the current station in the preset memory bank. In this way the unit can store 30 preset stations.
 - 2) Press one of the 6 buttons from 1~6 to enter the preset station in current band.
4. To auto search and store the top 6 strongest stations
In radio mode, press and hold **2/STOP** button on the front panel, the unit will start to search the

Operation

available stations and check the signal strength from the lowest frequency. The top 6 strongest stations will be saved to the corresponding preset numbered band 1-6.

5. To set the frequency

Press and hold **SEL** button to turn on BASS, then press **SEL** button repeatedly to select AMERICA3, AUSTRALIA or EUROPE area, press **VOLUME+/-** button to select your desired frequency. Press **SEL** button to confirm your selection.

USB Operation

1. To insert or pull out the USB stick

To play the tracks in USB disk, insert the USB disk into the USB port. The playing mode will be changed to USB mode automatically and the USB mark will be displayed on LCD.

2. Press ◀ or ▶ button to play previous or next track.

3. To play fast forward or backward

Press and hold ◀ or ▶ button to play backward or fast forward, release to resume normal playback.

4. To play previous or next 10th track.

Press 5 or 6 button to play previous or next 10th track.

5. How to use **1/PLAY/PAUSE** button

Operation

During playback, press **1/PLAY/PAUSE** button to pause playback, press **1/PLAY/PAUSE** button again to resume, press and hold **1/PLAY/PPAUSE** button to select the first track to play.

6. To repeat track(s)

- During playback, press **3/RPT** button briefly to play the current track repeatedly. **RPT ONE** will be displayed on LCD.
- Press **RPT** button twice to play the track(s) in the album repeatedly. **RPT DIR** will be displayed on LCD.
- Press **RPT** button thrice to repeat all tracks. **RPPT ALL** will be displayed on LCD.
- Press the **RPT** button four times to cancel the RPT function , **RPT OFF** will be displayed on LCD.

7. To play tracks at random

During playback, press **RDM** button to play all tracks at random. Press it again to cancel.

8. To search a track

Press **USB** button, the TRK 0/00/000 (depending on the total tracks to be saved in the USB disk, the mark may be different) mark will be displayed on LCD and the digit 0 becomes flashing. Press **VOLUME+/-** button to select a digit from 0~9, press **USB** button to confirm your selection, the digits 00 becomes flashing. Repeat the steps above to input the digits at 00 and 000 positions. After finished the inputting, press **1/PLAY/PAUSE** button to play the track to be selected.

Operation

Bluetooth Operation

Pair and Connect

1. Click the **BT** button in DV7200 to go to Bluetooth mode.
2. You should see **NO LINK** displayed in the LCD. If you see BT LINK and the Bluetooth icon is on, it means DV7200 is already connected to another mobile. You can clear it by pressing and holding the **BT** button for ~ 2 seconds until **NO LINK** is shown, then continue with the rest of the steps below.
3. Go to the Bluetooth section of your mobile, usually under Settings (or another sub-menu under Connections).
4. Ensure Bluetooth is turned On.
5. Select FURRIION DV7200-XXXX (where X can be any alphanumeric number A-Z or 0-9). In Android devices, you will see another similarly-named devices under DV7200-4.0-XXXX. DO NOT use that one. It is used for Apps control to be described later. If you click on it accidentally, please clicke the gear icon to forget (or unpair) it.
6. Enter 0000 when prompted for PIN.
7. If the pairing and connection is successful, the mobile will show connected while DV7200 will show **BT LINK** and the Bluetooth icon in LCD.

Operation

NOTE: DV7200 supports NFC pairing. The NFC detection area is on the right of the **Power** button.

Disconnect and Reconnect

- Bluetooth connection of mobile devices typically covers a 33 ft (10 m) open-field range. And DV7200 “remembers” the last connected mobile. For any out-of-range disconnection, DV7200 will auto-reconnect to your mobile once it is back in range again.
- If you explicitly disconnect the Bluetooth link by pressing the corresponding menu item in your mobile. DV7200 will not auto-reconnect. You can press the menu item in mobile again to reconnect.
- If you turn off Bluetooth in mobile during a connection, DV7200 will not auto-reconnect when you turn on Bluetooth in mobile again. Some mobile will try to reconnect the last connected device but that’s particular mobile’s specific implementation.
- However, if you turn off Bluetooth in mobile after an out-of-range disconnection, DV7200 will auto-reconnect once you turn on Bluetooth in mobile and it’s within connection range.
- Note that during the disconnection arise from any case, DV7200 can be paired and connected by any other mobile device.

Forget (or Unpair)

- You can explicitly forget (or unpair) DV7200 in mobile. If you do that while connected in range,

Operation

DV7200 will be properly notified and all settled.

- If you do that after an out-of-range disconnection, DV7200 will repair and reconnect the mobile. In that case, you can press and hold the **BT** button for ~ 2 seconds in DV7200 to clear its memory.

Profiles

- DV7200 supports Audio Playback (AD2P, AVRCP) and Hands free Calling (HFP). Follow your mobile device settings if you want to enable or disable a particular support.

Audio Playback

- When audio is streamed from mobile to DV7200, BT AUDIO is shown on the LCD.
- You can control the trick modes (play, stop, next, prev) either from mobile or DV7200.
- If you hear no sound or very low volume output, please check and turn up the volume in mobile, then adjust the volume in DV7200 to the level of your choice.

Hands free Calling

- Phone calls is automatically transferred to DV7200.
- To answer and hangup call, press the corresponding buttons in mobile or DV7200, TALKING is shown on the LCD during the call.
- To dial out, use dial pad or phone book in mobile to make the call. You can press the **TEL**

Operation

button in DV7200 to recall the last number. With the physical remote control, you can press the **CALL LOG** button to select LAST DIAL, LAST IN, and LAST MISS, then press + or - button to flip through the last numbers.

- While talking, use **Volume +/-** to adjust the speaker volume level. The adjustment is for the call instance only. It cannot be saved and will not affect the music playback volume.
- Note that **MUTE** button is to mute the speaker only and not the mic. You have to use the phone dialer in mobile to mute the mic if you need to.

Mobile App

- You can use the Furrion ES Control App (both Android and iOS versions) and thus your mobile as a remote control.
- The app uses BT Low Energy (BLE) technology to connect to DV7200 instead of infrared in the physical remote control, and thus not limited by line-of-sight connection.
- While the App checks for compatibility, it will be good for you to cross-check the specifications of your mobile to see if it supports BLE technology before the installation.
- Search for "Furrion ES Control" in Google Play (Android) or App Store (iOS) according to your mobile device and install. Run the app according to the instructions within.
- The App works with multiple models in the Furrion DV range entertainment system.

Specification

GENERAL

Supply Voltage	DC 12V
Current Consumption	Max.5A
Power Output	4 x 9 W RMS (4 Ohm speakers).
Number of Channels	4 channels
Dimensions (W x H x D)	5 ¹ / ₈ x 4 ¹ / ₂ x 3 ³ / ₈ inch 130 x 113 x 86 mm

AM SECTION

Frequency Range	522KHz - 1620KHz (Europe) 530kHz - 1710KHz (U.S.A.) 522KHz - 1710KHz (Australia)
Effective Sensitivity	40dBu
Preamp Output	1V Output

Specification

FM SECTION

Frequency Range	87.5MHz - 108MHz (Europe) 87.5MHz - 107.9MHz (U.S.A.) 87.5MHz - 108MHz (Australia)
Effective Sensitivity	12dBu

USB PLAYBACK

Audio Format	MP3, WMA
Frequency Characteristics	20Hz - 100Hz ≤ 5 dB 10KHz-20KHz ≤ 5 dB
Signal to Noise Ratio (SNR)	50dB [1KHz]

Warranty

FURRION WARRANTS FOR A PERIOD OF 1 YEAR FROM DATE OF RETAIL PURCHASE BY THE ORIGINAL END-USE PURCHASER, THAT THIS PRODUCT, WHEN DELIVERED TO YOU IN NEW CONDITION, IN ORIGINAL PACKAGING, FROM A FURRION AUTHORIZED RESELLER AND USED IN NORMAL CONDITIONS, IS FREE FROM ANY DEFECTS IN MANUFACTURING, MATERIALS, AND WORKMANSHIP. IN CASE OF SUCH DEFECT, FURRION SHALL REPLACE OR REPAIR THE PRODUCT AT NO CHARGE TO YOU. THIS WARRANTY DOES NOT COVER: PRODUCTS WHERE THE ORIGINAL SERIAL NUMBERS HAVE BEEN REMOVED, ALTERED OR CANNOT READILY BE DETERMINED; DAMAGE OR LOSS CAUSED BY ACCIDENT, MISUSE, ABUSE, NEGLIGENCE, PRODUCT MODIFICATION, FAILURE TO FOLLOW INSTRUCTIONS IN INSTRUCTION MANUAL, COMMERCIAL OR INDUSTRIAL USE; DAMAGE OR LOSS CAUSED TO THE DECORATIVE SURFACE OF PRODUCT; TO ANY DATA, SOFTWARE OR INFORMATION; AND NORMAL WEAR AND TEAR. THIS WARRANTY ONLY PROTECTS THE ORIGINAL END-USER ("YOU") AND IS NOT TRANSFERABLE; ANY ATTEMPT TO TRANSFER THIS WARRANTY SHALL MAKE IT IMMEDIATELY VOID. THIS WARRANTY IS ONLY VALID IN THE COUNTRY OF PURCHASE.

THIS WARRANTY AND REMEDIES SET FORTH ABOVE ARE EXCLUSIVE AND IN LIEU OF ALL OTHER WARRANTIES, REMEDIES AND CONDITIONS, WHETHER ORAL OR WRITTEN, EXPRESS OR IMPLIED. FURRION SPECIFICALLY DISCLAIMS ANY AND ALL IMPLIED WARRANTIES, INCLUDING, WITHOUT LIMITATION, WARRANTIES OF MERCHANTABILITY AND FITNESS FOR A PARTICULAR

Warranty

PURPOSE. IF FURRIION CANNOT LAWFULLY DISCLAIM IMPLIED WARRANTIES UNDER THIS LIMITED WARRANTY, ALL SUCH WARRANTIES, INCLUDING WARRANTIES OF MERCHANTABILITY AND FITNESS FOR A PARTICULAR PURPOSE ARE LIMITED IN DURATION TO THE DURATION OF THIS WARRANTY.

No Furrion reseller, agent, or employee is authorized to make any modification, extension, or addition to this warranty.

FURRIION IS NOT RESPONSIBLE FOR DIRECT, INDIRECT, SPECIAL, INCIDENTAL OR CONSEQUENTIAL DAMAGES RESULTING FROM ANY BREACH OF WARRANTY OR CONDITION, OR UNDER ANY OTHER LEGAL THEORY, INCLUDING BUT NOT LIMITED TO LOST PROFITS, DOWNTIME, GOODWILL, DAMAGE TO OR REPLACEMENT OF ANY EQUIPMENT OR PROPERTY, ANY COSTS OF RECOVERING, REPROGRAMMING, OR REPRODUCING ANY PROGRAM OR DATA STORED IN OR USED WITH FURRIION PRODUCTS. FURRIION'S TOTAL LIABILITY IS LIMITED TO THE REPAIR OR REPLACEMENT OF THIS PRODUCT PURSUANT TO THE TERMS OF THIS WARRANTY.

Warranty

SOME STATES DO NOT ALLOW THE EXCLUSION OR LIMITATION OF INCIDENTAL OR CONSEQUENTIAL DAMAGES OR EXCLUSIONS OR LIMITATIONS ON THE DURATION OF IMPLIED WARRANTIES OR CONDITIONS, SO THE ABOVE LIMITATIONS OR EXCLUSIONS MAY NOT APPLY TO YOU. THIS WARRANTY GIVES YOU SPECIFIC LEGAL RIGHTS, AND YOU MAY ALSO HAVE OTHER RIGHTS THAT VARY BY STATE OR (WHERE APPLICABLE IN THE COUNTRIES WHERE FURRION HAS NON-US/CANADIAN AUTHORIZED DEALERS) COUNTRY. NO ACTION OR CLAIM TO ENFORCE THIS WARRANTY SHALL BE COMMENCED AFTER THE EXPIRATION OF THE WARRANTY PERIOD.

Keep your receipt, delivery slip, or other appropriate payment record to establish the warranty period. Service under this warranty must be obtained by contacting Furrion at **warranty@furrion.com**

Product features or specifications as described or illustrated are subject to change without notice.



The contents of this manual are proprietary and copyright protected by Lippert. Lippert prohibits the copying or dissemination of portions of this manual unless prior written consent from an authorized Lippert representative has been provided. Any unauthorized use shall void any applicable warranty. The information contained in this manual is subject to change without notice and at the sole discretion of Lippert. Revised editions are available for free download from lippert.com.

Please recycle all obsolete materials.

For all concerns or questions, please contact Lippert

Ph: 432-LIPPERT (432-547-7378) | Web: lippert.com | Email: customerservice@lci1.com