

## **15.6 CU.FT. FURRION ARCTIC 12 VOLT SIDE BY SIDE RESIDENTIAL STYLE REFRIGERATOR**

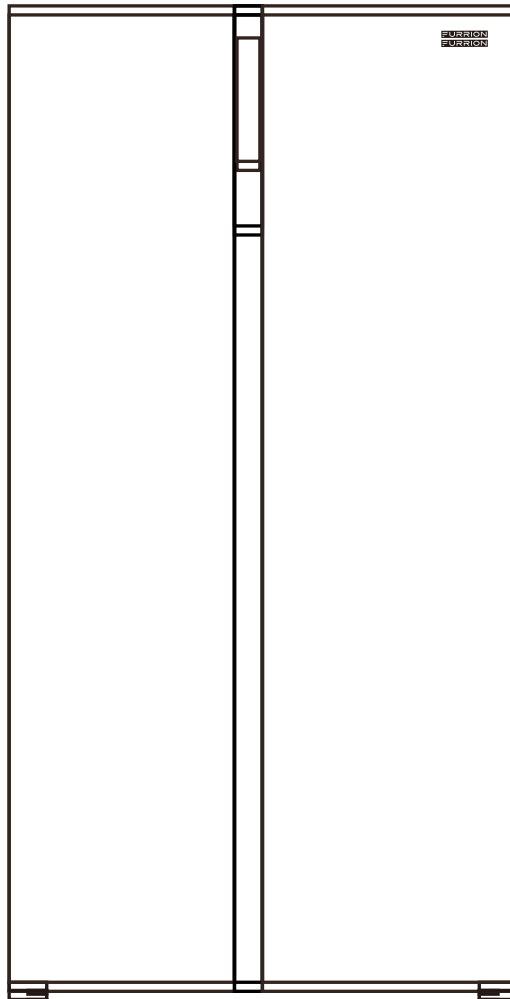
## **15,6 PI3 FURRION ARCTIC 12 VOLT CÔTE À CÔTE RÉFRIGÉRATEUR DE STYLE RÉSIDENTIEL**

## **15,6 PIES CÚBICOS REFRIGERADOR RESIDENCIAL DE DOS PUERTAS DE 12 VOLTIOS FURRION ARCTIC**

MODEL/MODÈLE/MODELO (LIPPERT NO./N° LIPPERT/LIPPERT N.º)  
FCR16DCASA-BG (2021123815)  
FCR16DCASA-SS (2021123827)

---

USER MANUAL/MANUEL DE L'UTILISATEUR/MANUAL DE USUARIO



\* Picture shown here is for reference only.  
\* L'image présentée ici n'est qu'une référence.  
\* La imagen que se muestra es solo como referencia.

Thank you and congratulations for purchasing this Furrion product. Before operating your new product, please read these instructions carefully. This instruction manual contains information for safe use, installation and maintenance of the product. Please keep this instruction manual in a safe place for future reference. This will ensure safe use and reduce the risk of injury. Be sure to pass on this manual to new owners of this product.

The manufacturer does not accept responsibility for any damages due to not observing these instructions.

# Table of Contents

<b>Table of Contents</b> .....	<b>1</b>
<b>Explanation of Symbols</b> .....	<b>2</b>
<b>Important Safety Instructions</b> .....	<b>2</b>
General Safety .....	2
Refrigerant .....	2
Daily Use .....	2
Installation .....	3
Service .....	3
In Case of Malfunction .....	3
Remove Transport Packaging .....	3
Correct Disposal of this product .....	3
<b>Product Overview</b> .....	<b>4</b>
<b>Installation</b> .....	<b>4</b>
What's in the Box .....	4
Before First Use .....	4
Specification .....	5
Site Preparation .....	5
Securing the Refrigerator .....	6
<b>Operation</b> .....	<b>7</b>
Control Panel .....	7
Function Selection .....	7
Controls .....	8
Food Storage .....	8
Accessories .....	10
<b>Cleaning and Maintenance</b> .....	<b>11</b>
Exterior Cleaning .....	11
Interior Cleaning .....	11
Tips for Storage of Frozen Food .....	11
Tips for Refrigeration .....	12
Traveling .....	12
At Power Failure .....	12
Energy Saving Tips .....	12
<b>Troubleshooting</b> .....	<b>13</b>
Normal Phenomena .....	13
Troubleshooting .....	14
<b>Specification</b> .....	<b>14</b>

# Explanation of Symbols

This manual has safety information and instructions to help you eliminate or reduce the risk of accidents and injuries. Always respect all safety warnings identified with these symbols. A signal word will identify safety messages and property damage messages, and will indicate the degree or level of hazard seriousness.

## DANGER

Indicates an imminently hazardous situation which, if not avoided, will result in death or serious injury.

## WARNING

Indicates a potentially hazardous situation which, if not avoided, could result in death or serious injury.

## CAUTION

Indicates a potentially hazardous situation which, if not avoided, may result in minor or moderate personal injury, or property damage.

English

# Important Safety Instructions

## General Safety

### WARNING

- This appliance is intended to be used in household and similar applications such as:
  - Residential, mobile and recreational living homes.
  - Staff kitchen areas in shops, offices and other working environments;
  - Farm houses and by clients in hotels, motels and other residential type environments;
  - Bed and breakfast type environments;
  - Catering and similar non-retail applications.
- Do not store explosive substances such as aerosol cans with a flammable propellant in this appliance.
- If the supply cord is damaged, it must be replaced by the manufacturer, its service agent or similarly qualified persons in order to avoid a hazard.
- Keep ventilation openings, in the appliance enclosure or in the built-in structure, clear of obstruction.
- Do not use mechanical devices or other means to accelerate the defrosting process, other than those recommended by the manufacturer.
- Do not damage the refrigerant circuit.
- Do not use electrical appliances inside the food storage compartments of the appliance, unless they are of the type recommended by the manufacturer.
- The refrigerant and insulation blowing gas are flammable. When disposing of the appliance, do so only at an authorized waste disposal center. Do not expose to flame.
- When positioning the appliance, ensure the supply cord is not trapped or damaged.
- Do not locate multiple portable socket-outlets or portable power supplies at the rear of the appliance.
- To avoid a hazard due to instability of the appliance, it must be fixed in accordance with the instructions.

## Refrigerant

### DANGER

#### RISK OF FIRE OR EXPLOSION

- Flammable refrigerant used. Do not use mechanical devices to defrost refrigerator. Do not puncture refrigerant tubing.
- Flammable refrigerant used. To be repaired only by trained service personnel. Do not puncture refrigerant tubing.

### CAUTION

#### RISK OF FIRE OR EXPLOSION

- Flammable refrigerant used. Consult repair manual/owner's guide before attempting to service this product. All safety precautions must be followed.
- Dispose of property in accordance with federal or local regulations. Flammable refrigerant used.
- Risk of fire or explosion due to puncture of refrigerant tubing; Follow handling instructions carefully. Flammable refrigerant used.

The refrigerant isobutane (R600a) is contained within the refrigerant circuit of the appliance, a natural gas with a high level of environmental compatibility, which is nevertheless flammable.



Risk of Fire

- During transportation and installation of the appliance, be certain that none of the components of the refrigerant circuit become damaged.
- If the refrigerant circuit should become damaged:
  - Avoid open flames and sources of ignition;
  - Thoroughly ventilate the room in which the appliance is situated.

## Daily Use

- This appliance is not intended for use by persons (including children) with reduced physical, sensory or mental capabilities, or lack of experience and knowledge, unless they have been given supervision or instruction concerning use of the appliance by a person responsible

for their safety.

- Do not store flammable gas or liquids in the appliance as there is a risk of an explosion.
- Do not operate any electrical appliances in the appliance (e.g. electric ice cream makers, mixers etc.).
- Do not place hot items near the plastic components of this appliance.
- Do not place food products directly against the air outlet on the rear wall.
- Store prepacked frozen food in accordance with the frozen food manufacturer's instructions.
- The appliance manufacturers storage recommendations should be strictly adhered to. Refer to relevant instructions for storage.
- Do not place carbonated or fizzy drinks in the freezer compartment as it creates pressure in the container, which may cause it to explode, resulting in damage to the appliance.
- Frozen food can cause frost burns if consumed straight from the freezer compartment.
- Do not place the appliance in direct sunlight.
- Keep burning candles, lamps and other items with naked flames away from the appliance as not to set the appliance on fire.
- The appliance is intended for keeping food stuff and/or beverages in normal household as explained in this instruction booklet.
- The appliance is heavy. Care should be taken when moving it.
- Do not remove or touch items from the freezer compartment if your hands are damp/wet, as this could cause skin abrasions or frost/freezer burns.
- Never use the base, drawers, doors etc. to stand on or as supports.
- Frozen food must not be refrozen once it has been thawed out.
- Do not consume ice Popsicles or ice cubes straight from the freezer as this can cause freezer burn to the mouth and lips.
- To avoid items falling and causing injury or damage to the appliance, do not overload the door racks or put too much food in the crisper drawers.
- Never cover or obstruct the ventilation slots on the appliance.

## Installation

- For electrical connection carefully follow the instructions given in this manual.
- Unpack the appliance and check if there are damages on it. Do not connect the appliance if it is damaged. Report possible damages immediately to the place you bought it. In this case retain packing.
- It is advisable to wait at least four hours before connecting the appliance to allow the oil to flow back in the compressor.
- Adequate air circulation should be around the appliance, lacking this leads to overheating. To achieve sufficient ventilation, follow the instructions relevant to installation. Wherever possible the back of the product should not be too close to a wall to avoid touching or catching warm parts (compressor, condenser) to prevent the risk of a fire, follow the instructions relevant to installation.
- The appliance must not be located close to radiators or cookers.

## Service

- Any electrical work required to do the servicing of the appliance should be carried out by qualified electrician or competent person.
- This product must be serviced by an authorized Service Centre, and only genuine spare parts must be used.

## In Case of Malfunction

- If a malfunction occurs on the appliance, please look first in the "Troubleshooting" section of these instructions. If the information given there does not help, please do not perform any further repairs yourself.
- Under no circumstance should you attempt to repair the appliance yourself. Repairs carried out by inexperienced persons may cause injury or serious malfunctioning.

## Remove Transport Packaging

The appliance and the interior fittings are protected for transportation. Pull off the adhesive tape on the left and right side of the door. You can remove any remnants of adhesive using mineral spirit. Remove all adhesive tape and packing pieces from the interior of the appliance.

## Correct Disposal of this product

### **WARNING**

#### **RISK OF CHILD ENTRAPMENT**

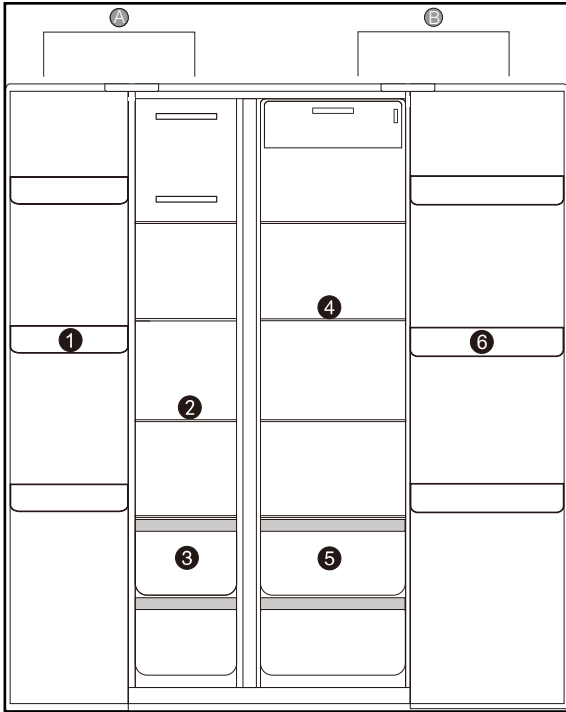
Before you throw away your old refrigerator or freezer:

- Take off the doors
- Leave the shelves in place so that children may not easily climb inside.

To prevent possible harm to the environment or human health from uncontrolled waste disposal, recycle it responsibly to promote the sustainable reuse of material resources. To return your used device, please use the return and collection systems or contact the retailer where the product was purchased. They can take this product for environmental safe recycling.

- Redundant appliances should not be disposed of with normal household waste but delivered to a collection and recycling center for electronic equipment. A symbol shown on the product, the instruction manual or the packaging shows that it is suitable for recycling.
- Materials used inside the appliance are recyclable and are labeled with information concerning this. By recycling materials or other parts from used devices, you are making a significant contribution to the protection of our environment. Information on appropriate disposal centers for used devices can be provided by your local authority.
- The packaging for this appliance is only necessary to provide effective protection during transport. These materials can be recycled where possible.

# Product Overview



Item	Description
A	Freezer Compartment
1	Freezer Door Tray
2	Freezer Glass Shelves
3	Freezer Drawer
B	Refrigerator Compartment
4	Refrigerator Glass Shelves
5	Refrigerator Drawer
6	Refrigerator Door Tray

English

## NOTE:

- Due to possible update of product from time to time, your refrigerator may be slightly different from this User Manual, but its function and operation remain the same.
- To get the best energy efficiency of this product, please place all shelves, drawer and baskets on their original position as the User Manual indicates.

# Installation

## ⚠ WARNING

Before installing, read the instruction carefully for your safety and correct operation of the appliance.

## ⚠ CAUTION

To avoid personal injury or damages at least 2 people are required for the installation.

## What's in the Box

Make sure you have all the following items included in the packaging. If any item is damaged or missing, contact your dealer.

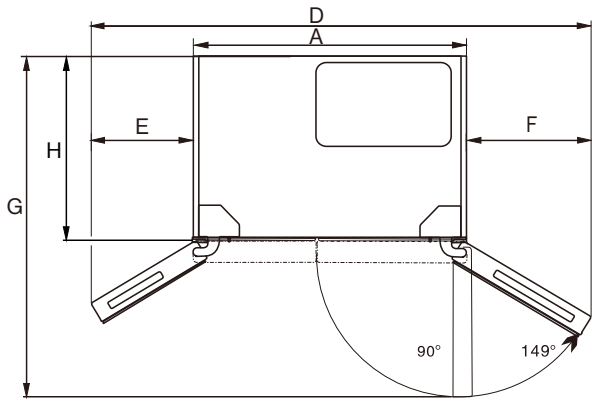
- Refrigerator x 1
- User Manual x 1
- Warranty Manual x 1

Installation and service must be performed by a recommended installer, service agency or electric supplier.

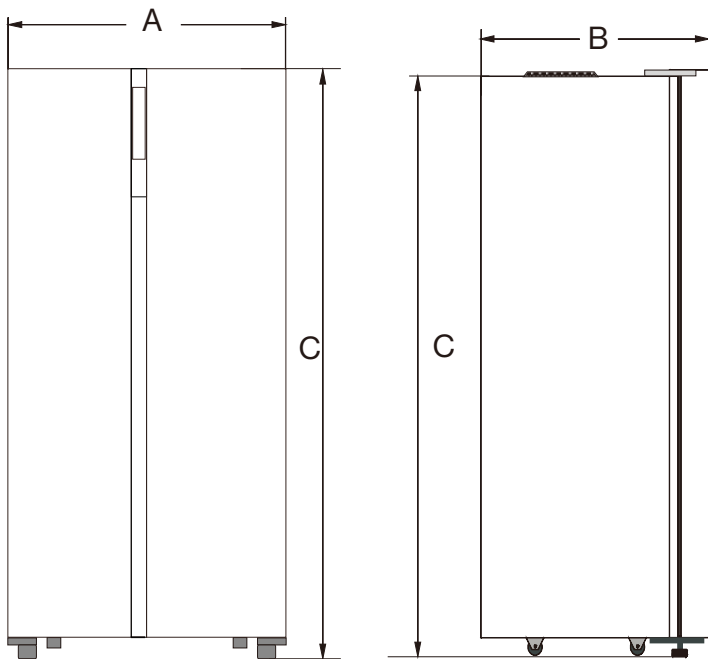
## Before First Use

- Remove all packaging, including the foam backing at the bottom of refrigerator and the tapes fixing accessories in the box.
- Place the refrigerator in a proper up-right position, let it stand up-right for at least 4 hours before powering on.
- Remove the film: There is a layer of transparent film on the panel surface to protect it from being scratched. You can choose to remove or leave the film as needed.
- Review product specifications below to plan for proper clearances in and around the enclosure.

## Specification



Top View



Front View

Side View

Dimension			
A	32" (836mm)	E	12½" (319mm)
B	25" (636mm)	F	13½" (343mm)
C	70" (1780mm)	G	40" (1020mm)
D	59" (1498mm)	H	21⅞" (554mm)

**NOTE:**

- The product must be correctly installed, located and operated in accordance with the instructions contained in the User Manual provided.
- Parameters provided in table are design parameters. Because of the various reasons, there will be a slight deviation between actual dimension and design parameter. The data listed are only for reference.

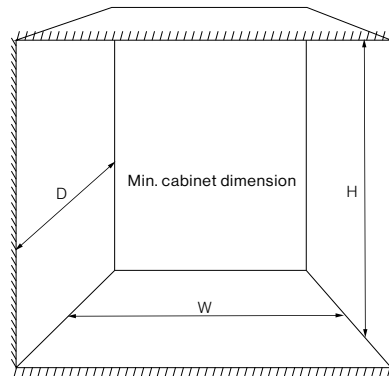
## Site Preparation

### Select Location

- Your new refrigerator must stand on a flat surface which should support a weight of 529Lbs (240kg). Surface must be level relative to the coach floor plane.  
**NOTE:** A slope that is comfortable to live with, and from normal transportation is acceptable.
- If the appliance is to be placed onto the carpet, support it with a wooden board. Do not place the appliance directly on the carpet, as the heat from the compressor may cause the carpet to fade.
- For best and most efficient operation, the refrigerator should operate within 50°F ~ 109°F (10°C ~ 43°C). If installing near large heat sources, such as furnaces, fireplaces, furnaces, etc. Ensure a thermal barrier, such as wood paneling, isolates the refrigerator space as not to hinder performance of the appliance.

### Refrigerator Cabinet/Enclosure Preparation

- Position the appliance away from sources of heat such as stoves, radiators, direct sunlight, direct weather such as rain, etc.



W	Min. 33⅞" (861mm)
H	Min. 71" (1805mm)
D	Min. 24¾" (630mm)

**NOTE:** Dimensions include the required clearance for venting.

### Electrical Connection

#### ⚠ WARNING

Any electrical work required to install this appliance should be carried out by a qualified or competent person.

All Furrion products referenced in this manual is to be installed in accordance with local and national codes, including the latest editions of the following standards:

**USA:**

- NFPA 1192
- NFPA 70
- ANSI/RVIA low Voltage

**Canada:**

- C22.1
- CSA Z240

The appliance is powered by Nominal DC 12V and must be supplied at SAFETY EXTRA-LOW VOLTAGE circuit, a listed power converter that conforms to UL 458 and/or C22.2 No. 107.1 is required.

### Circuit Wiring Based on Voltage Drop:

Circuit wiring, gauge (AWG), length, and routing is to be determined by the installer. It must not exceed a voltage drop at the appliance of more than 0.4V DC.

#### To Measure:

Start the appliance from warm, isolate and measure the voltage difference between each DC 12V power source(s) and the appliance connection. If the Voltage drop exceeds 0.4V DC, the length of wire should be shortened, and/or Wire gauge (AWG) increased.

**Circuit Rating:** Min 20Amp, Max 40Amp. Do not share circuit with any other utilization equipment.

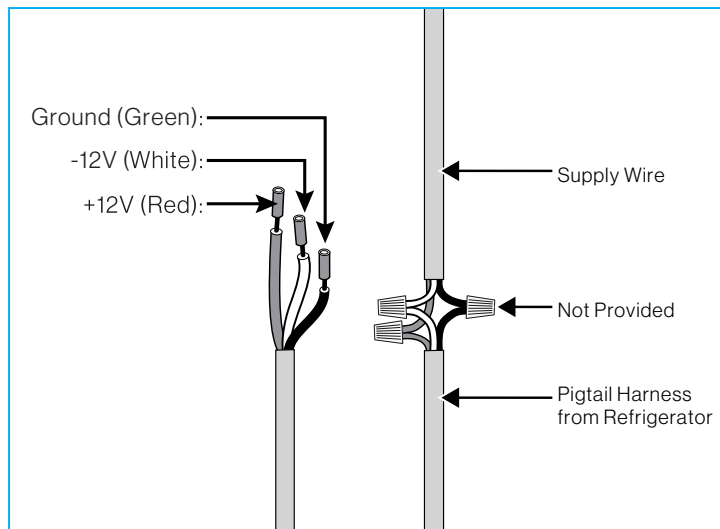
**NOTE:** The circuit must be fused appropriately for the wire gauge (AWG) used, within 18" of the DC 12V power source. Only a single blow fuse or manual resettable breaker is allowed, auto-resetting breakers must not be used. Do not add an additional fuse to the pigtail end of the appliance.

The following is a starting guideline for wire sizing and should be adjusted based on actual voltage drop:

- 15ft or less = 10AWG
- 15ft to 25ft = 8AWG
- 25ft to 40ft = 6AWG

#### Installation TIPS:

- Voltage drop can be reduced by terminating the -12V (white) lead directly to the vehicle chassis.
- -12V (white) and Ground (Green) leads can be combined at the appliance or individually terminated.



- Enter supply wire into the cabinet space. It is acceptable to enter through the cabinet floor, sidewall, backwall or ceiling. Ensure that the wire enters within the free cabinet space behind the refrigerator.
- Furrion recommends dropping the 12V supply wire from the upper ceiling or upper rear wall. Temporarily affix the wires to the upper half of the appliance with tape so that excess wire will droop without risk of rubbing with the appliance chassis and floor during installation.

### Drainage Preparation

The cavity condensate drainage is captured in a drain pan integrated with the unit. No external drainage needs to be prepared at this point.

### Securing the Refrigerator

#### ⚠ WARNING

##### FIRE AND ELECTRICAL SHOCK HAZARD

- The appliance contains hidden refrigerant lines and electrical wiring. Follow all guidance in this section to prevent death, injury or property damage.

For mobile applications, it is imperative to determine a sufficient securing method to prevent sliding and tipping of the appliance during transportation. Furrion is not providing sufficient mounting methods, but providing guidelines to consider when evaluating.

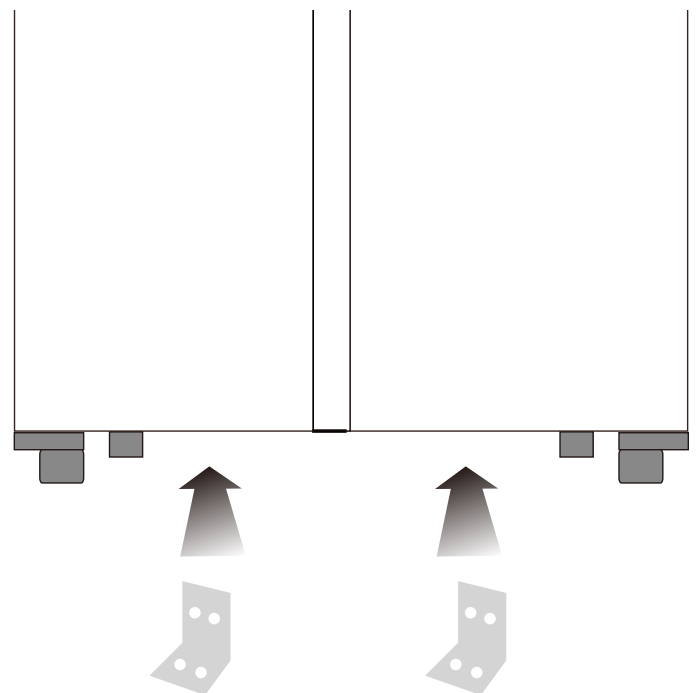
### Body Mounting

#### ⚠ WARNING

##### FIRE AND ELECTRICAL SHOCK HAZARD

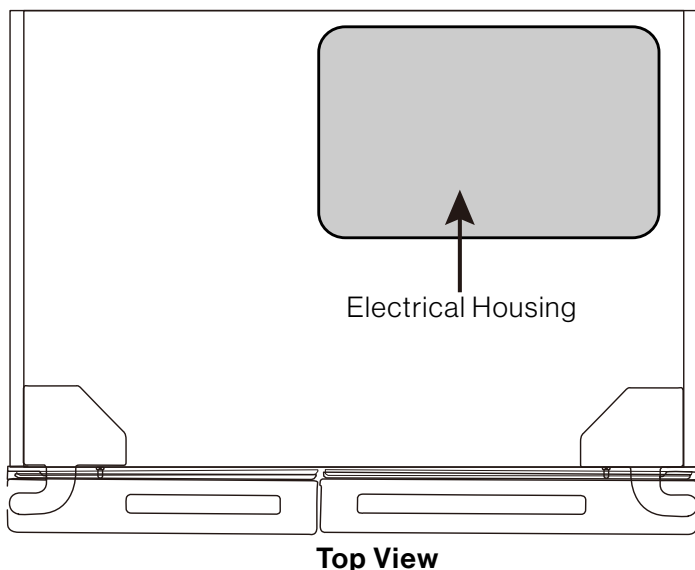
DO NOT pierce screws into any surface of the refrigerator as there is a risk of refrigeration leak or electrical shock hazard.

It is acceptable to use brackets to mount to the body's front frame of the fridge and the floor to hold the fridge in place.



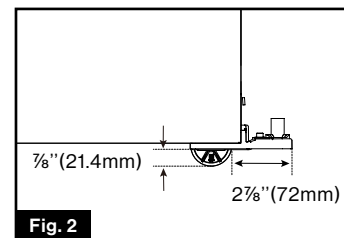
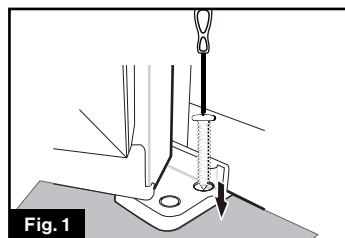
## Top Restraints

- If restraints are used to mount or contact the top surface of the appliance, avoid contact with the gray plastic electrical cover to prevent damage. (Fig. 3)



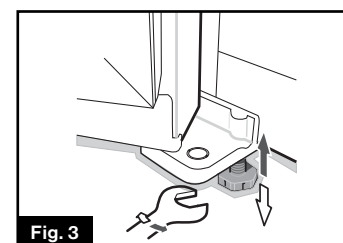
## Hinge Mounting

If using the hinge as a securing method (Fig. 1), support the bottom of the hinge with a wood trim/block to prevent bending/damage to the hinge. The wood block can also be used to choke the wheel from moving. (Fig. 2).



## Levelling (Optional)

Screw the leveling feet into the bottom hinges in appropriate depth until the refrigerator is leveled. (Fig. 3)



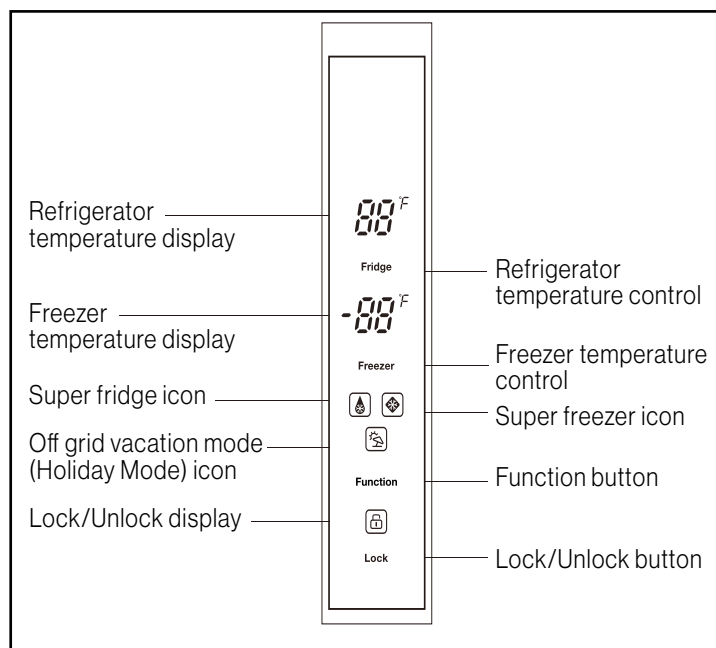
# Operation

## Control Panel

- All functions and controls of the unit are accessible from a control panel conveniently located on the front of the door. A display circuit board allows easy configuration of features and settings in a simple and intuitive manner.
- The display board consists of four buttons. You will hear a short beep when you press the buttons.
- To ensure the normal operation of the refrigerator, we recommend that when you start your refrigerator for the first time, set the temperature of the refrigerator compartment to 41 °F and the freezer compartment to 0 °F.
- However, the exact setting should be chosen keeping in mind that the temperature inside is dependent on:
  - Room temperature
  - How often the door is opened
  - Quantity of food stored
  - Appliance location

### NOTE:

- When the refrigerator starts up, it is in the default mode of Energy Saving, which is to save energy and prolong the service life of LED lights. The screen illuminates for 20s and then goes off.



## Function Selection

Press **Function** button to select operating mode following the sequence of **Off Grid Vacation Mode (Holiday Mode) > Super Freezer Mode > Super Fridge Mode**. Stop cycling on desired setting to select mode. And the corresponding mode icon will illuminate.

## On/Off

- Long press **Function** button for 5 seconds to turn the refrigerator's LOW POWER mode on/off.
- Temperature display illuminates with --, long press **Function** button for 5 seconds to turn refrigerator back on.

## Off Grid Vacation Mode (Holiday Mode)

In this mode, the refrigerator runs at 43 °F and the freezer runs at 5 °F.

Setting this mode can help conserve energy after disconnecting from shore power, and using only DC 12V power source and solar power sources. Limit the frequency of door openings, and length of time open. Sensitive foods should be consumed more quickly, and stored toward the rear of the fridge to maintain freshness.

### To optimize DC 12V power source runtime performance:

- Ensure the refrigerator and food stored is down to desired temperature before disconnecting shore power.
- Avoid adding significant amounts of warm items, especially beverages, at one time unless already cooled.
- Adding new items is best in the morning to utilize solar power (if available) during the day to bring the temperature back down without consuming DC 12V power source capacity.

## Super Freezer Mode

When the Super Freezer Mode is selected, the compressor will operate continuously to freeze foods faster, and keep them fresh. The super freezer mode will automatically turn off either after 24 hours of operation or when the freezer sensor reaches -18°F. The super freezer icon will turn off, and the freezer will continue to operate at the last temperature setting you have set before.

## Super Fridge Mode

When the super fridge mode is selected, the fridge compartment reaches the set temperature in the shortest period, in order to keep the food as fresh as possible. In this mode, the set temperature of the fridge compartment locks on 32°F. The program runs 150mins then exits automatically, the super fridge icon goes out, which means the super fridge function is disabled, the temperature setting returns to the last one before the super fridge mode operates.

## Controls

### Fridge Settings

You can change the temperature or settings of the refrigerator compartment by pressing the **"Fridge"** icon under the temperature display.

The default temperature of the refrigerator compartment is 41°F. To change the temperature press the **"Fridge"** button to cycle through the set temperatures: 41°F > 39°F > 38°F > 36°F > 34°F > 32°F > 43°F.

Stop cycling when the desired setting is selected.

### Freezer Settings

You can change the temperature or settings of the freezer compartment by pressing the text **'Freezer'** under the temperature display.

The default temperature of the refrigerator compartment is 0°F. To change the temperature press the **"Freezer"** button to cycle through the set temperatures: 0°F > -2°F > -4°F > -6°F > -8°F > -10°F > 5°F > 4°F > 2°F.

Stop cycling when the desired setting is selected.

### Lock/Unlock

- This refrigerator is able to lock the control panel to stop accidental operation.
- All buttons are locked if you press the **Lock/Unlock** button.
- The lock icon is illuminated when the control panel is locked.
- Hold the **Lock/Unlock** button for 3 seconds to Unlock. And the lock icon is no longer displayed.

### Open Door Alarm

When the refrigerator door is left open for more than 1 minute a buzzer will alarm to remind you the door is open. After the door is closed, the alarm sound will stop automatically.

## Food Storage

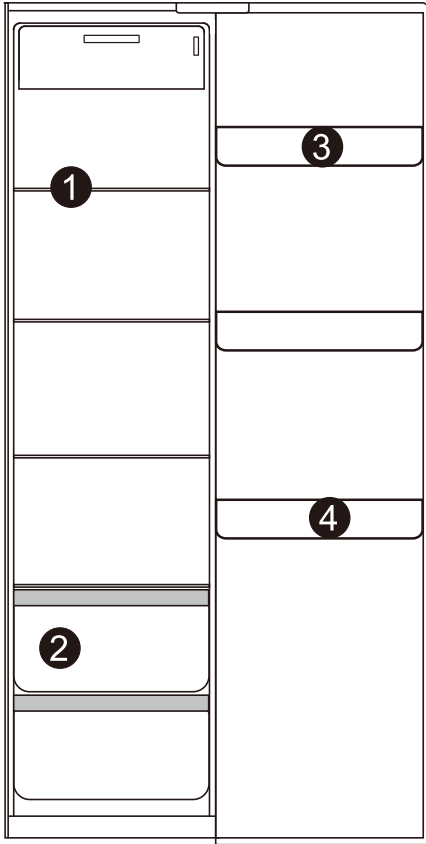
### IMPORTANT!

- When storing freezing foods, put them to the inside of freezer chamber, other than the bottle rack.
- Do not put bottled or canned foods into the freezer chamber to prevent frost cracking.
- Before putting hot foods into the refrigerator, cool them down to room temperature first; otherwise, power consumption will increase.
- Mark the freezing date on the packaging bag according to different storage lives of foods, so as to prevent foods from exceeding the freezing time limit.
- Divide foods into proper pieces and package them separately so as to freeze thoroughly and avoid being frozen together.
- The packaging materials shall be odorless, airtight, watertight and pollution-free, so packaged foods are not tainted by other odor and without quality reduction.
- Do not put too many fresh foods into the freezing chamber at once, preferably not exceeding the freezing capacity value of refrigerator.
- Melted foods cannot be frozen again, unless they are made into dishes; otherwise, their appearance will be affected.
- Glass bottles or containers shall not be placed into the freezer chamber or at the air outlet of fridge chamber duct, otherwise they may explode.
- Foods cannot block the air outlet, otherwise abnormal air circulation will be caused.

## Refrigerator Chamber

The refrigerator chamber is mainly used to store foods that are preserved for a short time.

The refrigerator chamber is suitable for storing fruits, vegetables, drinks and other foods that will be consumed in a short period of time. It is suggested to seal foods into a container and then put them into the refrigerator.



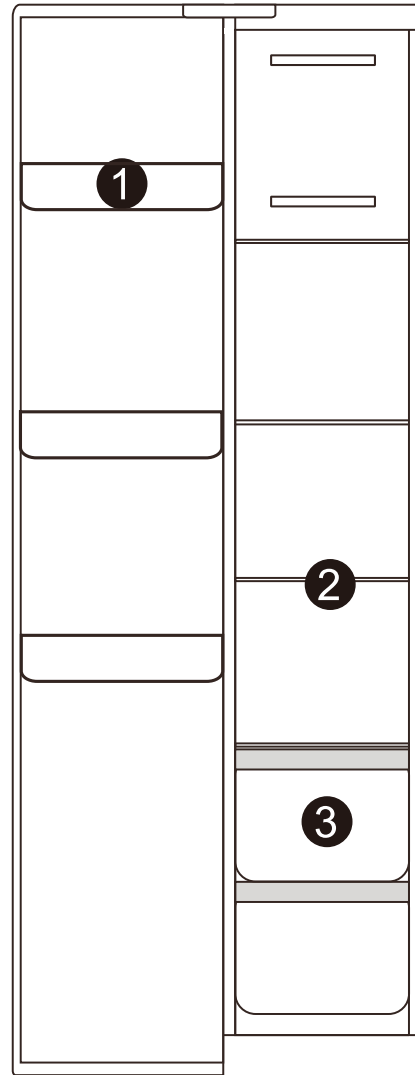
Item	Description	
①	Glass Shelves	Drinks, Wheaten Foods, Milk, etc.
②	Drawer	Fruits, Vegetables, etc.
③	Top Tray	Dairy Products, Odorous Foods, etc.
④	Bottle Rack	Thin Packaged Foods, etc.

## Freezer Chamber

The freezer chamber is used to freeze foods, store deeply frozen foods and make ice cubes.

It can preserve foods for a long time.

The freezing chamber is suitable for retaining the freshness of foods for a long time. When storing meat, it is suggested to cut the meat into pieces which are easy to take out, and mark the freezing date to prevent foods from exceeding the time limit.



Item	Description	
①	Upper Bottle Rack	Small frozen articles
②	Glass Shelf	Frozen foods such as fish, meat & ice cream
③	Drawer	Packaged Frozen Foods, etc.

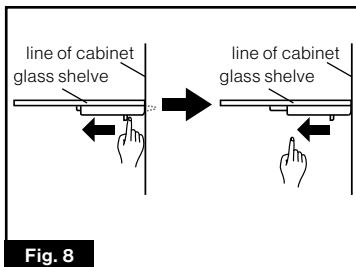
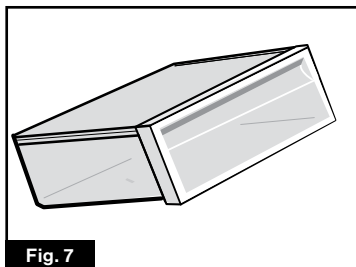
## Accessories

### Fruit & Vegetable Box

The refrigerator chamber has a fruit and vegetable box, which can retain the moisture of fruits and vegetables and keep the humidity of the box properly. It is suitable for storing fruits and vegetables. (Fig. 7)

### Glass Shelves

When removing shelving press the movable pin under the shelf with both hands and push inward at the same time. Then the glass shelf will be removed. (Fig. 8)



### Bottle Shelves

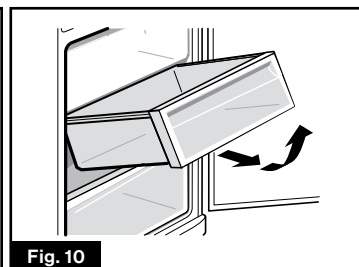
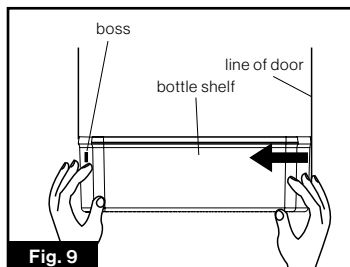
**Disassembly:** Hold both sides of the bottle shelf with both hands. Push it from the side without the boss and push it inward as the direction of the arrow. When pushing hard, please note that the buckle on the edge of bottle shelf is

separated from the groove of the liner. Then bottle shelf can be removed.

**Installation:** Hold both sides of the bottle shelf with both hands. Install the buckle of the boss side at first. Then push the other side inward slightly, the buckle can be fixed. (Fig. 9)

### Drawer of the Freezer Chamber

The upper drawer of freezer chamber can freeze and store large volume foods, and the lower drawer is mainly used to store frozen foods. (Fig. 10)



## ⚠ CAUTION

To avoid damage of the liner, clean the fridge immediately when food or liquids spills over. Oily liquids / food, like a soup can lead to cracks or corrosion in the liner.

# Cleaning and Maintenance

## ⚠ DANGER

### ELECTRIC SHOCK!

Always disconnect power before cleaning or maintenance

- Do not clean the appliance with metal objects, steam cleaner, ethereal oils, organic solvents or abrasive cleansers.
- Do not use sharp objects to remove frost from the appliance.
- Use a plastic scraper.

## Exterior Cleaning

## ⚠ CAUTION

Don't use Thinner, Car detergent, Clorox, ethereal oil, abrasive cleansers or organic solvent such as Benzene for cleaning as they may damage the surface of the appliance and may cause fire.

To maintain good appearance of your appliance, you should clean it regularly.

Wipe the digital panel and display panel with a clean, soft cloth.

Spray water onto the cleaning cloth instead of spraying directly on the surface of the appliance. This helps ensure an even distribution of moisture to the surface.

Clean the doors and cabinet surfaces with a mild detergent and then wipe dry with a soft cloth.

### IMPORTANT!

- Remove the food from the appliance before cleaning. Store them in a cool place and well covered.
- Never clean the appliance with a steam cleaner. Moisture could accumulate in electrical components.

## Interior Cleaning

You should clean the appliance interior regularly. Follow the below steps:

- Remove all food.
- Wipe the inside of the fridge freezer with a weak solution of baking soda, and then rinse with warm water using a wrung-out sponge or cloth.
- Wipe completely dry before replacing the shelves and baskets. Thoroughly dry all surface and removable parts.

Although this appliance automatically defrosts, a layer of frost may occur on the freezer compartment's interior walls if the freezer door is opened frequently or kept open too long.

If the frost is too thick proceed as follows:

- Remove existing food and accessories baskets, switch off the power supply of the refrigerator and leave the doors open.
- Ventilate the room thoroughly to accelerate the thawing process.
- When defrosting is completed, clean your freezer as described above.

## ⚠ CAUTION

Only after the interior is completely dry the appliance should be switched back on.

## Defrosting

This appliance has an automatic defrosting function without manual operation.

## Door Seals Cleaning

Take care to keep door seals clean. Sticky food and drinks can cause seals to stick to the cabinet and tear when you open the door.

Wash seals with a mild detergent and warm water.

Rinse and dry it thoroughly after cleaning.

**NOTE:** Only after the door seals are completely dry the appliance should be powered on.

## Tips for Storage of Frozen Food

To obtain the best performance from this appliance, you should:

- Be sure that frozen foods are transferred from the food store to the freezer in the shortest possible time.
- Do not open the door frequently or leave it open longer than absolutely necessary.
- Once defrosted, food deteriorate rapidly and cannot be re-frozen.
- Do not exceed the storage period indicated by the food manufacturer.
- Hot vapours can lead to the damage of plastic parts.
- Ethereal oils and organic solvents can attack plastic parts, e.g. lemon juice or the juice from orange peel, butyric acid, a cleanser that contain acetic acid. Do not allow such substances to come into contact with appliance parts.
- Do not use any abrasive cleansers.
- Clean the appliance and the interior accessories with a cloth and lukewarm water. Commercially available dishwashing detergents may also be used.
- After cleaning wipe with fresh water and clean dishcloth.
- Check the water drain hole on the rear wall of the refrigerator compartment. Clear a blocked drain hole with the aid of something like a soft green peg, take care not to damage the cabinet.
- After everything is dry place appliance back into service.

## Tips for Refrigeration

- Meat (all types): wrap in polyethylene (plastic) bags and place on the glass shelf above the vegetable drawer. To avoid food poisoning or contamination store meats properly wrapped for one or two days only.
- Cooked foods, cold dishes; these should be covered and may be placed on any shelf.
- Fruit and vegetables: thoroughly cleaned and placed in the special drawer provided.
- Dairy: placed in aluminum foil or polyethylene (plastic) bags while removing as much air as possible.
- Milk bottles: capped and stored in the bottle rack on the door.

## Traveling

Your refrigerator is designed to operate during normal transportation of your coach. Please refer to the following guidelines to assist during transportation.

- Always travel with the doors closed and ensure will not open during traveling.
- Avoid traveling with food in the cavity. Wait until you have arrived to your destination and remove any remaining food before departing.
- Turn refrigerator to "OFF" (LOW POWER MODE) if climbing/crawling any off-road grades. Compressor oil should resettle within 2 hours.
- Ensure the refrigerator has reached a desired stable temperature before departing for your trip. Avoid storing temperature sensitive items in the refrigerator while you are traveling unless a DC12V power source power source is available. During towing, the refrigerator can be operated as normal, as the tow vehicle should charge the DC12V power source. See Off-grid Vacation Mode for conserving power.
- Once you arrive at your destination, use the refrigerator as instructed in this manual.

## STORAGE / WINTERIZATION

- A DC12V power source maintainer should be used for long storage, to keep a full charge.
- If the appliance is in storage, and not intended to be in operation, disconnect power, clean the inside thoroughly, and leave the doors propped open to avoid abnormal odors from developing.
- To prevent quick discharging of the batteries, the refrigerator can be turned off to enter LOW POWER mode. Both the temperature displays will show "--". Press and hold the **FUNCTION** for 5 seconds to cycle between ON/OFF.
- In LOW POWER mode, the interior lights, compressor and defroster are turned off.

## At Power Failure

- Generally, short-term power failure will not affect the temperature of the refrigerator. However, if power failure lasts for a long time, you shall reduce the opening frequency of refrigerator, and shall not put fresh foods into the refrigerator (prevent rise in the temperature of refrigerator from speeding up).
- If you know power failure is coming, you can turn on the "Super Freezer" function in advance to keep the temperature of refrigerator to the lowest value.

## Shut Down

- Generally, it is not suggested to stop refrigerator or turn off the power switch; otherwise, the lifetime of refrigerator may be affected.

## Energy Saving Tips

- Make sure to keep the refrigerator away from heat sources and direct sunlight.
- Before storing hot foods, cool them down to room temperature and then put them into the refrigerator.
- Close the door timely, reduce the opening frequency, and shorten the opening time.
- When unfreezing frozen foods, you can put them into the refrigerator chamber, which will assist in refrigeration of the refrigerator chamber.
- Make sure that the temperature sensor is not covered or blocked by foods, and keep proper distance with foods.

# Troubleshooting

## ⚠ WARNING

Before troubleshooting, disconnect the power supply.

Repairs to refrigerators/freezers may only be performed by competent service engineers. Improper repairs can give rise to significant hazards for the user. If your appliance needs repairing, please contact your specialist dealer or your local Service Centre.

### IMPORTANT!

When the compressor is being turned on, the refrigerator creates some sounds / noises, like gurgling - this is perfectly normal.

## Normal Phenomena

Phenomena	Solution
<b>Button Failure</b>	Please check the control board whether the fridge is in lock mode. When in Lock mode, all buttons can't work.
<b>Low voltage, the compressor can't start</b>	Charge the RV-batteries by connecting the RV to the shore power.
<b>Long time to start</b>	When the surrounding ambient temperature is high, it will take a while to feel the compartments cooling.
<b>Middle beams feel hot</b>	Middle beams will feel hot if the appliance runs for an extended period of time. This is a normal phenomenon.
<b>Dew drops</b>	When external air flows into the cool inner surface of the fridge, dew drops can be formed. If the humidity of the installed location is high or during the rainy season, dew drops can form on the outer side of the fridge. This is a natural phenomenon that occurs during the humid weather, Wipe the water drops with a dry cloth.
<b>Noise</b>	When you operate the fridge for the first time, the fridge will operate at high speed to cool fast and the sound can seem louder. When the internal temperature falls below a certain level, the noise will subside. When the compressor is starting up, or stopping, various parts may expand or contract. This may generate some audible sounds, noises, which are perfectly normal.
<b>Compressor hot</b>	When working, the temperature of the compressor housing may rise to more than 176 °F - please do not touch the compressor, it may cause serious injury.
<b>Compressor long time running</b>	When the ambient temperature is too high or put too much fresh foods into the fridge, it will take long time to cool down until the appliance runs at the setting temperature.
<b>Light is not working</b>	Contact Manufacturer.
	If door has been left open too long lights will be deactivated. Close & reopen the door to activate.
<b>Both the temperature displays show "--" and interior lights are off</b>	The refrigerator is in Low Power mode. Press and hold the Function button for 5 seconds to exit the Low Power mode.

## Troubleshooting

Before contacting the Furrion Customer Service:

1. Try to solve the problem yourself following the points described in the table below.
2. Turn off the appliance and restart it to see if the fault persists.

Trouble	Possible Cause	Solution
<b>No display on the display panel</b>	Appliance is not switched on	Switch on the appliance.
	RV batteries are empty.	Recharge the DC 12V power source (by connecting RV to the shore power).
	Fuse is blown or defective	Check fuse, replace if necessary.
	DC connecting wires are intermittent / broken	Such malfunctions are to be corrected by an electrician.
<b>Alarm sound</b>	Door is slightly open or not closed for more than 1 minute	Close the door completely.
<b>Compressor doesn't work</b>	Under defrosting mode	Normal for defrosting.
	DC 12V power source voltage is too low or DC 12V power source is too weak.	Charge / replace DC12V power source.
<b>Vibrating noise</b>	Floor is uneven or weak	Be sure the floor is even and solid and can adequately support the fridge.
	Items placed on the top of the fridge are vibrating	Remove items.
	Fridge touches the wall or cabinet	Move fridge so that it does not touch the wall or cabinet.
<b>Layer of Frost in compartment</b>	Blocked air outlets	Check air outlets not blocked, ensure food placed in appliance has sufficient ventilation
<b>Doors can't be closed easily</b>	Blockage	<ul style="list-style-type: none"> <li>• Check nothing internal is trapped in the door.</li> <li>• Tilt the refrigerator back to allow self-closing mechanism</li> </ul>
<b>Light is not working</b>	Damaged LED	Contact Manufacturer
	Control system disabled lights	If door has been left open too long lights will be deactivated. Close & reopen the door to activate

English

## Specification

Specifications	
Total Capacity	15.6 cu. ft. (442L)
Freezer Capacity	6.08 cu. ft. (172L)
Fridge Capacity	9.54 cu. ft. (270L)
Noise (dB)	≤42dB
Door Type	Side by Side
Handle	Recessed Handle
Control Type	LED Display with electronic control
No. of Shelves	6
No. of Crisper	4
Cooling Type	Compression cooling system

Specifications	
Refrigerant	R600a
Rated Voltage	DC 12V
Rated Current	19A (≤ 20A)
Power Consumption	667kWh/year
Off-Grid Rating	5.3Ah @ 77°F (25°C)
Temperature Range	Refrigerator: 32°F to 43°F (0°C to 6°C) adjustable Freezer: -10°F to 5°F (-23°C to -15°C) adjustable
Working Temperature Range	50°F to 110°F (10°C to 43°C)
Defrost	Automatic
Certification	CSA

Merci et félicitations pour l'achat de ce produit Furrion. Avant d'utiliser votre nouveau produit, veuillez lire attentivement ces instructions. Ce manuel d'instructions contient des informations pour une utilisation, une installation et une maintenance sûres du produit. Veuillez conserver ce manuel d'instructions dans un endroit sûr pour toute référence ultérieure. Cela permettra de garantir une utilisation sûre et de réduire les risques de blessures. Veuillez à transmettre ce manuel aux nouveaux propriétaires de ce produit. Le fabricant n'accepte aucune responsabilité pour tout dommage dû au non-respect de ces instructions.

## Table des matières

<b>Table des matières</b> .....	<b>15</b>
<b>Explication des symboles</b> .....	<b>16</b>
<b>Instructions de sécurité importantes</b> .....	<b>16</b>
Sécurité générale .....	16
Réfrigérant .....	16
Utilisation quotidienne .....	16
Installation .....	17
Service .....	17
En cas de dysfonctionnement .....	17
Retirer l'emballage de transport .....	17
Élimination correcte de ce produit .....	17
<b>Aperçu du produit</b> .....	<b>18</b>
<b>Installation</b> .....	<b>18</b>
Contenu de la boîte .....	18
Avant la première utilisation .....	18
Spécification .....	19
Préparation du site .....	19
Fixation du réfrigérateur .....	20
<b>Fonctionnement</b> .....	<b>21</b>
Panneau de contrôle .....	21
Sélection des fonctions .....	21
Contrôles .....	22
Stockage des aliments .....	22
Accessoires .....	24
<b>Nettoyage et entretien</b> .....	<b>25</b>
Nettoyage extérieur .....	25
Nettoyage intérieur .....	25
Conseils pour le stockage des aliments congelés .....	25
Conseils pour la réfrigération .....	26
En voyageant .....	26
En cas de coupure de courant .....	26
Conseils pour économiser l'énergie .....	26
<b>Dépannage</b> .....	<b>27</b>
Phénomènes normaux .....	27
Dépannage .....	28
<b>Spécification</b> .....	<b>28</b>

Français

## Explication des symboles

Ce manuel contient des informations et des instructions de sécurité pour vous aider à éliminer ou à réduire les risques d'accidents et de blessures. Respectez toujours tous les avertissements de sécurité identifiés par ces symboles. Un mot de signalisation identifiera les messages de sécurité et les messages relatifs aux dommages matériels, et indiquera le degré ou le niveau de gravité du danger.

### DANGER

Indique une situation dangereuse imminente qui, si elle n'est pas évitée, entraînera la mort ou des blessures graves.

### AVERTISSEMENT

Indique une situation potentiellement dangereuse qui, si elle n'est pas évitée, peut entraîner la mort ou des blessures graves.

### MISE EN GARDE

Indique une situation potentiellement dangereuse qui, si elle n'est pas évitée, peut entraîner des blessures mineures ou modérées, ou des dommages matériels.

## Instructions de sécurité importantes

### Sécurité générale

#### AVERTISSEMENT

- Cet appareil est destiné à être utilisé dans des applications domestiques et similaires telles que :
  - Maisons résidentielles, mobiles et de loisirs.
  - Les cuisines du personnel dans les magasins, les bureaux et autres environnements de travail;
  - Les maisons de ferme et les clients des hôtels, motels et autres environnements de type résidentiel;
  - Environnements de type « Bed and Breakfast »;
  - Restauration et applications non commerciales similaires.
- Ne stockez pas de substances explosives telles que des bombes aérosol contenant un gaz propulseur inflammable dans cet appareil.
- Si le cordon d'alimentation est endommagé, il doit être remplacé par le fabricant, son agent de service ou des personnes de qualification similaire afin d'éviter tout danger.
- Veillez à ce que les ouvertures de ventilation, dans le boîtier de l'appareil ou dans la structure intégrée, ne soient pas obstruées.
- N'utilisez pas de dispositifs mécaniques ou d'autres moyens pour accélérer le processus de dégivrage, autres que ceux recommandés par le fabricant.
- Ne pas endommager le circuit du réfrigérant.
- N'utilisez pas d'appareils électriques à l'intérieur des compartiments de stockage des aliments de l'appareil, sauf s'ils sont du type recommandé par le fabricant.
- Le réfrigérant et le gaz de soufflage de l'isolation sont inflammables. Lorsque vous mettez l'appareil au rebut, ne le faites que dans un centre de traitement des déchets agréé. Ne pas exposer à la flamme.
- Lorsque vous positionnez l'appareil, assurez-vous que le cordon d'alimentation n'est pas coincé ou endommagé.
- Ne placez pas plusieurs prises de courant ou alimentations portables à l'arrière de l'appareil.
- Pour éviter tout danger dû à l'instabilité de l'appareil, celui-ci doit être fixé conformément aux instructions.

### Réfrigérant

#### DANGER

##### RISQUE D'INCENDIE OU D'EXPLOSION

- Fluide frigorigène inflammable utilisé. N'utilisez pas de dispositifs mécaniques pour dégivrer le réfrigérateur. Ne pas percer le tube de réfrigérant.
- Fluide frigorigène inflammable utilisé. Les réparations doivent être effectuées uniquement par un personnel de service qualifié. Ne pas percer le tube de réfrigérant.

#### MISE EN GARDE

##### RISQUE D'INCENDIE OU D'EXPLOSION

- Fluide frigorigène inflammable utilisé. Consultez le manuel de réparation/le guide de l'utilisateur avant de tenter de réparer ce produit. Toutes les précautions de sécurité doivent être respectées.
- Éliminez les biens conformément à la réglementation fédérale ou locale. Fluide frigorigène inflammable utilisé.
- Risque d'incendie ou d'explosion dû à la perforation de la tubulure du réfrigérant; suivre attentivement les instructions de manipulation. Fluide frigorigène inflammable utilisé.

Le circuit frigorifique de l'appareil contient de l'isobutane (R600a), un gaz naturel très respectueux de l'environnement, mais inflammable.



Risque d'incendie

- Pendant le transport et l'installation de l'appareil, veillez à ce qu'aucun des composants du circuit frigorifique ne soit endommagé.
- Si le circuit de réfrigérant est endommagé :
  - Évitez les flammes nues et les sources d'ignition;
  - Aérez soigneusement la pièce dans laquelle se trouve l'appareil.

### Utilisation quotidienne

- Cet appareil n'est pas destiné à être utilisé par des personnes (y compris les enfants) dont les capacités physiques, sensorielles ou mentales sont réduites, ou qui manquent d'expérience et de connaissances, à moins qu'elles n'aient reçu une surveillance ou des instructions concernant l'utilisation de l'appareil par une personne responsable de leur sécurité.

- Ne stockez pas de gaz ou de liquides inflammables dans l'appareil, car il y a un risque d'explosion.
- Ne faites pas fonctionner d'appareils électriques dans l'appareil (par exemple, sorbetières électriques, mélangeurs, etc.).
- Ne placez pas d'objets chauds à proximité des composants en plastique de cet appareil.
- Ne placez pas de produits alimentaires directement contre la sortie d'air de la paroi arrière.
- Stockez les aliments congelés préemballés conformément aux instructions du fabricant des aliments congelés.
- Les recommandations de stockage du fabricant de l'appareil doivent être strictement respectées. Se référer aux instructions pertinentes pour le stockage.
- Ne placez pas de boissons gazeuses ou pétillantes dans le compartiment congélateur, car cela crée une pression dans le récipient, ce qui peut le faire exploser et endommager l'appareil.
- Les aliments congelés peuvent provoquer des brûlures par le gel s'ils sont consommés directement dans le compartiment congélateur.
- Ne pas placer l'appareil en plein soleil.
- Éloignez de l'appareil les bougies, lampes et autres objets à flamme nue afin de ne pas mettre le feu à l'appareil.
- L'appareil est destiné à conserver des aliments et/ou des boissons dans des conditions normales de ménage, comme expliqué dans ce manuel d'instructions.
- L'appareil est lourd. Il faut faire attention en le déplaçant.
- Ne retirez pas et ne touchez pas les articles du compartiment congélateur si vos mains sont humides ou mouillées, car cela pourrait provoquer des abrasions de la peau ou des brûlures dues au gel ou à la congélation.
- N'utilisez jamais la base, les tiroirs, les portes, etc. pour vous tenir debout ou comme support.
- Les aliments congelés ne doivent pas être recongelés une fois qu'ils ont été décongelés.
- Ne consommez pas de sucettes glacées ou de glaçons directement sortis du congélateur, car cela peut provoquer des brûlures de congélation dans la bouche et les lèvres.
- Pour éviter que des articles ne tombent et ne causent des blessures ou des dommages à l'appareil, ne surchargez pas les grilles de porte et ne mettez pas trop d'aliments dans les tiroirs à légumes.
- Ne jamais couvrir ou obstruer les fentes de ventilation de l'appareil.

## Installation

- Pour le raccordement électrique, suivez attentivement les instructions données dans ce manuel.
- Déballez l'appareil et vérifiez s'il n'est pas endommagé. Ne pas brancher l'appareil s'il est endommagé. Signalez immédiatement les dommages éventuels à l'endroit où vous l'avez acheté. Dans ce cas, conservez l'emballage.
- Il est conseillé d'attendre au moins quatre heures avant de brancher l'appareil pour permettre à l'huile de refluer dans le compresseur.
- L'appareil doit être entouré d'une circulation d'air suffisante, faute de quoi il risque de surchauffer. Pour obtenir une ventilation suffisante, suivez les instructions relatives à l'installation. Dans la mesure du possible, l'arrière du produit ne doit pas être trop proche d'un mur pour éviter de toucher ou d'attraper les parties chaudes (compresseur, condenseur). Pour éviter tout risque d'incendie, suivez les instructions relatives à l'installation.
- L'appareil ne doit pas être placé à proximité de radiateurs ou de cuisinières.

## Service

- Tout travail électrique nécessaire à l'entretien de l'appareil doit être effectué par un électricien qualifié ou une personne compétente.
- Ce produit doit être entretenu par un centre de service agréé et seules des pièces de rechange d'origine doivent être utilisées.

## En cas de dysfonctionnement

- Si un dysfonctionnement se produit sur l'appareil, veuillez d'abord consulter la section « Dépannage » de ces instructions. Si les informations fournies ne vous aident pas, n'effectuez pas d'autres réparations vous-même.
- Vous ne devez en aucun cas tenter de réparer l'appareil vous-même. Les réparations effectuées par des personnes inexpérimentées peuvent provoquer des blessures ou des dysfonctionnements graves.

## Retirer l'emballage de transport

L'appareil et les aménagements intérieurs sont protégés pour le transport. Retirez le ruban adhésif sur les côtés gauche et droit de la porte. Vous pouvez enlever les restes de colle en utilisant de l'essence minérale. Retirez tout le ruban adhésif et les pièces d'emballage de l'intérieur de l'appareil.

## Élimination correcte de ce produit

### AVERTISSEMENT

#### RISQUE DE PIÉGEAGE DE L'ENFANT

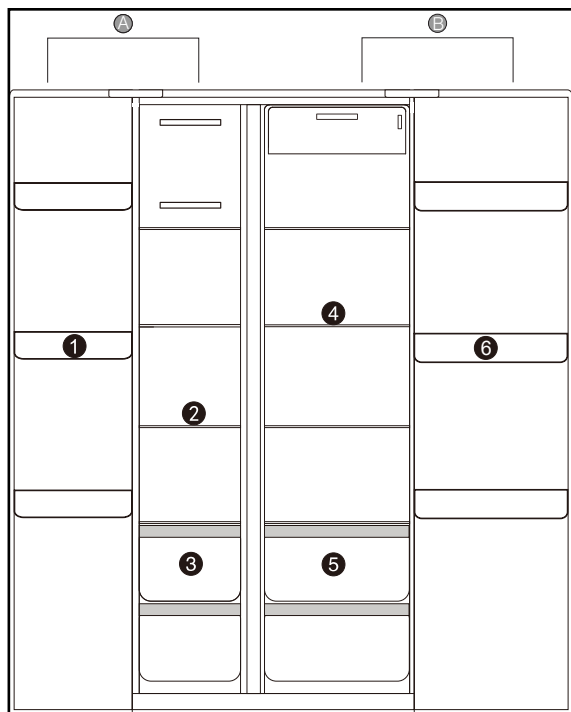
Avant de jeter votre ancien réfrigérateur ou congélateur :

- Enlever les portes
- Laissez les étagères en place afin que les enfants ne puissent pas facilement grimper à l'intérieur.

Afin d'éviter que l'élimination incontrôlée des déchets ne porte atteinte à l'environnement ou à la santé humaine, recyclez-les de manière responsable afin de promouvoir la réutilisation durable des ressources matérielles. Pour retourner votre appareil usagé, veuillez utiliser les systèmes de retour et de collecte ou contacter le détaillant où le produit a été acheté. Ils peuvent prendre ce produit pour un recyclage respectueux de l'environnement.

- Les appareils redondants ne doivent pas être jetés avec les déchets ménagers normaux, mais remis à un centre de collecte et de recyclage des équipements électroniques. Un symbole figurant sur le produit, le manuel d'instructions ou l'emballage indique qu'il peut être recyclé.
- Les matériaux utilisés à l'intérieur de l'appareil sont recyclables et sont étiquetés avec des informations à ce sujet. En recyclant les matériaux ou autres pièces des appareils usagés, vous contribuez de manière significative à la protection de notre environnement. Des informations sur les centres d'élimination appropriés pour les appareils usagés peuvent être fournies par votre autorité locale.
- L'emballage de cet appareil est uniquement nécessaire pour assurer une protection efficace pendant le transport. Ces matériaux peuvent être recyclés dans la mesure du possible.

## Aperçu du produit



Article	Description
A	Compartiment de congélation
1	Plateau de la porte du congélateur
2	Étagères en verre pour congélateur
3	Tiroir de congélation
B	Compartiment du réfrigérateur
4	Tablettes en verre pour réfrigérateur
5	Tiroir du réfrigérateur
6	Plateau de la porte du réfrigérateur

### REMARQUE :

- En raison d'une éventuelle mise à jour du produit de temps en temps, votre réfrigérateur peut être légèrement différent de ce manuel d'utilisation, mais sa fonction et son fonctionnement restent les mêmes.
- Pour obtenir la meilleure efficacité énergétique de ce produit, veuillez placer toutes les étagères, les tiroirs et les paniers dans leur position d'origine, comme l'indique le manuel d'utilisation.

## Installation

### ⚠ AVERTISSEMENT

Avant de procéder à l'installation, lisez attentivement les instructions pour votre sécurité et le bon fonctionnement de l'appareil.

### ⚠ AVERTISSEMENT

Pour éviter toute blessure ou tout dommage, l'installation doit être effectuée par au moins deux personnes.

## Contenu de la boîte

Assurez-vous que tous les éléments suivants sont inclus dans l'emballage. Si un élément est endommagé ou manquant, contactez votre revendeur.

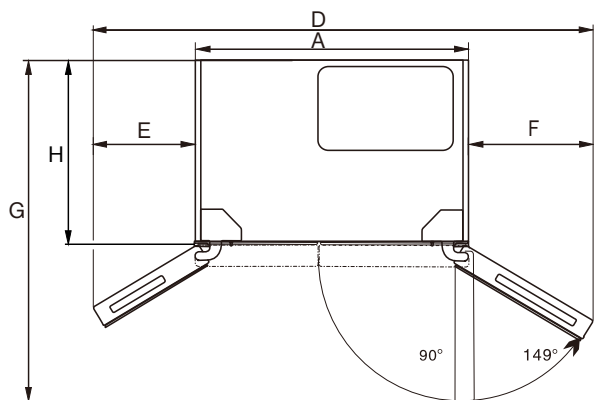
- Réfrigérateur x 1
- Manuel de l'utilisateur x 1
- Manuel de garantie x 1

L'installation et l'entretien doivent être effectués par un installateur, une agence de service ou un fournisseur d'électricité recommandé.

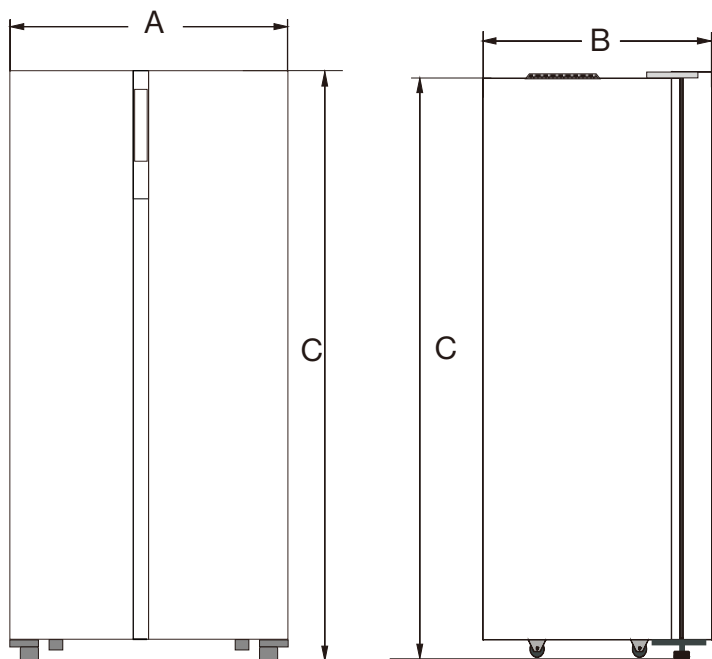
## Avant la première utilisation

- Retirez tout l'emballage, y compris le support en mousse au bas du réfrigérateur et les rubans fixant les accessoires dans la boîte.
- Placez le réfrigérateur dans une position verticale correcte, laissez-le reposer à la verticale pendant au moins 4 heures avant de le mettre sous tension.
- Retirez le film : La surface du panneau est recouverte d'une couche de film transparent qui le protège des rayures. Vous pouvez choisir de retirer ou de laisser le film selon vos besoins.
- Examinez les spécifications du produit ci-dessous pour planifier les dégagements appropriés dans et autour de l'enceinte.

## Spécification



Vue de dessus



Vue de face

Vue de côté

Dimension			
A	32 po (836mm)	E	12½ po (319mm)
B	25 po (636mm)	F	13½ po (343mm)
C	70 po (1780mm)	G	40 po (1020mm)
D	59 po (1498mm)	H	21⅞ po (554mm)

### REMARQUE :

- Le produit doit être correctement installé, localisé et utilisé conformément aux instructions contenues dans le manuel d'utilisation fourni.
- Les paramètres indiqués dans le tableau sont des paramètres de conception. Pour diverses raisons, il y aura un léger écart entre les dimensions réelles et les paramètres de conception. Les données indiquées ne sont qu'une référence.

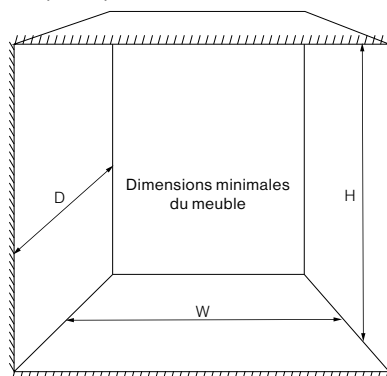
## Préparation du site

### Sélectionnez le lieu

- Votre nouveau réfrigérateur doit reposer sur une surface plane qui doit supporter un poids de 240 kg (529 lb). La surface doit être de niveau par rapport au plan du plancher de l'autocar. **REMARQUE :** Une pente agréable à vivre et provenant d'un moyen de transport normal est acceptable.
- Si l'appareil doit être placé sur le tapis, soutenez-le avec une planche de bois. Ne placez pas l'appareil directement sur la moquette, car la chaleur du compresseur pourrait faire déteindre la moquette.
- Pour un fonctionnement optimal et le plus efficace possible, le réfrigérateur doit fonctionner entre 10 °C et 43 °C (50 °F ~ 109 °F). Si vous installez l'appareil à proximité de sources de chaleur importantes, telles que des fours, des cheminées, des appareils de chauffage, etc. Veillez à ce qu'une barrière thermique, telle qu'un panneau de bois, isole l'espace du réfrigérateur afin de ne pas entraver les performances de l'appareil.

### Préparation de l'armoire/du boîtier du réfrigérateur

- Placez l'appareil loin des sources de chaleur telles que les poêles, les radiateurs, les rayons directs du soleil, les intempéries telles que la pluie, etc.



L	Min. 33⅞ po (861 mm)
H	Min. 71 po (1805 mm)
P	Min. 24¾ po (630 mm)

**REMARQUE :** Les dimensions comprennent le dégagement nécessaire pour la ventilation.

### Connexion électrique

#### ⚠ AVERTISSEMENT

Tout travail électrique nécessaire à l'installation de cet appareil doit être effectué par une personne qualifiée ou compétente.

Tous les produits Furrion référencés dans ce manuel doivent être installés conformément aux codes locaux et nationaux, y compris les dernières éditions des normes suivantes :

#### É.-U. :

- NFPA 1192
- NFPA 70
- ANSI/RVIA basse tension

#### Canada :

- C22.1
- CSA Z240

L'appareil est alimenté par un courant nominal de 12 V CC et doit être alimenté par un circuit de très basse tension de sécurité. Un convertisseur de courant homologué conforme à la norme UL 458 et/ou C22.2 No. 107.1 est nécessaire.

### Câblage du circuit basé sur la chute de tension :

Le câblage du circuit, le calibre (AWG), la longueur et l'acheminement doivent être déterminés par l'installateur. Il ne doit pas dépasser une chute de tension à l'appareil de plus de 0,4 V DC.

#### Pour mesurer :

Démarrez l'appareil à chaud, isolez et mesurez la différence de tension entre chaque source d'alimentation 12V DC et la connexion de l'appareil. Si la chute de tension dépasse 0,4 V DC, la longueur du fil doit être raccourcie et/ou le calibre du fil (AWG) augmenté.

**Valeur nominale du circuit :** Min 20 Amp, Max 40 Amp. Ne pas partager le circuit avec tout autre équipement d'utilisation.

**REMARQUE :** Le circuit doit être protégé par un fusible approprié au calibre du fil (AWG) utilisé, à moins de 18" de la source d'alimentation 12V DC.

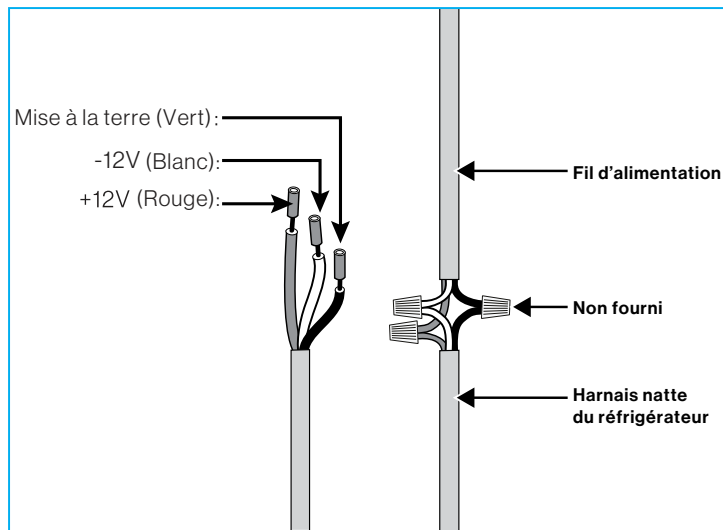
Seul un fusible à simple coup ou un disjoncteur à réarmement manuel est autorisé, les disjoncteurs à réarmement automatique ne doivent pas être utilisés. N'ajoutez pas de fusible supplémentaire à l'extrémité de la queue de cochon de l'appareil.

Ce qui suit est un guide de départ pour le dimensionnement des fils et doit être ajusté en fonction de la chute de tension réelle :

- 15 pi ou moins = 10 AWG
- 15 pi à 25 pi = 8 AWG
- 25 pi à 40 pi = 6 AWG

#### Conseils d'installation :

- La chute de tension peut être réduite en terminant le fil -12 V (blanc) directement sur le châssis du véhicule.
- -les fils de 12V (blanc) et de terre (vert) peuvent être combinés au niveau de l'appareil ou terminés individuellement.



- Introduisez le fil d'alimentation dans l'espace de l'armoire. Il est acceptable d'entrer par le plancher de l'armoire, la paroi latérale, la paroi arrière ou le plafond. Assurez-vous que le fil entre dans l'espace libre de l'armoire derrière le réfrigérateur.
- Furrion recommande de faire tomber le fil d'alimentation 12V du plafond supérieur ou du mur arrière supérieur. Fixez temporairement les fils à la moitié supérieure de l'appareil avec du ruban adhésif de façon à ce que l'excédent de fil tombe sans risque de frottement avec le châssis et le plancher de l'appareil pendant l'installation.

### Préparation du drainage

L'évacuation des condensats de la cavité est captée dans un bac de récupération intégré à l'unité. Aucun drainage externe ne doit être préparé à ce stade.

### Fixation du réfrigérateur

#### ⚠ AVERTISSEMENT

##### RISQUE D'INCENDIE ET D'ÉLECTRO RISQUE

- L'appareil contient des conduites de réfrigérant et des câbles électriques cachés.
- Suivez tous les conseils de cette section pour éviter la mort, les blessures ou les dommages matériels.

Pour les applications mobiles, il est impératif de déterminer une méthode de fixation suffisante pour empêcher le glissement et le basculement de l'appareil pendant le transport. Furrion ne fournit pas de méthodes de montage suffisantes, mais des lignes directrices à prendre en compte lors de l'évaluation.

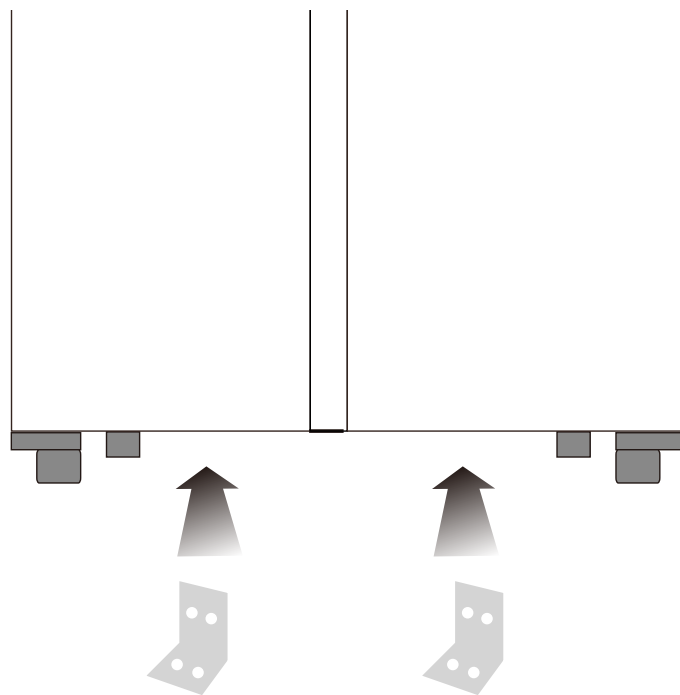
### Montage du corps

#### ⚠ AVERTISSEMENT

##### RISQUE D'INCENDIE ET D'ÉLECTRO RISQUE

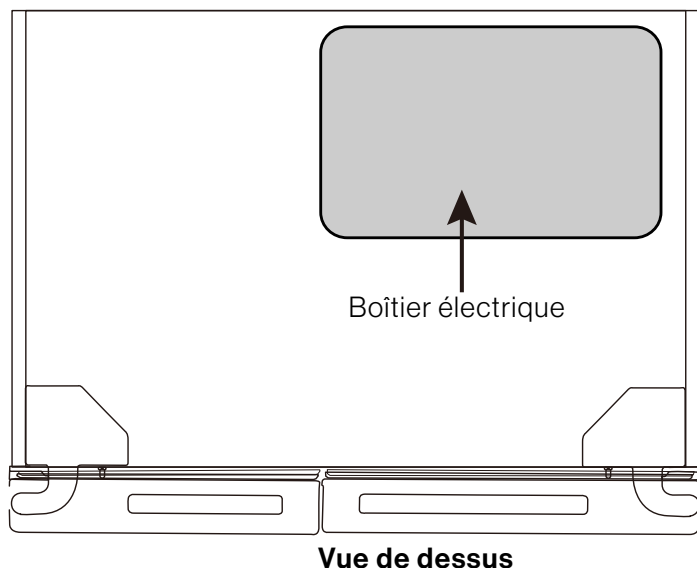
NE PAS percer les vis dans une surface quelconque du réfrigérateur, car il y a un risque de fuite, de réfrigération ou de décharge électrique.

Il est acceptable d'utiliser des supports à monter sur le cadre avant de la carrosserie du réfrigérateur et sur le plancher pour maintenir le réfrigérateur en place.



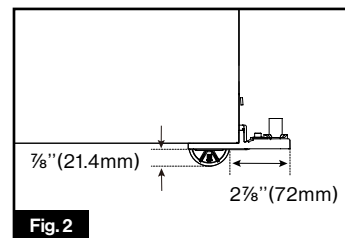
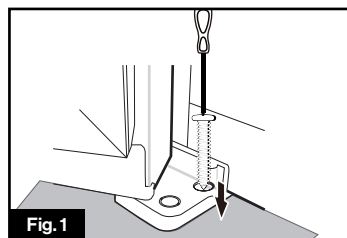
## Principaux obstacles

- Si des dispositifs de retenue sont utilisés pour monter ou toucher la surface supérieure de l'appareil, évitez tout contact avec le couvercle électrique en plastique gris pour ne pas l'endommager. (Fig. 3)



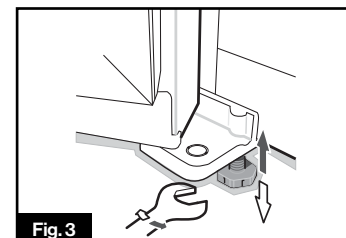
## Montage des charnières

Si vous utilisez la charnière comme méthode de fixation (Fig. 1), soutenez le bas de la charnière à l'aide d'une garniture ou d'un bloc de bois pour éviter de plier ou d'endommager la charnière. Le bloc de bois peut également être utilisé pour empêcher la roue de bouger. (Fig. 2).



## Nivellement (en option)

Vissez les pieds de nivellement dans les charnières inférieures à la profondeur appropriée jusqu'à ce que le réfrigérateur soit nivelé. (Fig. 3)



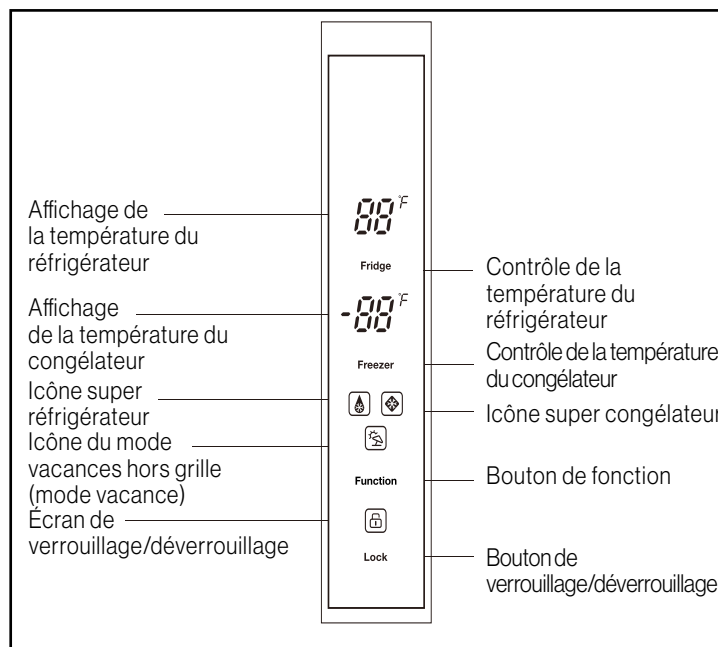
# Fonctionnement

## Panneau de contrôle

- Toutes les fonctions et commandes de l'unité sont accessibles à partir d'un panneau de commande commodément situé à l'avant de la porte. Un circuit imprimé d'affichage permet de configurer facilement les fonctions et les paramètres de manière simple et intuitive.
- Le tableau d'affichage est composé de quatre boutons. Vous entendrez un bref signal sonore lorsque vous appuyez sur les boutons.
- Pour assurer le fonctionnement normal du réfrigérateur, nous vous recommandons, lors de la première mise en marche de votre réfrigérateur, de régler la température du compartiment réfrigérateur à 41 °F et celle du compartiment congélateur à 0 °F.
- Toutefois, le réglage exact doit être choisi en gardant à l'esprit que la température intérieure dépend de.. :
  - Température ambiante
  - La fréquence d'ouverture de la porte
  - Quantité de nourriture stockée
  - Emplacement de l'appareil

### REMARQUE :

- Lorsque le réfrigérateur démarre, il est en mode d'économie d'énergie par défaut, ce qui permet d'économiser de l'énergie et de prolonger la durée de vie des lampes D.E.L.. L'écran s'allume pendant 20 s puis s'éteint.



## Sélection des fonctions

Appuyez sur le bouton **Fonction** pour sélectionner le mode de fonctionnement en suivant la séquence suivante : **mode vacances hors réseau (mode vacances) > mode super congélateur > mode super réfrigérateur.**

Arrêtez le cycle sur le réglage souhaité pour sélectionner le mode. Et l'icône du mode correspondant s'allume.

## Marche/Arrêt

- Appuyez longuement sur le bouton **Fonction** pendant 5 secondes pour activer ou désactiver le mode LOW POWER du réfrigérateur.
- L'affichage de la température s'allume avec --, appuyez longuement sur le bouton **Fonction** pendant 5 secondes pour remettre le réfrigérateur en marche.

## Mode vacances hors réseau (mode vacances)

Dans ce mode, le réfrigérateur fonctionne à 43 °F et le congélateur à 5 °F. Le réglage de ce mode peut aider à conserver l'énergie après la déconnexion du courant de quai, et en utilisant uniquement une source d'alimentation 12V DC et des sources d'énergie solaire. Limitez la fréquence d'ouverture des portes et la durée d'ouverture. Les aliments sensibles doivent être consommés plus rapidement, et stockés vers l'arrière du réfrigérateur pour en préserver la fraîcheur.

### Pour optimiser les performances de fonctionnement de la source d'alimentation 12V DC:

- Assurez-vous que le réfrigérateur et les aliments stockés sont à la température souhaitée avant de débrancher le courant de quai.
- Évitez d'ajouter en une seule fois des quantités importantes d'articles chauds, en particulier des boissons, à moins qu'ils ne soient déjà refroidis.
- Il est préférable d'ajouter de nouveaux éléments le matin afin d'utiliser l'énergie solaire (si elle est disponible) pendant la journée pour faire redescendre la température sans consommer la capacité de la source d'alimentation 12V DC.

## Mode super congélateur

Lorsque le mode Super congélateur est sélectionné, le compresseur fonctionne en continu pour congeler les aliments plus rapidement et les garder frais. Le mode super congélateur s'éteint automatiquement soit après 24 heures de fonctionnement, soit lorsque le capteur du congélateur atteint -18 °F. L'icône du super congélateur s'éteint et le congélateur continue à fonctionner à la dernière température que vous avez réglée auparavant.

## Mode super réfrigérateur

Lorsque le mode super réfrigérateur est sélectionné, le compartiment réfrigérateur atteint la température de consigne dans le délai le plus court, afin de conserver les aliments aussi frais que possible. Dans ce mode, la température de consigne du compartiment réfrigérateur se verrouille sur 32 °F. Le programme fonctionne pendant 150 minutes puis se termine automatiquement, l'icône du super réfrigérateur s'éteint, ce qui signifie que la fonction super réfrigérateur est désactivée, le réglage de la température revient au dernier réglage avant le fonctionnement du mode super réfrigérateur.

## Contrôles

### Réglages du réfrigérateur

Vous pouvez modifier la température ou les réglages du compartiment réfrigérateur en appuyant sur l'icône « **Réfrigérateur** » sous l'affichage de la température. La température par défaut du compartiment réfrigérateur est de 41 °F. Pour modifier la température, appuyez sur le bouton « **Réfrigérateur** » pour faire défiler les températures réglées : 41 °F > 39 °F > 38 °F > 36 °F > 34 °F > 32 °F > 43 °F. Arrêtez le cycle lorsque le réglage souhaité est sélectionné.

### Réglages du congélateur

Vous pouvez modifier la température ou les réglages du compartiment congélateur en appuyant sur le texte « **Congélateur** » sous l'affichage de la température. La température par défaut du compartiment réfrigérateur est de 0 °F. Pour modifier la température, appuyez sur le bouton « **Réfrigérateur** » pour faire défiler les températures réglées : 0 °F > -2 °F > -4 °F > -6 °F > -8 °F > -10 °F > 5 °F > 4 °F > 2 °F. Arrêtez le cycle lorsque le réglage souhaité est sélectionné.

### Verrouiller/Déverrouiller

- Ce réfrigérateur est capable de verrouiller le panneau de commande pour empêcher toute utilisation accidentelle.
- Tous les boutons sont verrouillés si vous appuyez sur le bouton **Verrouiller/Déverrouiller**.
- L'icône de verrouillage est allumée lorsque le panneau de commande est verrouillé.
- Maintenez le bouton de **verrouillage/déverrouillage** pendant 3 secondes pour déverrouiller. Et l'icône de verrouillage n'est plus affichée.

### Alarme de porte ouverte

Lorsque la porte du réfrigérateur reste ouverte pendant plus d'une minute, une sonnerie retentit pour vous rappeler que la porte est ouverte. Une fois la porte fermée, le son de l'alarme s'arrête automatiquement.

## Stockage des aliments

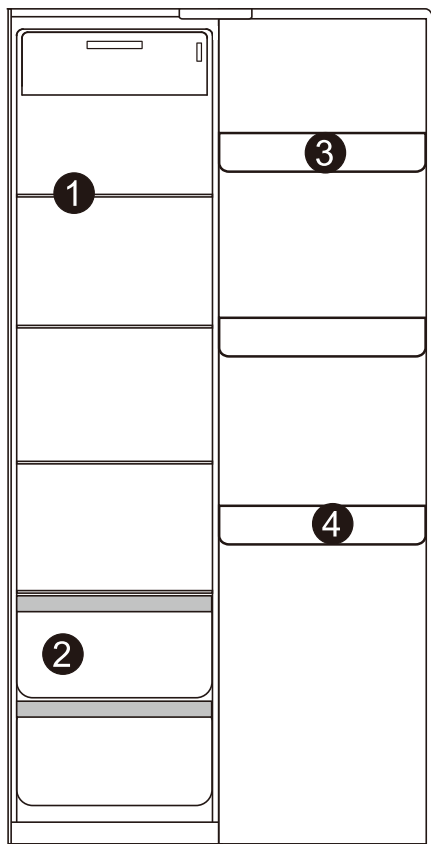
### IMPORTANT!

- Lorsque vous stockez des aliments à congeler, placez-les à l'intérieur de la chambre de congélation, ailleurs que sur le porte-bouteilles.
- Ne mettez pas d'aliments en bouteille ou en conserve dans la chambre de congélation pour éviter les fissures dues au gel.
- Avant de mettre des aliments chauds dans le réfrigérateur, refroidissez-les d'abord à la température ambiante, sinon la consommation d'énergie augmentera.
- Indiquez la date de congélation sur le sac d'emballage en fonction des différentes durées de conservation des aliments, afin d'éviter que les aliments ne dépassent la limite de temps de congélation.
- Divisez les aliments en morceaux appropriés et emballez-les séparément afin de les congeler complètement et d'éviter qu'ils ne soient congelés ensemble.
- Les matériaux d'emballage doivent être inodores, étanches à l'air et à l'eau et non polluants, de sorte que les aliments emballés ne soient pas altérés par d'autres odeurs et sans réduction de qualité.
- Ne mettez pas trop d'aliments frais à la fois dans la chambre de congélation, de préférence sans dépasser la valeur de la capacité de congélation du réfrigérateur.
- Les aliments fondus ne peuvent pas être recongelés, sauf s'ils sont transformés en plats, sinon leur apparence sera affectée.
- Les bouteilles ou récipients en verre ne doivent pas être placés dans la chambre de congélation ou à la sortie d'air du conduit de la chambre de réfrigération, sous peine d'exploser.
- Les aliments ne peuvent pas bloquer la sortie d'air, sinon la circulation de l'air sera anormale.

## Chambre de réfrigération

La chambre frigorifique est principalement utilisée pour stocker les aliments qui sont conservés pendant une courte période.

Le compartiment réfrigérateur est adapté à la conservation des fruits, des légumes, des boissons et d'autres aliments qui seront consommés dans un court laps de temps sur le site. Il est suggéré de sceller les aliments dans un récipient, puis de les mettre au réfrigérateur.

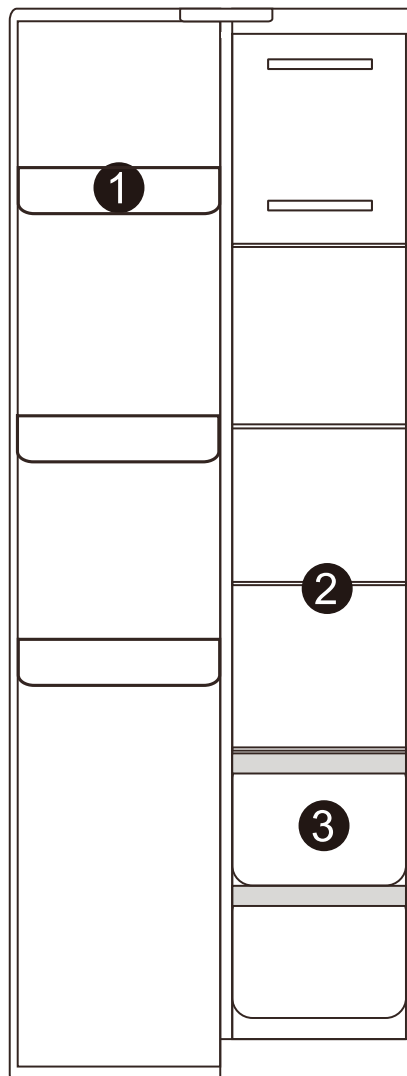


Article	Description	
①	Étagères en verre	Boissons, aliments à base de blé, lait, etc.
②	Tiroir	Fruits, légumes, etc.
③	Plateau supérieur	Produits laitiers, aliments odorants, etc.
④	Porte-bouteilles	Aliments emballés, minces, etc.

## Chambre de congélation

La chambre de congélation est utilisée pour congeler des aliments, stocker des aliments surgelés et fabriquer des glaçons.

Il peut conserver les aliments pendant une longue période. La chambre de congélation permet de conserver la fraîcheur des aliments pendant une longue période. Lors de la conservation de la viande, il est suggéré de couper la viande en morceaux faciles à sortir et de marquer la date de congélation pour éviter que les aliments ne dépassent la limite de temps.



Article	Description	
①	Porte-bouteilles supérieur	Petits articles congelés
②	Étagère en verre	Aliments congelés tels que le poisson, la viande et la crème glacée
③	Tiroir	Aliments surgelés, emballés, etc.

## Accessoires

### Boîte à fruits et légumes

La chambre du réfrigérateur est équipée d'une boîte à fruits et légumes, qui peut retenir l'humidité des fruits et légumes et maintenir correctement l'humidité de la boîte. Il convient pour le stockage des fruits et légumes. (Fig. 7)

### Étagères en verre

Lorsque vous retirez une étagère, appuyez des deux mains sur la goupille mobile située sous l'étagère et poussez-la en même temps vers l'intérieur. Ensuite, l'étagère en verre sera retirée. (Fig. 8)

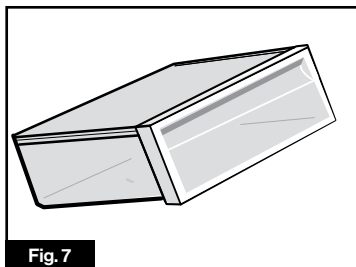


Fig. 7

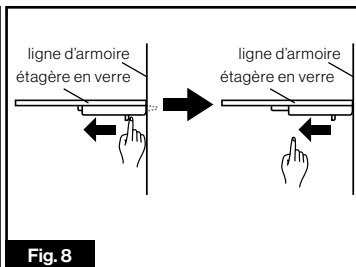


Fig. 8

### Étagères à bouteilles

**Démontage :** Tenez les deux côtés de l'étagère à bouteilles avec les deux mains. Poussez-le du côté sans bossage et poussez-le vers l'intérieur dans le sens de la flèche. En poussant fortement, veuillez noter que la boucle sur le bord de l'étagère à bouteilles se sépare

de la rainure de la doublure. Ensuite, l'étagère à bouteilles peut être retirée.

**Installation :** Tenez les deux côtés de l'étagère à bouteilles avec les deux mains. Installez d'abord la boucle du côté du patron. Ensuite, poussez légèrement l'autre côté vers l'intérieur, la boucle peut être fixée. (Fig. 9)

### Tiroir de la chambre de congélation

Le tiroir supérieur de la chambre de congélation peut congeler et stocker des aliments de grand volume, et le tiroir inférieur est principalement utilisé pour stocker des aliments congelés. (Fig. 10)

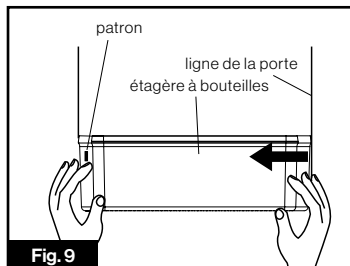


Fig. 9

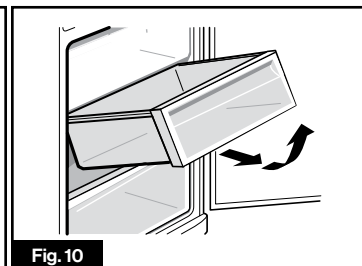


Fig. 10

## ⚠ MISE EN GARDE

Pour éviter d'endommager le revêtement, nettoyez immédiatement le réfrigérateur lorsque des aliments ou des liquides débordent. Les liquides huileux ou les aliments, comme la soupe, peuvent provoquer des fissures ou de la corrosion dans le revêtement.

# Nettoyage et entretien

## ⚠ DANGER

### DÉCHARGE ÉLECTRIQUE!

Toujours couper l'alimentation avant le nettoyage ou l'entretien

- Ne pas nettoyer l'appareil avec des objets métalliques, un nettoyeur à vapeur, des huiles étherées, des solvants organiques ou des nettoyeurs abrasifs.
- N'utilisez pas d'objets pointus pour retirer le givre de l'appareil.
- Utilisez un grattoir en plastique.

## Nettoyage extérieur

## ⚠ MISE EN GARDE

N'utilisez pas de diluant, de détergent pour voiture, de Clorox, d'huile étherée, de nettoyeurs abrasifs ou de solvant organique tel que le benzène pour le nettoyage, car ils pourraient endommager la surface de l'appareil et provoquer un incendie.

Pour préserver la bonne apparence de votre appareil, vous devez le nettoyer régulièrement.

Essuyez le panneau numérique et le panneau d'affichage avec un chiffon propre et doux.

Vaporisez l'eau sur le chiffon de nettoyage au lieu de la vaporiser directement sur la surface de l'appareil. Cela permet de garantir une répartition uniforme de l'humidité sur la surface.

Nettoyez les portes et les surfaces de l'armoire avec un détergent doux, puis essuyez-les avec un chiffon doux.

### IMPORTANT!

- Retirez les aliments de l'appareil avant de le nettoyer. Conservez-les dans un endroit frais et bien couvert.
- Ne nettoyez jamais l'appareil avec un nettoyeur à vapeur. L'humidité pourrait s'accumuler dans les composants électriques.

## Nettoyage intérieur

Vous devez nettoyer régulièrement l'intérieur de l'appareil. Suivez les étapes ci-dessous :

- Retirez tous les aliments.
- Essuyez l'intérieur du réfrigérateur-congélateur avec une solution faible de bicarbonate de soude, puis rincez à l'eau chaude avec une éponge ou un chiffon essoré.
- Essuyez complètement avant de replacer les étagères et les paniers. Séchez soigneusement toutes les surfaces et les parties amovibles.

Bien que cet appareil se dégivre automatiquement, une couche de givre peut apparaître sur les parois intérieures du compartiment congélateur si la porte du congélateur est ouverte fréquemment ou si elle reste ouverte trop longtemps.

Si le givre est trop épais, procédez comme suit :

- Retirez les paniers d'aliments et d'accessoires existants, coupez l'alimentation électrique du réfrigérateur et laissez les portes ouvertes.
- Aérez bien la pièce pour accélérer le processus de décongélation.
- Une fois le dégivrage terminé, nettoyez votre congélateur comme décrit ci-dessus.

## ⚠ MISE EN GARDE

Ce n'est que lorsque l'intérieur est complètement sec que l'appareil doit être remis en marche.

## Dégivrage

Cet appareil dispose d'une fonction de dégivrage automatique sans opération manuelle.

## Nettoyage des joints de porte

Veillez à ce que les joints de porte restent propres. Les aliments et les boissons collants peuvent faire coller les joints à l'armoire et les déchirer lorsque vous ouvrez la porte.

Lavez les joints avec un détergent doux et de l'eau chaude. Rincez et séchez-le soigneusement après le nettoyage.

**REMARQUE :** L'appareil ne doit être mis sous tension que lorsque les joints de la porte sont complètement secs.

## Conseils pour le stockage des aliments congelés

Pour obtenir les meilleures performances de cet appareil, vous devez :

- Veillez à ce que les aliments congelés soient transférés du magasin au congélateur dans les plus brefs délais.
- N'ouvrez pas la porte fréquemment et ne la laissez pas ouverte plus longtemps que nécessaire.
- Une fois décongelés, les aliments se détériorent rapidement et ne peuvent pas être recongelés.
- Ne dépassez pas la durée de conservation indiquée par le fabricant de l'aliment.
- Les vapeurs chaudes peuvent endommager les pièces en plastique.
- Les huiles étherées et les solvants organiques peuvent attaquer les pièces en plastique, par exemple le jus de citron ou le jus de la peau d'orange, l'acide butyrique, un nettoyeur qui contient de l'acide acétique. Ne laissez pas ces substances entrer en contact avec les pièces de l'appareil.
- N'utilisez pas de nettoyeurs abrasifs.
- Nettoyez l'appareil et les accessoires intérieurs avec un chiffon et de l'eau tiède. Les détergents pour lave-vaisselle disponibles dans le commerce peuvent également être utilisés.
- Après le nettoyage, essuyez avec de l'eau fraîche et un linge à vaisselle propre.
- Vérifiez le trou d'évacuation de l'eau sur la paroi arrière du compartiment réfrigérateur. Dégagez un trou d'évacuation bouché à l'aide d'un objet tel qu'une cheville verte souple, en veillant à ne pas endommager le meuble.
- Une fois que tout est sec, remettez l'appareil en service.

## Conseils pour la réfrigération

- Viande (tous types) : emballez-la dans des sacs en polyéthylène (plastique) et placez-la sur l'étagère en verre au-dessus du tiroir à légumes. Pour éviter l'empoisonnement ou la contamination des aliments, conservez les viandes correctement emballées pendant un ou deux jours seulement.
- Les aliments cuits, les plats froids; ils doivent être couverts et peuvent être placés sur n'importe quelle étagère.
- Fruits et légumes : nettoyés soigneusement et placés dans le tiroir spécial prévu à cet effet.
- Produits laitiers : placés dans des feuilles d'aluminium ou des sacs en polyéthylène (plastique) en enlevant le plus d'air possible.
- Bouteilles de lait : bouchées et rangées dans le porte-bouteilles sur la porte.

## En voyageant

Votre réfrigérateur est conçu pour fonctionner pendant le transport normal de votre autocar. Veuillez vous référer aux directives suivantes pour vous aider pendant le transport.

- Voyagez toujours avec les portes fermées et assurez-vous qu'elles ne s'ouvriront pas pendant le voyage.
- Évitez de voyager avec des aliments dans la cavité. Attendez d'être arrivé à destination et retirez les aliments restants avant de partir.
- Mettez le réfrigérateur sur « OFF » (MODE DE FAIBLE PUISSANCE) si vous montez ou descendez une pente hors route. L'huile du compresseur devrait se réinstaller dans les 2 heures.
- Assurez-vous que le réfrigérateur a atteint une température stable souhaitée avant de partir en voyage. Évitez de conserver des articles sensibles à la température dans le réfrigérateur pendant que vous voyagez, à moins qu'une source d'alimentation électrique DC12V soit disponible. Pendant le remorquage, le réfrigérateur peut être utilisé normalement, car le véhicule de remorquage doit charger la source d'alimentation DC12V. Voir Mode vacances hors réseau pour économiser l'énergie.
- Une fois arrivé à destination, utilisez le réfrigérateur comme indiqué dans ce manuel.

## STOCKAGE/HIVERNAGE

- Pour un stockage prolongé, il convient d'utiliser un dispositif de maintien de la source d'alimentation 12V DC, afin de conserver une charge complète.
- Si l'appareil est entreposé et n'est pas destiné à fonctionner, coupez l'alimentation, nettoyez soigneusement l'intérieur et laissez les portes ouvertes pour éviter que des odeurs anormales ne se développent.
- Pour éviter une décharge rapide des piles, le réfrigérateur peut être éteint pour passer en mode LOW POWER. Les deux écrans de température affichent « -- ». Appuyez sur la touche **FUNCTION** et maintenez-la enfoncée pendant 5 secondes pour passer de la MARCHÉ À L'ARRÊT.
- En mode LOW POWER, les lumières intérieures, le compresseur et le dégivreur sont éteints.

## En cas de coupure de courant

- En général, une panne de courant de courte durée n'affecte pas la température du réfrigérateur. Cependant, si la panne de courant dure longtemps, vous devez réduire la fréquence d'ouverture du réfrigérateur et ne pas y mettre d'aliments frais (pour éviter que la température du réfrigérateur n'augmente trop vite).
- Si vous savez qu'une panne de courant est imminente, vous pouvez activer la fonction « Super congélateur » à l'avance pour maintenir la température du réfrigérateur à sa valeur la plus basse.

## Fermeture

- En général, il n'est pas suggéré d'arrêter le réfrigérateur ou de couper l'interrupteur d'alimentation, sinon la durée de vie du réfrigérateur peut être affectée.

## Conseils pour économiser l'énergie

- Veillez à ce que le réfrigérateur soit éloigné des sources de chaleur et de la lumière directe du soleil.
- Avant de conserver des aliments chauds, laissez-les refroidir à température ambiante, puis mettez-les au réfrigérateur.
- Fermez la porte à temps, réduisez la fréquence d'ouverture et raccourcissez les temps d'ouverture.
- Lorsque vous décongelez des aliments surgelés, vous pouvez les placer dans la chambre de réfrigération, ce qui contribuera à la réfrigération de la chambre de réfrigération.
- Veillez à ce que le capteur de température ne soit pas couvert ou bloqué par des aliments, et gardez une distance adéquate avec les aliments.

# Dépannage

## ⚠ AVERTISSEMENT

Avant de procéder au dépannage, débranchez l'alimentation électrique.

### IMPORTANT!

Lorsque le compresseur est mis en marche, le réfrigérateur émet des sons ou des bruits, comme un gargouillis, ce qui est parfaitement normal.

Les réparations des réfrigérateurs/congélateurs ne doivent être effectuées que par des techniciens compétents. Une réparation incorrecte peut entraîner des risques importants pour l'utilisateur. Si votre appareil doit être réparé, veuillez contacter votre revendeur spécialisé ou votre centre de service local.

## Phénomènes normaux

Phénomènes	Solution
<b>Défaillance du bouton</b>	Veuillez vérifier la carte de contrôle si le réfrigérateur est en mode verrouillage. En mode verrouillage, tous les boutons ne peuvent pas fonctionner.
<b>Faible tension, le compresseur ne peut pas démarrer</b>	Chargez les batteries de l'auto-caravane en le connectant à la prise de quai.
<b>Temps de démarrage long</b>	Lorsque la température ambiante est élevée, il faudra un certain temps avant de sentir le refroidissement des compartiments.
<b>Les poutres du milieu sont chaudes</b>	Les poutres centrales sont chaudes après un certain temps de fonctionnement de l'appareil, c'est un phénomène normal.
<b>Gouttes de rosée</b>	Lorsque l'air extérieur pénètre dans la surface intérieure froide du réfrigérateur, des gouttes de rosée peuvent se former. Si l'humidité du lieu d'installation est élevée ou pendant la saison des pluies, des gouttes de rosée peuvent se former sur la face extérieure du réfrigérateur. C'est un phénomène naturel qui se produit par temps humide. Essayez les gouttes d'eau avec un chiffon sec.
<b>Bruit</b>	Lorsque vous utilisez le réfrigérateur pour la première fois, le réfrigérateur fonctionne à grande vitesse pour refroidir rapidement et le son peut sembler plus fort. Lorsque la température interne descend en dessous d'un certain niveau, le bruit s'estompe. Lorsque le compresseur démarre ou s'arrête, diverses pièces peuvent se dilater ou se contracter. Cela peut générer quelques sons audibles, des bruits, qui sont parfaitement normaux.
<b>Compresseur chaud</b>	Pendant le travail, la température du boîtier du compresseur peut s'élever à plus de 176 °F - ne touchez pas le compresseur, cela pourrait provoquer des blessures graves.
<b>Le compresseur fonctionne longtemps</b>	Lorsque la température ambiante est trop élevée ou que vous mettez trop d'aliments frais dans le réfrigérateur, il faudra beaucoup de temps pour refroidir jusqu'à ce que l'appareil fonctionne à la température de réglage.
<b>La lumière ne fonctionne pas</b>	Contactez le fabricant. Si la porte est restée ouverte trop longtemps, les lumières seront désactivées. Fermez et rouvrez la porte pour activer.
<b>Les deux affichages de température indiquent « -- » et les lumières intérieures sont éteintes</b>	Le réfrigérateur est en mode faible consommation. Appuyez sur le bouton de fonction et maintenez-le enfoncé pendant 5 secondes pour quitter le mode faible consommation.

## Dépannage

Avant de contacter le service client de Furrion :

1. Essayez de résoudre le problème vous-même en suivant les points décrits dans le tableau ci-dessous.
2. Éteignez l'appareil et redémarrez-le pour voir si le problème persiste.

Trouble	Cause possible	Solution
<b>Aucun affichage sur le panneau d'affichage</b>	L'appareil n'est pas allumé	Mettez l'appareil en marche.
	Les batteries du véhicule récréatif sont vides.	Rechargez la source d'alimentation DC12V (en connectant l'auto-caravane à la prise de quai).
	Le fusible est grillé ou défectueux	Vérifiez le fusible, remplacez-le si nécessaire.
	Les fils de connexion DC sont intermittents/cassés	De tels dysfonctionnements doivent être corrigés par un électricien.
<b>Alarme sonore</b>	La porte est légèrement ouverte ou n'est pas fermée pendant plus d'une minute	Fermez complètement la porte.
<b>Le compresseur ne fonctionne pas</b>	Mode sous dégivrage	Normal pour le dégivrage.
	La tension de la source d'alimentation DC12V est trop faible ou la source d'alimentation DC12V est trop faible.	Chargez/remplacez la source d'alimentation DC12V.
<b>Bruit de vibration</b>	Le sol est irrégulier ou semaine	Assurez-vous que le sol est plat et solide et qu'il peut supporter le réfrigérateur de manière adéquate.
	Les articles placés sur le dessus du réfrigérateur vibrent	Retirer les articles.
	Le réfrigérateur touche le mur ou l'armoire	Déplacez le réfrigérateur de manière à ce qu'il ne touche pas le mur ou l'armoire.
<b>Couche de givre dans le compartiment</b>	Sorties d'air bloquées	Vérifiez que les sorties d'air ne sont pas bloquées et que les aliments placés dans l'appareil sont suffisamment ventilés
<b>Les portes ne se ferment pas facilement</b>	Blocage	<ul style="list-style-type: none"> <li>• Vérifiez que rien d'interne n'est coincé dans la porte.</li> <li>• Inclinez le réfrigérateur vers l'arrière pour permettre au mécanisme de fermeture automatique de se mettre en marche.</li> </ul>
<b>La lumière ne fonctionne pas</b>	D.E.L. endommagée	Contactez le fabricant
	Témoins de désactivation du système de contrôle	Si la porte est restée ouverte trop longtemps, les lumières seront désactivées. Fermez et rouvrez la porte pour activer

Français

## Spécification

Spécifications	
Capacité totale	15,6 pi <sup>3</sup> (442 l)
Capacité du congélateur	6,08 pi <sup>3</sup> (172 l)
Capacité du réfrigérateur	9,54 pi <sup>3</sup> (270 l)
Bruit (dB)	≤42 dB
Type de porte	Côte à côte
Poignée	Poignée encastrée
Type de contrôle	Affichage D.E.L. avec contrôle électronique
Nombre d'étagères	6
Nombre de bacs à légumes	4
Type de refroidissement	Système de refroidissement par compression

Spécifications	
Réfrigérant	R600a
Tension nominale	DC 12V
Courant nominal	19A (≤ 20A)
Consommation électrique	667 kWh/an
Évaluation hors réseau	5,3 Ah @ 77 °F (25 °C)
Plage de température	Réfrigérateur 0 °C à 6 °C (32 °F à 43 °F) réglable Congélateur : -23 °C à -15 °C (-10 °F à 5 °F) réglables
Plage de températures de travail	50 °F à 110 °F (10 °C à 43 °C)
Dégivrage	Automatique
Certification	CSA

Gracias y felicitaciones por adquirir este producto Furrion. Antes de utilizar su nuevo producto, lea atentamente estas instrucciones. Este manual de instrucciones contiene información para el uso, la instalación y el mantenimiento seguros del producto.

Guarde este manual de instrucciones en un lugar seguro para futuras consultas. Esto garantizará un uso seguro y reducirá el riesgo de lesiones. Asegúrese de entregar este manual a los nuevos propietarios de este producto.

El fabricante no se hace responsable de los daños ocasionados por no seguir estas instrucciones.

## Tabla de contenidos

<b>Tabla de contenidos</b> .....	<b>29</b>
<b>Explicación de los símbolos</b> .....	<b>30</b>
<b>Importantes instrucciones de seguridad</b> .....	<b>30</b>
Medidas generales de seguridad.....	30
Refrigerante.....	30
Uso diario.....	30
Instalación.....	31
Mantenimiento.....	31
En caso de mal funcionamiento.....	31
Retire el empaque de traslado.....	31
Eliminación correcta de este producto.....	31
<b>Descripción general del producto</b> .....	<b>32</b>
<b>Instalación</b> .....	<b>32</b>
Qué hay en la caja.....	32
Antes del primer uso.....	32
Especificaciones.....	33
Preparación del lugar.....	33
Sujeción del refrigerador.....	34
<b>Operación</b> .....	<b>35</b>
Panel de control.....	35
Selección de funciones.....	35
Controles.....	36
Almacenamiento de alimentos.....	36
Accesorios.....	38
<b>Limpieza y mantenimiento</b> .....	<b>39</b>
Limpieza exterior.....	39
Limpieza interior.....	39
Consejos para almacenar alimentos congelados.....	39
Consejos para la refrigeración.....	40
Viajes.....	40
Corte de energía.....	40
Consejos para ahorrar energía.....	40
<b>Solución de problemas</b> .....	<b>41</b>
Fenómenos normales.....	41
Solución de problemas.....	42
<b>Especificaciones</b> .....	<b>42</b>

# Explicación de los símbolos

Este manual contiene información e instrucciones de seguridad para ayudarlo a eliminar o reducir el riesgo de accidentes y lesiones. Respete siempre todas las advertencias de seguridad identificadas con estos símbolos. Una palabra de advertencia identificará los mensajes de seguridad y de daños materiales e indicará el grado o nivel de gravedad del peligro.

## ⚠ PELIGRO

Indica una situación de peligro inminente que, si no se evita, provocará la muerte o lesiones graves.

## ⚠ ADVERTENCIA

Indica una situación de peligro potencial que, si no se evita, podría causar la muerte o lesiones graves.

## ⚠ PRECAUCIÓN

Indica una situación de peligro potencial que, si no se evita, podría causar lesiones personales o daños materiales menores o moderados.

# Importantes instrucciones de seguridad

## Medidas generales de seguridad

### ⚠ ADVERTENCIA

- Este electrodoméstico es para uso doméstico y aplicaciones similares, por ejemplo:
  - Viviendas residenciales, móviles y recreativas.
  - Áreas de cocina en tiendas, oficinas y otros entornos de trabajo;
  - Granjas y uso de clientes en hoteles, moteles y otros entornos de tipo residencial;
  - Entornos de tipo posadas;
  - Servicio de comidas y aplicaciones no minoristas similares.
- No guarde sustancias explosivas, como latas de aerosol con propulsor inflamable, en este electrodoméstico.
- Si el cable de alimentación está dañado, debe reemplazarlo el fabricante, su agente de servicio o personas con calificaciones similares para evitar un peligro.
- Mantenga las aberturas de ventilación de la carcasa del refrigerador o la estructura integrada sin obstrucciones.
- No use dispositivos mecánicos u otros medios para acelerar el proceso de desescarche que no sean los recomendados por el fabricante.
- No dañe el circuito del refrigerante.
- No use aparatos eléctricos dentro de los compartimentos para guardar comida del electrodoméstico, a menos que sean del tipo recomendado por el fabricante.
- El refrigerante y el gas aislante son inflamables. Al descartar el electrodoméstico, hágalo únicamente en un centro de residuos autorizado. No lo exponga a llamas.
- Al posicionar el electrodoméstico, asegúrese de que el cable de alimentación no quede atascado y no esté dañado.
- No coloque múltiples tomas eléctricas portátiles o fuentes de alimentación portátiles detrás del electrodoméstico.
- Para evitar un peligro por inestabilidad del electrodoméstico, debe fijarse de acuerdo con las instrucciones.

## Refrigerante

### ⚠ PELIGRO

#### RIESGO DE INCENDIO O EXPLOSIÓN

- Usa refrigerante inflamable. No use dispositivos mecánicos para eliminar la escarcha del refrigerador. No perforo el tubo del refrigerante.
- Usa refrigerante inflamable. Solo personal de servicio capacitado debe hacer las reparaciones. No perforo el tubo del refrigerante.

### ⚠ PRECAUCIÓN

#### RIESGO DE INCENDIO O EXPLOSIÓN

- Usa refrigerante inflamable. Consulte el manual de reparación/guía del propietario antes de intentar hacerle mantenimiento a este producto. Se deben seguir todas las precauciones de seguridad.
- Descarte el producto de acuerdo con las regulaciones federales o locales. Usa refrigerante inflamable.
- Riesgo de incendio o explosión por perforación de la tubería de refrigeración. Siga las instrucciones de manipulación con cuidado. Usa refrigerante inflamable.

El isobutano refrigerante (R600a) está dentro del circuito de refrigeración del electrodoméstico, es un gas natural con un alto nivel de compatibilidad ambiental, pero de todos modos es inflamable.



Riesgo de incendio

- Durante el transporte y la instalación del electrodoméstico, asegúrese de que no se dañe ninguno de los componentes del circuito del refrigerante.
- Si se daña el circuito del refrigerante:
  - Evite las llamas abiertas y las fuentes de ignición;
  - Ventile bien la habitación en la que se encuentra el electrodoméstico.

## Uso diario

- El electrodoméstico no debe ser usado por personas (incluidos niños) con capacidades físicas, sensoriales o mentales reducidas, o falta de experiencia y conocimientos, a menos que haya supervisión o hayan recibido instrucciones sobre el uso del electrodoméstico de las personas responsables por su seguridad.

- No almacene gases o líquidos inflamables en el electrodoméstico ya que hay riesgo de explosión.
- No opere ningún aparato eléctrico en el electrodoméstico (por ejemplo, máquinas eléctricas para hacer helado, batidoras, etc.).
- No coloque objetos calientes cerca de los componentes plásticos de este electrodoméstico.
- No coloque productos alimentarios directamente contra la salida de aire de la pared trasera.
- Guarde las comidas congeladas preenvasadas de acuerdo con las instrucciones del fabricante de la comida congelada.
- Se deben cumplir estrictamente las recomendaciones de almacenamiento de los fabricantes de electrodomésticos. Consulte las instrucciones pertinentes para el almacenamiento.
- No coloque bebidas carbonatadas o gasificadas en el congelador ya que genera presión en el contenedor, lo cual podría hacer que explote y dañar el electrodoméstico.
- La comida congelada puede causar quemaduras por frío si se consumen directamente del congelador.
- No coloque el electrodoméstico en la luz solar directa.
- Mantenga las velas encendidas, las lámparas y otros elementos con llama abierta lejos del electrodoméstico para que no se prenda fuego el electrodoméstico.
- Este electrodoméstico tiene el fin de almacenar alimentos y bebidas en viviendas normales como se explica en este folleto de instrucciones.
- El electrodoméstico es pesado. Se debe tener cuidado al moverlo.
- No retire ni toque los elementos del congelador con las manos húmedas/mojadas, ya que puede causar abrasiones en la piel o quemaduras por frío/congelamiento.
- Nunca se ponga de pie en la base, los cajones, las puertas, etc. ni los use como soporte.
- La comida congelada no se debe volver a congelar una vez que se descongela.
- No consuma palitos de helado ni cubos de hielo directamente del congelador ya que pueden provocar quemaduras por frío en la boca y los labios.
- Para evitar que se caigan objetos y provoquen lesiones o daños al electrodoméstico, no sobrecargue los estantes de la puerta ni coloque demasiada comida en los cajones de verdura.
- Nunca cubra ni obstruya las ranuras de ventilación del electrodoméstico.

## Instalación

- Para la conexión eléctrica, siga las instrucciones de este manual.
- Desembale el electrodoméstico y verifique si tiene daños. No conecte el electrodoméstico si está dañado. Informe de inmediato los posibles daños al lugar donde lo compró. En ese caso, conserve el empaque.
- Se recomienda esperar al menos cuatro horas antes de conectar el electrodoméstico para que el aceite fluya nuevamente en el compresor.
- El electrodoméstico debe tener una circulación de aire adecuada, de lo contrario, se sobrecalienta. Para que haya suficiente ventilación, siga las instrucciones pertinentes a la instalación. Siempre que sea posible, la parte de atrás del producto no debe estar demasiado cerca de la pared para evitar que entre en contacto o se atoren piezas calientes (compresor, condensador) y prevenir el riesgo de incendio; siga las instrucciones pertinentes a la instalación.
- El electrodoméstico no debe colocarse cerca de radiadores ni cocinas.

## Mantenimiento

- Cualquier trabajo eléctrico necesario para hacer el mantenimiento del electrodoméstico debe llevarlo a cabo un electricista calificado o una persona competente.
- Un Centro de servicio autorizado debe hacer el mantenimiento de este producto, y solo deben usarse repuestos originales.

## En caso de mal funcionamiento

- Si el electrodoméstico funciona mal, primero consulte la sección "Resolución de problemas" de estas instrucciones. Si la información proporcionada no es útil, no realice ninguna reparación por su cuenta.
- En ninguna circunstancia, intente reparar el electrodoméstico por su cuenta. Las reparaciones realizadas por personas sin experiencia pueden provocar lesiones o un mal funcionamiento grave.

## Retire el empaque de traslado

El electrodoméstico y los accesorios internos están protegidos para su traslado. Despegue la cinta adhesiva de los lados derecho e izquierdo de la puerta. Puede retirar el remanente del adhesivo con alcohol mineral. Retire toda la cinta adhesiva y las piezas del embalaje de la parte interna del electrodoméstico.

## Eliminación correcta de este producto

### ADVERTENCIA

#### RIESGO DE APRISIONAMIENTO DE NIÑOS

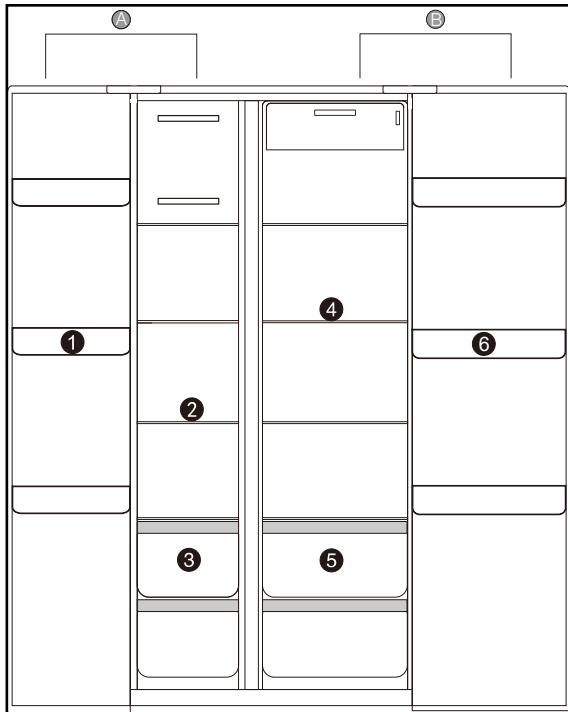
Antes de descartar el refrigerador o congelador viejo, haga lo siguiente:

- Retire las puertas.
- Deje los estantes en su lugar para que los niños no puedan trepar fácilmente.

Para evitar posibles daños al medio ambiente o para la salud humana por la eliminación descontrolada de residuos, recíclelo con responsabilidad para fomentar la reutilización sostenible de los recursos materiales. Para devolver el aparato usado, utilice los sistemas de devolución y recolección, o contáctese con la tienda a la que le compró el producto. Pueden recoger este producto para que se recicle de manera segura para el medio ambiente.

- Los aparatos redundantes no deben descartarse con los residuos domésticos normales, sino que deben llevarse a un centro de recolección y reciclaje para equipos electrónicos. Un símbolo en el producto, el manual de instrucciones o el empaque indica que es adecuado para reciclaje.
- Los materiales usados dentro del electrodoméstico son reciclables y están etiquetados con la información pertinente. Al reciclar materiales u otras piezas de dispositivos usados, está contribuyendo significativamente a la protección de nuestro medio ambiente. Las autoridades locales pueden proporcionarle información sobre los centros de desechos adecuados.
- El embalaje de este electrodoméstico solo es necesario para protegerlo de manera eficaz durante el traslado. Estos materiales pueden reciclarse cuando sea posible.

# Descripción general del producto



Artículo	Descripción
A	Compartimento del congelador
1	Bandeja de puerta del congelador
2	Estantes de vidrio del congelador
3	Cajón del congelador
B	Compartimento del refrigerador
4	Estantes de vidrio del refrigerador
5	Cajón del refrigerador
6	Bandeja de puerta del refrigerador

## NOTA:

- Debido a la posible actualización periódica del producto, el refrigerador puede ser ligeramente diferente al de este Manual del usuario, pero sus funciones y operación siguen siendo las mismas.
- Para lograr la mejor eficacia energética del producto, coloque todos los estantes, cajones y cestos en su posición original como indica el Manual del usuario.

## Instalación

### ⚠ ADVERTENCIA

Antes de la instalación, lea atentamente las instrucciones por su seguridad y la correcta operación del electrodoméstico.

### ⚠ PRECAUCIÓN

Para evitar lesiones personales o daños, se necesitan al menos 2 personas para la instalación.

## Qué hay en la caja

Asegúrese de que todos los siguientes elementos se incluyan en el embalaje. Si algún elemento está dañado o falta, comuníquese con su distribuidor.

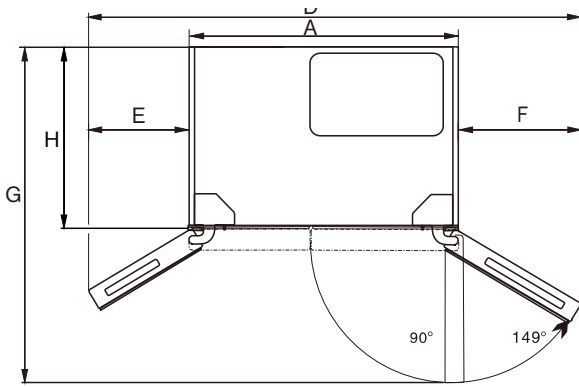
- Refrigerador x 1
- Manual del usuario x 1
- Manual de garantía x 1

La instalación y el mantenimiento deben hacerlos un instalador, agencia de mantenimiento o proveedor de electricidad recomendados.

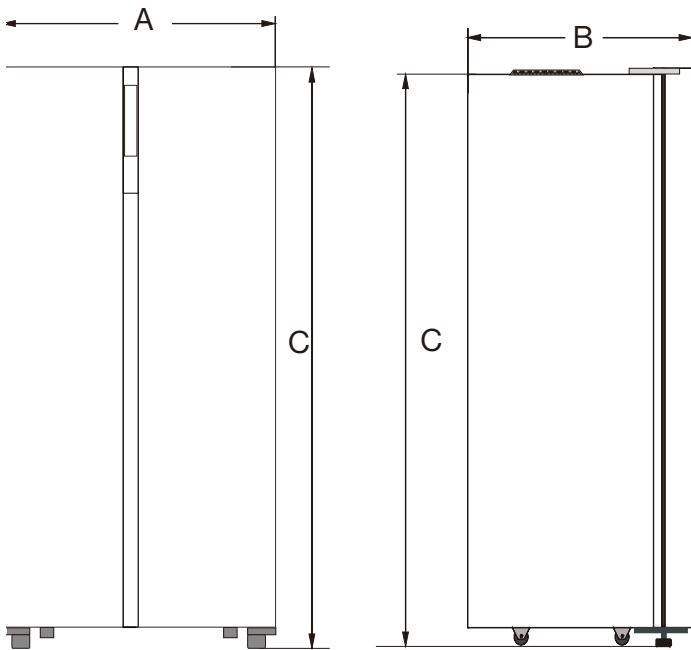
## Antes del primer uso

- Retire todo el embalaje, incluido el soporte de espuma en la parte inferior del refrigerador, así como las cintas que sostienen los accesorios en la caja.
- Coloque el refrigerador en una posición vertical correcta, déjelo en esa posición al menos durante 4 horas antes de encenderlo.
- Retire la película. Hay una capa de película transparente en la superficie del panel para protegerlo contra rayaduras. Puede retirar o dejar la película según sea necesario.
- Revise las especificaciones del producto a continuación para pensar en los espacios adecuados dentro y alrededor del gabinete.

## Especificaciones



Vista superior



Vista lateral

Vista frontal

Dimensión			
A	32" (836mm)	E	12½" (319mm)
B	25" (636mm)	F	13½" (343mm)
C	70" (1780mm)	G	40" (1020mm)
D	59" (1498mm)	H	21⅞" (554mm)

**NOTA:**

- El producto debe instalarse correctamente, ubicarse y operarse de acuerdo con las instrucciones incluidas en el Manual del usuario provisto.
- Los parámetros de la tabla son parámetros de diseño. Por diversos motivos, habrá una leve diferencia entre las dimensiones reales y los parámetros de diseño. Los datos enumerados solo sirven como referencia.

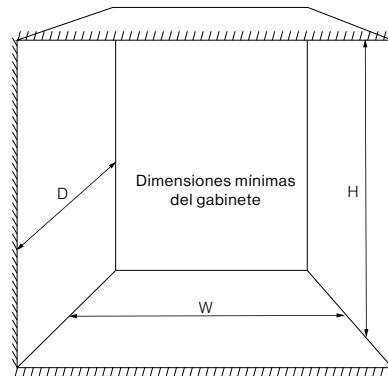
## Preparación del lugar

### Selección del lugar

- El nuevo refrigerador debe apoyarse en una superficie plana que soporte un peso de 529 lb (240 kg). La superficie debe estar nivelada en relación con el plano de la planta.  
**NOTA:** Una inclinación que sea cómoda y a partir del traslado normal es aceptable.
- Si el electrodoméstico se colocará sobre una alfombra, utilice una tabla de madera para apoyarlo. No coloque el electrodoméstico directamente sobre la alfombra, ya que el calor del compresor puede desteñirla.
- Para lograr la mejor y más eficiente operación, el refrigerador debe utilizar a entre 50 °F y 109 °F (10 °C y 43 °C). Si se instala cerca de fuentes de calor grandes, como hornos, chimeneas, calderas, etc., asegúrese de que una barrera térmica, como un revestimiento de madera, aisle el espacio del refrigerador para no perjudicar el rendimiento del electrodoméstico.

### Preparación de la carcasa/gabinete del refrigerador

- Coloque el electrodoméstico lejos de fuentes de calor, como estufas, radiadores, luz solar directa, fenómenos meteorológicos, como lluvia, etc.



An	Min. 33⅞" (861 mm)
A	Min. 71" (1805 mm)
D	Min. 24¼" (630 mm)

**NOTA:** Las dimensiones incluyen el espacio para la ventilación.

### Conexión eléctrica

#### ⚠ ADVERTENCIA

Cualquier trabajo eléctrico necesario para instalar este electrodoméstico debe llevarlo a cabo una persona calificada o competente.

Todos los productos Furrion mencionados en este manual deben instalarse de acuerdo con los códigos locales y nacionales, incluidas las últimas ediciones de los siguientes estándares:

**EE. UU.:**

- NFPA 1192
- NFPA 70
- ANSI/RVIA voltaje bajo

**Canadá:**

- C22.1
- CSA Z240

El electrodoméstico funciona con 12 V CC nominal y debe suministrarse un circuito de SEGURIDAD EXTRA-VOLTAJE BAJO, se necesita un transformador de energía enumerado que cumpla

con UL 458 o C22.2 Nro. 1071

### Cableado del circuito en función de caída de tensión:

El instalador debe determinar el cableado del circuito, el calibre (AWG), la longitud y el recorrido. La caída de tensión no debe ser superior a 0.4 V CC en el electrodoméstico.

### Para medir:

Arranque el electrodoméstico en caliente y aislado, y mida la diferencia de voltaje entre cada fuente de alimentación de 12 V CC y la conexión del electrodoméstico. Si la caída de tensión supera los 0.4 V CC, la longitud del cable debe acortarse o se debe aumentar el calibre del cable (AWG).

**Capacidad del circuito:** Mín. 20 amp, máx. 40 amp. No comparta el circuito con otros equipos.

**NOTA:** El circuito debe tener los fusibles adecuados para el calibre del cable (AWG) utilizado, a menos de 18" de la fuente de alimentación de 12 V CC.

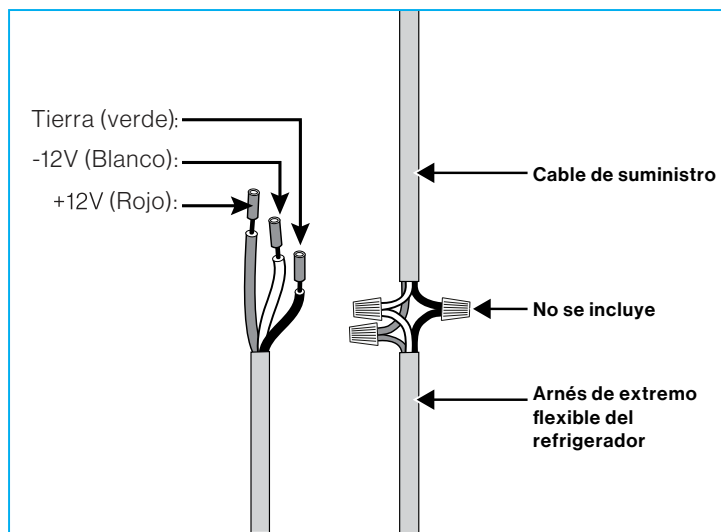
Solo se permite un fusible único o un disyuntor manual rearmable, no se deben usar disyuntores automáticos. No agregue fusibles adicionales en el extremo flexible del electrodoméstico.

A continuación, se incluye una guía inicial sobre el tamaño de los cables que debe adaptarse según la caída de tensión real:

- 15 pies o menos = 10 AWG
- De 15 pies a 25 pies = 8 AWG
- De 25 pies a 40 pies = 6 AWG

### CONSEJOS de instalación:

- La caída de tensión se puede reducir conectando el cable de -12 V (blanco) directamente en el chasis del vehículo.
- Los cables de -12 V (blanco) y a tierra (verde) se pueden combinar en el electrodoméstico o conectarse individualmente.



- Coloque el cable de suministro en el espacio del gabinete. Es aceptable colocarlo a través del piso del gabinete, la pared lateral, la pared trasera o el techo. Asegúrese de que el cable pase por el espacio libre del gabinete detrás del refrigerador.
- Furrion recomienda colocar el cable de alimentación de 12 V desde el techo o la parte superior de la pared trasera. Fije temporalmente los cables a la mitad superior del electrodoméstico con cinta para que el exceso del cable caiga sin que roce contra el chasis del electrodoméstico y el piso durante la instalación.

## Preparación del drenaje

La condensación de la cavidad se drena en una bandeja integrada en la unidad. No es necesario preparar ningún drenaje externo en este punto.

## Sujeción del refrigerador

### ⚠ ADVERTENCIA

#### PELIGRO DE INCENDIO Y CHOQUE ELÉCTRICO

- El electrodoméstico contiene tubos de refrigerante y cables eléctricos ocultos.
- Siga todas las pautas de esta sección para prevenir muertes, lesiones o daños de propiedad.

Para las aplicaciones móviles, es fundamental determinar un método de sujeción seguro para evitar que se deslice o caiga el electrodoméstico durante el traslado. Furrion no proporciona métodos de montaje suficientes, pero ofrece pautas para tener en cuenta en la evaluación.

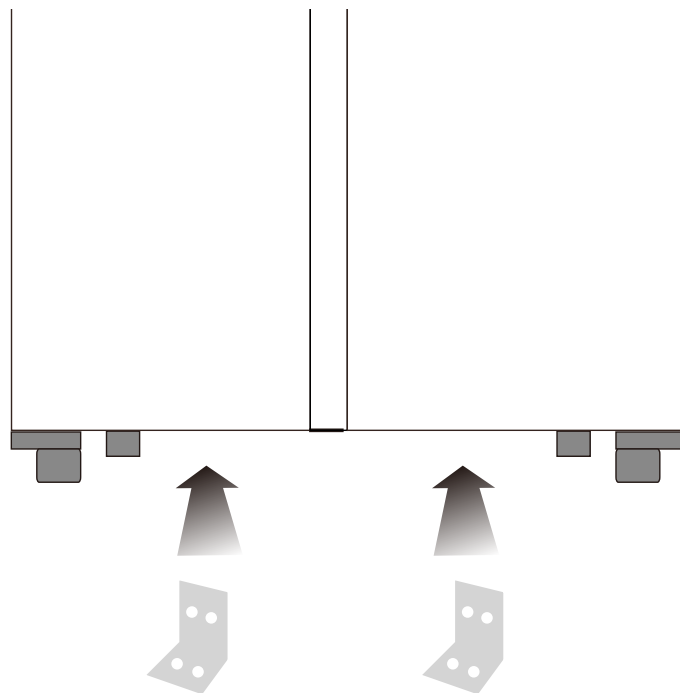
## Montaje del cuerpo

### ⚠ ADVERTENCIA

#### PELIGRO DE INCENDIO Y CHOQUE ELÉCTRICO

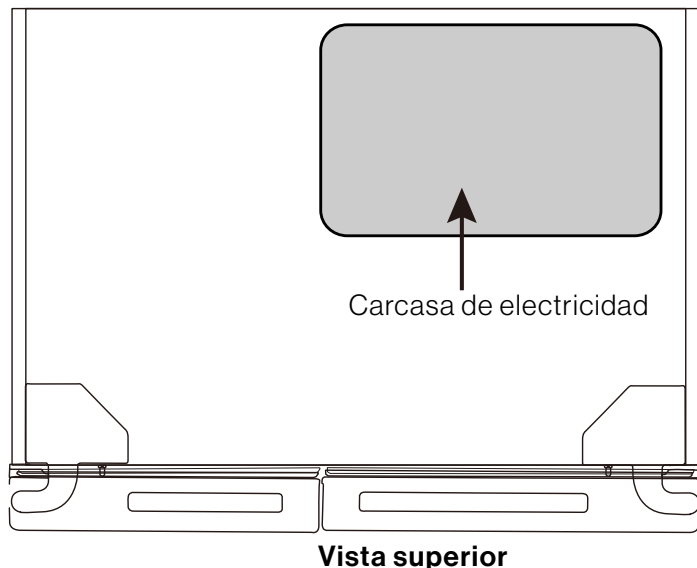
NO perforo con tornillos ninguna superficie del refrigerador, ya que hay riesgo de fuga de refrigeración o peligro de choque eléctrico.

Es aceptable usar soportes para montar el marco frontal del refrigerador y del piso para que quede en su lugar.



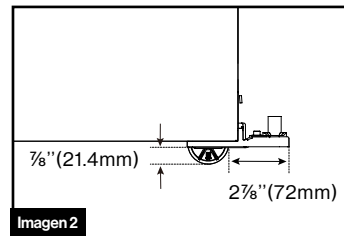
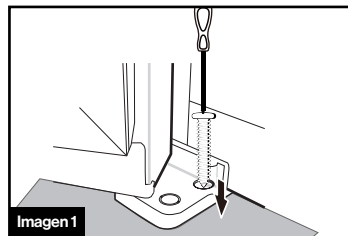
## Contención superior

- Si se usa una contención para el montaje o está en contacto con la superficie superior del electrodoméstico, evite que entre en contacto con la cubierta eléctrica de plástico gris para evitar daños. (Fig. 3)



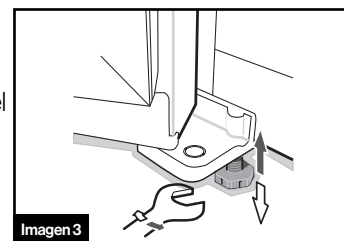
## Montaje con bisagras

Si se usan bisagras como método de sujeción (Fig. 1), sostenga la parte inferior de la bisagra con una moldura/bloque de madera para evitar que se doble/dañe. El bloque de madera también se puede usar para trabar la rueda. (Fig. 2)



## Nivelación (opcional)

Atornille la pata niveladora en las bisagras inferiores a la profundidad adecuada hasta que el refrigerador esté nivelado. (Fig. 3)



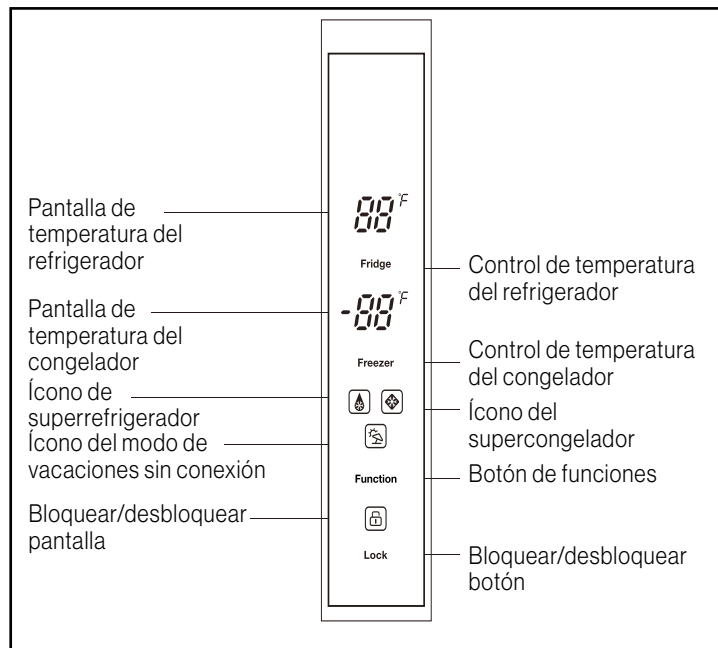
# Operación

## Panel de control

- Se puede acceder a todas las funciones y controles de la unidad desde un panel de control que está cómodamente ubicado en la parte frontal de la puerta. Un tablero de circuito de visualización permite la fácil configuración de las funciones y los ajustes de manera simple e intuitiva.
- El tablero de visualización tiene cuatro botones. Oirá un pitido breve cuando presione los botones.
- Para garantizar la operación normal del refrigerador, recomendamos que, cuando encienda el refrigerador por primera vez, configure la temperatura del compartimento del refrigerador en 41 °F y la del congelador en 0 °F.
- No obstante, la configuración exacta debe elegirse teniendo en cuenta que la temperatura interna dependerá de lo siguiente:
  - Temperatura ambiente
  - Frecuencia con que se abre la puerta
  - Cantidad de comida almacenada
  - Ubicación del electrodoméstico

### NOTA:

- El refrigerador arranca en el modo predeterminado de ahorro de energía, lo cual ahorra energía y prolonga la vida útil de las luces LED. La pantalla se ilumina durante 20 segundos y luego se apaga.



## Selección de funciones

Presione el botón **Function** (función) para seleccionar la secuencia de **Off Grid Vacation Mode (modo de vacaciones sin conexión) > Super Freezer Mode (modo supercongelador) > Super Fridge Mode (modo superrefrigerador)**.

Detenga el ciclo en la configuración deseada para seleccionar modo. Y se iluminará el icono del modo correspondiente.

## Encendido/apagado

- Mantenga presionado el botón **Function** durante 5 segundos para encender o apagar el modo de baja potencia del refrigerador.
- La pantalla de la temperatura se ilumina con --, mantenga presionado el botón **Function** durante 5 segundos para volver a encender el refrigerador.

## Off Grid Vacation Mode (modo de vacaciones sin conexión)

En este modo, el refrigerador funciona a 43 °F (6 °C) y el congelador funciona a 5 °F (-15 °C).

Configurar este modo puede ayudar a conservar energía después de desconectar la corriente externa, y usar solo la fuente de alimentación de 12 V CC y de energía solar. Abra las puertas con menos frecuencia y déjelas abiertas menos tiempo. Los alimentos sensibles deben consumirse más rápido y guardarse en la parte de atrás del refrigerador para mantener la frescura.

### Para optimizar el rendimiento del funcionamiento de la fuente de alimentación de 12 V CC:

- Asegúrese de que el refrigerador y los alimentos almacenados estén a la temperatura deseada antes de desconectar la corriente externa.
- Evite agregar grandes cantidades de elementos calientes, en especial bebidas, al mismo tiempo a menos que ya se hayan enfriado.
- Es mejor agregar nuevos elementos en la mañana para usar la energía solar (si está disponible) durante el día para bajar la temperatura sin consumir la capacidad de la fuente de energía de 12 V CC.

## Super Freezer Mode

Cuando se selecciona este modo de supercongelador, el compresor funcionará continuamente para congelar los alimentos más rápido y mantenerlos frescos. El modo de supercongelador se apaga automáticamente después de 24 horas de funcionamiento o cuando el sensor del congelador llega a -18 °F (-28 °C). Se apagará el icono de supercongelador, y el congelador continuará funcionando con la última temperatura que configuró antes.

## Super Fridge Mode

Cuando se selecciona el modo de superrefrigerador, el compartimento del refrigerador llega a la temperatura configurada en el período más corto para mantener los alimentos lo más frescos posibles. En este modo, la temperatura configurada del compartimento del refrigerador queda fija en 32 °F (0 °C). El programa funciona durante 150 minutos y se apaga automáticamente, se apaga el icono de superrefrigerador, lo cual indica que se deshabilitó la función de superrefrigerador y comienza a funcionar en el modo configurado anterior.

## Controles

### Ajustes del refrigerador

Puede cambiar la temperatura o los ajustes del compartimento del refrigerador presionando el icono "**Fridge**" (refrigerador) debajo de la pantalla de la temperatura.

La temperatura predeterminada del compartimento del refrigerador es 41 °F (5 °C). Para cambiar la temperatura, presione el botón "**Fridge**" para ver el ciclo de temperaturas: 41 °F (5 °C) > 39 °F (4 °C) > 38 °F (3,5 °C) > 36 °F (2 °C) > 34 °F (1 °C) > 32 °F (0 °C) > 43 °F (6 °C). Detenga el ciclo cuando se seleccione la configuración deseada.

### Ajustes del congelador

Puede cambiar la temperatura o los ajustes del compartimento del refrigerador presionando el "**Freezer**" (congelador) debajo de la pantalla de la temperatura.

La temperatura predeterminada del compartimento del refrigerador es 0 °F (5 °C). Para cambiar la temperatura, presione el botón "**Freezer**" para ver el ciclo de temperaturas: 0 °F (-18 °C) > -2 °F (-19 °C) > -4 °F (-20 °C) > -6 °F (-21 °C) > -8 °F (-22 °C) > -10 °F (-23 °C) > 5 °F (-15 °C) > 4 °F (-15,5 °C) > 2 °F (-16,5 °C).

Detenga el ciclo cuando se seleccione la configuración deseada.

### Bloqueo/desbloqueo

- Este refrigerador puede bloquear el panel de control para que no se active por accidente.
- Todos los botones se bloquean si presiona el botón **Lock/Unlock** (bloque/desbloqueo).
- El icono de bloqueo se ilumina cuando se bloquea el panel de control.
- Mantenga presionado el botón **Lock/Unlock** durante 3 segundos para desbloquearlo. Y ya no aparecerá el icono de bloqueo.

### Alarma de puerta abierta

Cuando se deja abierta la puerta del refrigerador por más de 1 minuto, sonará una alarma que indica que la puerta está abierta. Cuando se cierra la puerta, el sonido de la alarma se apaga automáticamente.

## Almacenamiento de alimentos

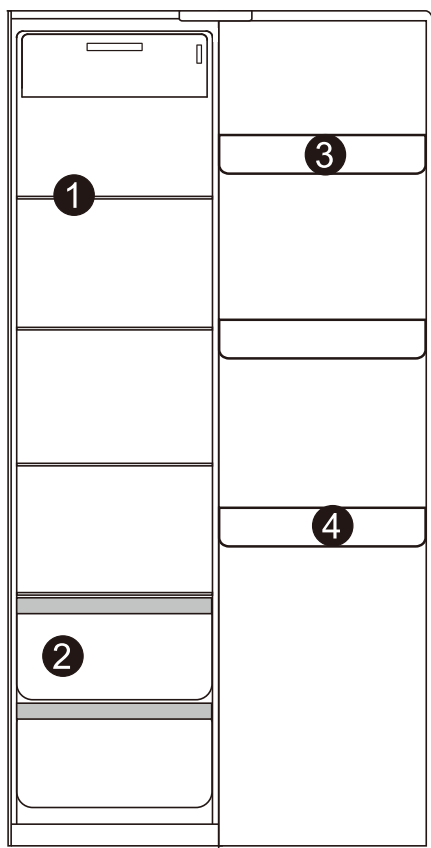
### ¡IMPORTANTE!

- Al almacenar alimentos congelados, colóquelos dentro de la cámara del congelador, en lugar de la bandeja para botellas.
- No coloque alimentos embotellados o enlatados en la cámara del congelador para evitar que se rompan.
- Antes de colocar alimentos calientes en el refrigerador, primero enfrielos a temperatura ambiente; de lo contrario, aumentará el consumo de energía.
- Marque la fecha de congelación en el envase de acuerdo con la diferente duración de los alimentos almacenados para evitar que superen el límite de tiempo de congelación.
- Divida los alimentos en partes adecuadas y enváelos separados para que se congelen bien y que no se peguen.
- Los materiales de envasado deben ser inodoros, herméticos y no tener contaminantes, de modo que los alimentos envasados no tomen otros olores y no disminuya su calidad.
- No coloque demasiados alimentos frescos en la cámara del congelador a la vez, y que preferentemente no superen la capacidad de congelación del refrigerador.
- Los alimentos descongelados no se pueden volver a congelar, a menos que se hayan cocinado; de lo contrario, su apariencia se verá afectada.
- No se deben colocar botellas ni contenedores de vidrio en la cámara del congelador o en la salida de aire del conducto de la cámara del refrigerador, de lo contrario, pueden explotar.
- Los alimentos no deben obstruir la salida de aire, de lo contrario, habrá una circulación anormal de aire.

## Cámara del refrigerador

La cámara del refrigerador se usa principalmente para guardar alimentos que se conservan durante poco tiempo.

La cámara del refrigerador es adecuada para guardar frutas, verduras, bebidas y otros alimentos que se consumirán en poco tiempo. Se sugiere sellar los alimentos en un contenedor y luego colocarlos en el refrigerador.



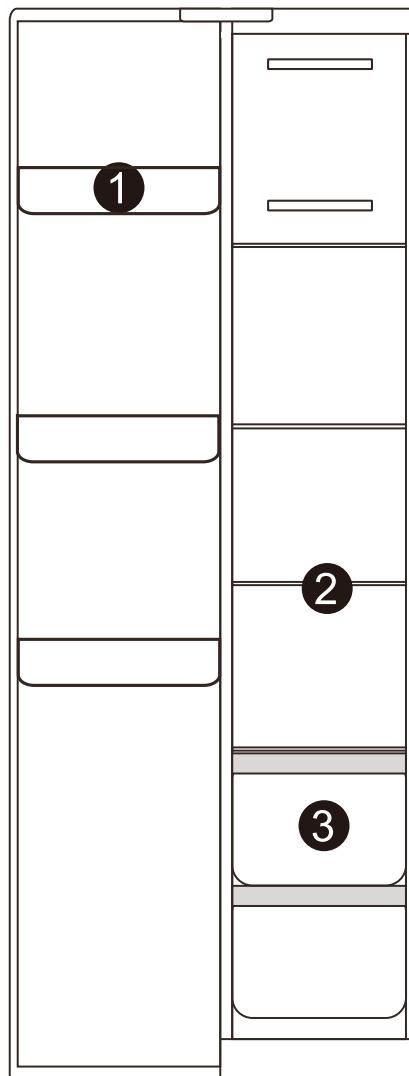
Artículo	Descripción	
1	Estantes de vidrio	Bebidas, alimentos de trigo, leche, etc.
2	Cajón	Frutas, verduras, etc.
3	Bandeja superior	Productos lácteos, alimentos con olor, etc.
4	Bandeja para botellas	Alimentos envasados estrechos, etc.

## Cámara del congelador

La cámara del congelador se usa para congelar alimentos, guardar alimentos ya congelados y hacer cubos de hielo.

Puede conservar los alimentos durante mucho tiempo.

La cámara del congelador es adecuada para conservar la frescura de los alimentos durante mucho tiempo. Al guardar carne, se sugiere cortarla en trozos que sean fáciles de sacar y marcar la fecha de congelación para evitar que los alimentos superen el límite de tiempo.



Artículo	Descripción	
1	Bandeja para botellas superior	Elementos congelados pequeños
2	Estante de vidrio	Alimentos congelados, como pescado, carne y helado
3	Cajón	Alimentos congelados envasados, etc.

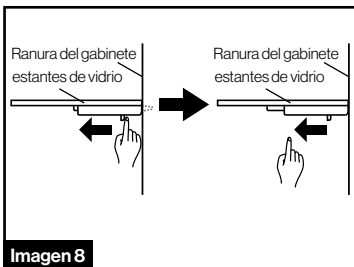
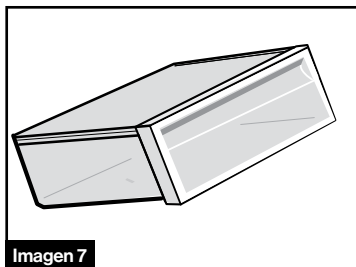
## Accesorios

### Cajón de frutas y verduras

La cámara del refrigerador tiene un cajón para frutas y verduras, donde se puede retener la humedad de las frutas y las verduras, y mantiene la humedad del cajón correctamente. Es adecuado para guardar frutas y verduras. (Fig. 7)

### Estantes de vidrio

Al retirar los estantes, presione el pasador móvil que está debajo del estante con ambas manos y empuje hacia adentro al mismo tiempo. Luego se retirará el estantes de vidrio. (Fig. 8)



### Estantes para botellas

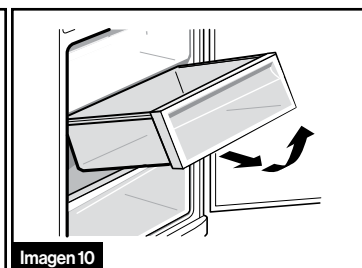
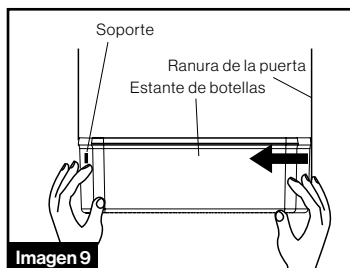
**Desmontaje:** Sostenga ambos lados del estante para botellas con ambas manos. Empújelo desde los lados sin el soporte y empujelo hacia adentro en la dirección de la flecha. Al presionar con fuerza, tenga en cuenta que la hebilla del borde del estante para botellas se

separa de la ranura del revestimiento. Ya se puede retirar el estante para botellas.

**Instalación:** Sostenga ambos lados del estante para botellas con ambas manos. Primero instale la hebilla del lado del soporte. Luego empuje el otro lado hacia adentro suavemente, ya se puede sujetar la hebilla. (Fig. 9)

### Cajón de la cámara del congelador

El cajón superior de la cámara del congelador puede congelar y almacenar grandes volúmenes de alimentos, y el cajón inferior se usa principalmente para guardar alimentos congelados. (Fig. 10)



## ⚠ PRECAUCIÓN

Para evitar daños del revestimiento, limpie el refrigerador de inmediato cuando se derraman líquidos o alimentos. Las comidas o líquidos aceitosos, como una sopa, pueden provocar grietas o corrosión en el revestimiento.

# Limpeza y mantenimiento

## ⚠ PELIGRO

### ¡CHOQUE ELÉCTRICO!

Siempre desconecte la electricidad antes de limpiar o hacer el mantenimiento.

- No limpie el electrodoméstico con objetos metálicos, limpiadores de vapor, aceites etéreos, solventes orgánicos o limpiadores abrasivos.
- No use objetos filosos para retirar la escarcha del electrodoméstico.
- Use a rasqueta de plástico.

## Limpeza exterior

## ⚠ PRECAUCIÓN

No use disolvente, detergente para vehículos, Clorox, aceites etéreos, limpiadores abrasivos o solventes orgánicos, como benceno, para la limpieza ya que pueden dañar la superficie del electrodoméstico y pueden provocar un incendio.

Para mantener el buen aspecto del electrodoméstico, debe limpiarlo regularmente.

Limpie el panel digital y la pantalla con un paño limpio y suave.

Rocíe agua en el paño de limpieza en lugar de rociarla directamente en la superficie del electrodoméstico. Esto ayuda a distribuir mejor la humedad en la superficie.

Limpie la superficie de las puertas y de los gabinetes con un detergente suave y luego séquelos con un paño suave.

### ¡IMPORTANTE!

- Retire los alimentos del electrodoméstico antes de la limpieza. Guárdelos en un lugar fresco y bien cubiertos.
- Nunca limpie el electrodoméstico con un limpiador de vapor. Se podría acumular humedad en los componentes eléctricos.

## Limpeza interior

Debe limpiar el interior del electrodoméstico regularmente. Siga los pasos a continuación:

- Retire toda la comida.
- Limpie la parte interna del congelador con una solución suave de bicarbonato sódico y luego enjuáguela con agua tibia usando una esponja o un paño.
- Séquela por completo antes de reemplazar los estantes y los cestos. Seque bien toda la superficie y las piezas desmontables.

Aunque este electrodoméstico se desescarcha automáticamente, puede haber una capa de escarcha en las paredes internas del congelador si la puerta se abre con frecuencia o se deja abierta mucho tiempo.

Si la escarcha es demasiado gruesa, haga lo siguiente:

- Retire todos los alimentos y cestos de accesorios, apague el suministro de alimentación del refrigerador y deje las puertas abiertas.
- Ventile bien la habitación para acelerar el proceso de descongelación.
- Cuando se haya descongelado totalmente, limpie el congelador como se describe arriba.

## ⚠ PRECAUCIÓN

Únicamente después de que se seque por completo la parte interior, se puede encender el electrodoméstico.

## Descongelación

Este electrodoméstico tiene una función de desescarche automática sin operación manual.

## Limpeza de las juntas de las puertas

Mantenga las juntas de las puertas limpias. Los alimentos y las bebidas pegajosas pueden hacer que las juntas del gabinete se peguen y se rompan al abrir la puerta.

Lave las juntas con un detergente suave y agua tibia.

Enjuáguelas y séquelas bien después de limpiarlas.

**NOTA:** Únicamente después de que se sequen por completo las juntas de las puertas, se puede encender el electrodoméstico.

## Consejos para almacenar alimentos congelados

Para lograr el mejor rendimiento de este electrodoméstico, haga lo siguiente:

- Asegúrese de pasar los alimentos congelados de la tienda al congelador en el menor tiempo posible.
- No abra la puerta con frecuencia ni la deje abierta más tiempo del que sea necesario.
- Una vez descongelados, los alimentos se deterioran rápidamente y no se pueden volver a congelar.
- No exceda el período de almacenamiento indicado por el fabricante de los alimentos.
- Los vapores calientes pueden provocar daños a las piezas de plástico.
- Los aceites etéreos y los solventes orgánicos, por ejemplo, el jugo de limón o de la piel de una naranja, ácido butírico, un limpiador que tenga ácido acético, pueden atacar las piezas de plástico. No permita que esas sustancias entren en contacto con las piezas del electrodoméstico.
- No use limpiadores abrasivos.
- Limpie el electrodoméstico y los accesorios internos con un paño y agua tibia. También se pueden usar detergentes lavavajillas comerciales.
- Después de la limpieza, repáselo con agua y un paño limpio.
- Verifique el orificio de drenaje de agua en la pared trasera del compartimento del refrigerador. Destápelo si está tapado con la ayuda de algo como un gancho blando teniendo cuidado de no dañar el gabinete.
- Una vez que todo esté seco, vuelva a poner en servicio el electrodoméstico.

## Consejos para la refrigeración

- Carnes (todo tipo): envuélvalas en bolsas de polietileno (plástico) y colóquelas en el estante de vidrio sobre el cajón de verduras. Para evitar intoxicación o contaminación alimentaria, guarde las carnes bien envueltas durante uno o dos días únicamente.
- Alimentos cocinados, platos fríos: deben cubrirse y pueden colocarse en cualquier estante.
- Frutas y verduras: límpialos bien y colócalos en el cajón especial proporcionado.
- Lácteos: colóquelos en una lámina de aluminio o en bolsas de polietileno (plástico) quitando la mayor cantidad de aire posible.
- Botellas de leche: guárdelas tapadas en la bandeja para botellas de la puerta.

## Viajes

El refrigerador está diseñado para funcionar durante el traslado normal del vehículo. Consulte las siguientes pautas para el transporte.

- Viaje siempre con las puertas cerradas y asegúrese de que no se abran durante el viaje.
- Evite viajar con alimentos en la cavidad. Espere a llegar al destino y retire los alimentos restantes antes de partir.
- Coloque el refrigerador en "OFF" (modo de baja potencia) se desplaza o sube por pendientes fuera de la carretera. El aceite del compresor debe reasentarse dentro de las 2 horas.
- Asegúrese de que el refrigerador haya alcanzado una temperatura estable deseada antes de viajar. Evite almacenar objetos sensibles a la temperatura en el refrigerador mientras viaja, a menos que haya disponible una fuente de alimentación de 12 V CC. Durante el remolque, el refrigerador puede funcionar normalmente, mientras que el vehículo remolcado tenga la fuente de alimentación de 12 V CC. Consulte el modo de vacaciones sin conexión para conservar energía.
- Una vez que llegue a su destino, use el refrigerador como se indica en este manual.

## GUARDADO/HIBERNACIÓN

- Se debe usar un mantenedor de alimentación de 12 V CC para el guardado prolongado a fin de mantener la carga completa.
- Si el electrodoméstico está guardado y no estará en funcionamiento, desconecte la alimentación, limpie bien el interior y deje las puertas abiertas para evitar olores anormales.
- A fin de prevenir la rápida descarga de las baterías, el refrigerador puede apagarse para que entre en el modo de baja potencia. Ambas pantallas de temperatura mostrarán "--". Presione el botón **FUNCTION** durante 5 segundos para encender el ciclo ON/OFF (encendido/apagado).
- En el modo de baja potencia, las luces internas, el compresor y el eliminador de escarcha se apagan.

## Corte de energía

- Generalmente, un corte breve de energía no afectará la temperatura del refrigerador. No obstante, si el corte dura mucho tiempo, abra con menos frecuencia el refrigerador y no coloque alimentos frescos en el refrigerador (evite que el aumento de temperatura del refrigerador se acelere).
- Si sabe que habrá un corte de energía, puede encender la función de supercongelador de antemano para mantener la temperatura del refrigerador en el menor valor.

## Apagado

- Generalmente, no se recomienda apagar el refrigerador ni interrumpir la energía; de lo contrario, la vida útil del refrigerador podría verse afectada.

## Consejos para ahorrar energía

- Asegúrate de mantener el refrigerador alejado de fuentes de calor y de la luz solar directa.
- Antes de guardar alimentos calientes, enfríelos a temperatura ambiente y luego colóquelos en el refrigerador.
- Cierre la puerta pronto, ábrala con menos frecuencia y no la deje abierta mucho tiempo.
- Cuando descongele alimentos, puede colocarlos en la cámara del refrigerador, lo cual favorecerá la refrigeración en la cámara.
- Asegúrese de que el sensor de temperatura no esté cubierto ni bloqueado con alimentos, y mantenga una distancia adecuada entre los alimentos.

# Solución de problemas

## ⚠️ ADVERTENCIA

Antes de resolver algún problema, desconecte la fuente de alimentación.

Solo ingenieros de mantenimiento competentes pueden hacer reparaciones de refrigeradores/congeladores. Las reparaciones incorrectas pueden provocar peligros significativos para el usuario. Si su electrodoméstico necesita alguna reparación, contáctese con su distribuidor especialista o centro de servicio local.

### ¡IMPORTANTE!

Cuando se enciende el compresor, el refrigerador hace algunos sonidos/ruidos, como gorgoteos, lo cual es perfectamente normal.

## Fenómenos normales

Fenómeno	Solución
<b>Falla de botones</b>	Verifique el tablero de control para ver si el refrigerador está en modo de bloqueo. Cuando está en modo de bloqueo, no funciona ningún botón.
<b>Bajo voltaje, el compresor no enciende.</b>	Cargue las baterías del RV conectando el RV a la corriente externa.
<b>Tarda mucho tiempo en encender.</b>	Cuando la temperatura ambiente es alta, tardarán un tiempo en enfriarse los compartimentos.
<b>Las vigas del medio están calientes.</b>	Las vigas del medio están calientes después de que el electrodoméstico funcione durante algún tiempo, es un fenómeno normal.
<b>Gotas de condensación</b>	Cuando fluye aire desde afuera hasta la superficie interna fría del refrigerador, se pueden formar gotas de condensación. Si la humedad del lugar de instalación es alta o si es temporada de lluvia, se pueden formar gotas de condensación en la parte externa del refrigerador. Es un fenómeno natural que ocurre cuando el clima es húmedo. Limpie las gotas de agua con un paño seco.
<b>Ruidos</b>	Cuando pone en funcionamiento por primera vez el refrigerador, funcionará a una velocidad alta para enfriar rápido y el ruido puede ser más fuerte. Cuando la temperatura interna baja a menos de cierto nivel, disminuirá el ruido. Cuando se está encendiendo el compresor, o cuando se apaga, varias piezas pueden expandirse o contraerse. Esto puede generar algunos sonidos o ruidos, lo cual es perfectamente normal.
<b>Compresor caliente</b>	En funcionamiento, la temperatura de la carcasa del compresor puede subir a más de 176 °F (80 °C); no toque el compresor, puede provocar lesiones graves.
<b>Compresor funciona mucho tiempo.</b>	Cuando la temperatura ambiente es demasiado alta o hay muchos alimentos frescos en el refrigerador, tardará más tiempo en enfriar hasta que el electrodoméstico funcione a la temperatura configurada.
<b>No funciona la luz.</b>	Contáctese con el fabricante.
	Si la puerta se deja abierta mucho tiempo, las luces se desactivarán. Cierre y vuelva a abrir la puerta para desactivarlo.
<b>Ambas pantallas de temperatura muestran "...” y las luces interiores están apagadas.</b>	El refrigerador está en el modo de baja potencia. Presione y mantenga presionado el botón Function durante 5 segundos para salir del modo de baja potencia.

## Solución de problemas

Antes de contactarse con Atención al cliente de Furrion, haga lo siguiente:

1. Intente resolver el problema siguiendo los puntos descritos en la tabla a continuación.
2. Apague el electrodoméstico y vuelva a encenderlo para ver si la falla continúa.

Problema	Causa posible	Solución
<b>No hay visualización en el panel.</b>	El electrodoméstico no está encendido.	Encienda el electrodoméstico.
	Las baterías del RV están vacías.	Recargue la fuente de alimentación de 12 V CC (conectando el RV a la corriente externa).
	El fusible se quemó o es defectuoso.	Revise el fusible, reemplácelo si es necesario.
	Los cables de conexión CC funcionan en forma intermitente/ están rotos.	Un electricista debe corregir estos defectos.
<b>Sonido de alarma</b>	La puerta está ligeramente abierta o no se cerró por más de 1 minuto.	Cierre la puerta completamente.
<b>El compresor no funciona.</b>	En modo de desescarche	Es normal para el desescarche.
	El voltaje de la fuente de alimentación de 12 V CC es demasiado alto o el voltaje de 12 V CC es demasiado bajo.	Cargue/reemplace la fuente de alimentación de 12 V CC.
<b>Ruido de vibración</b>	El piso está desnivelado o es débil.	Asegúrese de que el piso esté nivelado y sea sólido, y que soporte correctamente el refrigerador.
	Los objetos colocados sobre el refrigerador están vibrando.	Retire los objetos.
	El refrigerador toca la pared o el gabinete.	Mueva el refrigerador de modo que no toque la pared ni el gabinete.
<b>Capa de escarcha en el compartimento</b>	Salidas de aire obstruidas	Compruebe que las salidas de aire no estén obstruidas, asegúrese que los alimentos colocados en el refrigerador tengan suficiente ventilación.
<b>Las puertas no se pueden cerrar fácilmente.</b>	Bloqueo	<ul style="list-style-type: none"> <li>• Compruebe que no haya nada adentro bloqueando la puerta.</li> <li>• Incline el refrigerador hacia atrás para activar el mecanismo de cierre automático.</li> </ul>
<b>No funciona la luz.</b>	LED dañada	Contáctese con el fabricante.
	Luces del sistema de control desactivadas	Si la puerta se deja abierta mucho tiempo, las luces se desactivarán. Cierre y vuelva a abrir la puerta para desactivarlo.

Español

## Especificaciones

Especificaciones	
Capacidad total	15,6 pies cúbicos (442 L)
Capacidad del congelador	6,08 pies cúbicos (172 L)
Capacidad del refrigerador	9,54 pies cúbicos (270 L)
Ruidos (dB)	≤42 dB
Tipo de puerta	Doble puerta
Mango	Empotrado
Tipo de control	Pantalla LED con control electrónico
Cant. de estantes	6
Cant. de cajones	4
Tipo de enfriamiento	Sistema de enfriamiento a compresión

Especificaciones	
Refrigerante	R600a
Voltaje nominal	CC 12 V
Corriente nominal	19 A (≤ 20 A)
Consumo de energía	667 kWh/año
Clasificación sin conexión	5,3 Ah a 77 °F (25 °C)
Rango de temperatura	Refrigerador: De 32 °F a 43 °F (de 0 °C a 6 °C) ajustable Congelador: De -10 °F a 5 °F (de -23 °C a -15 °C) ajustable
Rango de temperatura en funcionamiento	De 50 °F a 110 °F (de 10 °C a 43 °C) ajustable
Desescarche	Automático
Certificación	CSA



# FURRION®

Furrion, LLC (Furrion) are wholly owned subsidiaries of Lippert Components, Inc. (Lippert)  
Furrion, LLC (Furrion) sont des filiales en propriété exclusive de Lippert Components, Inc. (Lippert)  
Furrion, LLC (Furrion) son subsidiarias de propiedad total de Lippert Components, Inc. (Lippert)  
Furrion, LLC: 52567 Independence Ct., Elkhart, IN, 46514

Furrion Innovation Center & Institute of Technology  
Centre d'innovation et institut de technologie Furrion  
Centro de Innovación e Instituto de Tecnología Furrion  
22244 Innovation Drive, Elkhart, IN 46514-5514, USA  
Toll free/Numéro gratuit/Línea telefónica gratuita:1-800-789-3341  
Email/Courriel/Correo electrónico: customerservice@lci1.com

©2007-2025 Furrion, LLC. All rights reserved.  
©2007-2025 Furrion, LLC. Tous droits réservés.  
©2007-2025 Furrion, LLC. Reservados todos los derechos.

For Patent Info: [www.Lippert.com/patents](http://www.Lippert.com/patents)  
Pour des informations sur les brevets: [www.Lippert.com/patents](http://www.Lippert.com/patents)  
Para información sobre patentes: [www.Lippert.com/patents](http://www.Lippert.com/patents)

[SUPPORT.LCI1.COM/FURRION](http://SUPPORT.LCI1.COM/FURRION)



The contents of this manual are proprietary and copyright protected by Lippert. Lippert prohibits the copying or dissemination of portions of this manual unless prior written consent from an authorized Lippert representative has been provided. Any unauthorized use shall void any applicable warranty. The information contained in this manual is subject to change without notice and at the sole discretion of Lippert. Revised editions are available for free download from [lippert.com](http://lippert.com).

Please recycle all obsolete materials.

Les renseignements contenus dans le présent manuel peuvent seulement être distribués sous forme de document complet, à moins de recevoir l'approbation explicite de Lippert Components pour distribuer des parties individuelles. Tous les renseignements contenus dans le présent manuel peuvent être modifiés sans préavis. Les éditions révisées pourront être téléchargées gratuitement sur le site [lci1.com](http://lci1.com). Ces renseignements sont considérés comme étant factuels jusqu'à ce qu'une version révisée les rende désuets.

Veuillez recycler tout le matériel désuet.

El contenido de este manual es propiedad y está protegido por derechos de autor de Lippert. Lippert prohíbe la copia o difusión de partes de este manual a menos que se haya proporcionado el consentimiento previo por escrito de un representante autorizado de Lippert. Cualquier uso no autorizado anulará cualquier garantía aplicable. La información contenida en este manual está sujeta a cambios sin previo aviso y a la exclusiva discreción de Lippert. Las ediciones revisadas están disponibles para su descarga gratuita desde [lippert.com](http://lippert.com).

Recicle todos los materiales obsoletos.

For all concerns or questions, please contact Lippert.  
Communiquer avec Lippert Components si vous avez des questions ou des préoccupations.  
Si tiene alguna inquietud o pregunta, comuníquese con Lippert.  
Ph: 432-LIPPERT (432-547-7378) | Web: [lippert.com](http://lippert.com) | Email: [customerservice@lci1.com](mailto:customerservice@lci1.com)