



LIPPERT
COMPONENTS®



Solera® Anti-Billowing Device

Installation and Owner's Manual

(For Aftermarket Applications)

Table of Contents

Parts List	2
Introduction	2
Safety	2
Resources Required	3
Installation	3

Solera Anti-Billowing Device Aftermarket Kits	
Part#	Description
728810	Solera Anti-Billowing Device - Black
728811	Solera Anti-Billowing Device - White



LIPPERT
COMPONENTS®

Solera® Anti-Billowing Device

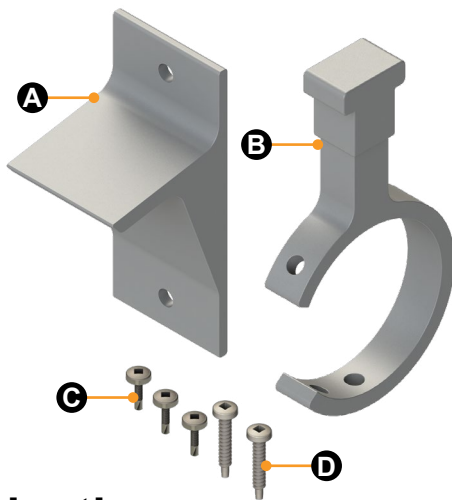
Installation and Owner's Manual

(For Aftermarket Applications)

Parts List

NOTE: Part numbers are shown for identification purposes only. Not all parts are available for individual sale. All parts with a link to the Lippert Store can be purchased.

Letter	Part#	Description	Qty
A	717772	Bracket; Anti-Billow, Slide Topper, 1½ Spacing, Black	1
	717773	Bracket; Anti-Billow, Slide Topper, 1½ Spacing, White	
B	717766	Stop; Anti-Billow, Slide Topper, Black	1
	717767	Stop; Anti-Billow, Slide Topper, White	
C	2020221006	Screw, #8 - 18 x ¾ PNH ZN CD SLFDR ST HBK	3
	2020221007	Screw, #8 - 18 x ¾ PNH ZN CD SLFDR ST HWH	
D	364290	Screw, #8 - 18 x 1 SQ PNH SLFDR ZN PTHD, BLK HD	2
	252593	Screw, #8 - 18 x 1 SQ PNH SLFDR ZN PTHD, WHT HD	



Introduction

The Solera® Anti-Billowing Device is designed for use with Solera® Slider Awnings in order to prevent billowing of the awning while it is in the retracted position. This device installs onto the end cap of the roll tube and the side of the unit and physically stops the awning from extending or billowing due to wind when the slide box is completely closed.

Additional information about this product can be obtained from lci1.com/support or by downloading the free myLCI app. The app is available on iTunes® for iPhone® and iPad® and also on Google Play™ for Android™ users.

iTunes®, iPhone®, and iPad® are registered trademarks of Apple, Inc.

Google Play™ and Android™ are trademarks of Google, Inc.

Safety

Read and understand all instructions before installing or operating this product. Adhere to all safety labels.

This manual provides general instructions. Many variables can change the circumstances of the instructions, i.e., the degree of difficulty, operation and ability of the individual performing the instructions. This manual cannot begin to plot out instructions for every possibility, but provides the general instructions, as necessary, for effectively interfacing with the device, product or system. Failure to correctly follow the provided instructions may result in death, serious personal injury, severe product and/or property damage, including voiding of the LCI limited warranty.

⚠ CAUTION

FAILURE TO SUPPORT AND MAINTAIN CONTROL OF THE ROLL TUBE, FABRIC AND DRIVE/IDLER HEAD ASSEMBLIES DURING INSTALLATION PROCEDURE MAY RESULT IN PERSONAL INJURY OR PRODUCT OR PROPERTY DAMAGE.

⚠ CAUTION

MOVING PARTS CAN PINCH, CRUSH OR CUT. KEEP CLEAR AND USE CAUTION.

⚠ CAUTION

AN UNSTABLE, ROLLING UNIT CAN CREATE AN UNSAFE CONDITION THAT MAY RESULT IN PRODUCT OR PROPERTY DAMAGE OR PERSONAL INJURY. CHECK TIRES BEFORE PERFORMING SERVICE TO PREVENT POSSIBLE PRODUCT OR PROPERTY DAMAGE OR PERSONAL INJURY.



Resources Required

- Cordless or electric drill or screw gun
- #2 square drive bits
- Sealant
- Grease pen

Installation

The Anti-Billowing Device should be installed on the end of the awning that is closest to the front of the unit.

1. Make sure awning is fully retracted.
2. Place the stop (**Fig.1A**) on the end cap of the roll tube of the awning so that the stop is pointing upwards in the 12 o'clock position (**Fig.1**).
3. Use a #2 square drive bit to install three #8-18 x $\frac{3}{4}$ " square pan head self-drilling screws through the mounting holes (**Fig.1B**) and into the end cap.
4. With the slide-out still fully retracted, hold the bracket (**Fig.1C**) against the outside of the unit so the primary surface of the bracket (**Fig.1D**) is in line with the middle of the awning's roll tube (**Fig.1E**).
5. While holding the stop in place, hand turn the roll tube towards the bracket to make sure that the roll tube and stop do not contact the bracket until the end of the stop rests on the bracket. Then, extend the slide-out to make sure the stop does not contact the bracket. If contact is made, readjust as needed.
6. After stop-bracket clearance is verified, mark the location of the bracket with a grease pen.
7. Extend the awning to allow enough clearance for the use of a cordless drill or screw gun. Apply a liberal amount of sealant to the back of the bracket, then place the bracket in the marked location (step 6). Using a cordless drill or screw gun with a #2 drive bit, install two #8-18 x 1" square pan head self-drilling screws (**Fig.2A**) to secure the bracket to the outside surface of the unit's wall.

NOTE: When awning is extended, the stop (**Fig.2B**) may not be in the 12 o'clock position as shown in figure 2.

8. Extend and fully retract the slide-out and awning a few times to verify proper installation.

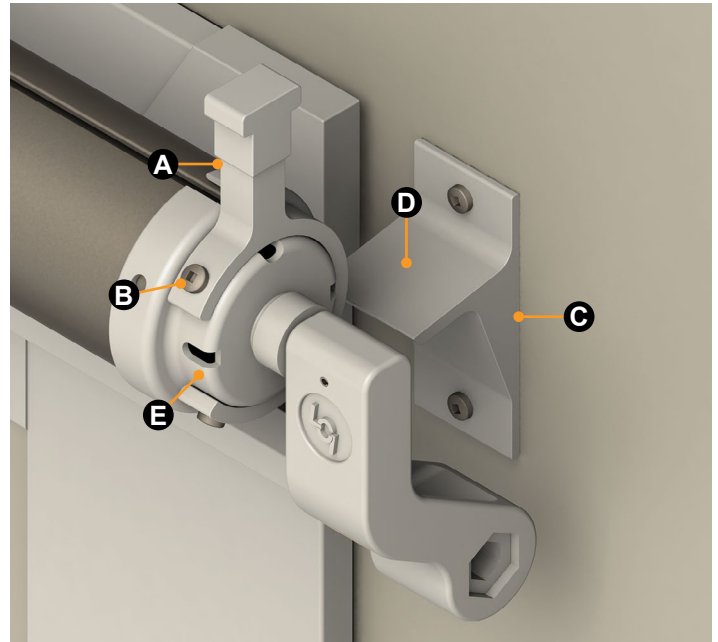


Fig.1

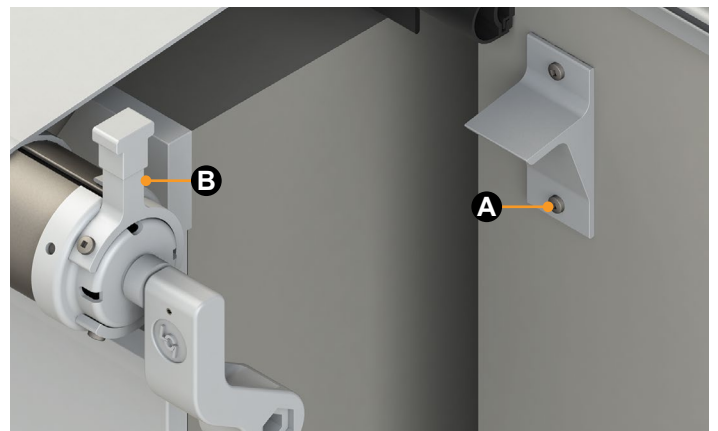


Fig.2

