

Solera[®]

BY  **LIPPERT[™]**

**3000XL SERIES AWNING
OWNER'S MANUAL**



Scan for product support

TABLE OF CONTENTS

Introduction	2
Safety Information	2
Operation	4
Extending the Awning	4
Retracting the Awning	6
Manual Override	7
Adjusting Pitch Arm Fasteners	7
Maintenance	8
Resources Required	8
Fabric Care	8
Notes	9

Introduction

The Solera® 3000XL series awning features an internal motor to steadily operate the awning. Additionally, the pitch arm assembly is adjustable and provides added stability.

Additional information about this product can be obtained from lci1.com/support or by downloading the free LippertNOW app. The app is available on Apple App Store® for iPhone® and iPad® and also on Google Play™ for Android™ users.

Apple App Store®, iPhone®, and iPad® are registered trademarks of Apple Inc.
Google Play™ and Android™ are trademarks of Google Inc.

For additional product support, please visit: <https://support.lci1.com/solera-3000-series-12v-power-awning>

NOTE: Images used in this document are for reference only when assembling, installing and/or operating this product. Actual appearance of provided and/or purchased parts and assemblies may differ.

Safety Information

Read and understand all instructions before installing or operating this product. Adhere to all safety labels.

This manual provides general instructions. Many variables can change the circumstances of the instructions, i.e., the degree of difficulty, operation and ability of the individual performing the instructions. This manual cannot begin to plot out instructions for every possibility, but provides the general instructions, as necessary, for effectively interfacing with the device, product or system. Failure to correctly follow the provided instructions may result in death, serious personal injury, severe product and/or property damage, including voiding of the Lippert limited warranty.



The “WARNING” symbol above is a sign that a procedure has a safety risk involved and may cause death or serious personal injury if not performed safely and within the parameters set forth in this manual.

⚠ WARNING

IMPACT OR CRUSH HAZARD - Pitch MUST be set to lower one side of the awning after the awning is extended. Failure to set pitch could lead to water, snow or debris accumulating on the awning fabric, which could cause the awning to move unpredictably, become unstable, and bend or collapse causing death or personal injury or property damage.

⚠ WARNING

IMPACT OR CRUSH HAZARD - Do NOT adjust pitch manually if there is already pooling water, snow or debris on the awning fabric. Keep the awning arm area clear of people and objects when in operation. Failure to heed these warnings could cause severe personal injury and/or property damage.

⚠ CAUTION

The “CAUTION” symbol above is a sign that a safety risk is involved and may cause personal injury and/or product or property damage if not safely adhered to and within the parameters set forth in this manual.

⚠ CAUTION

The awning MUST be retracted completely during incidents of high wind, heavy rain and/or during any extended time away from the unit. Failure to retract the awning in those instances could cause extensive damage to the awning and unit.

⚠ CAUTION

This manual provides operational procedures for 5000 Series Awning. Operating the 5000 Series Awning in any other manner than described may result in personal injury, damage to the unit or the awning assembly as well as voiding the Lippert Components Limited Warranty.

⚠ CAUTION

Always wear eye protection when performing service, maintenance or installation procedures. Other safety equipment to consider would be hearing protection, gloves and possibly a full face shield, depending on the nature of the task.

⚠ CAUTION

Moving parts can pinch, crush, or cut. Keep clear and use caution.

Operation

⚠️ WARNING

IMPACT OR CRUSH HAZARD - Pitch MUST be set to lower one side of the awning after the awning is extended. Failure to set pitch could lead to water, snow or debris accumulating on the awning fabric, which could cause the awning to move unpredictably, become unstable, and bend or collapse causing death or personal injury or property damage.

⚠️ WARNING

IMPACT OR CRUSH HAZARD - Do NOT adjust pitch manually if there is already pooling water, snow or debris on the awning fabric. Keep the awning arm area clear of people and objects when in operation. Failure to heed these warnings could cause severe personal injury and/or property damage.

⚠️ CAUTION

Tying down the roll tube once the awning is extended will not allow the free-floating support arms to work as designed and may cause damage to the awning or unit.

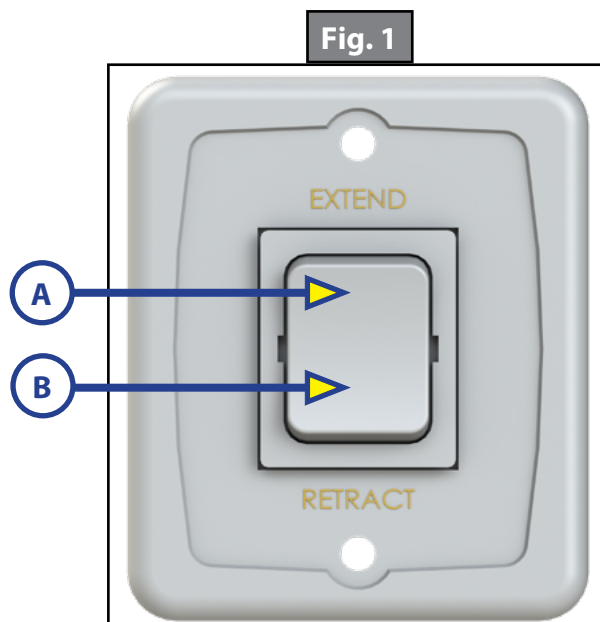
NOTE: Some units may not use the Lippert switch (Fig. 1).

Extending the Awning

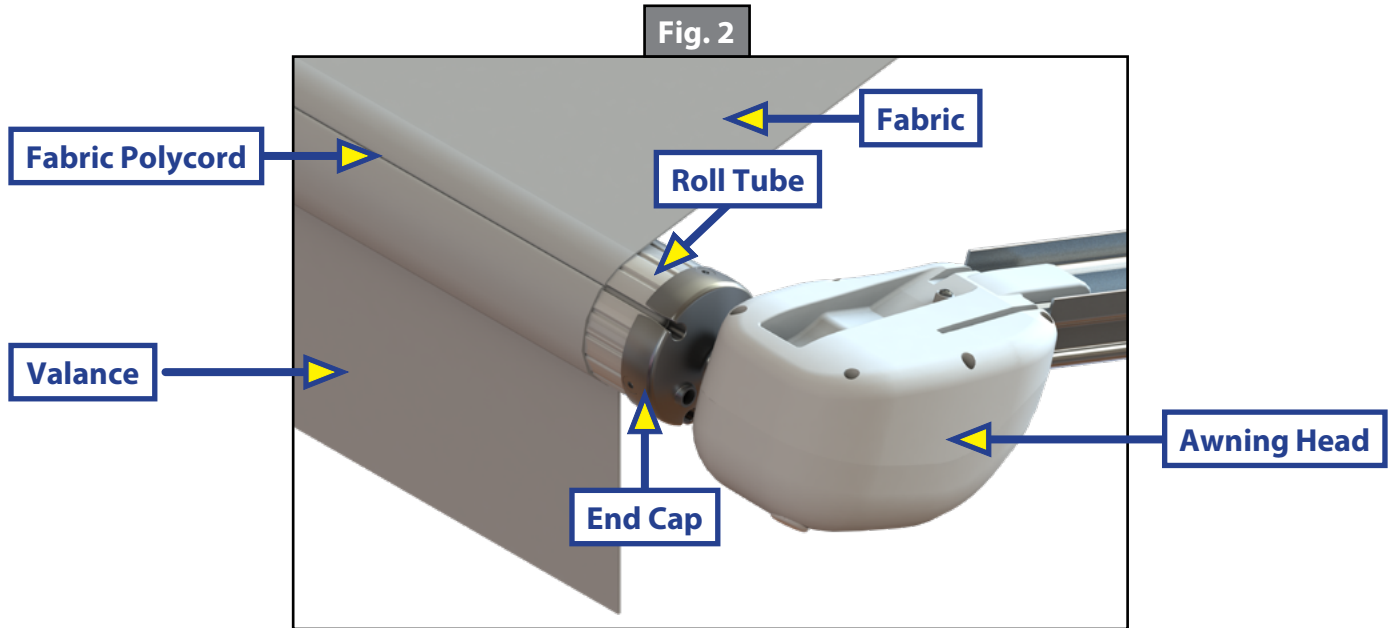
1. Verify the RV battery is fully charged and connected to the electrical system.

NOTE: If the unit is equipped with a locking latch, be sure to unlock the latch prior to extending the awning.

2. Press and hold EXTEND (Fig. 1A) until the awning is extended completely.



NOTE: Extension is considered complete when the fabric is completely unrolled, the valance is hanging down from the roll tube and the awning's single polycord is visible between the 9 and 12 o'clock positions as viewed from the end of the drive head (Fig. 2).



NOTE: The awning fabric should always be above the roll tube. However, if the extend switch is engaged too long or extend is hit inadvertently instead of retract, the awning will roll up backward. This is not a defect. To correct the fabric orientation, press the RETRACT button. The awning will then extend to its correct orientation and normal operation can resume.

4. Set pitch using pitch arms with gas strut (Fig.3A).

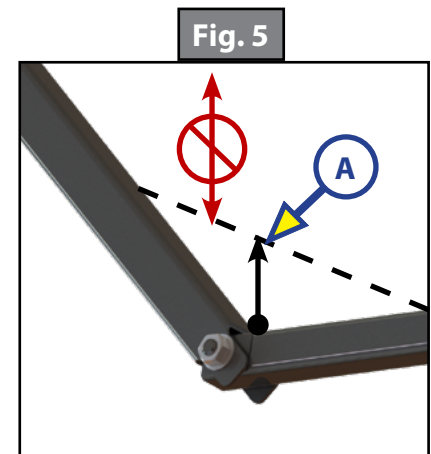
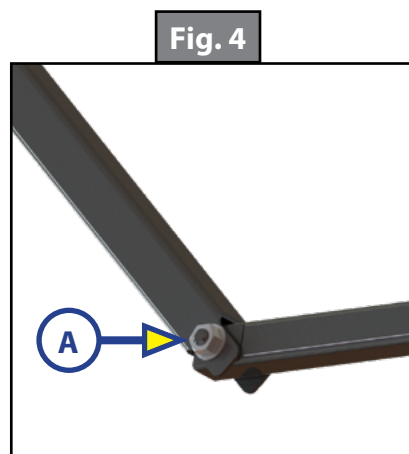
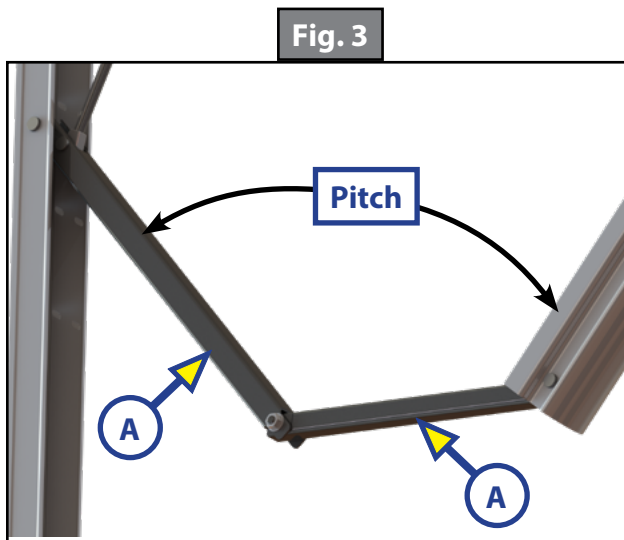
- A. Choose the side of the awning for optimum shade or convenient water runoff. Pitch **MUST** be set by adjusting the articulating arm to tip one side of the awning to allow water runoff. Scan this QR Code to watch the video on How to Correctly Pitch a Lippert Awning.



NOTE: Before manually adjusting pitch, make sure there is no water or snow pooling or debris present on top of the awning fabric. Use a long-handled tool that will not puncture the fabric (e.g. a broom) to push up on the awning fabric to drain off the water, snow or debris.

- B. Pull downward on the joint of the pitch arm until desired pitch is set (Fig. 4). A bolt, Belleville washers and nut (Fig. 5A) allow the joint to remain in the position set by the operator. If pitch arm does not hold position, see "Adjusting Pitch Arm Fasteners" in the Troubleshooting section of this manual.

NOTE: Do not push the joints of the articulating arms up past a straight line (Fig. 6A). This will put tension on the gas strut, which can cause the strut to break.



CAUTION

Tying down the roll tube once the awning is extended will not allow the free-floating support arms to work as designed and may cause damage to the awning or unit.

Retracting the Awning

CAUTION

During incidents of high wind, heavy rain or extended time away from the unit, it is advisable to retract the awning completely to prevent damage to the awning and the unit.

1. Verify the unit's battery is fully charged and connected to the electrical system.

NOTE: The awning can be retracted without resetting the pitch.

2. Press and hold RETRACT (Fig. 1B) until the awning is retracted completely.
3. Locate the locking latch, if equipped, and lock the latch.

NOTE: This latch is optional and may or may not be installed on one or both support arms.

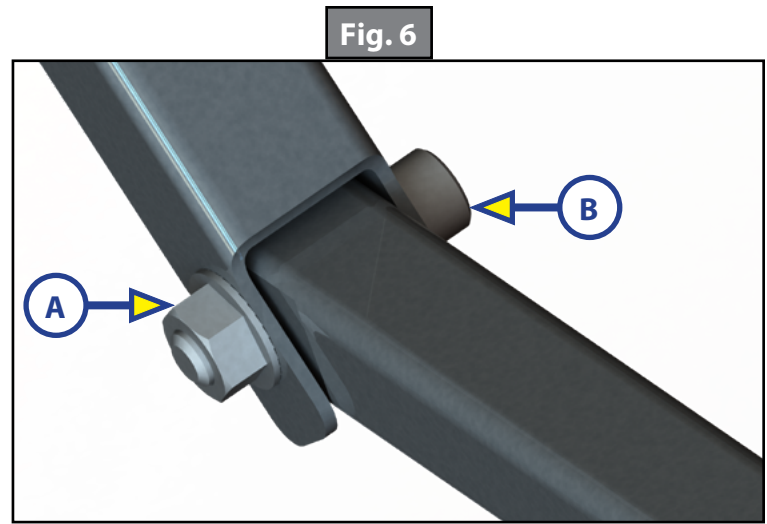
Adjusting Pitch Arm Fasteners

If the pitch arm does not hold position, it can be tightened by adjusting the bolt (Fig. 6A) in the center of the pitch arm.

1. Use a 1/2" wrench to tighten the nut (Fig. 6A) while holding the bolt (6B) on the other side of the pitch arm with a 1/4" hex wrench.

NOTE: When tightening the nut do not tighten more than 1/4 turn at a time and do not tighten to the point of crushing the pitch arm.

NOTE: Existing bolt, Belleville washers and nut are installed in a specific orientation for tensioning. Removal of these components or modification of the orientation will cause adverse effects on the pitch arm functionality.



Manual Override

In the event of power loss or motor failure, the awning can be extended and retracted manually. Perform the following procedure to manually retract the awning.

NOTE: This procedure may also be performed to extend or retract the awning in the event of dry camping or camping without a battery.

1. Remove the rubber grommet (Fig. 7A and 8A) from the drive head assembly, exposing the manual override nut on the motor.

NOTE: The drive head assembly is always located on the right side of the awning as it is viewed from outside of the unit.

2. Using a 7/16" socket and cordless/power drill, spin the manual override nut counterclockwise to retract the awning (Fig. 9).

NOTE: Use caution when retracting the awning manually. The use of a step stool or ladder may be required to completely retract the awning.

3. When the awning is completely retracted, remove socket or drive device and replace the rubber grommet in the drive head assembly (Fig. 7A and 8A).

Fig. 7



Obsolete Drive Head Assembly

Fig. 8



Current Drive Head Assembly

Fig. 9



Maintenance

Resources Required

- 5 gallon bucket
- Clean water
- 1/4 cup of dish soap

Fabric Care



Over-spray of cleaning solution can cause eye and sensitive skin irritation. Flush affected area with clean water and seek medical attention, if necessary. Wear eye protection and appropriate protective clothing to avoid personal injury.



Moving parts can pinch, crush or cut. Keep clear and use caution.

If the awning is retracted while wet, extend the awning and let it dry as soon as conditions allow before retracting. This will help prevent the formation of mildew and add greatly to the life of the awning.

NOTE: Mildew does not form on the fabric itself, but on the accumulated dust, dirt and grime. Periodically clean vinyl or woven acrylic fabric using a mixture of 1/4 cup of dish soap and five gallons of warm water.

1. Liberally apply the mixture on the top of the fabric and retract the awning for five minutes. This will apply the mixture to the bottom of the fabric as well.
2. Extend the awning and hose off with fresh water.
3. Repeat if necessary.
4. Allow to dry before retracting.



The contents of this manual are proprietary and copyright protected by Lippert. Lippert prohibits the copying or dissemination of portions of this manual unless prior written consent from an authorized Lippert representative has been provided. Any unauthorized use shall void any applicable warranty. The information contained in this manual is subject to change without notice and at the sole discretion of Lippert. Revised editions are available for free download from lippert.com.

Please recycle all obsolete materials.

For all concerns or questions, please contact Lippert.

Ph: 432-LIPPERT (432-547-7378) | Web: lippert.com | Email: customerservice@lci1.com