



BY  **LIPPERT™**

# 2000 SERIES AWNING OWNER'S MANUAL



Scan for product support

# TABLE OF CONTENTS

<b>Introduction</b> .....	<b>2</b>
<b>Safety</b> .....	<b>3</b>
<b>Operation</b> .....	<b>4</b>
Extending the Awning .....	<b>4</b>
Adjusting Pitch .....	<b>5</b>
Retracting the Awning .....	<b>6</b>
<b>Troubleshooting</b> .....	<b>6</b>
Resources Required .....	<b>6</b>
Adjusting Pitch Arm Fasteners .....	<b>6</b>
Manual Override .....	<b>7</b>
<b>Maintenance</b> .....	<b>8</b>
Resources Required .....	<b>8</b>
Fabric Care .....	<b>8</b>
<b>Notes</b> .....	<b>9</b>

## Introduction

The Solera® 2000 Series Awning features an internal motor to steadily operate the awning. The awning also features adjustable pitch arms and optional Serenity lighting.

Additional information about this product can be obtained from [lci1.com/support](http://lci1.com/support) or by downloading the free LippertNOW app. The app is available on Apple App Store® for iPhone® and iPad® and also on Google Play™ for Android™ users.

Apple App Store®, iPhone®, and iPad® are registered trademarks of Apple Inc.

Google Play™ and Android™ are trademarks of Google Inc.

For additional support for this product, go to: <https://support.lci1.com/solera-2000-series-power-awning-standard-edge>

**NOTE:** Images used in this document are for reference only when assembling, installing and/or operating this product. Actual appearance of provided and/or purchased parts and assemblies may differ.

## Safety

Read and understand all instructions before operating this product. Adhere to all safety labels. This manual provides general instructions. Many variables can change the circumstances of the instructions, i.e., the degree of difficulty, operation and ability of the individual performing the instructions. This manual cannot begin to plot out instructions for every possibility, but provides the general instructions, as necessary, for effectively interfacing with the device, product or system. Failure to correctly follow the provided instructions may result in death, serious personal injury, severe product and/or property damage, including voiding of the Lippert limited warranty.

### **WARNING**

The "WARNING" symbol above is a sign that a procedure has a safety risk involved and may cause death or serious personal injury if not performed safely and within the parameters set forth in this manual.

### **WARNING**

Failure to follow instructions provided in this manual may result in death, serious personal injury and/or severe product and property damage, including voiding of the component warranty.

### **WARNING**

Unit **MUST** be supported per manufacturer's recommendations before working underneath. Failure to do so may result in death or serious personal injury.

### **WARNING**

**IMPACT OR CRUSH HAZARD** - Pitch **MUST** be set to lower one side of the awning after the awning is extended. Failure to set pitch could lead to water, snow or debris accumulating on the awning fabric, which could cause the awning to move unpredictably, become unstable, and bend or collapse causing death or personal injury or property damage.

### **WARNING**

**IMPACT OR CRUSH HAZARD** - Do **NOT** adjust pitch manually if there is already pooling water, snow or debris on the awning fabric. Keep the awning arm area clear of people and objects when in operation. Failure to heed these warnings could cause severe personal injury and/or property damage.

### **CAUTION**

The "CAUTION" symbol above is a sign that a procedure has a safety risk involved and may cause personal injury, product or property damage if not performed safely and within parameters set forth in this manual.

### **CAUTION**

Always wear eye protection when performing service, maintenance or installation procedures. Other safety equipment to consider would be hearing protection, gloves and possibly a full face shield, depending on the nature of the task.

### **CAUTION**

Moving parts can pinch, crush or cut. Keep clear and use caution.

### **CAUTION**

The awning **MUST** be retracted completely during incidents of high wind, heavy rain and/or during any extended time away from the unit. Failure to retract the awning in those instances could cause extensive damage to the awning and unit.

## Operation

The following instructions provide general operation of the Solera® 2000 Series Awning. However, some units may not use the Lippert switch (Fig. 1).

### Extending the Awning

#### **⚠ WARNING**

**IMPACT OR CRUSH HAZARD - Pitch MUST be set to lower one side of the awning after the awning is extended. Failure to set pitch could lead to water, snow or debris accumulating on the awning fabric, which could cause the awning to move unpredictably, become unstable, and bend or collapse causing death or personal injury or property damage.**

#### **⚠ WARNING**

**IMPACT OR CRUSH HAZARD - Do NOT adjust pitch manually if there is already pooling water, snow or debris on the awning fabric. Keep the awning arm area clear of people and objects when in operation. Failure to heed these warnings could cause severe personal injury and/or property damage.**

#### **⚠ CAUTION**

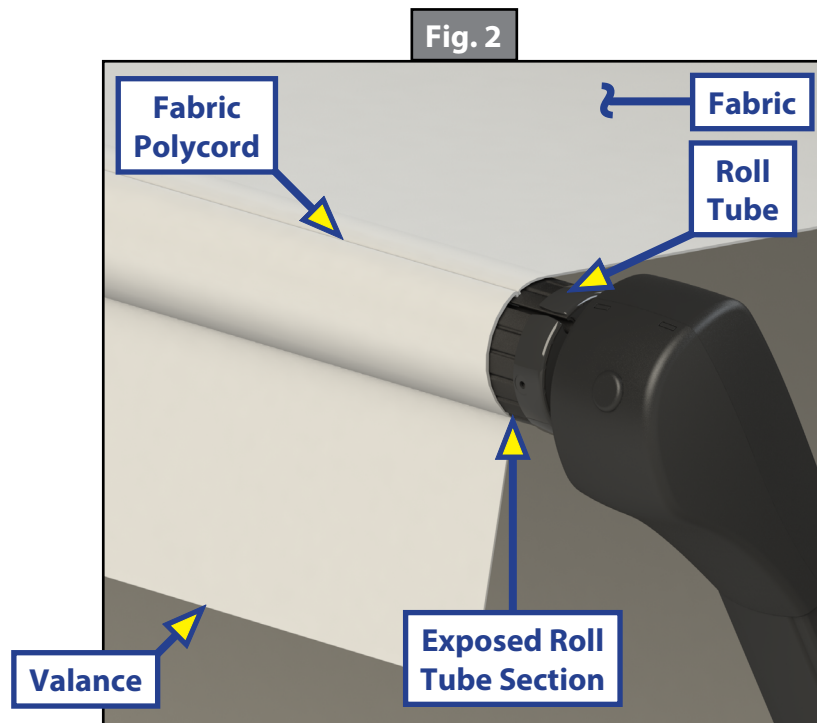
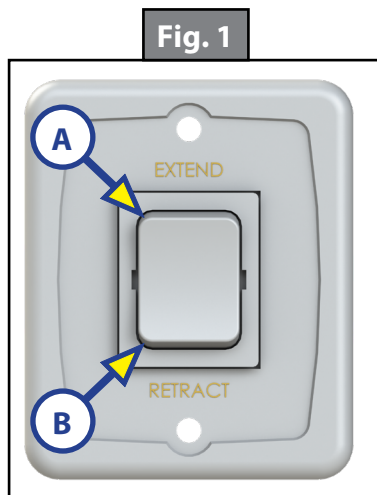
**Tying down the roll tube once the awning is extended will not allow the free-floating support arms to work as designed and may cause damage to the awning or unit.**

1. Verify the RV battery is fully charged and connected to the electrical system.

**NOTE:** If the unit is equipped with a locking latch, be sure to unlock the latch prior to extending the awning.

2. Press and hold EXTEND (Fig. 1A) until the awning is extended completely.

**NOTE:** Extension is considered complete when the fabric is completely unrolled, the valance is hanging down from the roll tube and the awning's single polycord is visible between the 9 and 12 o'clock positions as viewed from the end of the drive head (Fig. 2).



**NOTE:** The awning fabric should always be above the roll tube. However, if the extend switch is engaged too long or extend is hit inadvertently instead of retract, the awning will roll up backward. This is not a defect. To correct the fabric orientation, press the RETRACT button. The awning will then extend to its correct orientation and normal operation can resume.

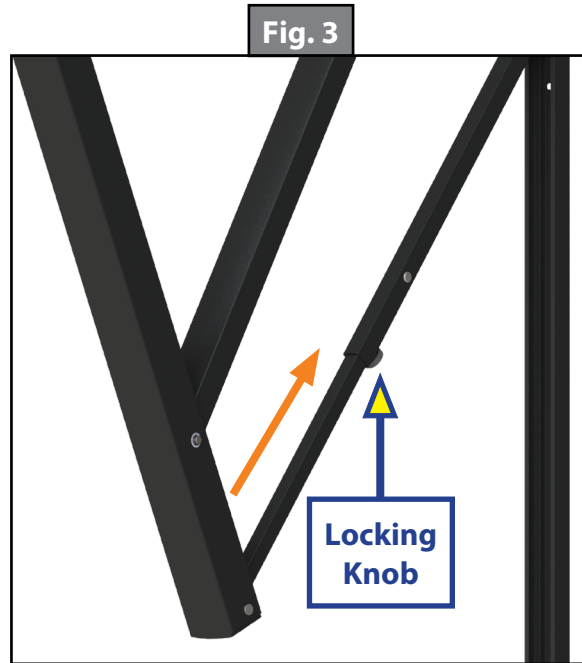
## Adjusting Pitch

Choose the side of the awning for optimum shade or convenient water runoff. Pitch **MUST** be set by adjusting the articulating arm to tip one side of the awning to allow water runoff.

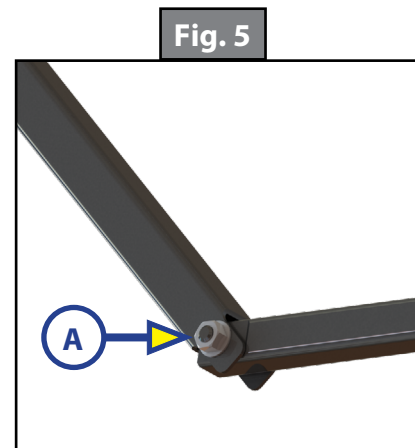
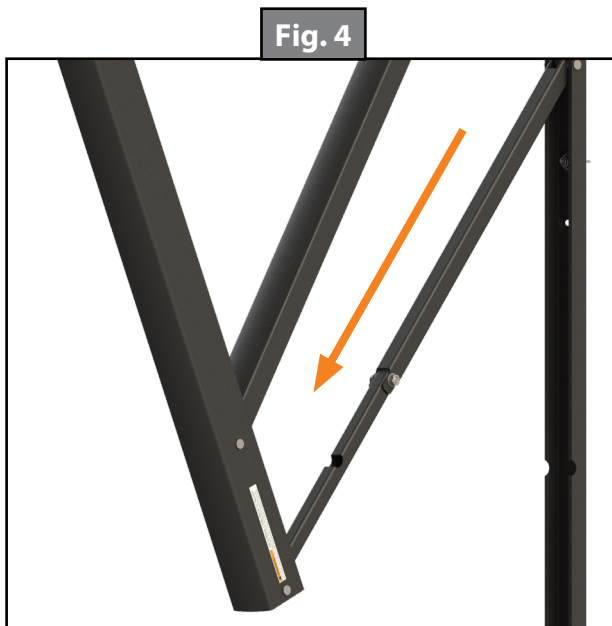
**NOTE:** Before manually adjusting pitch, make sure there is no water or snow pooling or debris present on top of the awning fabric. Use a long-handled tool that will not puncture the fabric (e.g., a broom) to push up on the awning fabric to drain off the water, snow or debris.

There are two styles of pitch arms available in 2000 Series Awnings:

1. If the awning has a locking knob (Fig. 3) set pitch by loosening the locking knob, sliding the pitch arm up to the desired position then tightening the locking knob in to secure the position.



2. If the awning does not have a locking knob (Fig. 4) pull down on the pitch arm and release the arm in the desired position.
  - A. Pull downward on the joint of the pitch arm until desired pitch is set (Fig. 5). A bolt, Belleville washers and nut (Fig. 5A) allow the joint to remain in the position set by the operator. If pitch arm does not hold position, see "Adjusting Pitch Arm Fasteners" in the Troubleshooting section of this manual.



## Retracting the Awning

### **⚠ CAUTION**

The awning **MUST** be retracted completely during incidents of high wind, heavy rain and/or during any extended time away from the unit. Failure to retract the awning in those instances could cause extensive damage to the awning and unit.

4. Verify the unit battery is fully charged and connected to the electrical system.

**NOTE:** The awning can be retracted without resetting the pitch.

5. Press and hold RETRACT (Fig. 1B) until the awning is retracted completely.

**NOTE:** If the unit is equipped with a locking latch, be sure to engage the latch after retracting the awning.

## **Troubleshooting**

### Resources Required

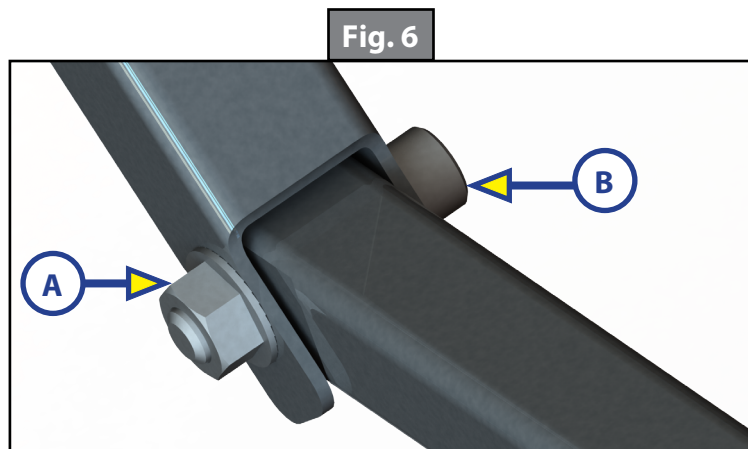
- Cordless or electric drill or screw gun
- $\frac{7}{16}$ " socket
- $\frac{1}{2}$ " socket wrench

### Adjusting Pitch Arm Fasteners

If the pitch arm does not hold position, it can be tightened by adjusting the bolt (Fig. 6A) in the center of the pitch arm.

1. Use a  $\frac{1}{2}$ " wrench to tighten the nut (Fig. 6A) while holding the bolt (6B) on the other side of the pitch arm with a  $\frac{1}{4}$ " hex wrench.

**NOTE:** When tightening the nut do not tighten more than  $\frac{1}{4}$  turn at a time and do not tighten to the point of crushing the pitch arm.



**NOTE:** Existing bolt, Belleville washers and nut are installed in a specific orientation for tensioning. Removal of these components or modification of the orientation will cause adverse effects on the pitch arm functionality.

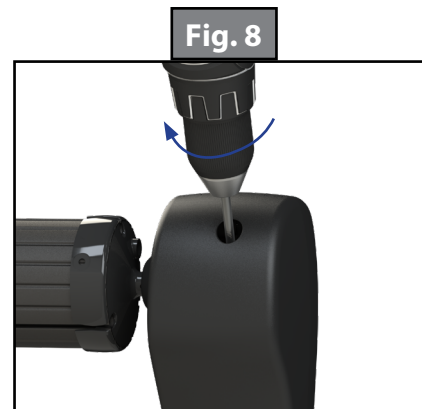
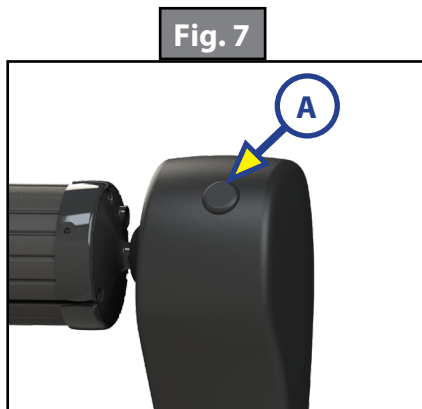
**⚠ CAUTION**

**During incidents of high wind, heavy rain or extended time away from the unit, it is advisable to retract the awning completely to prevent damage to the awning and the RV.**

In the event of power loss or motor failure, the awning can be extended and retracted manually. Perform the following procedure to manually retract the awning.

**NOTE:** This procedure may also be performed to extend or retract the awning in the event of dry camping or camping without a battery.

1. Remove the rubber grommet (Fig. 7A) from the drive head assembly, exposing the manual override nut on the motor.



**NOTE:** The drive head assembly is always located on the right side of the awning as it is viewed from outside of the unit.

2. Using a  $\frac{7}{16}$ " socket and cordless/power drill or screw gun, spin the manual override nut counterclockwise to retract the awning (Fig. 8).

**NOTE:** A ratchet may also be used to turn the manual override nut. Using a ratchet will take a significant amount of time and should only be used if no drill or screw gun is available.

**NOTE:** Use caution when retracting the awning manually. The use of a step stool or ladder may be required to completely retract the awning.

3. When the awning is completely retracted, remove socket or drive device and replace the rubber grommet in the drive head assembly.

The motor's internal drive system prevents the awning from moving (extend or retract) on its own. If the motor is damaged or disabled, make sure the awning is secured in the retracted position with a strap around both the outer support arm and the mounted support arm before the manual override nut is released.

## Maintenance

### Resources Required

- 5 gallon bucket
- Clean water
- 1/4 cup of dish soap

### Fabric Care

#### **⚠ CAUTION**

**Over-spray of cleaning solution can cause eye and sensitive skin irritation. Flush affected area with clean water and seek medical attention, if necessary. Wear eye protection and appropriate protective clothing to avoid personal injury.**

#### **⚠ CAUTION**

**Moving parts can pinch, crush or cut. Keep clear and use caution.**

If the awning is retracted while wet, extend the awning and let it dry as soon as conditions allow before retracting. This will help prevent the formation of mildew and add greatly to the life of the awning.

**NOTE:** Mildew does not form on the fabric itself, but on the accumulated dust, dirt and grime.

Periodically clean vinyl or woven acrylic fabric using a mixture of 1/4 cup of dish soap and five gallons of warm water.

1. Liberally apply the mixture on the top of the fabric and retract the awning for five minutes. This will apply the mixture to the bottom of the fabric as well.
2. Extend the awning and hose off with fresh water.
3. Repeat if necessary.
4. Allow to dry before retracting.





The contents of this manual are proprietary and copyright protected by Lippert. Lippert prohibits the copying or dissemination of portions of this manual unless prior written consent from an authorized Lippert representative has been provided. Any unauthorized use shall void any applicable warranty. The information contained in this manual is subject to change without notice and at the sole discretion of Lippert. Revised editions are available for free download from [lippert.com](http://lippert.com).

Please recycle all obsolete materials.

For all concerns or questions, please contact Lippert  
Ph: 432-LIPPERT (432-547-7378) | Web: [lippert.com](http://lippert.com) | Email: [customerservice@lci1.com](mailto:customerservice@lci1.com)