



BY  **LIPPERT**

**1500 WATT OUTDOOR
AWNING HEATER FOR 3000
SERIES 63" AND 69" ARMS
OEM INSTALLATION MANUAL**

TABLE OF CONTENTS

Introduction	2
Safety	3
Resources Required	4
Unpacking Instructions	4
Preparation	4
Installation	5
Operation	8
Attaching the Heater to the Awning Arm Bracket	8
Rain and Wet Weather Guidelines	8
Using the Heater	9
Retracting the Awning With Heater Installed	13
Removing and Stowing the Heater for Travel	15
Maintenance	15

Introduction

The 1500 Watt Solera® Outdoor Awning Heater provides heat to the space below the awning. The heater has a full range of motion to allow it to remain installed on the awning arm while the awning is closed. Heater can be removed with ease from the awning arm mounting bracket, and comes with a specially-lined box for storage and protection when not in use or while traveling.

For information on the assembly or individual components of this product, please visit:

<https://support.lci1.com/solera-and-reg-awning-accessories>

NOTE: Images used in this document are for reference only when assembling, installing and/or operating this product. Actual appearance of provided and/or purchased parts and assemblies may differ.

Safety

Read and understand all instructions before installing or operating this product. Adhere to all safety labels. This manual provides general instructions. Many variables can change the circumstances of the instructions, i.e., the degree of difficulty, operation and ability of the individual performing the instructions. This manual cannot begin to plot out instructions for every possibility, but provides the general instructions, as necessary, for effectively interfacing with the device, product or system. Failure to correctly follow the provided instructions may result in death, serious personal injury, severe product and/or property damage, including voiding of the Lippert limited warranty.

WARNING

The "WARNING" symbol above is a sign that a procedure has a safety risk involved and may cause death or serious personal injury if not performed safely and within the parameters set forth in this manual.

WARNING

Failure to follow instructions provided in this manual may result in death, serious personal injury and/or severe product and property damage, including voiding of the component warranty.

WARNING

Heater is hot when in use. To avoid burns, do not let bare skin touch hot surfaces. Keep combustible materials such as furniture, pillows, bedding, papers, clothes, etc. and curtains at least 3 feet from the front of the heater and keep them away from the sides and rear.

WARNING

Use this heater only as described in this manual. Any other use not recommended by the manufacturer may cause fire, electric shock, or injury to persons.

WARNING

Do not operate any heater if it malfunctions or becomes broken in any way. Disconnect power at service panel and have heater inspected by an electrician before reusing.

WARNING

Do not insert or allow foreign objects to enter any ventilation or exhaust opening as this may cause an electric shock, fire, or damage the heater.

WARNING

Do not plug in or operate heater in conjunction with any products or devices that produce or spray water in any fashion including misters, sprinklers, etc. Electrical shock, fire, personal injury and/or death may occur.

WARNING

ALWAYS REMOVE HEATER FROM AWNING ARM BEFORE MOVING THE RV IN ANY WAY. Prior to any kind of travel, transport, or moving of the RV, the heater **MUST** be removed from the awning arm and stored in the included box. Failure to remove the awning heater prior to travel could cause serious personal injury and/or property damage.

⚠ CAUTION

The “CAUTION” symbol above is a sign that a safety risk is involved and may cause personal injury and/or product or property damage if not safely adhered to and within the parameters set forth in this manual.

⚠ CAUTION

Always wear eye protection when performing service, maintenance or installation procedures. Other safety equipment to consider would be hearing protection, gloves and possibly a full face shield, depending on the nature of the task.

⚠ CAUTION

Extreme caution is necessary when any heater is used by or near children or disabled persons and whenever the heater is left operating and unattended.

Resources Required

- Electric or cordless drill or screw gun
- Size F drill bit
- Phillips head screwdriver
- Open end wrench
- Non-permanent method of marking

Unpacking Instructions

When unpacking the heater from the shipping container and box, take care not to damage the box the heater comes in. The box comes equipped with a handle and specially lined Styrofoam interior. It is intended by the manufacturer to be the **ONLY** way to store the heater while stowed or when it is not installed on the awning.

Only open the box where it is sealed with adhesive packing tape or stickers by carefully cutting the tape/stickers.

The box features Styrofoam inserts that provide protection for the heater’s ceramic tube which would otherwise be susceptible to cracking from road mileage vibration during transit. Take care not to damage box, and always store in a safe, dry place.

DO NOT DISCARD BOX, AND ALWAYS STORE/STOW HEATER IN BOX. Stow empty box for customer use or place heater back in box once installation is complete and stow.

Discarding or damaging the original box voids all warranty.

⚠ WARNING

ALWAYS REMOVE HEATER FROM AWNING ARM BEFORE MOVING THE RV IN ANY WAY.

Prior to any kind of travel, transport, or moving of the RV, the heater MUST be removed from the awning arm and stored in the included box. Failure to remove the awning heater prior to travel could cause serious personal injury and/or property damage.

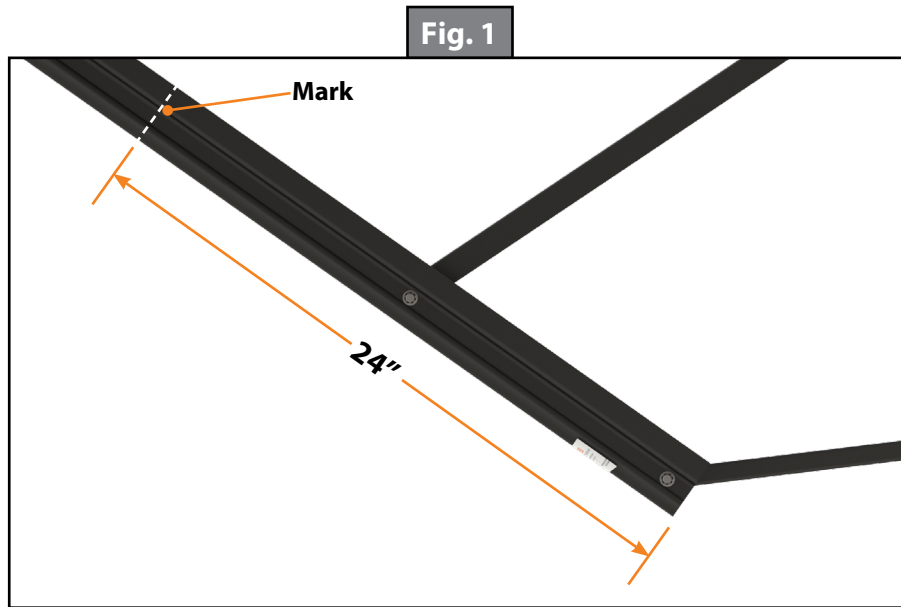
Preparation

NOTE: Intended power supply outlet should be a minimum 20A circuit.

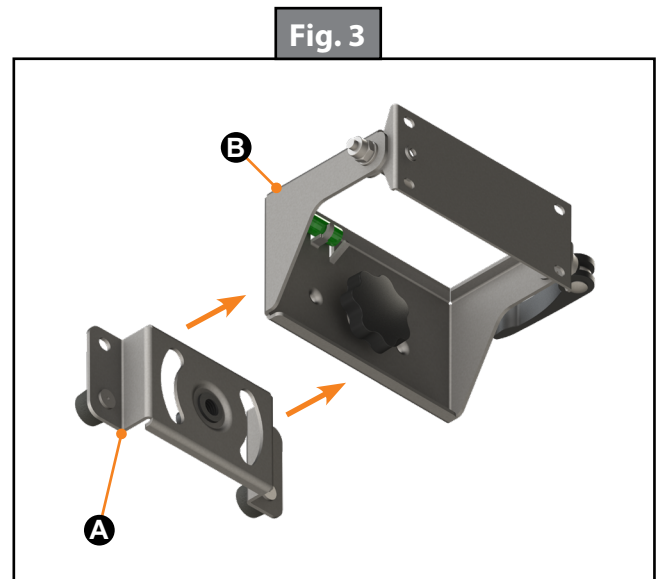
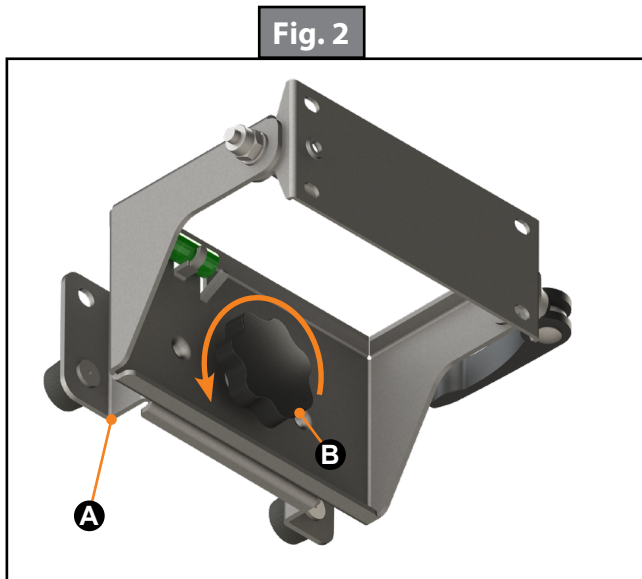
1. Determine installation location of the heater by checking the length of the power cord and the location of the intended power supply outlet. If an extension cord is needed, it must meet the following specifications:
 - A. Minimum size of 16 AWG
 - B. Rated at 1500 watts or greater
 - C. Three-prong grounded
 - D. Waterproof
2. Heater may be installed on drive or idle arm of the awning.

Installation

1. Fully extend the awning.
2. On the inside edge of the arm chosen for installation, measure 24" from the back end of the outer arm (Fig. 1) and make a mark using a non-permanent method of marking.



3. Locate the mounting bracket assembly (Fig. 2) and separate the awning arm bracket portion (Fig. 2A) and (Fig. 3A) by turning the pivot knob (Fig. 2B) counter-clockwise until the awning arm bracket (Fig. 3A) is free.



- Place the edge of the awning arm bracket at the mark made in step 2. The tabs (Fig. 4A) on the back bottom side of the bracket should slide into the outer arm channel (Fig. 4B). Mark the location of each screw hole (Fig. 5).

Fig. 4

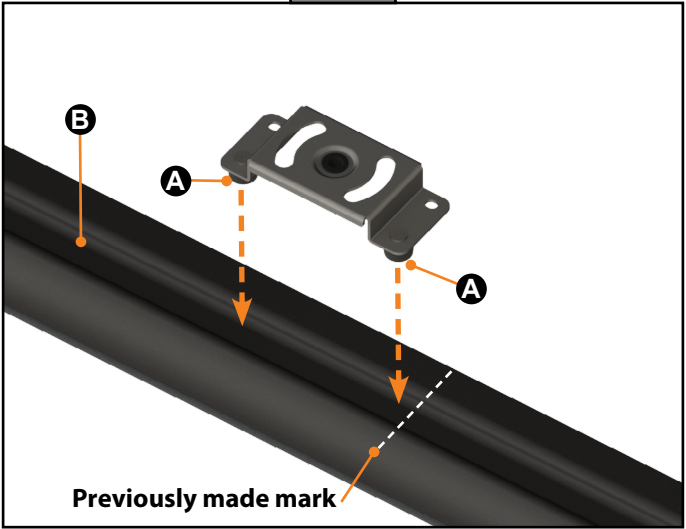
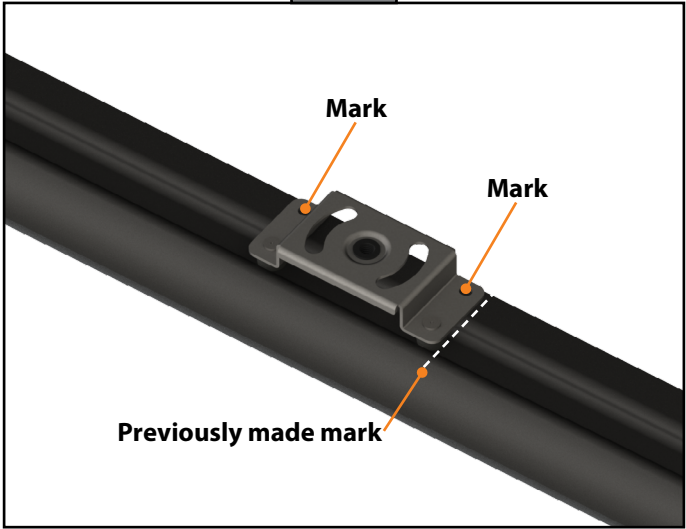


Fig. 5



- Set the awning arm bracket aside. With a size F bit, drill two holes; one at each mark made through the screw holes of the awning arm bracket.
- Insert two M6X14 Phillips head screws (Fig. 6A) through the backside of the outer arm and through the awning arm bracket, and secure with two M6X5 self-locking nuts (Fig. 6B). Do not over-tighten.
- Affix the heater mounting bracket assembly (Fig. 7A) to the back of the heater (Fig. 7B) using four M4X10 Phillips head screws (Fig. 8A) and (Fig. 9A).

Fig. 6

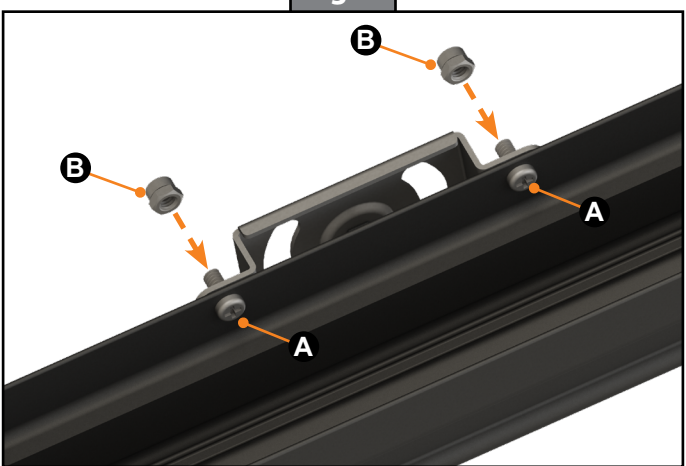


Fig. 7

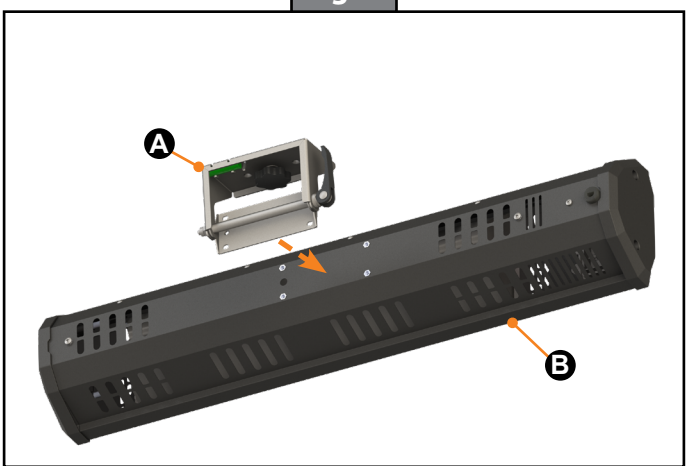


Fig. 8

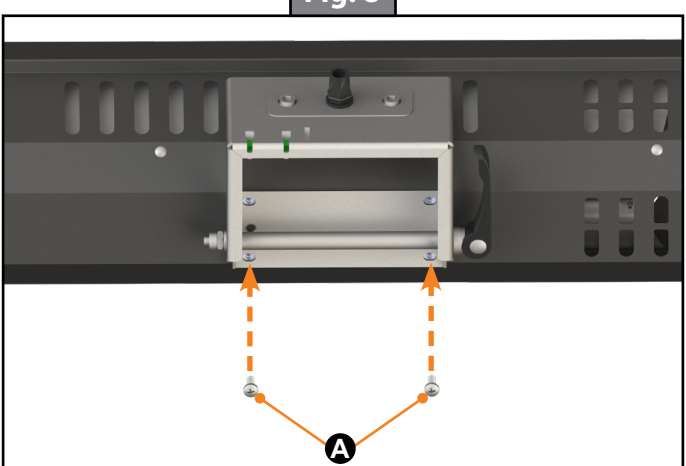
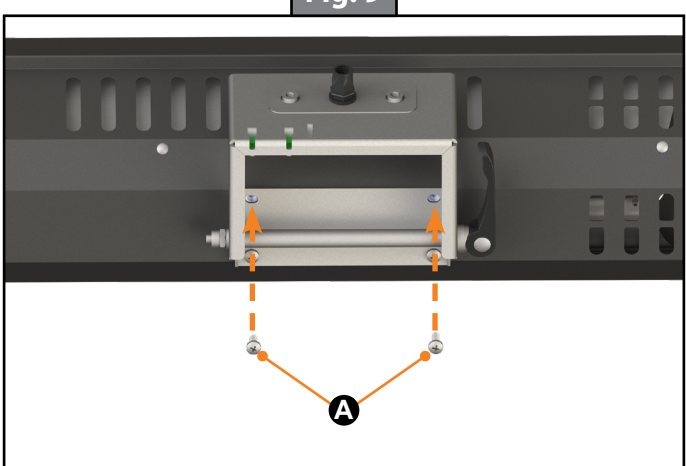


Fig. 9



- Align the heater and mounting assembly to the awning arm bracket by sliding the mounting assembly pivot knob screw (Fig. 10A) into the center hole of the awning arm bracket (Fig. 10B). The two alignment and pivot pegs (Fig. 10C) must also align and insert into their respective slots (Fig. 10D) so that the awning arm bracket and heater mounting assembly are flush.
- Tighten the pivot knob by turning it clockwise so that the heater may pivot, but does not lose its angle (Fig. 11).

Fig. 10

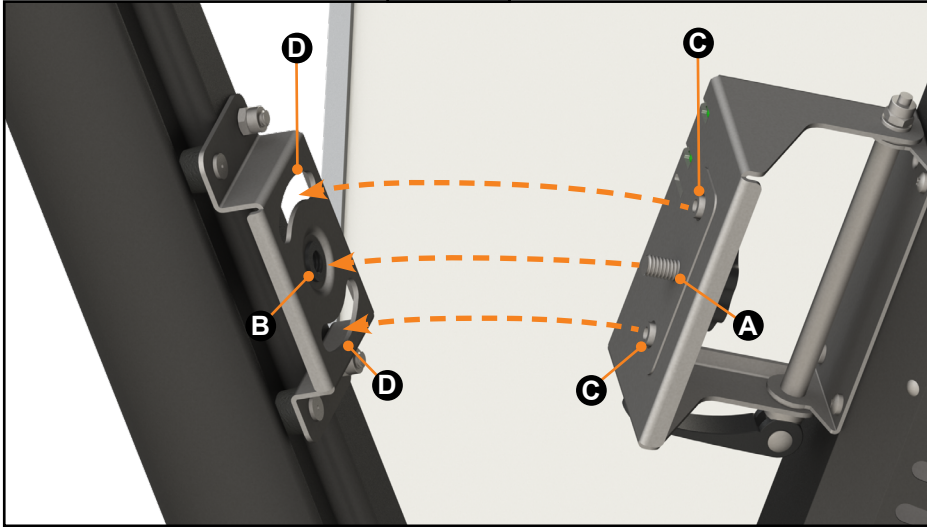
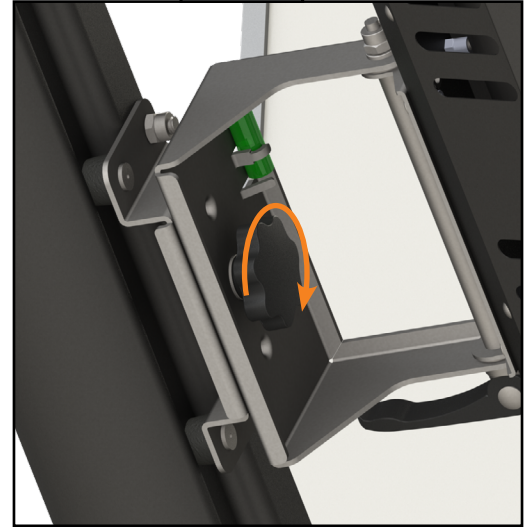
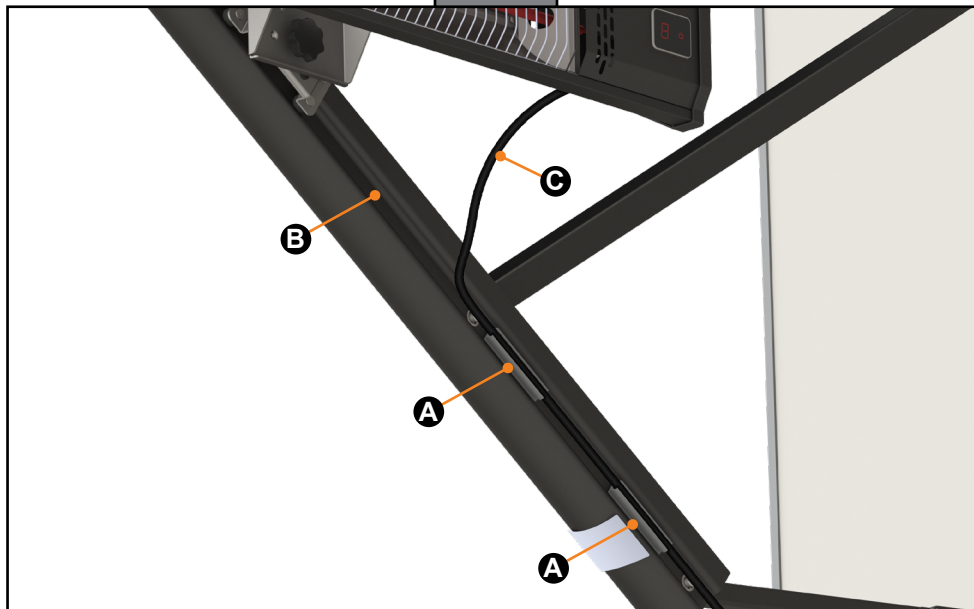


Fig. 11



- Peel the backing off of the provided cord keepers (Fig. 12A) and insert them inside the outer arm channel (Fig. 12B). Keep in mind the cord will need enough slack to allow the heater to pivot and rotate.
- Secure the cord (Fig. 12C) in place by pressing it into the cord keepers.

Fig. 12



⚠ WARNING

Power cord must not touch the reflector of the heater or hang into the heated area.

⚠ NOTICE

All electrical wiring harnesses shall be loomed and secured to prevent possible damage and installed in accordance with RVIA electrical standards.

Operation

Attaching the Heater to the Awning Arm Bracket

1. Remove the heater and mounting assembly from the box.
2. Extend the awning to allow working space, or to the desired position if immediately using the heater.
3. Align the heater and mounting assembly to the awning bracket by sliding the mounting assembly pivot knob screw (Fig. 13A) into the center hole of the awning arm bracket (Fig. 13B). The two alignment and pivot pegs (Fig. 13C) must also align and insert into their respective slots (Fig. 13D) so that the awning arm bracket and heater mounting assembly are flush.
4. Tighten the pivot knob as needed (Fig. 14) based on immediate use of the heater (see "Using the Heater"), or if retracting the awning for later use (see "Retracting the Awning with Heater Installed").

Fig. 13

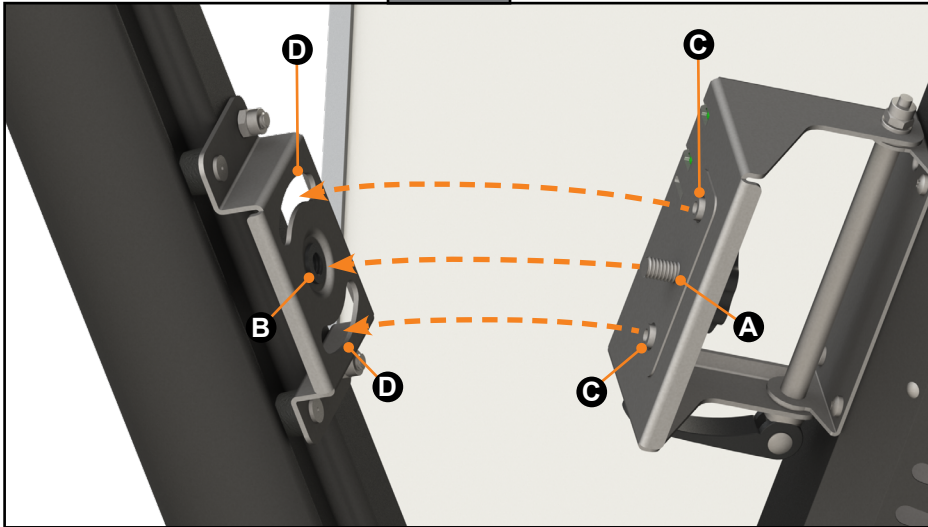
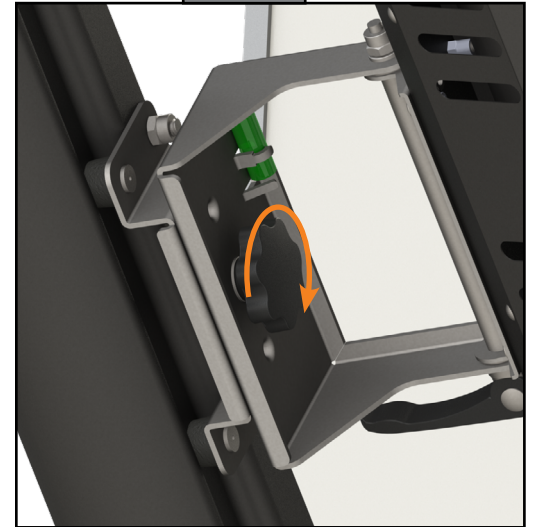


Fig. 14



Rain and Wet Weather Guidelines

The Solera Awning Heater features rain protection and is intended for outdoor use. However, no electronic device is truly waterproof. Adhere to the following guidelines when operating the heater in any kind of wet weather.

1. During any sort of precipitous weather including but not limited to drizzle, mist, rain, hail, snow, etc, immediately turn off and unplug heater.
2. Heater should not be operated or plugged in until the entire device is completely dry.
3. Using the side of the awning with the heater installed to dump water from the awning fabric may cause water to splash up into and on the heater. Whenever possible, use the non-heater side of the awning to dump water and always check the heater thoroughly for any water after dumping before use.
4. Never operate heater in the presence of standing water.

⚠ WARNING

Never plug the heater into a power supply with wet hands

Using the Heater

NOTE: The heater should only be operated while it is in a level position.

1. Fully extend the awning.
2. Loosen the pivot knob by turning it counter clockwise (Fig. 15) enough so that the heater may freely pivot. Using the built-in bubble level (Fig. 16A) on the bracket assembly, position the heater so that it is level (Fig. 16).

Fig. 15

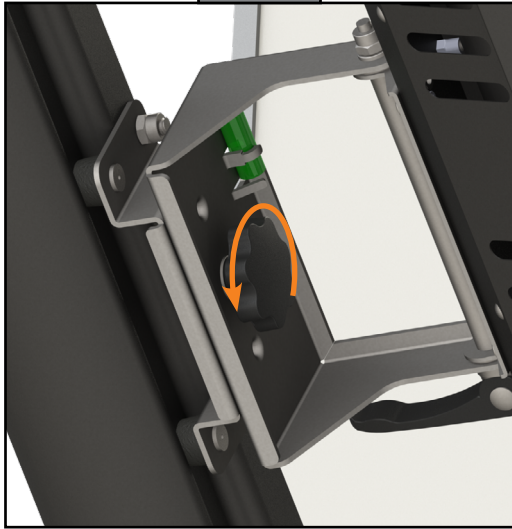
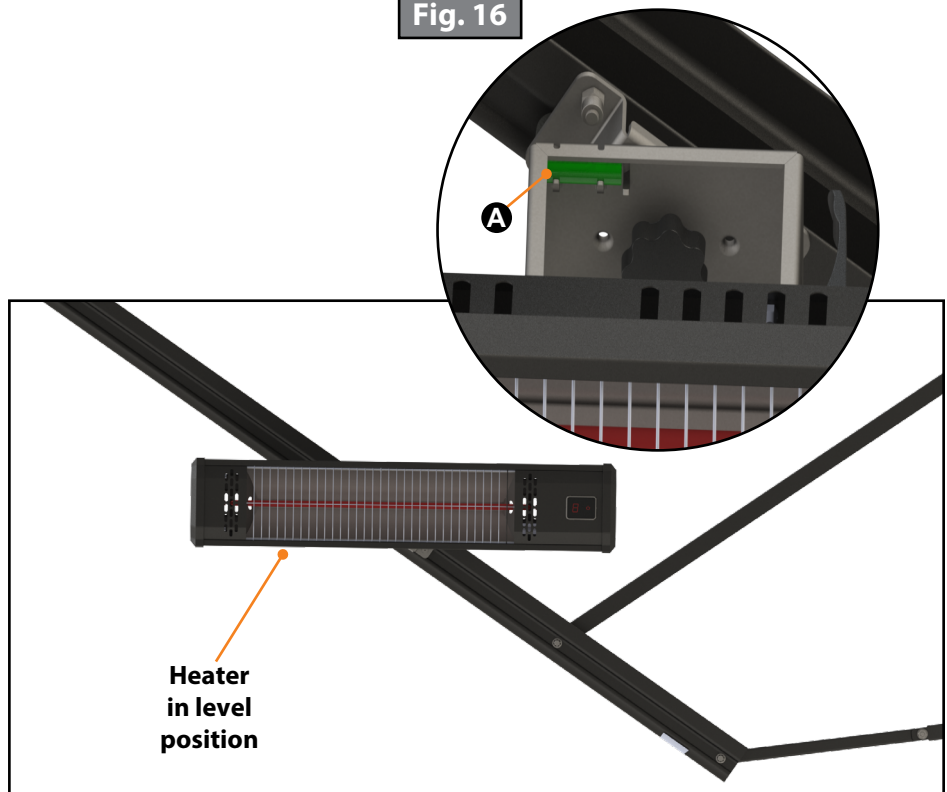


Fig. 16



NOTE: When operating the heater, make sure there is at least 20" between the top of the level heater and the awning fabric (Fig. 17). Extend or retract the awning or pivot the heater as needed to allow for this clearance.

3. Tighten the pivot knob by turning it clockwise (Fig. 18) so that the heater is secure and will not droop or fall.

Fig. 17

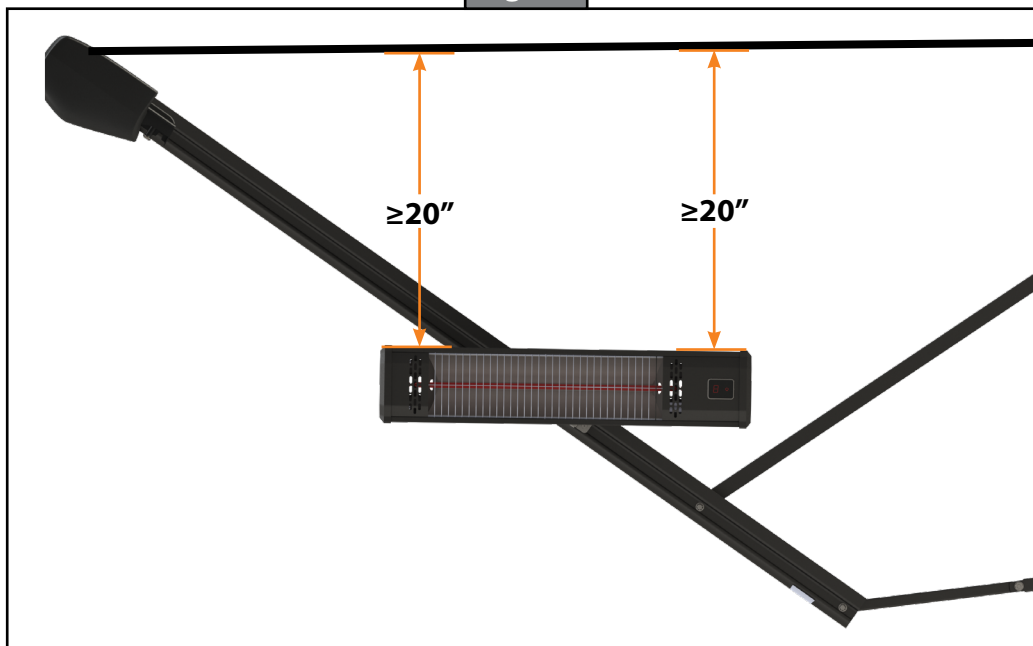
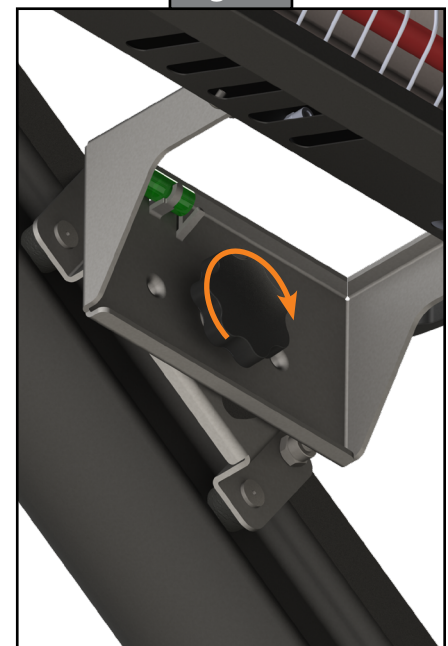


Fig. 18



4. The heater face may be tilted downwards as needed by disengaging the locking lever (Fig. 19A) on right-hand side of the mounting assembly. Once the heater is tilted in the desired position, lock it in place by engaging the locking lever.

Fig. 19

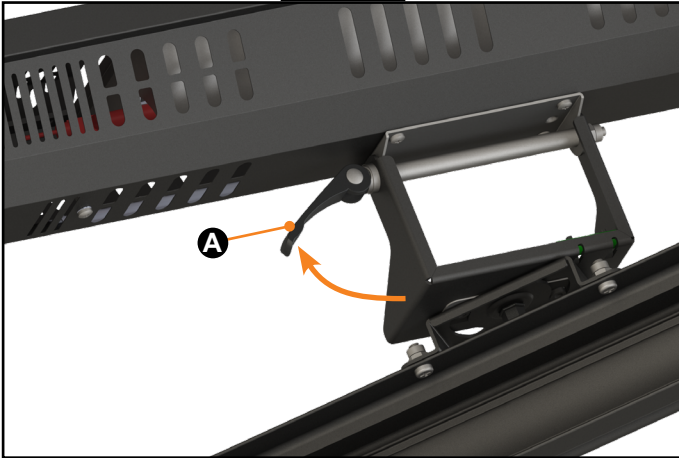
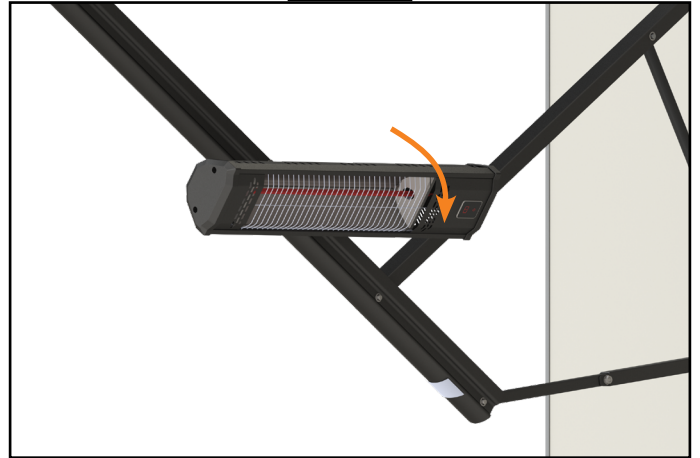


Fig. 20



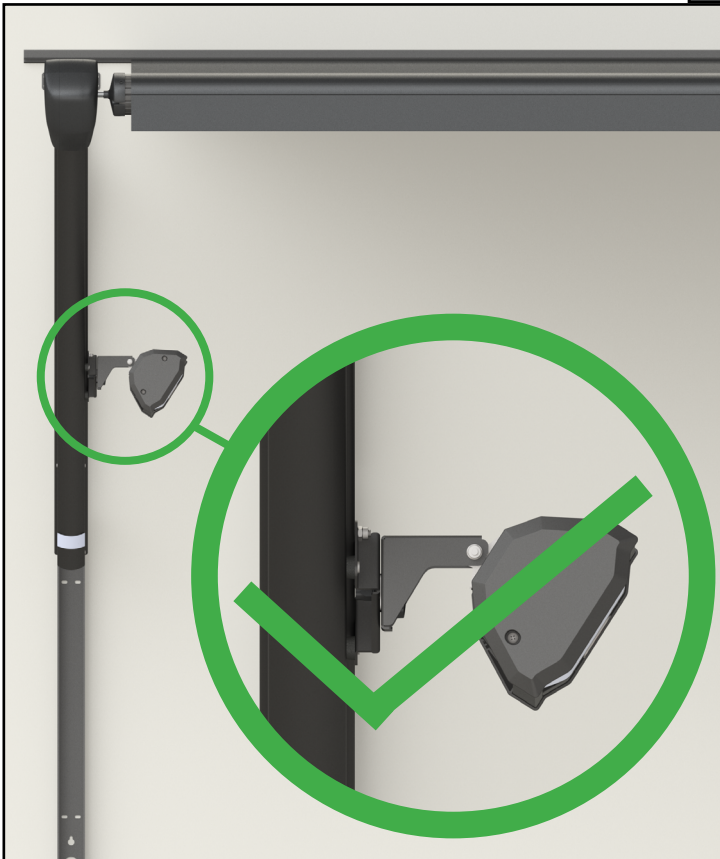
⚠ WARNING

Never point the heater towards dry or flammable surfaces.

⚠ WARNING

NEVER tilt the heater upwards so that the heating face/element is facing the awning fabric (Fig. 21).

Fig. 21



5. Plug in the heater to a grounded power source.
6. Turn the heater on by pressing the power button on the remote (Fig. 22A). The display on the heater will indicate power on with no numerical value displayed (Fig. 23).

Fig. 22

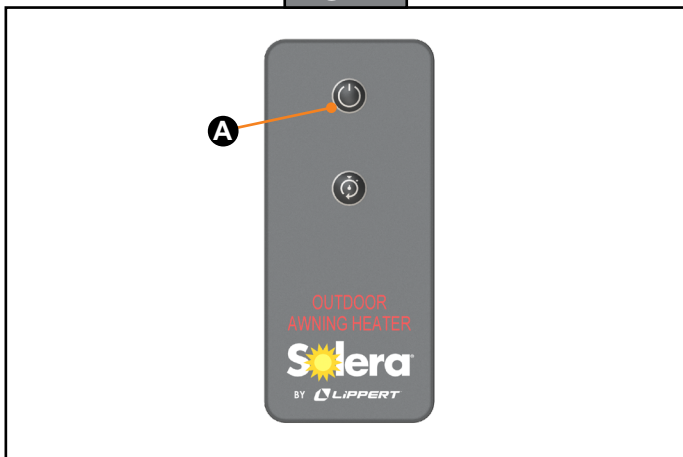


Fig. 23



7. From this point, the heater will operate indefinitely unless a specific amount of time is entered via the timer button on the remote (Fig. 24A). If a specific elapsed run time is desired, press the timer button. The display on the heater will switch to a flashing number "1" (Fig. 25). This is the amount of time in hours the heater will remain powered on before automatically shutting off.

Fig. 24



Fig. 25



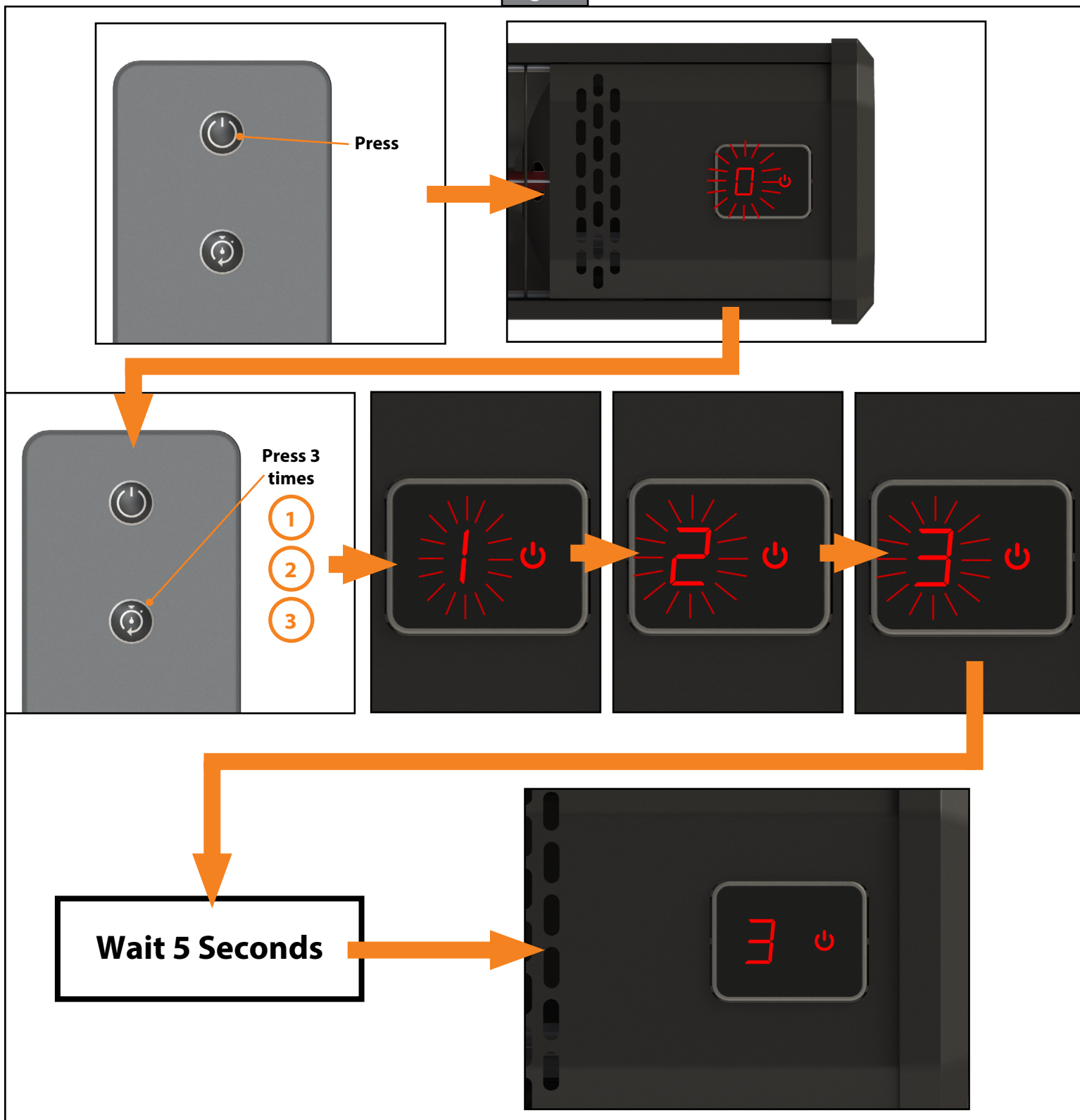
8. Press the timer button up to eight more times as needed to set the desired amount of time the heater will remain on from 1-9 hours. Once the desired amount of time is displayed on the heater, wait 5 seconds. The display will stop flashing and the heater will begin heating.

NOTE: For example, if the heater needs to be on for three hours (Fig. 26):

- A. Press the power button to turn on the heater.
- B. Within one minute, press the timer button three times consecutively. The display will show a flashing number "3".
- C. Wait 5 seconds for the timer display to stop flashing. The heater will begin heating.
- D. Store the remote in a safe place.

NOTE: If timer button is not pressed within one minute of pressing the power button to power on the heater, the heater will auto shut off.

Fig. 26



9. If desired, heater may be turned off at any time by pressing the power button while the heater is running, regardless of how much time is left on the timer.
10. Store the remote in a safe, dry place when not in use.
11. Once the timer completes its cycle or after powering down the heater manually, unplug the heater.

NOTE: Always unplug the heater when not in use.

⚠ WARNING

To prevent fire, do not block air intakes or exhaust in any manner.

⚠ WARNING

The heater has hot and arcing or sparking parts inside. Do not store or use gasoline or other flammable vapors and liquids in the vicinity of the heater.

⚠ WARNING

Do not place any objects such as furniture, papers, clothes, and curtains closer than 3 feet to the front of the heater and keep them away from the sides and rear when the heater is plugged in.

Retracting the Awning With Heater Installed

The heater may be pivoted to allow the awning to retract when not in use.

1. Turn off and unplug the heater.
2. Heater will be hot if used recently. Wait 10 minutes to allow the heater to completely cool before touching it or retracting the awning.
3. Loosen the pivot knob (Fig. 27) enough so that the heater may freely pivot. Pivot the heater so that it is parallel with the outer arm of the awning arm (Fig. 28).

Fig. 27

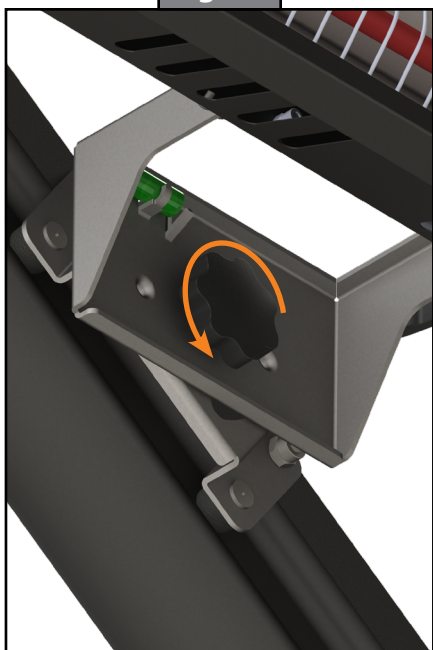
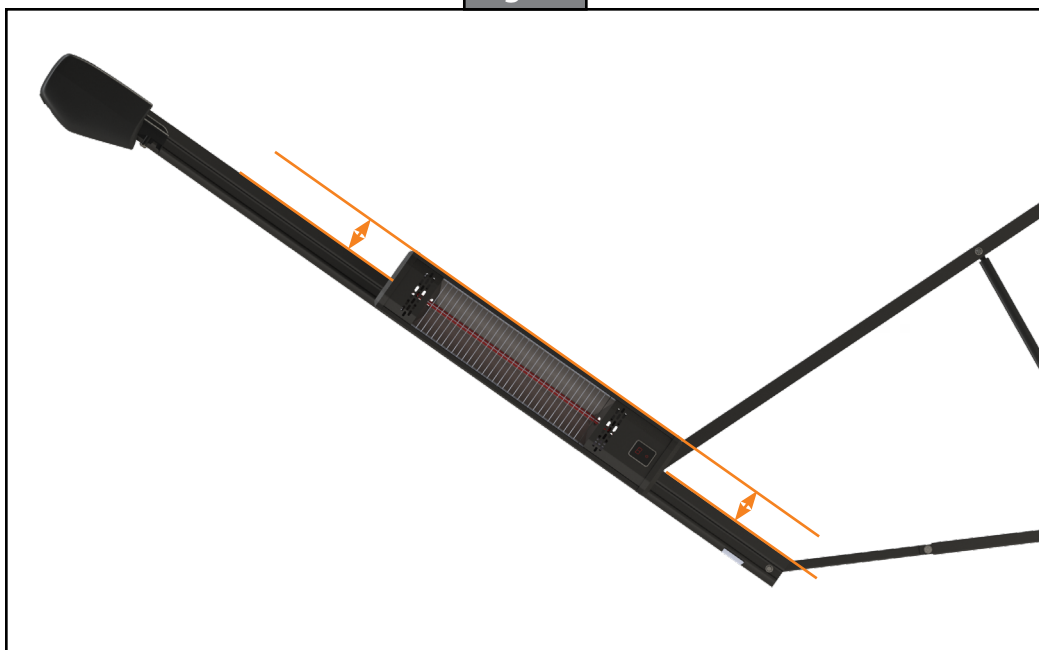


Fig. 28



4. If not tilted downwards already, unlock the locking lever (Fig. 29A) and tilt the face of the heater downwards (Fig. 30) and (Fig. 31).
5. Secure the angle of the heater in place by re-engaging the locking lever.

Fig. 29

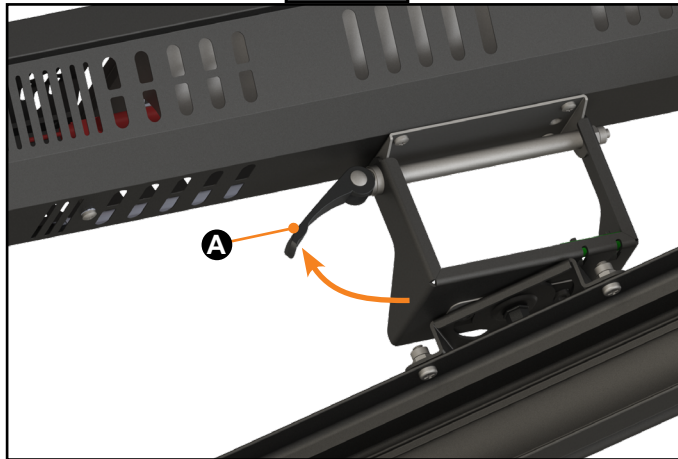


Fig. 30

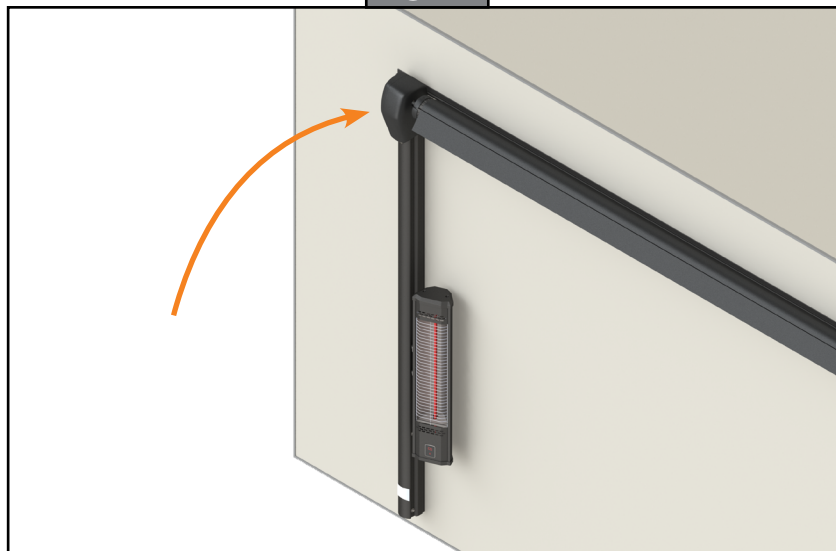


Fig. 31



6. Check the position of the heater's power cord, and make sure it will not become tangled, snagged or caught in any moving parts of the awning. Adjust the cord in the attached cord keepers as needed.
7. Retract the awning (Fig. 32).

Fig. 32



Removing and Stowing the Heater for Travel

1. Turn off and unplug the heater if it isn't already.
2. Heater will be hot if used recently. Wait 10 minutes to allow the heater to completely cool before touching it.
3. Loosen the pivot knob (Fig. 33) enough by turning it counterclockwise so that the knob and attached heater/mounting assembly can be freely removed.
4. Remove the heater and mounting assembly from the awning arm bracket (Fig. 34).

Fig. 33

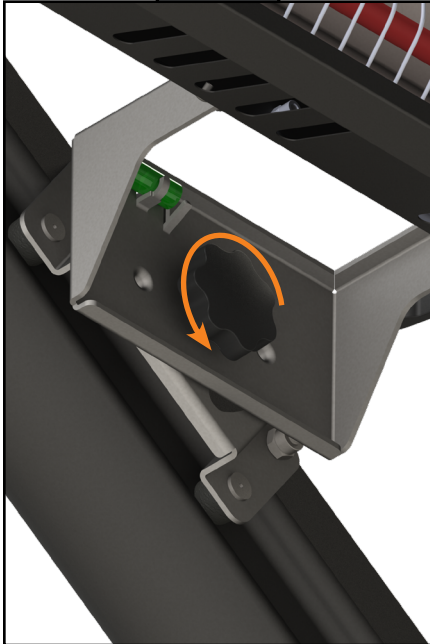
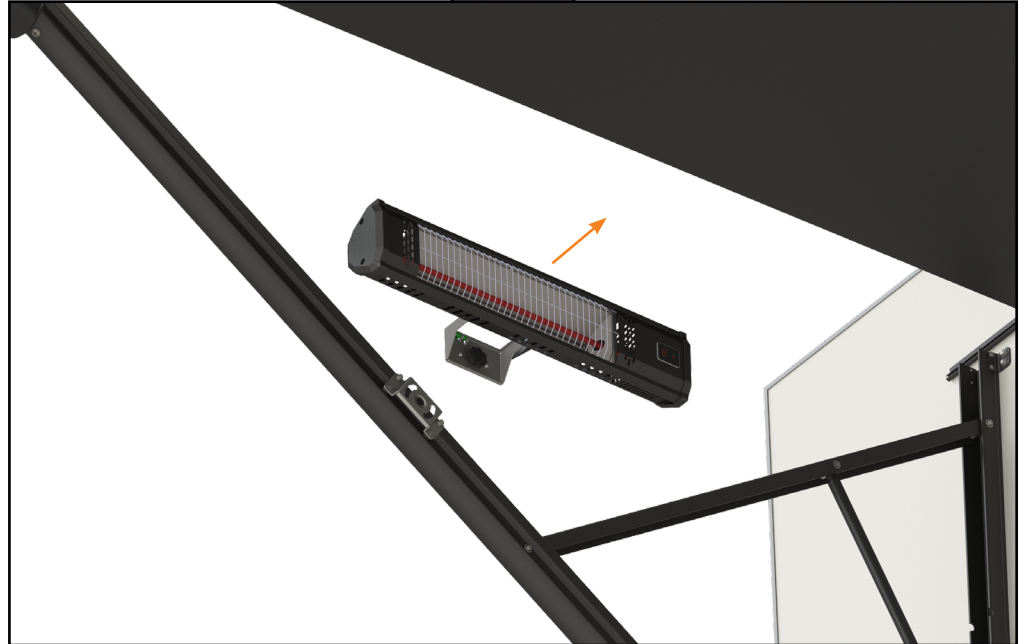


Fig. 34



5. Release the power cord from the cord keepers.
6. Place the heater and bracket assembly into the original storage container as directed.
7. Stow the container.
8. Retract the awning.

⚠ WARNING

ALWAYS REMOVE HEATER FROM AWNING ARM BEFORE MOVING THE RV IN ANY WAY. Prior to any kind of travel, transport, or moving of the RV, the heater MUST be removed from the awning arm and stored in the included box. Failure to remove the awning heater prior to travel could cause serious personal injury and/or property damage.

Maintenance

NOTE: Heater contains no moving parts and needs little to no maintenance other than occasional cleaning.

1. Turn off and unplug the heater.
2. Heater will be hot if used recently. Wait 10 minutes to allow the heater to completely cool before touching it.
3. Use a soft cloth to wipe any dirt or dust buildup off of the heater.



The contents of this manual are proprietary and copyright protected by Lippert. Lippert prohibits the copying or dissemination of portions of this manual unless prior written consent from an authorized Lippert representative has been provided. Any unauthorized use shall void any applicable warranty. The information contained in this manual is subject to change without notice and at the sole discretion of Lippert. Revised editions are available for free download from lippert.com.

Please recycle all obsolete materials.

For all concerns or questions, please contact Lippert
Ph: 432-LIPPERT (432-547-7378) | Web: lippert.com | Email: customerservice@lci1.com