



LIPPERT
COMPONENTS®



Shock Kit

Installation and Owner's Manual

(For Aftermarket Applications)

Table of Contents

Introduction	1
Safety	2
Parts List	2
Resources Required	2
Preparation	3
Installation	3

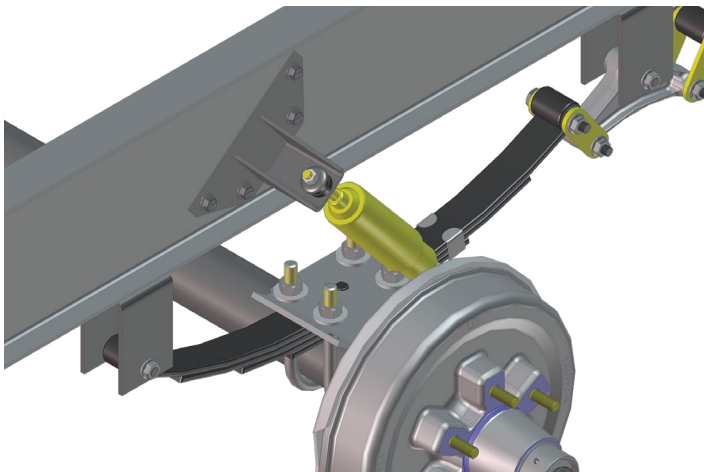
Shock Mount Aftermarket Kits	
Part #	Description
281255	Shock mount kit for 2 3/8" axle tube
281281	Shock mount kit for 3" axle tube

Introduction

Instantly improve your ride with complete shock mount kits. Shocks help to efficiently manage axle spring movement to provide a smoother, more comfortable ride.

Additional information about this product can be obtained from lci1.com/support or by using the myLCI app. Replacement components can be ordered from <https://store.lci1.com/> or by using the myLCI app.

The myLCI app is available for free on iTunes® for iPhone® and iPad® and also on Google Play™ for Android™ users. iTunes®, iPhone®, and iPad® are registered trademarks of Apple Inc. Google Play™ and Android™ are trademarks of Google Inc.



NOTE: Shock kit is for overslung axles only. Minimum clearance between inside of tire and I-beam flange is 4".

Shock Kit

Installation and Owner's Manual

(For Aftermarket Applications)

Safety

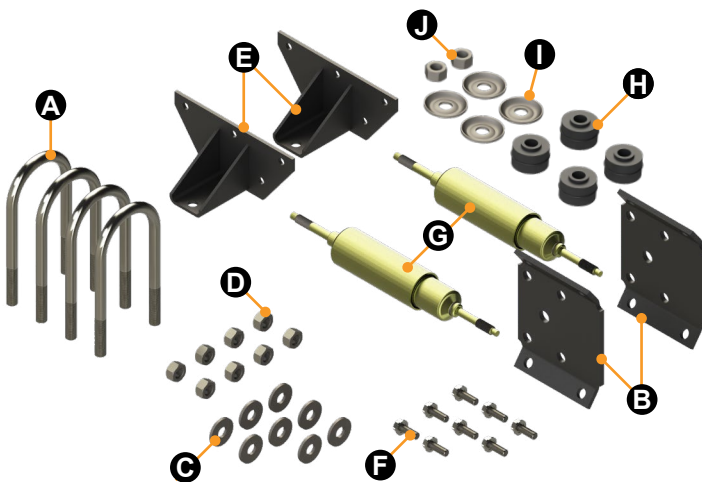
⚠ WARNING

THE TRAILER MUST BE SUPPORTED PER MANUFACTURER'S RECOMMENDATIONS BEFORE WORKING UNDERNEATH. FAILURE TO DO SO MAY RESULT IN DEATH, SERIOUS PERSONAL INJURY OR SEVERE PRODUCT OR PROPERTY DAMAGE.

⚠ CAUTION

MOVING PARTS CAN PINCH, CRUSH OR CUT. KEEP CLEAR AND USE CAUTION.

Parts List



NOTE: Kit parts and quantities will vary. Not all parts are needed for each kit.

Part #281255 - 2 3/8" Axle Tube Kit			
Letter	Part #	Description	Qty
A	122073	U-bolt, 1/2" - 20	2
B	193828	Shock mounting tie plate	2
D	122079	Flange nut, 1/2" - 20	8
E	275047	Shock upper mounting bracket	2
F	191021	Self-tapping bolt, 3/8" - 16 x 1"	8
G	177734	Shock	2
H	135066	Rubber grommet	8
I	135067	Cupped washer	8
J	135063	Hex nut, 3/8" - 24	4

Part #281281 - 3" Axle Tube Kit			
Letter	Part #	Description	Qty
A	2139541	U-bolt, 9/16" - 18	4
B	2139531	Shock mounting tie plate	2
C	170997	Flat washer, 9/16"	8
D	182274	Nut, 9/16" - 18	8
E	275046	Shock upper mounting bracket	2
F	191021	Self-tapping bolt, 3/8" - 16 x 1"	8
G	177734	Shock	2
H	135066	Rubber grommet	8
I	135067	Cupped washer	8
J	135063	Hex nut, 3/8" - 24	4

NOTE: Part numbers are shown for identification purposes only. Not all parts are available for individual sale. All parts with a link to the Lippert Store can be purchased.

Resources Required

- Floor jack
- Jack stands
- Cordless or electric drill or screw gun
- Appropriate drive bits
- Torque wrench
- Socket wrench
- 3/8" socket
- 9/16" socket
- 1/32" drill bit
- Tape measure
- Non-permanent marker



Shock Kit

Installation and Owner's Manual

(For Aftermarket Applications)

Preparation

Make sure slide-out cross shafts are not in the way.

1. Measure clearance between inside of tire and I-beam flange. Minimum clearance is 4".

2. Using the properly-rated floor jack, lift the trailer according to the manufacturer's recommendation.

NOTE: Support chassis with jack stands in accordance with the manufacturer's recommendation when working beneath the frame.

3. Using a floor jack, lift the axles slightly to release pressure on the springs and place additional properly-rated jack stands under the axles.

4. Remove old U-bolts and tie plates and discard them.

NOTE: Do not use old components.

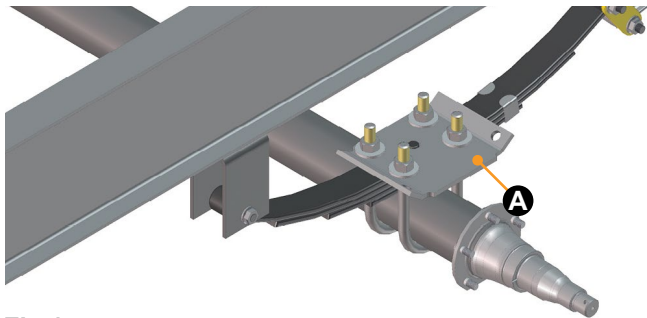


Fig.1

Installation

1. Install new tie plate with new U-bolts and flange nuts for the 2 3/8" kit and U-bolts, washers and nuts for the 3" kit. Make sure the longer side of the tie plate is facing outward (Fig.1A). Torque the U-bolts to 50 ft-lbs for the 2 3/8" kit and 90 ft-lbs for the 3" kit.

NOTE: Tires, wheels and brakes removed for clarity.

2. Repeat step 1 on each axle end.

3. Compress the shock (Fig.2) and make a mark on the inner shock where the outer shock stops (Figs.2A and 3A).

4. Release compression (Fig. 3). Measure the stroke (Fig. 3B) and make a mark on the inner shock that is one half of the measured stroke (Fig. 3C).

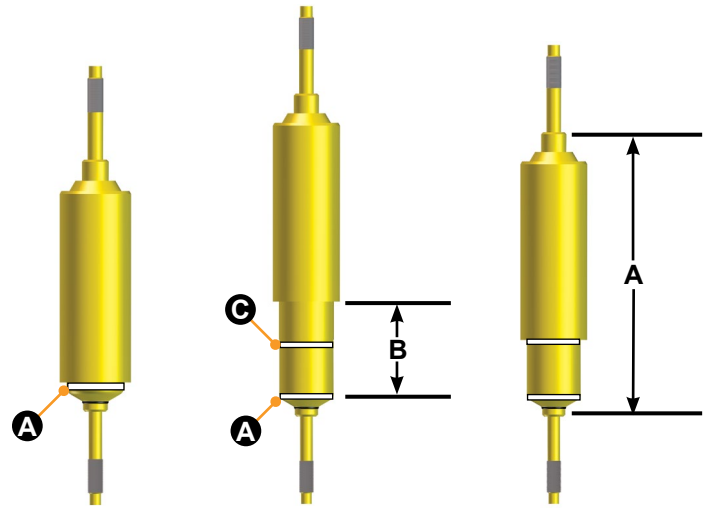


Fig.2

Fig.3

Fig.4

5. Measure the shock length (Fig. 4A) when the shock is compressed to the halfway mark made in step 4.

6. Place a floor jack under the axles and remove the jack stands. Lower the trailer back down onto the tires and level so the equalizers, if equipped, are parallel to the frame and there is a full load on the springs.

7. Make a measurement perpendicular to the shock mounting lip on the tie plate (Fig.5) that is the same distance measured in step 5 (Fig.4A), then add 2" and make a mark on the I-beam parallel to the shock mounting lip on the tie plate (Fig. 5A).

NOTE: Mount shocks pointing outward (Fig.7) (away from the shackle kit, equalizer and/or center point) to get the best performance from the shocks.

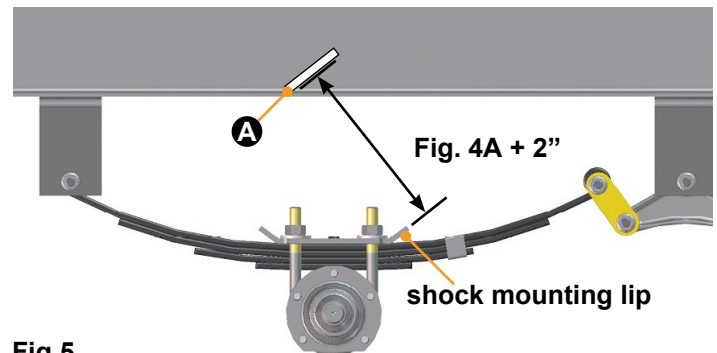


Fig.5



LIPPERT
COMPONENTS®

Shock Kit Installation and Owner's Manual (For Aftermarket Applications)

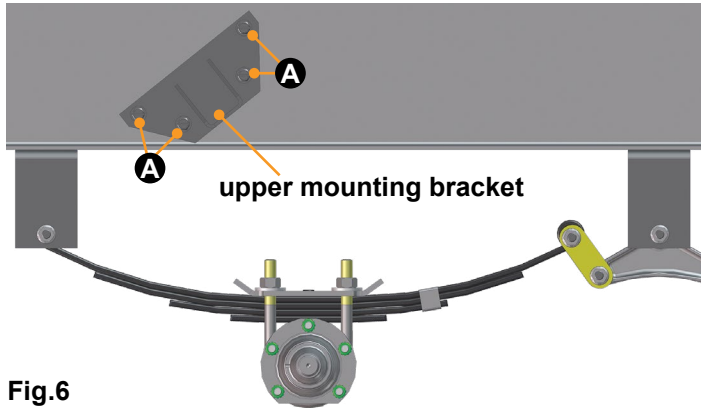


Fig.6

NOTE: Dry fit the shock to make sure it does not exceed a 45 degree angle or it will not function.

8. Align the bottom of the extended portion of the shock upper mounting bracket to the mark made on the I-beam in step 7 and drill four $\frac{1}{32}$ " pilot holes on the four outside holes of the bracket (Fig.6A).

9. Use the $\frac{3}{8}$ " self-tapping bolts (Fig.6A) to secure the shock upper mounting bracket to the I-beam.

10. Install cupped washer (Fig. 7A) and grommet (Fig.7B) on each end of the shock, both top and bottom.

NOTE: The washers should be installed first and placed with the outside of the washer against the shock. The

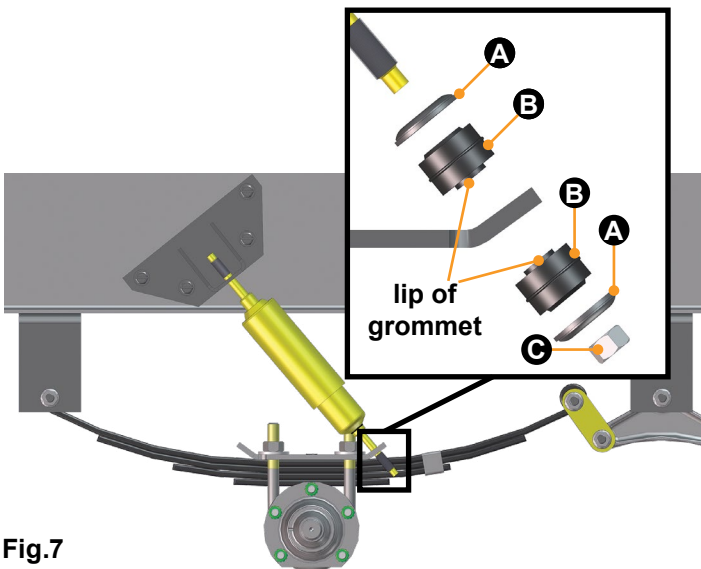


Fig.7

grommets should then be installed with the lip of the grommets to be placed against the holes in the tie plate and mounting bracket.

11. Place the shock into the shock mounting lip on the tie plate and compress it to fit into the upper mounting bracket.

12. Install second set of grommets and washers on each end of the shock and against the upper mounting bracket and tie plate mounting lip.

13. Secure the shock by installing and tightening the hex nuts (Fig.7C) on top and bottom of the shock until the spreading diameter of the rubber grommet is equal to the washer's diameter.

CAUTION

DO NOT OVERTIGHTEN SHOCK ABSORBER NUTS. OVERTIGHTENING NUTS WILL EXCESSIVELY COMPRESS THE RUBBER GROMMET, DESTROYING ITS DESIGN FUNCTION.



LIPPERT
COMPONENTS®

Manual information may be distributed as a complete document only, unless Lippert Components provides explicit consent to distribute individual parts.

All manual information is subject to change without notice. Revised editions will be available for free download at lci1.com. Manual information is considered factual until made obsolete by a revised version.

Please recycle all obsolete materials and contact Lippert Components with concerns or questions.