



**PATIO WALL ARMOR  
OEM INSTALLATION MANUAL**

**L I P P E R T  
C O M P O N E N T S<sup>®</sup>**

# TABLE OF CONTENTS

<b>Introduction</b> .....	2
<b>Safety</b> .....	2
<b>Preparation</b> .....	3
Tools Required .....	3
Parts .....	3
<b>Prior to Installation</b> .....	3
Measurements .....	3
<b>Installation</b> .....	4
<b>Door Panel Installation</b> .....	8
<b>Notes</b> .....	9

## Introduction

Our Patio Wall Armor (patent pending) is the most flexible door on the market. When fully closed, it offers complete privacy or full sunlight. Partly open, it provides plenty of outdoor air. An ATV, motorcycle or other small vehicle can be driven through the opening.

The Patio Wall Armor offers:

- Optional - Three shade settings: full light, UV protection and full privacy.
- When using these optional panels the system provides a better seal. When the garage door is closed, the garage is sealed off, keeping the garage cool while using air conditioning.
- Screen panels included for open air option.
- Designed for easy installation - modular components adjust to account for walls that may be out of square or not parallel.
- Heavy duty frame for durability.

**NOTE:** The Patio Wall Armor is designed for use on all trailers with a ramp door.

## Safety

### **WARNING**

The "WARNING" symbol above is a sign that an installation procedure has a safety risk involved and may cause death or serious injury if not performed safely and within parameters set forth in this manual. Always wear eye protection when performing this installation procedure. Other safety equipment to consider would be hearing protection, gloves and possibly a full face shield, depending on the nature of the installation procedure.

### **CAUTION**

**Moving parts can pinch, crush or cut. Keep clear and use caution.**

## Preparation

### Tools Required

- Tape measure
- Cordless or electric drill or screw gun
- Appropriate drive bits
- Screwdriver
- Rubber mallet

### Parts

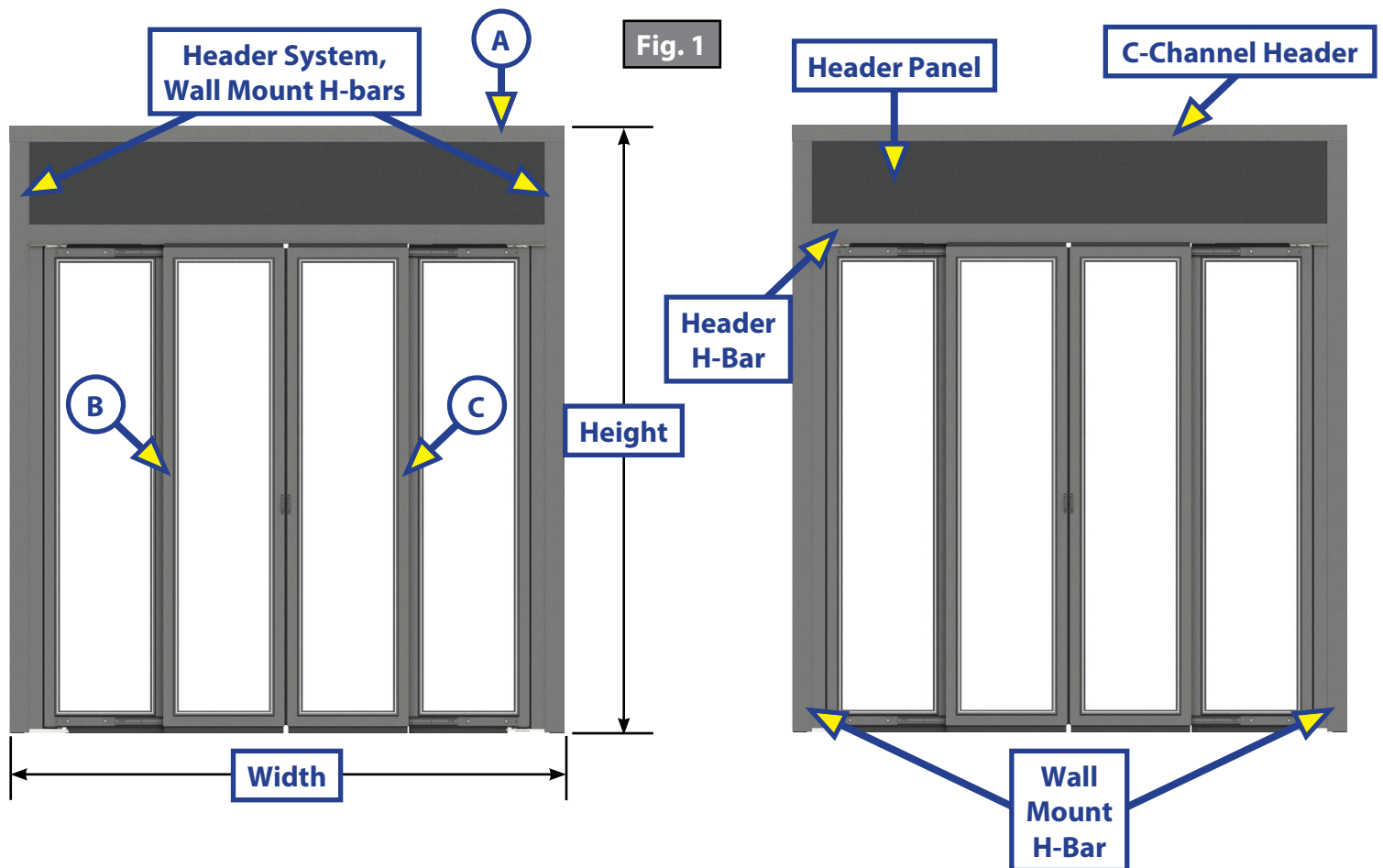
Callout	Part #	Description
A	Variant	Patio Wall Frame
B	677464	Patio Wall Left Slider Gen II, 21 5/8" Door 3TRK; 86 1/16" H
C	677465	Patio Wall Right Slider Gen II, 21 5/8" Door 3TRK; 86 1/16" H

### Prior to Installation

**NOTE:** Before ordering, record all measurements and provide to LCI for proper variant number.

### Measurements

1. Measure 9" inside the trailer, both roadside and curbside, from exterior face of ramp door jamb (Fig. 2).
2. From the points in step 1, measure interior height of the unit by measuring from the ceiling to the floor (Fig. 1).
3. Measure the interior width of the unit from interior wall to interior wall 9" from exterior face of ramp door frame (Fig. 1).



## Installation

1. Measure 9" inside the trailer from exterior face of ramp door jamb (Fig. 2). Wall Mount H-Bar edge will start there.

**NOTE:** The patio door frame is inset 9" from exterior face of ramp door frame so that the ramp door will close with the patio railing kit installed.

2. Attach Wall Mount H-Bars (Fig. 2A) to sidewalls making sure they are parallel and straight to one another, then secure to studs in the wall.

**NOTE:** The flange on the H-Bar is positioned towards the interior of the trailer.

3. Install upper header C-Channel (Fig. 3A) to ceiling between side wall H-Bars.
4. Center the header panel (Fig. 4A) between side wall H-Bars and secure the header to the H-Bars with two screws on each end.
5. Insert lower header H-Bar (Fig. 4B) below header panel with striker to the inside of the unit (Fig. 4A). Have someone hold the header H-bar until the doors are set in place.

**NOTE:** Doors do not have to be secured. They just need to be set prior to releasing the header H-bar.

Fig. 2

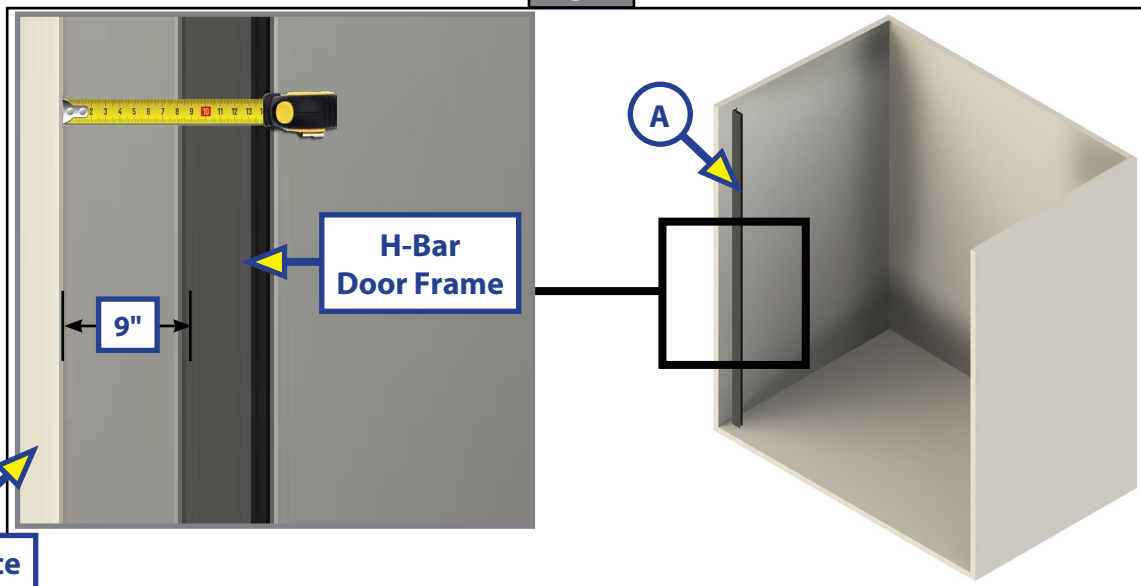


Fig. 3

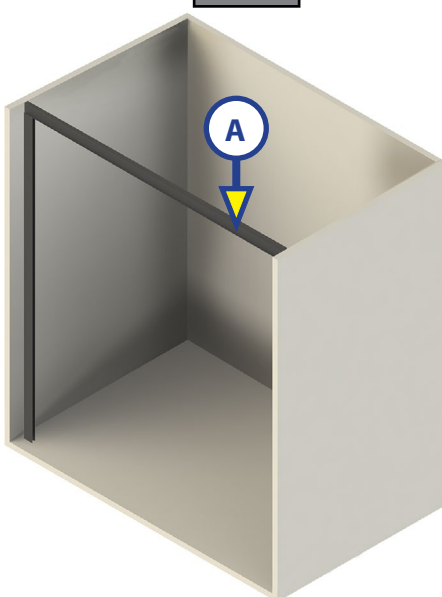
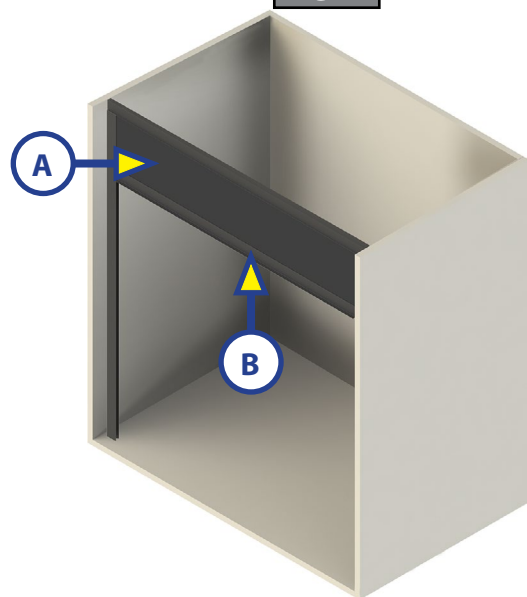
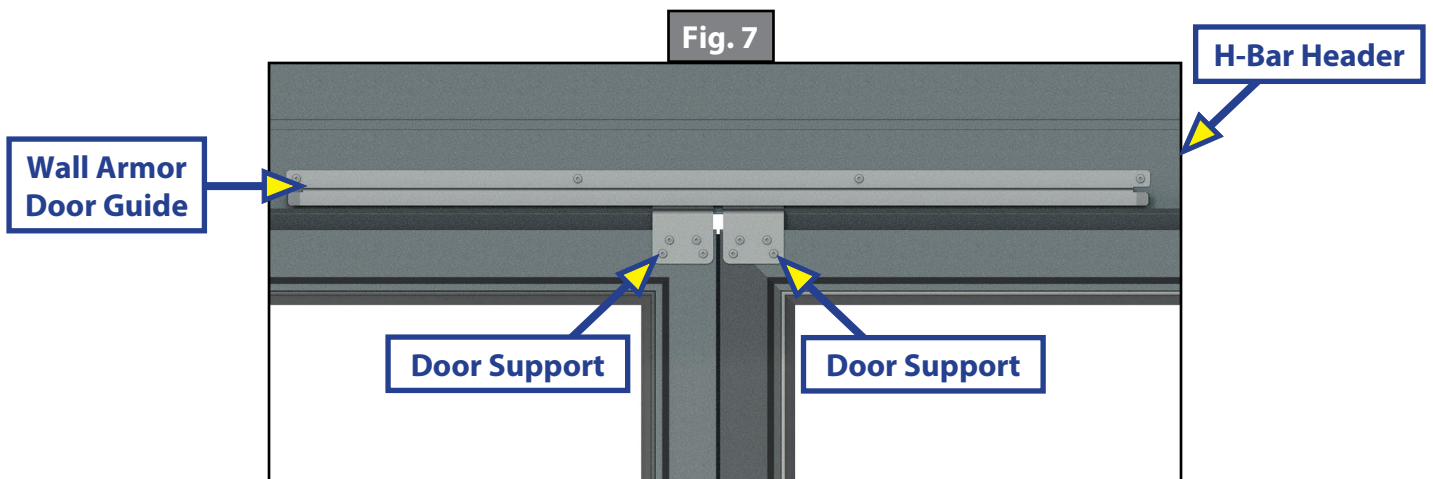
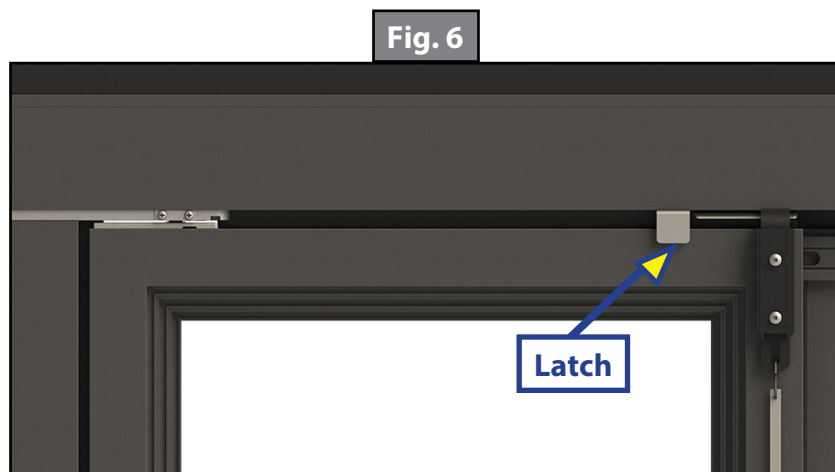
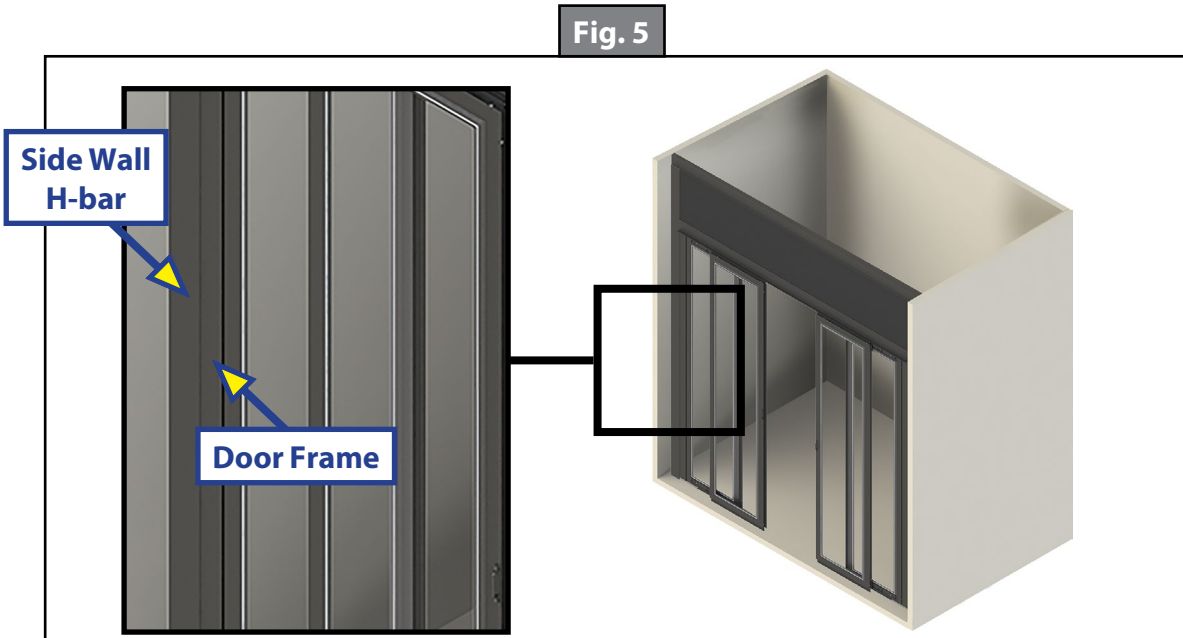


Fig. 4



6. Beginning on either right or left side of frame, set the first door in position by sliding into the side wall H-Bar (Fig. 5).
  7. Repeat the step 6 on the opposite side of the frame.
- NOTE:** Make sure the latches (Fig. 6) and top of doors are lined up with black plunger lock at top of door on the inside of unit to mate to striker. Doors must be parallel with each other.
8. Drop H-Bar header to rest on top of doors.
  9. Make sure the door support bracket is positioned on the top of door H-Bar lip.
  10. Slide doors closed, making sure the door support slides inside the wall armor guide on H-Bar header (Fig. 7).



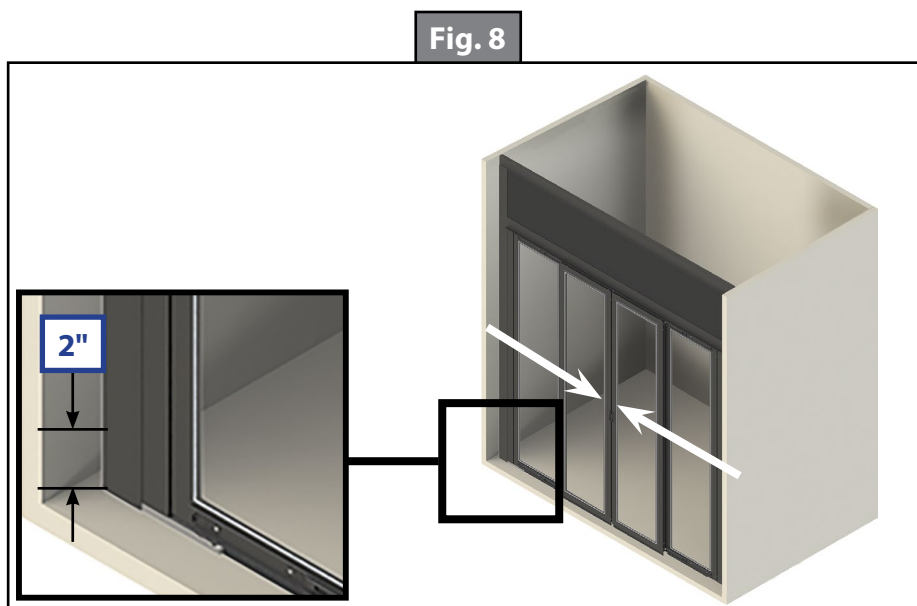
11. With the doors closed, lock the inside latch at the top of the door. Make sure the tops of door are level with each other and there is no gap between the doors.
12. Measure between the outer edge of the door hinge and H-Bar at the bottom of the doors on both sides of the frame, to ensure hinges are evenly spaced on both sides. Measure up along both side wall H-Bars approximately 2" from floor (Fig. 8) and insert a screw on both sides.
13. Insert a screw approximately in the center of the H-Bar on each side of the frame.
14. Unlock the latch. Check to ensure reveal from top to bottom of the doors is the same, and add the top screw on both sides of the H-Bar.

**NOTE:** If the trailer has a patio rail kit, ensure the sliding doors open to a full 90 degrees prior before completely securing hinge to H-Bar.

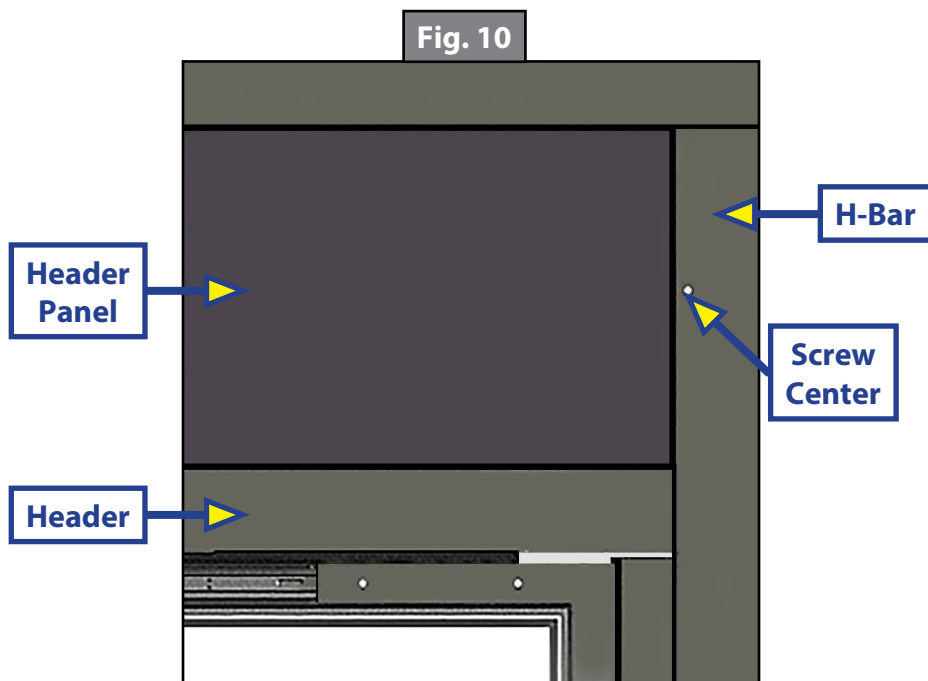
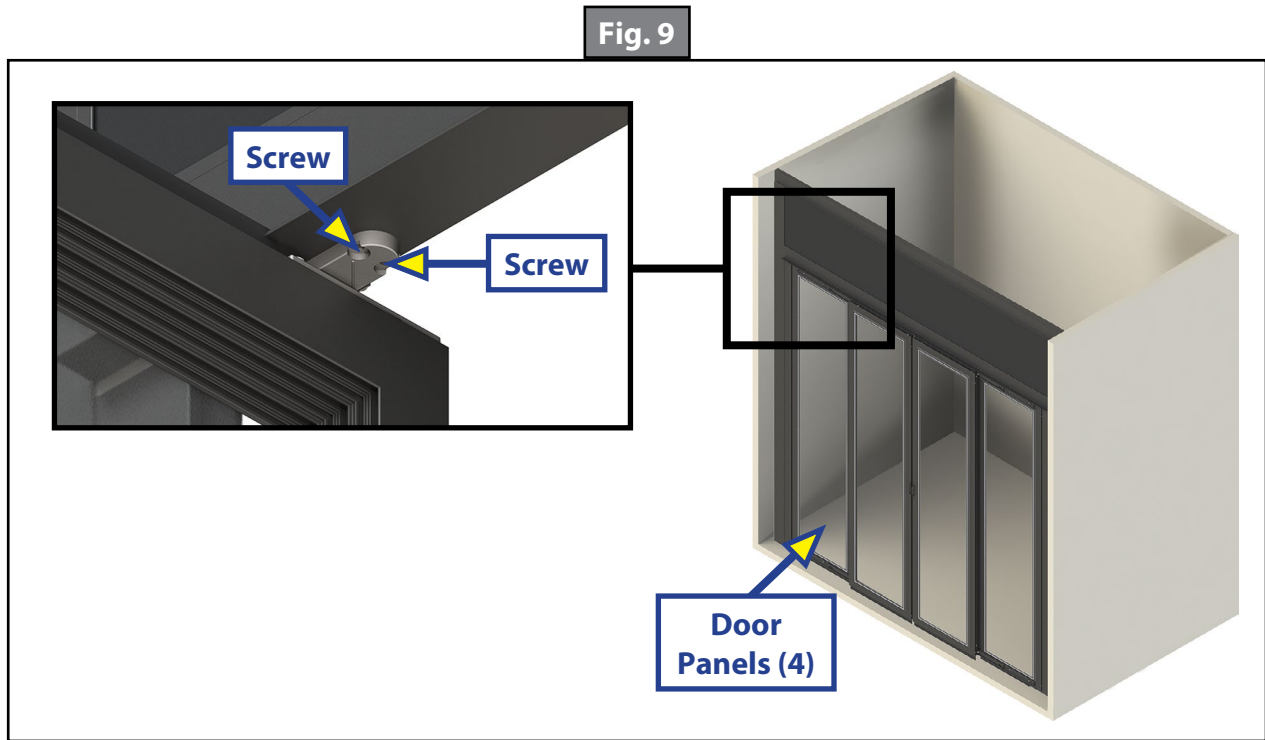
**⚠ CAUTION**

**Moving parts can pinch, crush or cut. Keep clear and use caution.**

15. Insert an additional screw between the top and center screws, and bottom and center screws. Exact location is not critical.
16. Draw header H-Bar down until all space at top of the door panels and header is gone. Open doors completely to test functionality. Make sure that doors swing open and close freely.



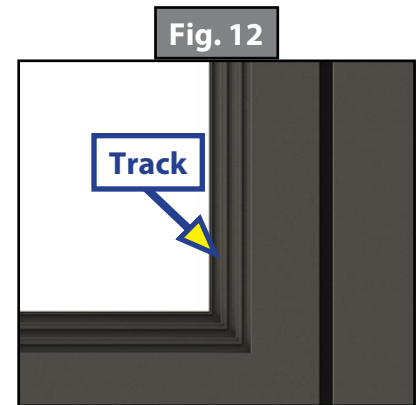
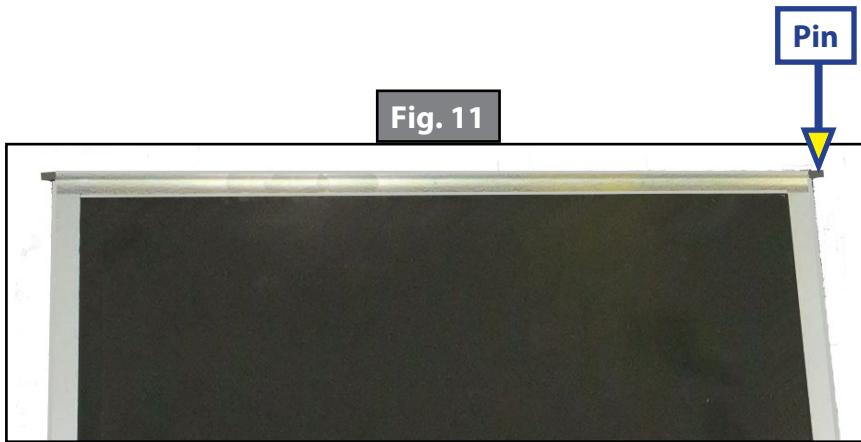
- 17. Secure hinge plates at the top and bottom of each door (Fig. 9).
- 18. Beginning at either the left or right side of the header panel, using OEM provided screws secure the header panel at the center of both sides of the H-Bar (Fig. 10).



## Door Panel Installation

The Lippert Patio Wall Armor panels have screen, tinted glass or privacy panel options that can be installed.

1. Insert the first panel under the horizontal mullion, in the middle of the door frame on track closest to the screen (Fig. 11).
2. Insert second panels into tracks on the door away from screen (Fig. 12). Repeat if an optional third panel is included.









# L I P P E R T C O M P O N E N T S<sup>®</sup>

The contents of this manual are proprietary and copyright protected by Lippert Components, Inc. ("LCI"). LCI prohibits the copying or dissemination of portions of this manual unless prior written consent from an authorized LCI representative has been provided. Any unauthorized use shall void any applicable warranty. The information contained in this manual is subject to change without notice and at the sole discretion of LCI.

Revised editions are available for free download from [lci1.com](http://lci1.com).

Please recycle all obsolete materials.

For all concerns or questions, please contact  
Lippert Components, Inc.

Ph: (574) 537-8900 | Web: [lci1.com](http://lci1.com) | Email: [customerservice@lci1.com](mailto:customerservice@lci1.com)