



FLOW MAX™ RV TOILET
OEM INSTALLATION MANUAL

TABLE OF CONTENTS

Introduction	2
Safety	2
Resources Required	3
Measurement Specifications	3
Installation	4

Introduction

The Flow Max™ RV Toilet is designed for use in recreational vehicles (RVs). These products are lightweight, residential-size toilets for installation directly above a holding tank.

For information on the assembly or individual components of this product, please visit:

<https://support.lci1.com/kitchen-and-bath/>

Note: Images used in this document are for reference only when assembling, installing and/or operating this product. Actual appearance of provided and/or purchased parts and assemblies may differ.

Safety

Read and understand all instructions before installing or operating this product. Adhere to all safety labels.

This manual provides general instructions. Many variables can change the circumstances of the instructions, i.e., the degree of difficulty, operation and ability of the individual performing the instructions. This manual cannot begin to plot out instructions for every possibility, but provides the general instructions, as necessary, for effectively interfacing with the device, product or system. Failure to correctly follow the provided instructions may result in death, serious personal injury, severe product and/or property damage.

WARNING

Failure to follow instructions provided in this manual may result in death, serious personal injury and/or severe product and property damage, including voiding of the component warranty.

CAUTION

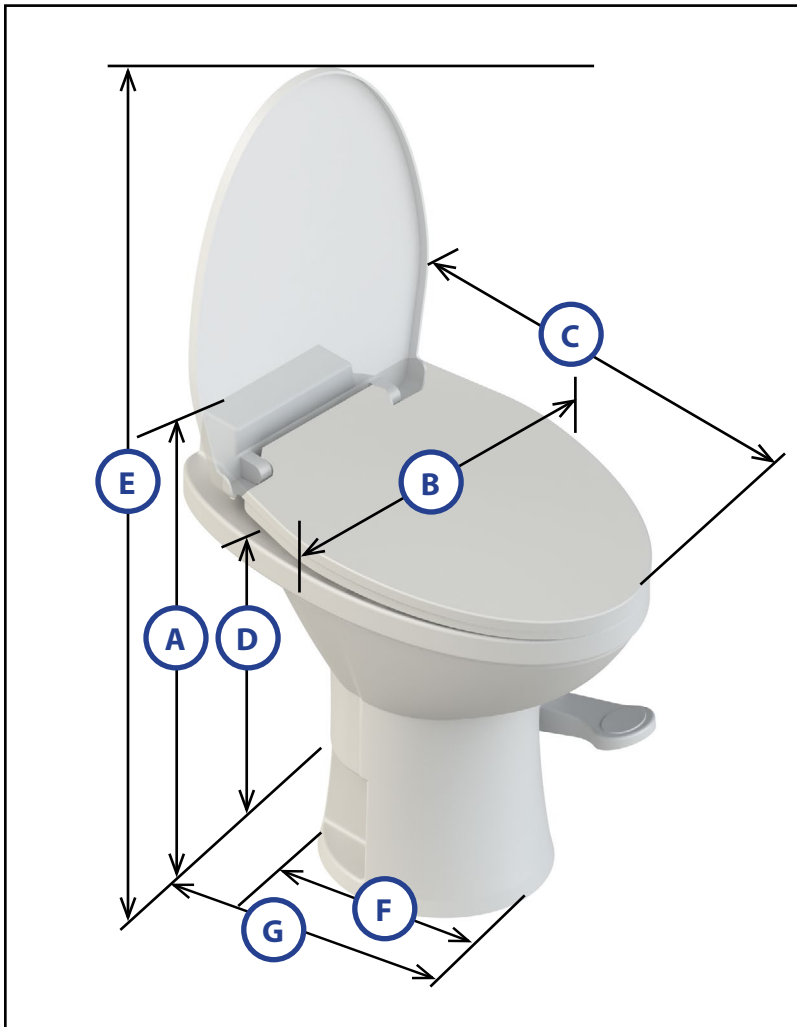
Always wear eye protection when performing service, maintenance or installation procedures. Other safety equipment to consider would be hearing protection, gloves and possibly a full face shield, depending on the nature of the task.

Resources Required

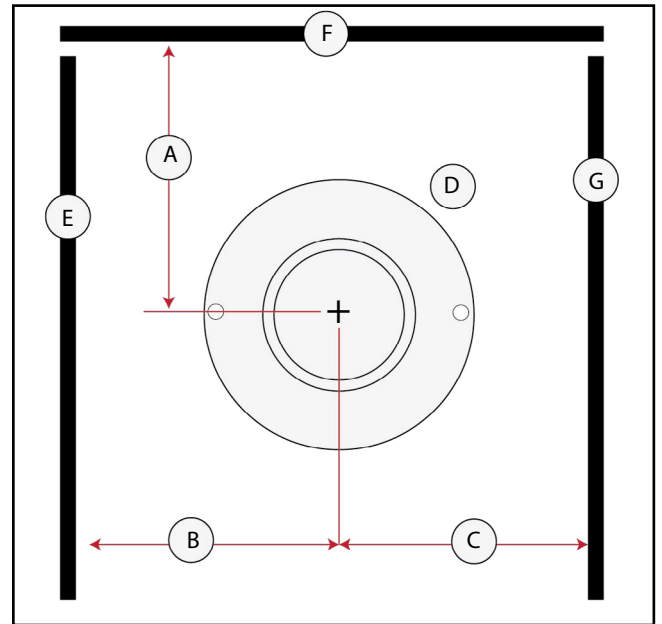
- Pliers, adjustable wrench, or torque wrench
- Screwdriver
- Caulk (if installed in a wet area)
- Elbow adapter (depending on water supply line)
- OEM-preferred floor flange
- Mounting hardware as needed
- Fasteners to mount floor flange as per supplier instructions

Measurement Specifications

Below is the minimum space requirements for installation.



Callout	Dimension
A	19.75" (502mm)
B	14.75" (375mm) (widest point of bowl)
C	22" (559mm)
D	18" (457mm) Seat Height
E	36" (914mm) Seat Lid Up
F	10.25" (260mm) Depth of pedestal
G	16.5" (419mm) Front to wall

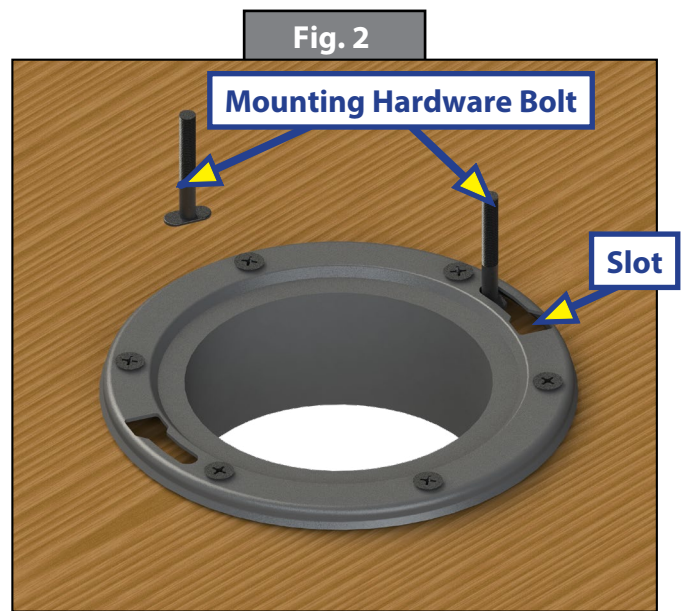
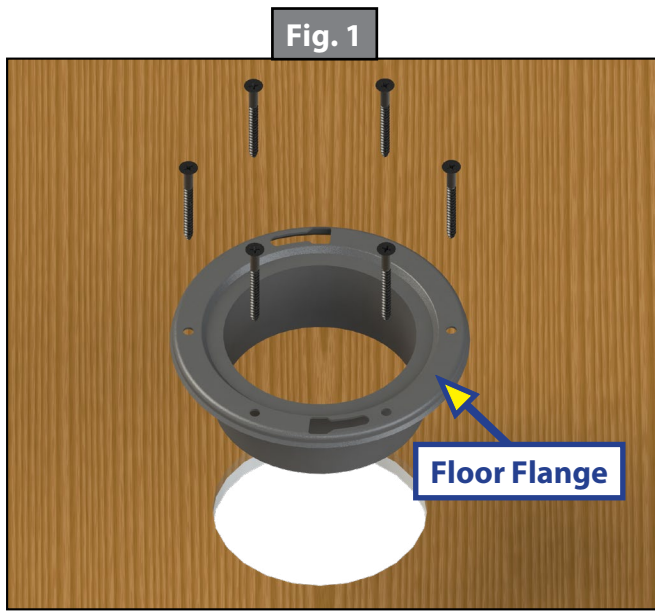


Callout	Dimension
A	12" (305mm)
B	11" (279mm)
C	11" (279mm)
D	Floor Flange
E	Left Wall
F	Back Wall
G	Right Wall

Note: There is a 400 lb. MAX weight rating.

Installation

1. Install the floor flange into outlet cut-out using fasteners as instructed by the floor flange supplier (Fig. 1).
2. Insert the toilet mounting hardware bolts into the slots in the floor flange (Fig 2).

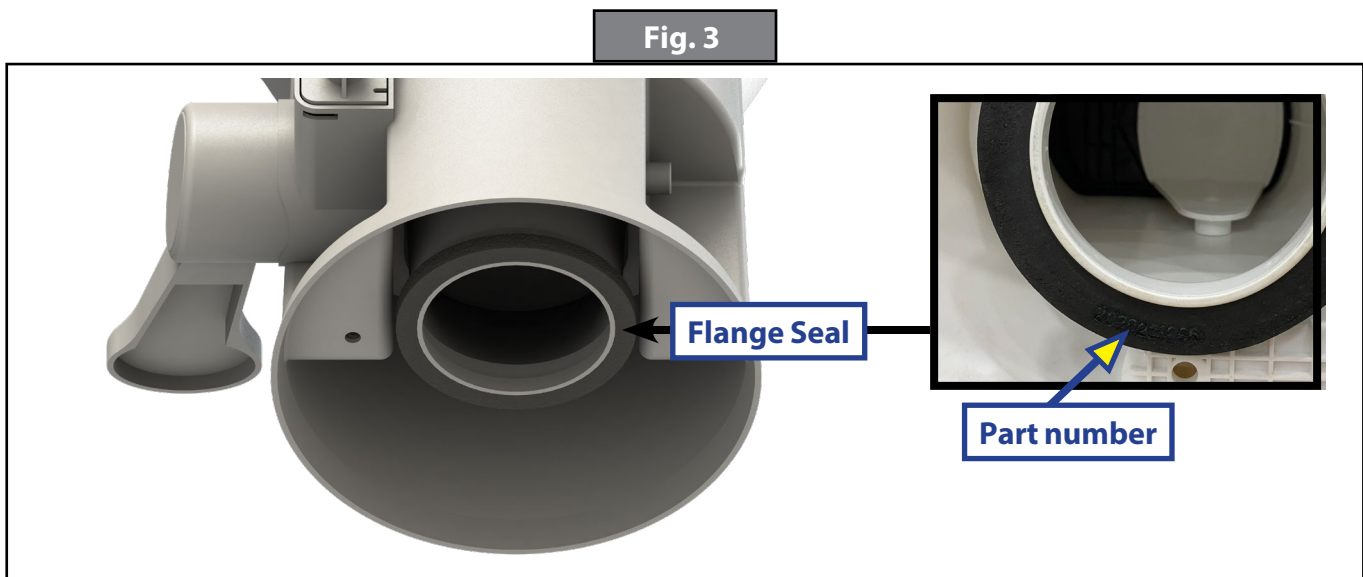


3. Install the floor flange seal to the base of the toilet (Fig. 3). On some models, the floor flange is already installed.

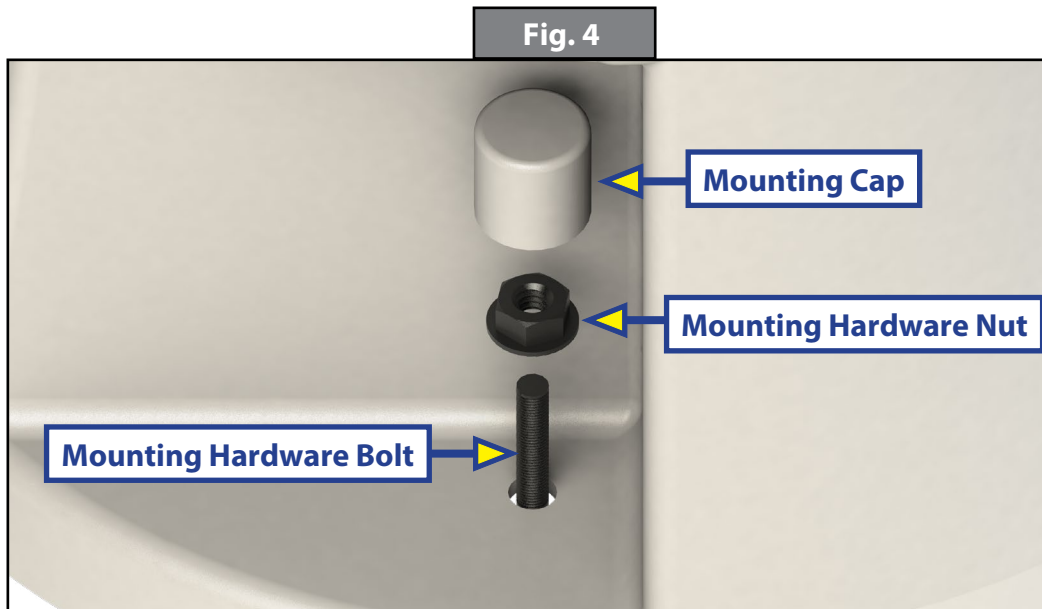
Note: The part number on the seal should be facing down for correct floor flange orientation.

4. Carefully position the toilet over the floor flange.
5. Install the mounting hardware nuts on the mounting hardware bolts (Fig. 4).

Note: The toilet base might not rest evenly against the floor at this time. The floor flange seal will compress as the following steps are completed.

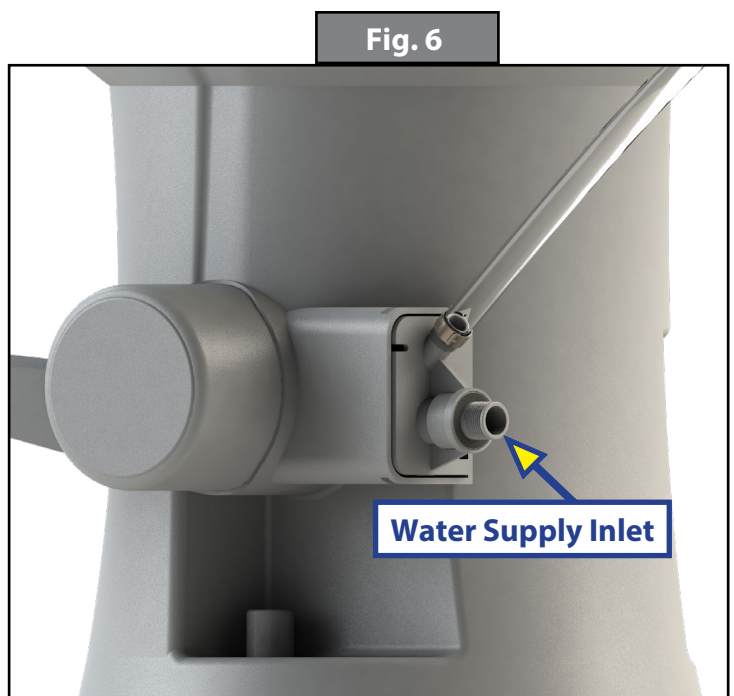
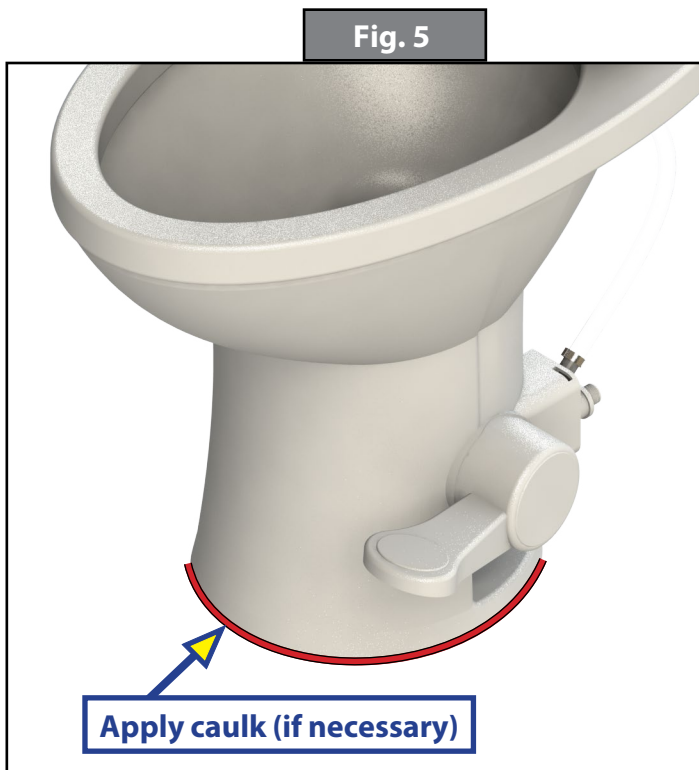


6. Tighten the mounting hardware nuts. If a torque wrench is available, tighten to 30–40 in-lb. (3.4–4.5 N·m). **DO NOT OVER-TIGHTEN.** Alternate between sides when tightening to prevent distortion. When the mounting hardware nuts are tight, the base of the toilet should be securely attached and flat against the floor.
7. Attach any mounting caps onto the mounting hardware nuts (Fig. 4).



Note: If the toilet is being installed in a shower stall (or other wet area), apply a bead of caulk around the base of the toilet to prevent water seepage under the base (Fig. 5).

8. Connect the water supply line (Fig. 6) and torque the connection to 30–40 in-lb. Do not over-tighten. If the water supply line comes out of the floor, install a 1/2" (13 mm) elbow fitting or adapter and apply a bead of caulk around the supply line at the floor.
9. Turn on the water supply.
10. Flush the toilet several times and check for leaks.
11. Test for leaks by filling the bowl with water and letting it set for an hour.





The contents of this manual are proprietary and copyright protected by Lippert. Lippert prohibits the copying or dissemination of portions of this manual unless prior written consent from an authorized Lippert representative has been provided. Any unauthorized use shall void any applicable warranty. The information contained in this manual is subject to change without notice and at the sole discretion of Lippert. Revised editions are available for free download from lippert.com.

Please recycle all obsolete materials.

For all concerns or questions, please contact Lippert
Ph: 432-LIPPERT (432-547-7378) | Web: lippert.com | Email: customerservice@lci1.com