



Flow Max™ Faucets

Installation and Owner's Manual

(For Aftermarket Applications)

Introduction

Add a splash of modern to your kitchen or bath with a Flow Max Faucet by Lippert. Available in a variety of spout constructions, including coiled spring and high-arched, we are challenging how the world feels about faucets. Constructed with quality stainless steel, black matte finish and satin bronze, these sleek faucets are designed for maximum lifespan and durability.

Safety Information

⚠ CAUTION

THE "CAUTION" SYMBOL ABOVE IS A SIGN THAT A SAFETY RISK IS INVOLVED AND MAY CAUSE PERSONAL INJURY AND/OR PRODUCT OR PROPERTY DAMAGE IF NOT SAFELY ADHERED TO AND WITHIN THE PARAMETERS SET FORTH IN THIS MANUAL

⚠ CAUTION

MOVING PARTS CAN PINCH, CRUSH OR CUT. KEEP CLEAR AND USE CAUTION.

⚠ CAUTION

UNIT MUST BE WINTERIZED PER MANUFACTURER'S RECOMMENDATIONS. FAILURE TO WINTERIZE THE UNIT COULD DAMAGE THE FAUCETS AND OTHER PLUMBING SYSTEM COMPONENTS.

Table of Contents

- Introduction 1
- Safety Information 1
- Parts List 2
- Resources Required 3
- Prior to Installation 3
- Installation 3
 - Fixed Faucet 3
 - Pull Down Faucet 4
- Operation 5
 - Fixed Faucet 5
 - Pull Down Faucet 6
- Troubleshooting Chart 7
- Maintenance 7
- Notes 8

Parts List



[719323](#)
Spring Faucet
Coil Spring Installation
Black matte
[2021090598](#)



[719324](#)
Curved Gooseneck
Fixed Installation
Black matte
[2021090601](#)



[719333](#)
Bullet Pull Down
Pull Down Installation
Black matte
[2021090600](#)



[719325](#)
Square Gooseneck
Fixed Installation
Black matte
[2021090597](#)



[2022007782](#)
Waterfall Bathroom Fixed
Installation
Black matte - [2021090599](#)



[2022109922](#)
Coil Spring Faucet
Stainless Steel/Black matte



[2024000071](#)
Bullet Pull Down Installation
Black matte/Satin Bronze



[2024000066](#)
Square Gooseneck
Satin Bronze

Part #	Description
Stainless Steel Finish	
719323	Coil Spring Faucet, Single Hole
719324	Curved Gooseneck Faucet, Single Hole
719325	Square Gooseneck Faucet, Single Hole
719333	Bullet Pull Down Faucet, Single Hole
2022007782	Waterfall Bathroom Faucet, Single Hole
Black Matte Finish	
2021090598	Coil Spring Faucet, Single Hole
2021090601	Curved Gooseneck Faucet, Single Hole
2021090597	Square Gooseneck Faucet, Single Hole
2021090600	Bullet Pull Down Faucet, Single Hole
2021090599	Waterfall Bathroom Faucet, Single Hole
Stainless Steel/Black Matte Finish	
2022109922	Coil Spring Faucet, Single Hole
Satin Bronze Finish	
2024000071	Bullet Pulldown Faucet - Black Matte/Satin Bronze
2024000066	Square Gooseneck Faucet- Satin Bronze

If your faucet is obsolete or not shown in this manual, there are numerous documents to assist with troubleshooting. Please visit support.lci1.com/kitchen.

Resources Required

- Phillips screw driver
- Adjustable wrenches
- Bucket
- Flashlight
- Safety glasses

Prior to Installation

1. Shut off the hot and cold water outlet supply valves for the existing faucet, typically located below the sink.
2. Relieve any pressure from the existing faucet by turning the existing faucet on and off.
3. Place a bucket under the sink, under the supply lines' supply valves to catch any excess water.
4. Using an adjustable wrench, disconnect the supply lines from the outlet water supply valves. Place the supply lines into the bucket to drain any excess water.
5. Under the sink, disconnect the mounting hardware for the existing faucet and remove the faucet from the deck.
6. Make sure the deck around the mounting hole area is clean, dry and free from any debris.

Installation

Fixed Faucet

1. Unscrew the metal collar with the two screws from the faucet base and set aside (**Fig.1A**).
2. Remove the metal washer (**Fig.1B**) from the base and set aside.

NOTE: Leave black rubber washer (**Fig.1C**) on faucet.

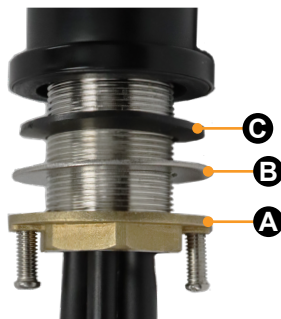


Fig.1

3. Place the faucet supply lines through the mounting hole on the deck, making sure the black rubber washer and faucet base are seated firmly on the deck of the sink (**Fig.2A**).
4. Position the faucet base so the handle is to the right side of the faucet base (**Fig.2B**).

NOTE: The handle can be positioned to the left of the faucet base but is typically placed to the right. Placing the handle in the middle may cause severe burns depending on where the faucet neck is located when turning on the water.

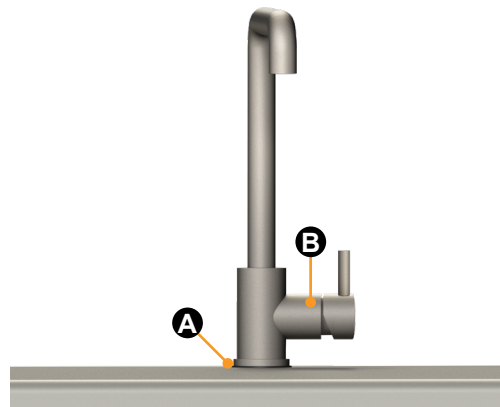


Fig.2

5. Under the sink, slide the metal washer (**Fig. 1B**) over the supply lines onto the base of the faucet. Make sure the metal washer is flush against the underside of the sink deck and covering the mounting hole (**Fig.3A**).

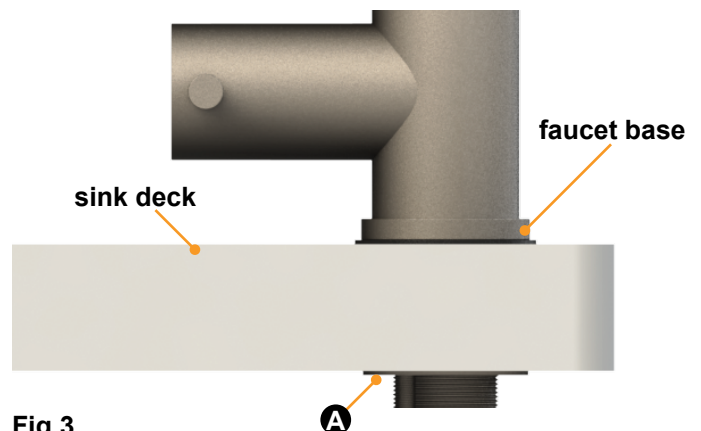


Fig.3

6. Make sure the two screws on the collar are evenly inserted and are flushed with the top of the collar (**Fig.4A**).

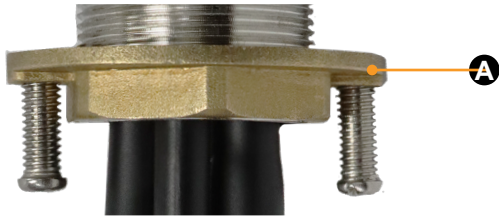


Fig.4

7. Screw the collar onto the faucet base all the way up to the metal washer (**Fig.5A**).

NOTE: Make sure the handle of the faucet is placed in the desired position.

8. Using a Phillips screwdriver, tighten the two screws (**Fig.5B**) on the collar to hold the collar into place.

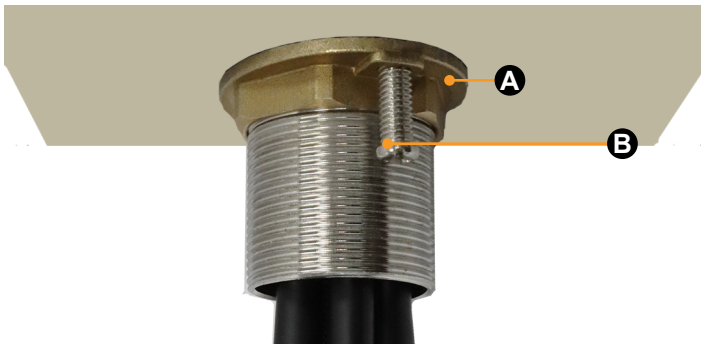


Fig.5

NOTE: The red-marked supply line is for hot water and the blue-marked supply line is for the cold water.

9. Thread the nut on the hot water supply line onto the hot water outlet supply valve and tighten with an adjustable wrench. Do not over tighten.

10. Thread the nut on the cold water supply line onto the cold water outlet supply valve and tighten with an adjustable wrench. Do not over tighten.

11. Turn the hot and cold water outlet supply valves back on and check for any leaks.

Pull Down Faucet

1. Unscrew the black plastic coupler from the faucet base and slide off from the faucet assembly.

NOTE: Wiggle the plastic collar off the supply lines one line at a time.

2. Slide the clear plastic washer off the faucet assembly.

3. Place the faucet supply lines through the mounting hole on the deck, making sure the black rubber washer and faucet base are seated firmly on the deck of the sink (**Fig.6A**).

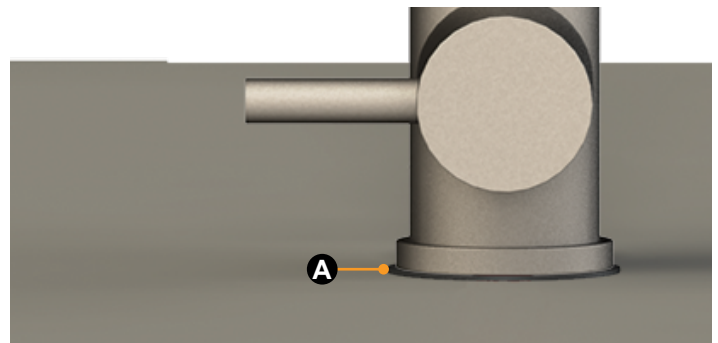


Fig.6

4. Under the sink, slide the clear plastic washer over the supply lines up to the underside of the sink deck and covering the mounting hole (**Fig.7A**).



Fig.7

5. Slide the black plastic collar back onto the supply lines, inserting one supply line at a time.

NOTE: Make sure the inside threads of the black plastic coupler are at the top.

6. Screw the black plastic collar all the way up the faucet base until it will no longer turn (**Fig.8A**).

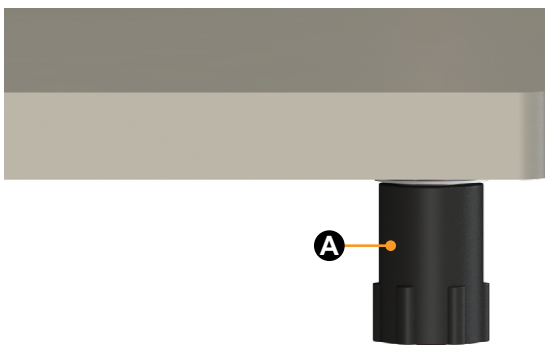


Fig.8

NOTE: The red marked supply line is for hot water and the blue marked supply line is for the cold water.

7. Thread the nut on the hot water supply line onto the hot water outlet supply valve and tighten with an adjustable wrench. Do not over tighten.

8. Thread the nut on the cold water supply line onto the cold water outlet supply valve and tighten with an adjustable wrench. Do not over tighten.

9. Turn the hot and cold water outlet supply valves back on and check for any leaks.

Operation

Fixed Faucet

1. Pull the lever away from the faucet to turn it on (**Fig.9A**).

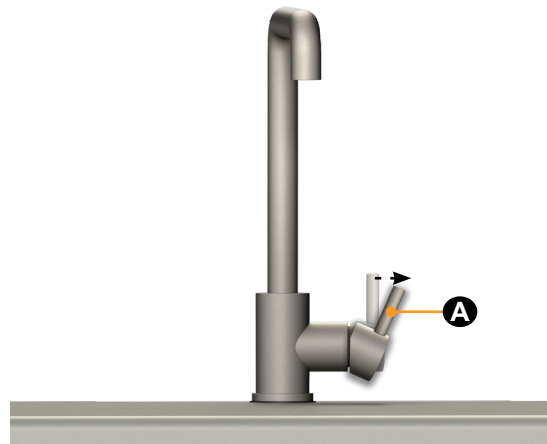


Fig.9

2. Move the lever towards you for hot water (**Fig. 10**) and away from you for cold water (**Fig. 11**).

NOTE: Located on the front of the lever is a "H" for hot water and a "C" for cold water. Move the lever in the direction of the desired temperature.

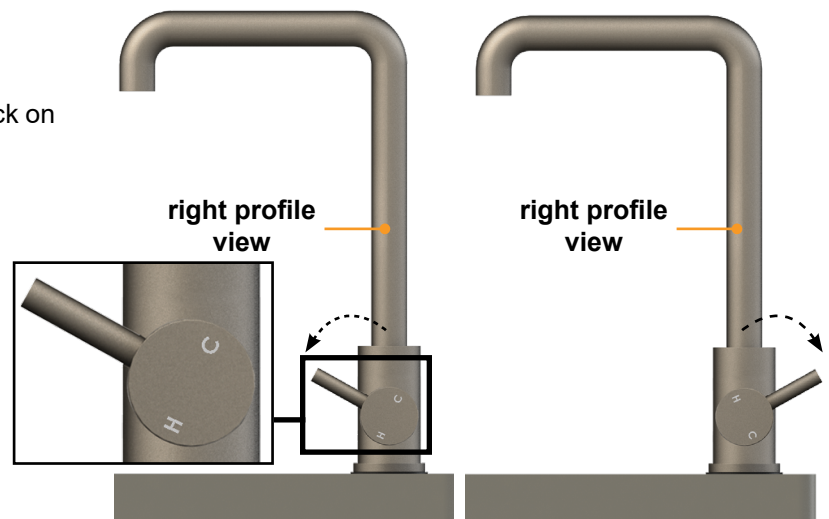


Fig.10

Fig.11

3. Push the lever in towards the faucet to shut the water off (**Fig.12A**).

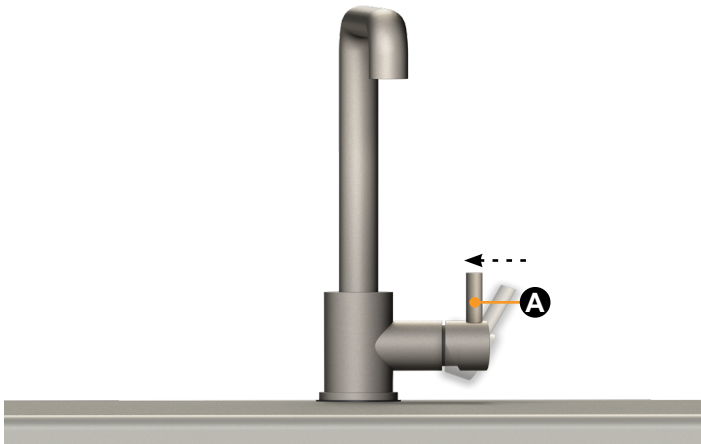


Fig.12

Pull Down Faucet

1. Pull the lever away from the faucet to turn it on (**Fig.13A**).

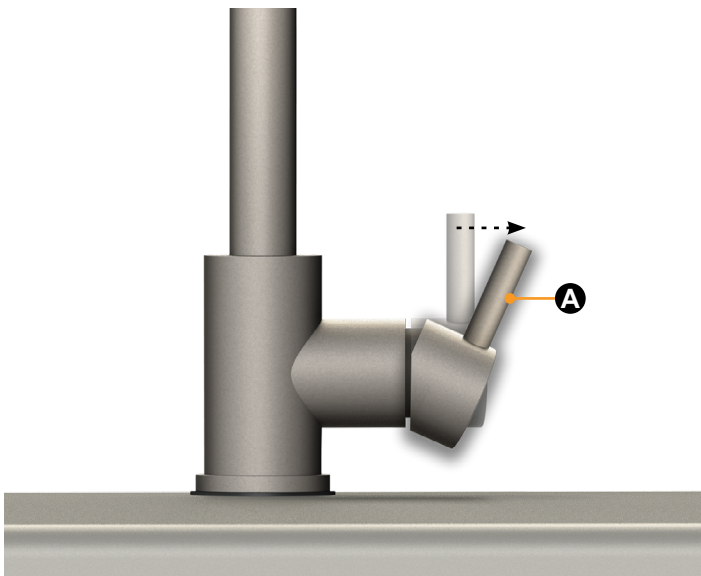


Fig.13

2. Move the lever towards you for hot water (**Fig.14**) and away from you for cold water (**Fig.15**).

NOTE: Located on the front of the lever is a "H" for hot water and a "C" for cold water. Move the lever in the direction of the desired temperature.

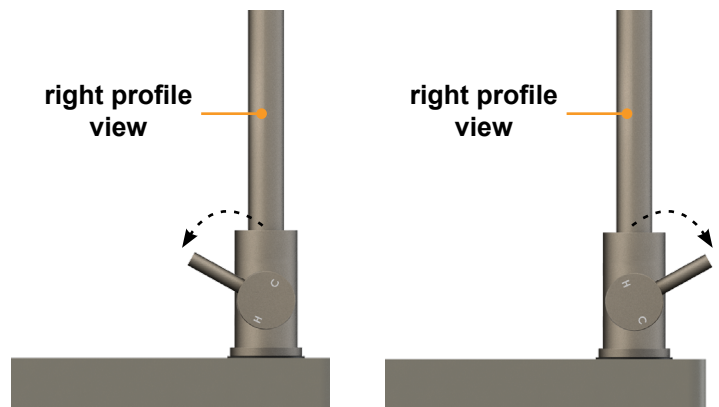


Fig.14

Fig.15

3. To use the spray wand pull down and out on the faucet head.

4. Press and release the button in on the lower portion of the faucet head (**Fig.16A**) for spray mode. Press and release the button again for stream mode.



Fig.16

5. Replace the faucet head by gently guiding the hose back into the faucet neck and insert into clip, if applicable.

6. To shut the water off push the lever in towards the faucet (Fig.17).

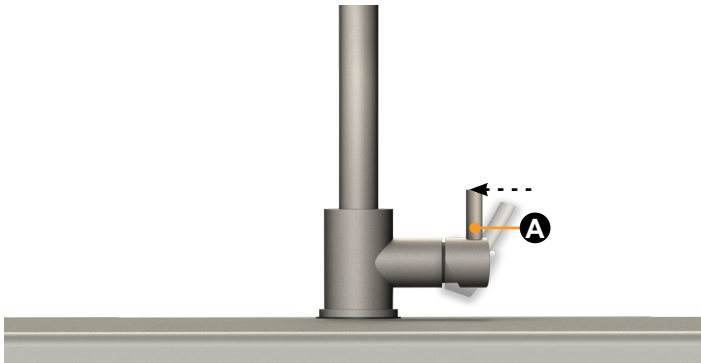


Fig.17

Maintenance

1. Clean the faucet periodically.
2. Apply a coat of toothpaste to a wet soft-bristle toothbrush.

NOTE: Avoid abrasive cleaners, steel wool and chemical solutions as these will dull the finish and void the warranty.

3. Brush over the surface of the faucet.
4. After cleaning, rinse the faucet thoroughly with water, washing away all the remains of the paste.
5. Rub dry with a soft cloth.

⚠ CAUTION

UNIT MUST BE WINTERIZED PER MANUFACTURER'S RECOMMENDATIONS. FAILURE TO WINTERIZE THE UNIT COULD DAMAGE THE FAUCETS AND OTHER PLUMBING SYSTEM COMPONENTS.

Troubleshooting Chart

Vibration caused by driving or transporting can loosen plumbing and hardware. Check for loose system components. Many symptoms can be resolved by tightening hardware. Use care not to over-tighten. Refer to the chart for troubleshooting tips.

What is happening?	Why?	What should be done?
Irregular Flow	Blockage at the aerator.	For further instructions reference: TI-400 Flow Max Faucets Low Water Flow Troubleshooting
	Cartridge is clogged.	For further instructions reference: TI-394 Flow Max Faucet Cartridge Replacement
There is a leak from the aerator when the faucet is on.	The aerator does not fit correctly on the faucet.	Remove aerator and re-install.
The aerator has irregular or reduced water flow.	The aerator is dirty.	Remove aerator and clear debris.

If your faucet is obsolete or not shown in this manual, there are numerous documents to assist with troubleshooting. Please visit support.lci1.com/kitchen.

