



**MANUAL
OVERRIDE WRENCH
OWNER'S MANUAL**

**L I P P E R T
C O M P O N E N T S[®]**

TABLE OF CONTENTS

Introduction	2
Safety	2
Preparation	2
Manual Override	2
Manual Operation For Stabilizers	3
Manual Operation For Tongue Jacks	3

Introduction

This product is a 3 in 1 manual override handle for your tongue jack or stabilizer system. The three options are $\frac{3}{4}$ " hex override, $\frac{5}{16}$ " hex override, and pin override (as seen on the PSX1). The $\frac{3}{4}$ " socket can be used on tongue jacks and scissor jacks. The $\frac{5}{16}$ " socket is intended for PSX2, and the pin override is intended for PSX1.

Safety

Read and understand all instructions before starting any procedures stated in this manual. Adhere to all safety labels to prevent personal injury and/or product damage. Failure to follow instructions and safety labels may void product warranty.

WARNING

The "WARNING" symbol above is a sign that a procedure has a safety risk involved and may cause death or serious personal injury if not performed safely and within the parameters set forth in this manual.

WARNING

Failure to follow instructions provided in this manual may result in death, serious personal injury and/or severe product and property damage, including voiding of the component warranty.

WARNING

Trailer **MUST** be supported per manufacturer's recommendations before working underneath. Failure to do so may result in death or serious personal injury.

CAUTION

Moving parts can pinch, crush or cut. Keep clear and use caution.

Preparation

1. Applicable tongue jack or stabilizer owner's manual with operation, override and troubleshooting instructions.
2. Frame supports as per manufacturers recommendations.

Manual Override

Most stabilizers and tongue jacks come equipped with a manual override system.

NOTE: The manual override procedure must be performed individually on each motor of PSX2 in order to manually extend or retract the stabilizer legs.

Manual Operation For Stabilizers

⚠ CAUTION

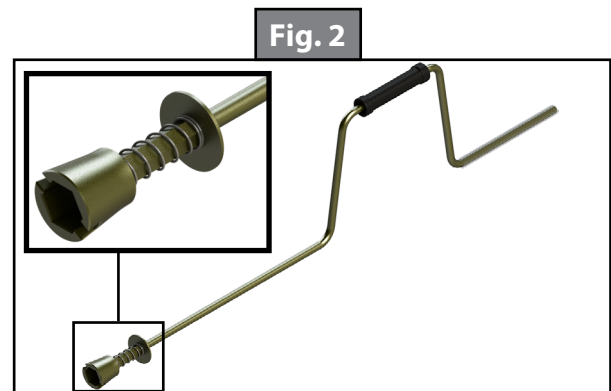
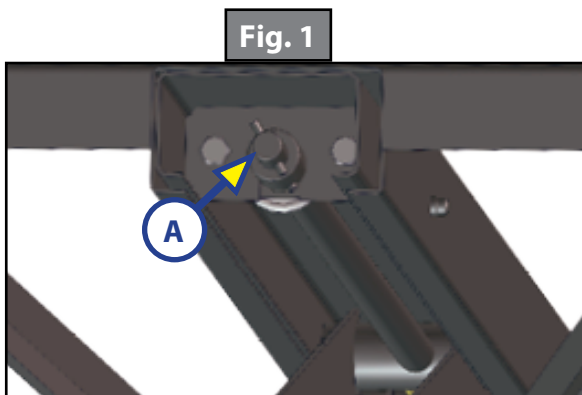
The gears can be stripped if the stabilizer legs are retracted/extended to the fullest extent and the operator continues to rotate the manual override. Do NOT use a power tool to extend or retract stabilizers.

⚠ CAUTION

Operating the stabilizer without grease on the screw could lead to product failure.

1. If equipped, disconnect one of the wire leads from the motor to prevent backfeeding the motor.
2. Insert the ½" pin over the nut or coupler and pin in the end of the stabilizer (Fig. 1A). The slot in the end of the Manual Override Wrench (Fig. 2) accommodates the pin on the coupler (Fig. 1A) to allow the manual extension/retraction of the stabilizer legs. Rotate the Manual Override Wrench clockwise to extend or counterclockwise to retract the stabilizer legs.

NOTE: Make sure the stabilizer legs are fully retracted before moving the trailer.



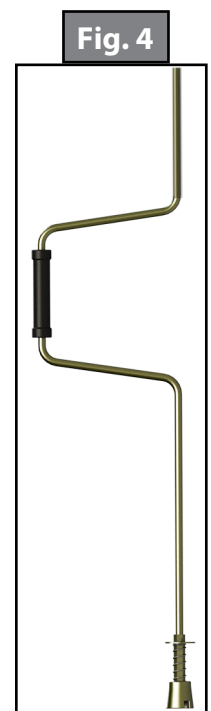
Manual Operation For Tongue Jacks

⚠ CAUTION

Chock the tires of the trailer. Be sure the footpad of the tongue jack is pinned securely in place with the clevis pin and hairpin cotter pin. Make sure the ground surface under the tongue jack is firm and level.

1. Open the rubber plug on top of the tongue jack's gearbox (Fig. 3A) to expose the manual drive shaft.
2. Insert the Manual Override Wrench (Fig. 4).
3. Turn the crank handle counterclockwise to retract the jack leg or clockwise to extend the jack leg.
4. Remove the crank handle.
5. Replace the rubber plug.

NOTE: Be sure the leg of the tongue jack is fully retracted prior to moving the tow vehicle.





L I P P E R T C O M P O N E N T S[®]

The contents of this manual are proprietary and copyright protected by Lippert Components, Inc. ("LCI"). LCI prohibits the copying or dissemination of portions of this manual unless prior written consent from an authorized LCI representative has been provided. Any unauthorized use shall void any applicable warranty. The information contained in this manual is subject to change without notice and at the sole discretion of LCI.

Revised editions are available for free download from lci1.com.

Please recycle all obsolete materials.

For all concerns or questions, please contact
Lippert Components, Inc.

Ph: (574) 537-8900 | Web: lci1.com | Email: customerservice@lci1.com