



Waste Master® Tubular Storage Enclosure Installation and Owner's Manual (For Aftermarket Applications)

Table of Contents

Introduction	1
Safety	2
Parts List	2
Resources Required	2
Mounting Options	3
Installation	3
Enclosure and Door Frame Assembly	3
Storage Tube	4
Attaching the Storage Tube to the Enclosure	4

Introduction

This document is intended to provide instruction for the installation, and use, of the Waste Master® Tubular Storage Enclosure.

Looking for a way to store your new Waste Master hose in your RV? We have the perfect solution. Our enclosure is custom molded to hold the nozzle securely and the door comes with a key and lock for added security.

This storage system can be installed inside of a compartment or underneath your RV and the enclosure/door can be installed either vertically or horizontally.

Hose storage tube not included. See Storage Tube section.

NOTE: Images used in this document are for reference only when assembling, installing and/or operating this product. Actual appearance of provided and/or purchased parts and assemblies may differ.

Additional information about this product can be obtained from drainmaster.com or by using the myLCI app. Replacement kits can be ordered from <https://store.lci1.com/> or by using the myLCI app.

The myLCI app is available for free on iTunes® for iPhone® and iPad® and also on Google Play™ for Android™ users.

iTunes®, iPhone®, and iPad® are registered trademarks of Apple Inc.

Google Play™ and Android™ are trademarks of Google Inc.

Waste Master® Tubular Storage Kit

Part #	Description
362881	Enclosure & Door



LIPPERT
COMPONENTS®

Waste Master® Tubular Storage Enclosure

Installation and Owner's Manual

(For Aftermarket Applications)

Safety

Read and fully understand all instructions before installing or operating this product.

Adhere to all safety labels.

This manual provides general instructions. Many variables can change the circumstances of the instructions, i.e., the degree of difficulty, operation and ability of the individual performing the instructions. This manual cannot begin to plot out instructions for every possibility, but provides the general instructions, as necessary, for effectively interfacing with the device, product or system. Failure to correctly follow the provided instructions may result in death, serious personal injury, severe product and/or property damage, including voiding of the LCI limited warranty.

NOTE: Part numbers are shown for identification purposes only. Not all parts are available for individual sale. All parts with a link to the Lippert Store can be purchased.

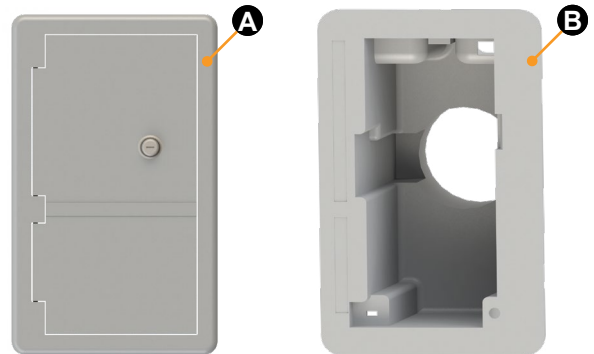
⚠ CAUTION

ALWAYS WEAR EYE PROTECTION WHEN PERFORMING SERVICE OR MAINTENANCE TO THE UNIT. OTHER SAFETY EQUIPMENT TO CONSIDER WOULD BE HEARING PROTECTION, GLOVES AND POSSIBLY A FULL FACE SHIELD, DEPENDING ON THE NATURE OF THE SERVICE.

⚠ CAUTION

MOVING PARTS CAN PINCH, CRUSH OR CUT. KEEP CLEAR AND USE CAUTION.

Parts List



Aftermarket Kit #362881			
Letter	PN	Description	Qty
A	362882	Enclosure Door	1
B	362883	Nozzle Enclosure	1

Resources Required

- 4" x 10' Sch 40 PVC pipe
- 4" Sch 40 PVC end cap
- Large hose clamp to fit the 4" pipe
- All purpose PVC cement
- Strapping or 12" cable ties to support storage tube
- Saw with fine-tooth blade for metal and PVC
- Electric or cordless drill or screw gun
- Appropriate drill bits
- Appropriate drive bits
- Tape measure



Waste Master® Tubular Storage Enclosure

Installation and Owner's Manual

(For Aftermarket Applications)

Mounting Options

The enclosure can be mounted in either a vertical (Fig.1A) or horizontal position (Fig. 1B). Additionally, it can be installed underneath the RV or inside of a compartment.

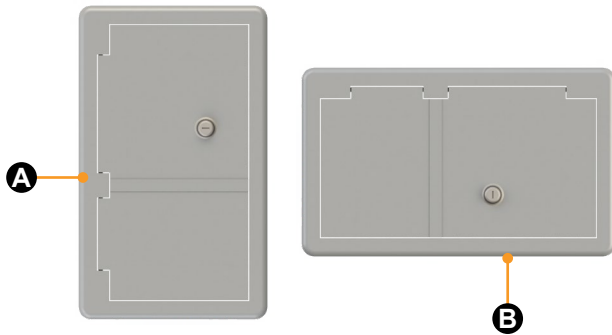


Fig.1

NOTE: A rectangular opening of 11" x 5 1/4" will need to be made (Fig.2).

NOTE: Consult the manufacturers manuals or qualified service technician to determine the best location for installation.

NOTE: Strapping or cable ties may be used to secure or support the storage tube once the system is installed.

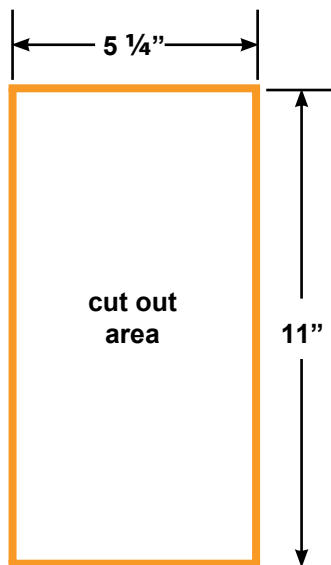


Fig.2

Installation

Enclosure and Door Frame Assembly

1. Locate spring latch on the interior side of the enclosure door (Fig.3).

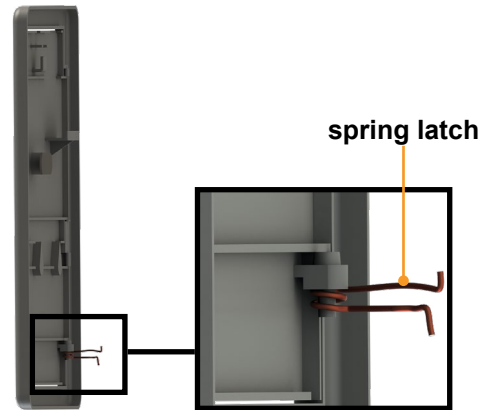


Fig.3

2. Insert the spring latch through the hole in the lower left corner of the enclosure (Fig.4).

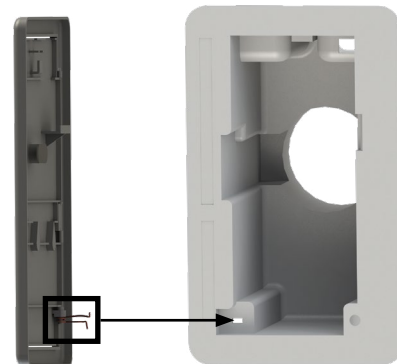


Fig.4

3. Line up door frame with enclosure and snap on the door (Fig.5A).

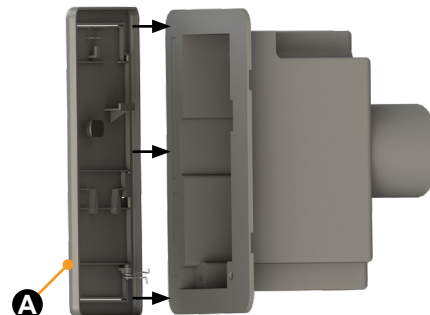


Fig.5



LIPPERT
COMPONENTS®

Waste Master® Tubular Storage Enclosure Installation and Owner's Manual (For Aftermarket Applications)

Storage Tube

The storage tube, end cap, all-purpose cement and hose clamp will need to be purchased separately from the enclosure kit. The tube can be purchased from most home improvement or larger plumbing stores. The tube must be 4" in diameter and at least 10' long which can be cut to size.

NOTE: If there is limited access for installation, it may be necessary to cut the 10' tube into two shorter parts and join with a coupler to make up the total length needed.

Attaching the Storage Tube to the Enclosure

1. Using a tape measure, mark a 3 1/8" deep by 2" wide notch on the end of the storage tube (Fig.6B).

NOTE: Orange lines indicate where material is being removed.

2. Using a saw, cut the notch into the storage tube so that the tube will slide all the way onto the outlet on the back of the enclosure (Fig.6A). The tube should fit snugly.

NOTE: Make sure the saw is equipped with a fine-toothed blade intended for metal or PVC materials.

3. Using a tape measure, determine the length of storage tubing needed for storage of the Waste Master sewer hose.

4. Cut the 10' piece of pipe to fit the Waste Master sewer hose when fully collapsed allowing for variation.

5. Apply all-purpose cement to the inside edge of the end cap and around the newly cut end of the storage tube.

6. Prior to attaching the tube to the enclosure, slide the hose clamp onto the cut end of the tube. The hose clamp should be positioned just behind the notch in the tube made in step 2 (Fig. 6C). Do NOT use glue to attach storage tube.

NOTE: Green lines indicate where the hose clamp is positioned.

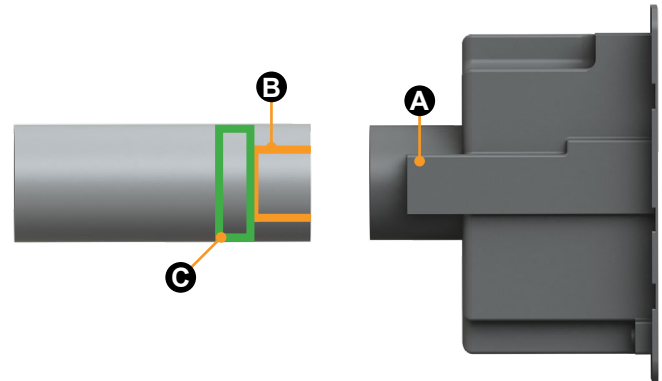


Fig.6

7. With storage tube securely attached to the enclosure, tighten the hose clamp.



LIPPERT
COMPONENTS®

Manual information may be distributed as a complete document only, unless Lippert Components provides explicit consent to distribute individual parts.

All manual information is subject to change without notice. Revised editions will be available for free download at lci1.com. Manual information is considered factual until made obsolete by a revised version.

Please recycle all obsolete materials and contact Lippert Components with concerns or questions.