



WASTE MASTER[®]
OWNER'S MANUAL

L I P P E R T
C O M P O N E N T S[®]

TABLE OF CONTENTS

Introduction	2
Operation	3
Troubleshooting	4
Hose Removal (If System Has Permanent Connection to Unit)	4
Nozzle Replacement	5
Waste Master® Assembly	6
Waste Master Components	7-11

Introduction

Unlike traditional hose coils that trap debris, the Waste Master® hose is designed with its helical coil on the outside, while the inside is much smoother, preventing waste from getting trapped inside the hose. The UV-protected hose features "stay put" technology that keeps it extended during use to the exact length required. The Waste Master will feature either a cam lock connection or a bayonet connection from the Waste Master hose to the unit's waste water outlet pipe. The Waste Master optional storage box may be mounted on the chassis in proximity to the unit's waste water outlet pipe for a permanent cam lock or bayonet connection. The storage box may also be mounted elsewhere on the unit for convenient storage of the Waste Master hose and nozzle assembly.

CAUTION

Use proper personal protective equipment when operating the Waste Master system. PPE to consider could include gloves and goggles.

Operation

1. Unlock and open the Waste Master storage box door (Fig. 1A).
2. Pull the Waste Master nozzle (Fig. 1B) from the storage box and slightly open the nozzle using the lever (Fig. 2A) to allow air to enter as hose extends. "Open" (Fig. 2B) and "Close" (Fig. 2C) are marked on the nozzle.

NOTE: If your system is not permanently connected to the unit's waste water outlet pipe, remove the entire Waste Master hose from the storage box. Connect the hose to the fitting (cam lock or optional bayonet adapter) at the waste water outlet pipe.

- A. If equipped with a cam lock (Fig. 3) open the cam lock arms on the unit's waste water outlet pipe. The arms open away from the unit. Insert end of the Waste Master hose into the cam lock. Close the arms.
 - B. If equipped with bayonet fitting (Fig. 5), place the hose's bayonet fitting on the unit's waste water outlet pipe. Turn the bayonet fitting clockwise to lock into place.
3. Walk to the sewer inlet and insert the tapered end of the nozzle into the sewer inlet. Close the nozzle using the lever.
 4. Walk back to the unit and open the black tank gate valve on the unit.
 5. Open the nozzle by turning the lever. Let the black tank fully drain and then close the nozzle and the black tank gate valve on the unit.

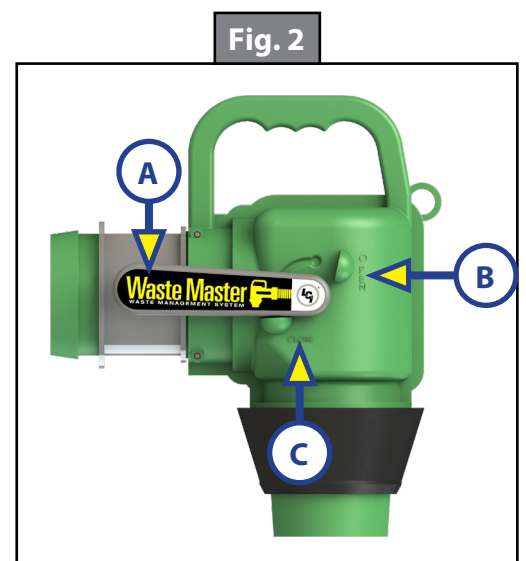
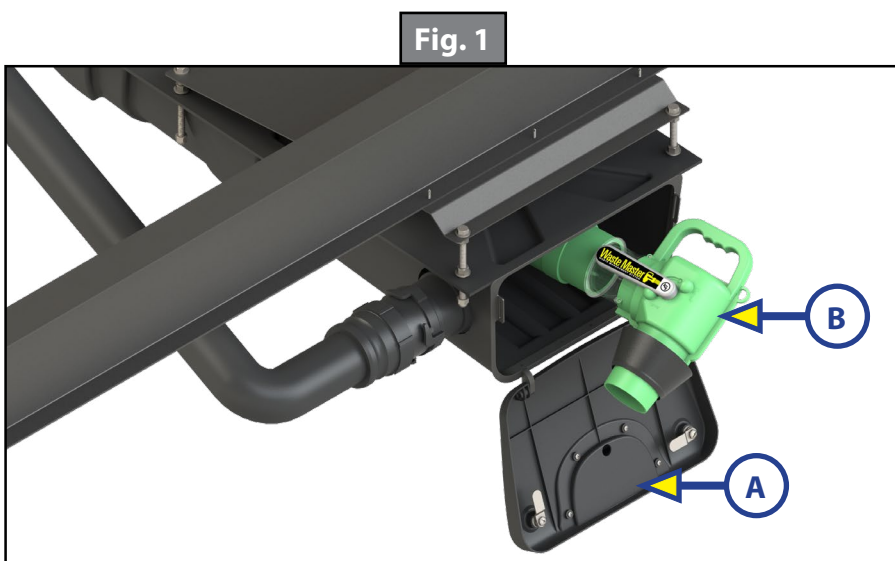
NOTE: Common industry practice is to empty the black (waste water) tank first, followed by the gray (sink and shower water) tank(s). This order allows the gray water to flush out the sewer hose and helps prevent sewage from remaining in the hose after emptying the tanks.

6. Open the gray tank gate valve on the unit.
7. Open the nozzle by turning the lever. Let the gray tank fully drain. Close the nozzle, but leave the gray tank gate valve on the unit open to allow air to purge as the hose retracts.
8. Once tanks are empty, hold the nozzle and walk back to the unit. Lay the nozzle on the ground, grasp hose near the storage box and begin to collapse the hose and push it back into the storage box.

NOTE: If your system is not permanently connected to the unit's waste water outlet pipe, disconnect the hose from the fitting (cam lock or bayonet) at the waste water outlet pipe:

- A. If equipped with a cam lock fitting, open the cam lock arms and disconnect the hose. The arms open away from the unit.
 - B. If equipped with a bayonet fitting, turn the fitting counterclockwise and disconnect the hose.
 - C. Collapse the hose and insert it into the storage box, if equipped.
9. Close the storage box door and the gray tank gate valve upon completion.

NOTE: The lever on the side of the nozzle must be in the closed position during storage and transportation.

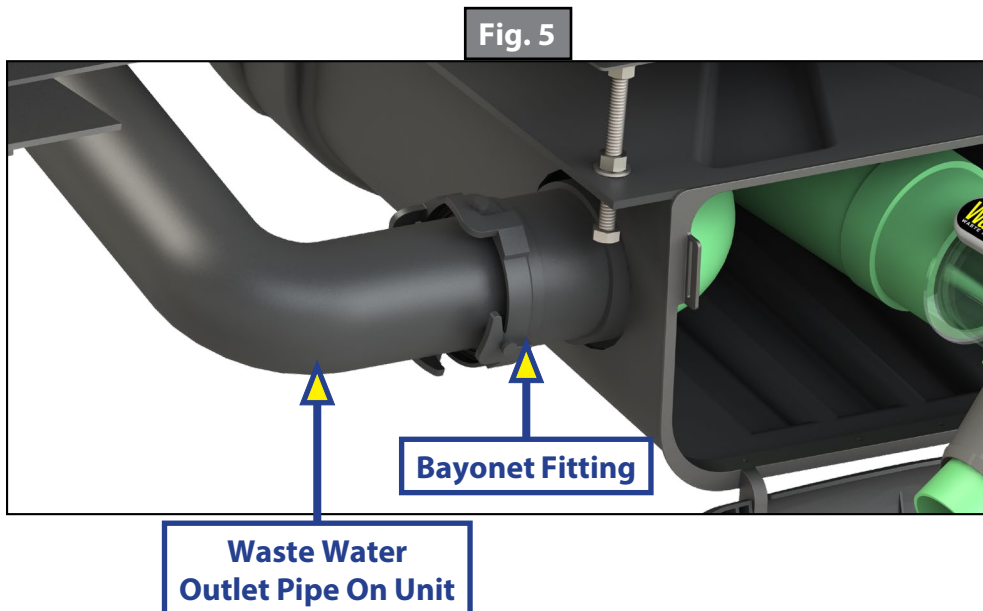
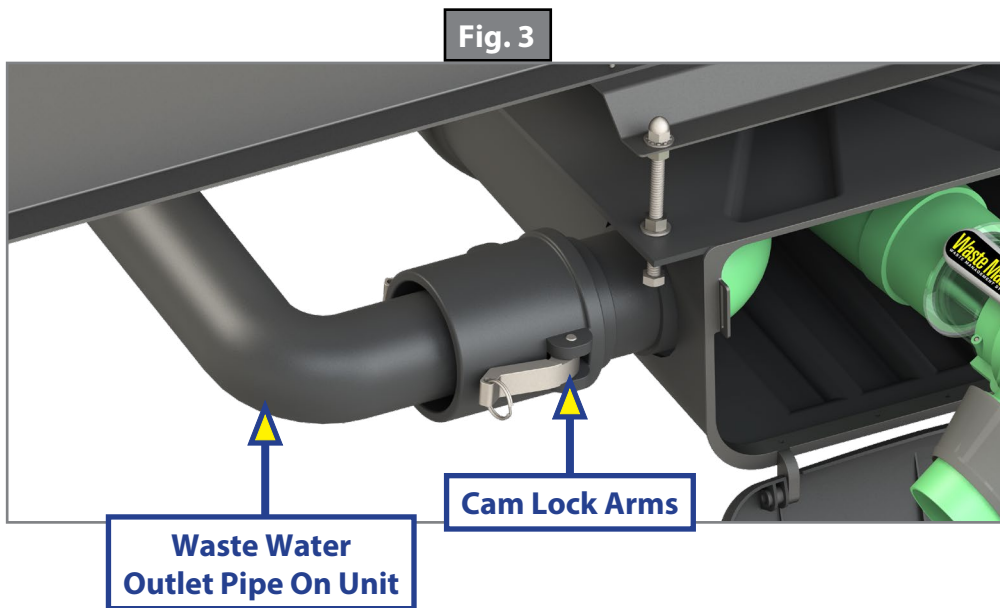


Troubleshooting

Hose Removal (If System Has Permanent Connection to Unit)

1. The unit's waste water outlet pipe will be fitted with either a Waste Master cam lock or Waste Master optional bayonet adapter. To remove the hose assembly from the waste water outlet:
 - A. If equipped with cam lock (Fig. 3): Release the two secure cam lock arms from the female section of the Waste Master (arms open toward the Waste Master box). Once both arms are opened, the hose section should separate from the waste water outlet.
 - B. If equipped with the optional bayonet adapter kit (Fig. 5): Turn the bayonet fitting counter-clockwise to separate hose section from the waste water outlet.
2. Remove the entire length of hose from the box.
3. If equipped with cam lock, insert the provided cam lock cap (Fig. 4A) into the cam lock to insure that no waste water drips from the terminal end of the plumbing.

NOTE: The cam lock cap is required during storage and transportation of the unit if the male cam lock fitting on the hose is not locked into the female cam lock fitting at the unit.



Nozzle Replacement

Resources Required

- Waste Master Ball Valve Kit - PN 349521 (Fig. 6)
- Waste Master Seal Replacement Kit - PN 360807 (Fig. 7)
- 1/8" Punch
- Hammer

1. At the nozzle, drive the two pins (Fig. 8A) out with a 1/8" punch and hammer.

NOTE: Drive pins out toward operating lever.

2. Remove nozzle from hose.
3. Before installing new nozzle, make sure new end seal (Fig. 8B) is in place in the bottom of the nozzle (flat end of seal in groove in nozzle).
4. Coat the seal with Dow Corning 111 lubricant (included in kit).
5. Install new nozzle on hose.
6. Drive pins back into place.

NOTE: Install new pins from operating lever side, smooth end first.

Fig. 6



Fig. 7

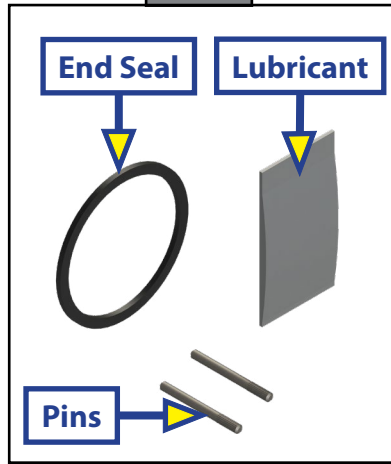
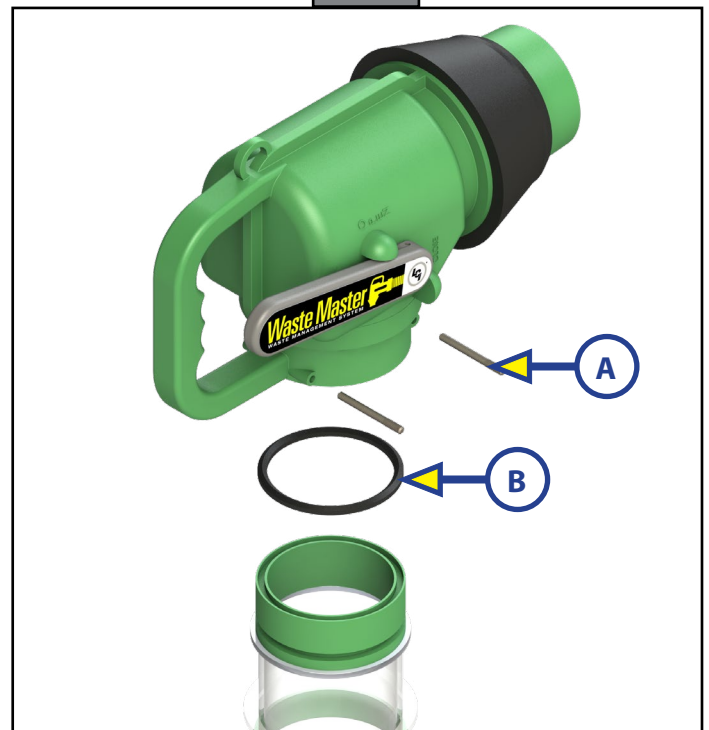


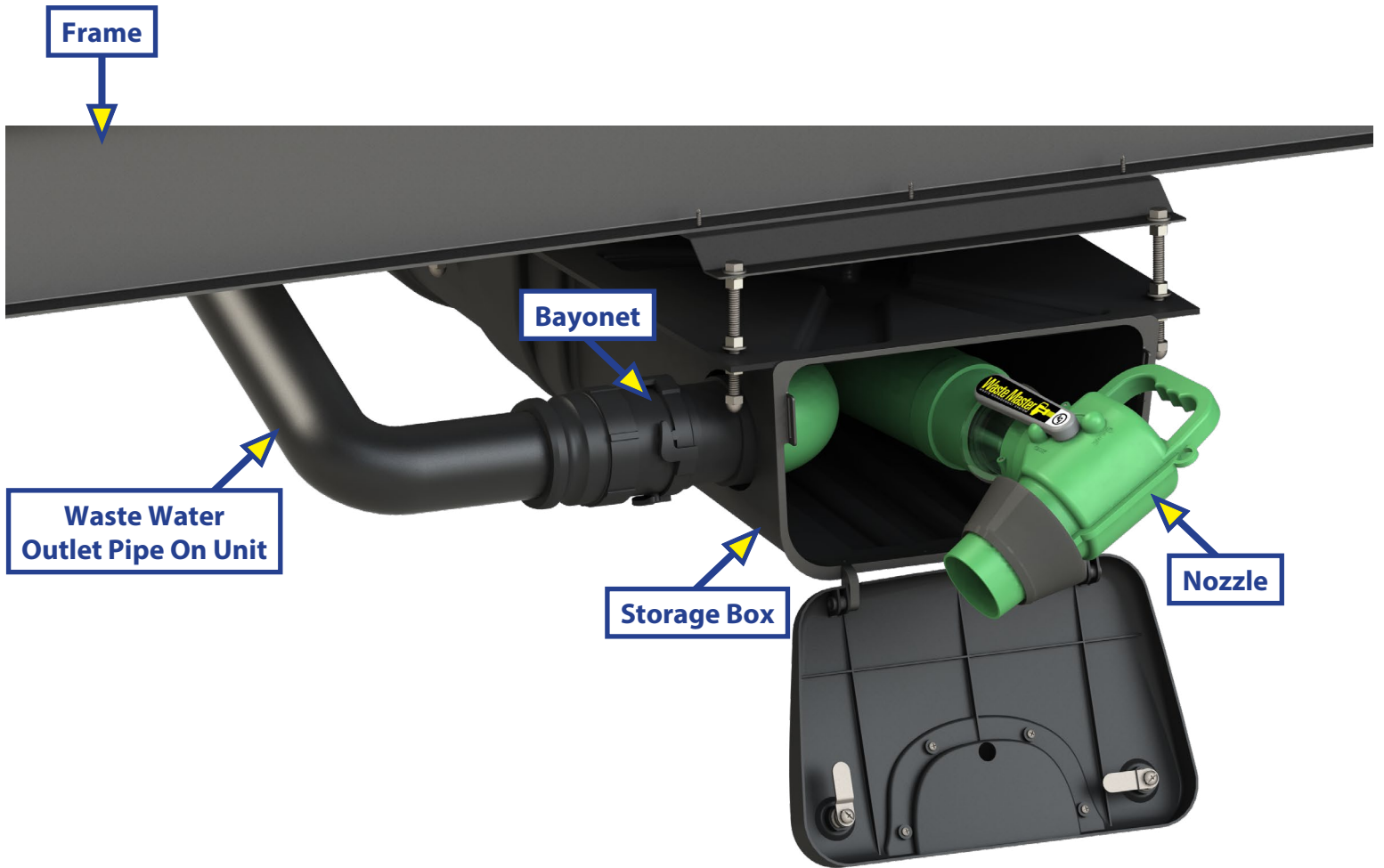
Fig. 8





WASTE MASTER® ASSEMBLY

SEWER AND FRESH WATER





LIPPERT
COMPONENTS

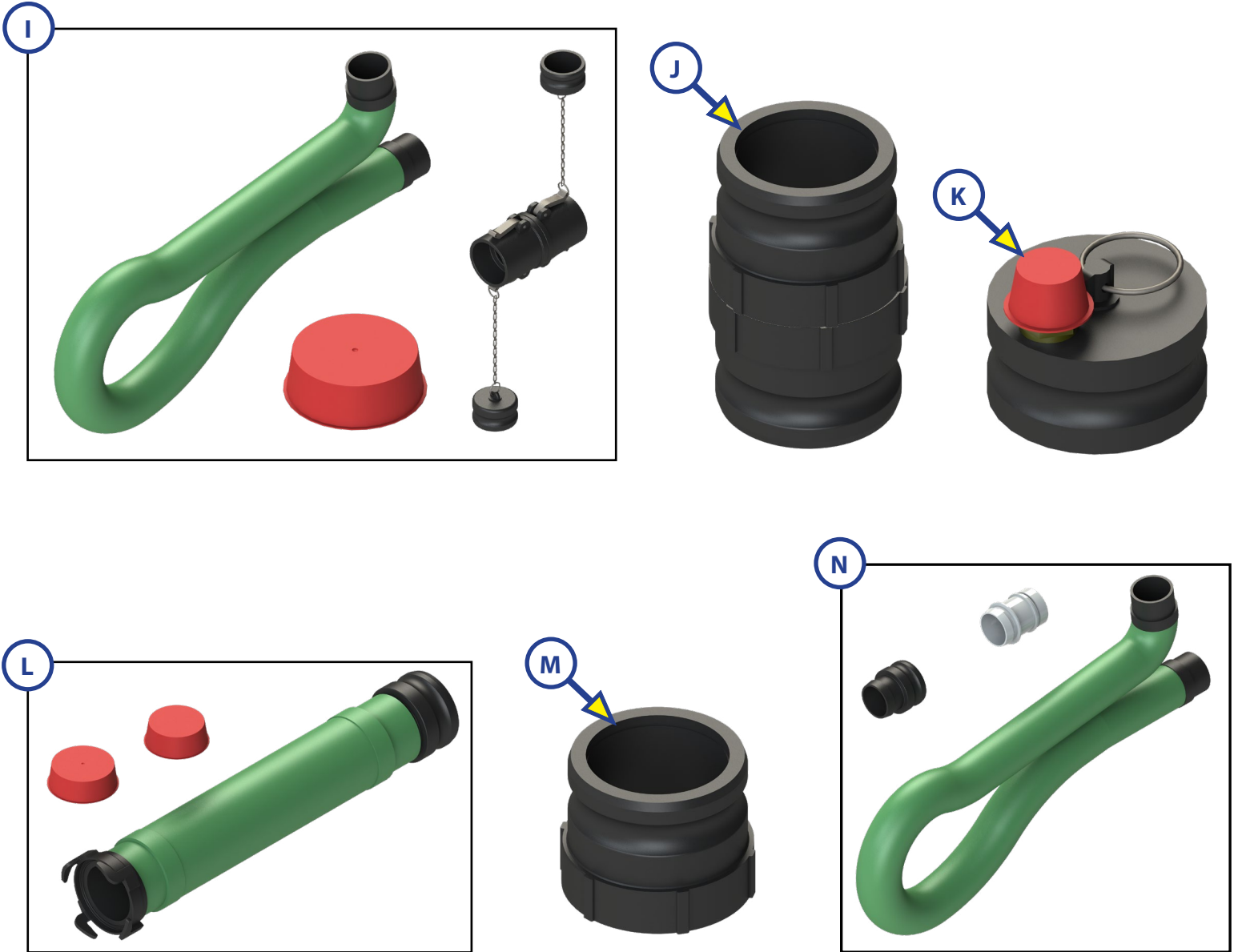
WASTE MASTER® COMPONENTS

SEWER AND FRESH WATER

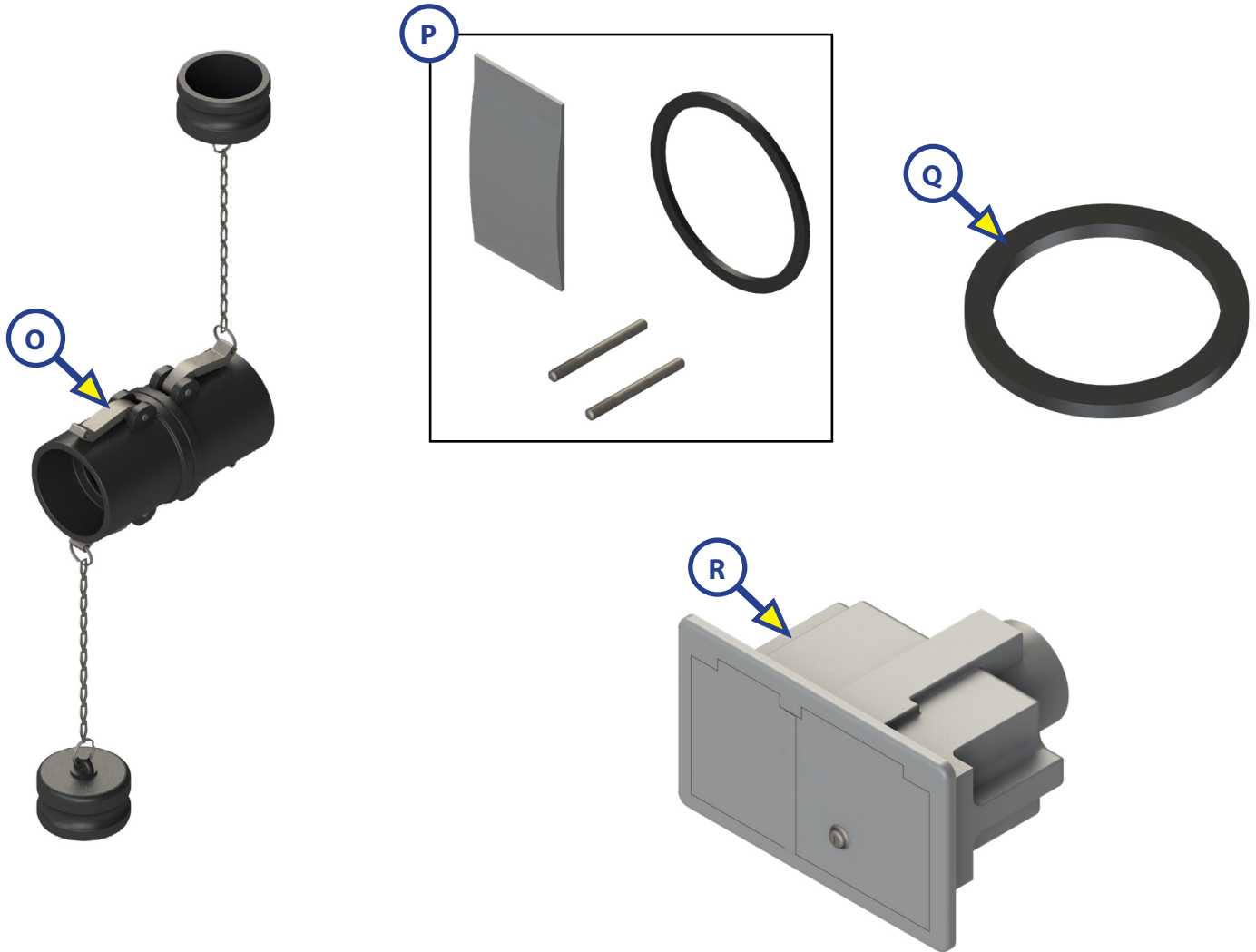
NOTE: Part numbers are shown for identification purposes only. Not all parts are available for individual sale. All parts with a link to the Lippert Store can be purchased.



Callout	Part #	Description
A	349521	Sewer Nozzle
B	340919	Donut Seal
C	676359	Red Plastic Caplug
D	340916	3" Expandable Flex Hose
E	360578	Cam Lock Connector
F	340925	3" Male Cam Lock
G	675494	Black Plastic Female Bayonet
H	361683	Label



Callout	Part #	Description
I	360784	20' Extension Kit
J	360785	Male Bayonet Fitting Converter
K	360788	Male Cam Garden Hose Adaptor
L	360789	Cam Lock Male to Female Bayonet Fitting
M	362886	Threaded Cam Lock Fitting
N	376294	20' Replacement Hose with Clear View Fitting



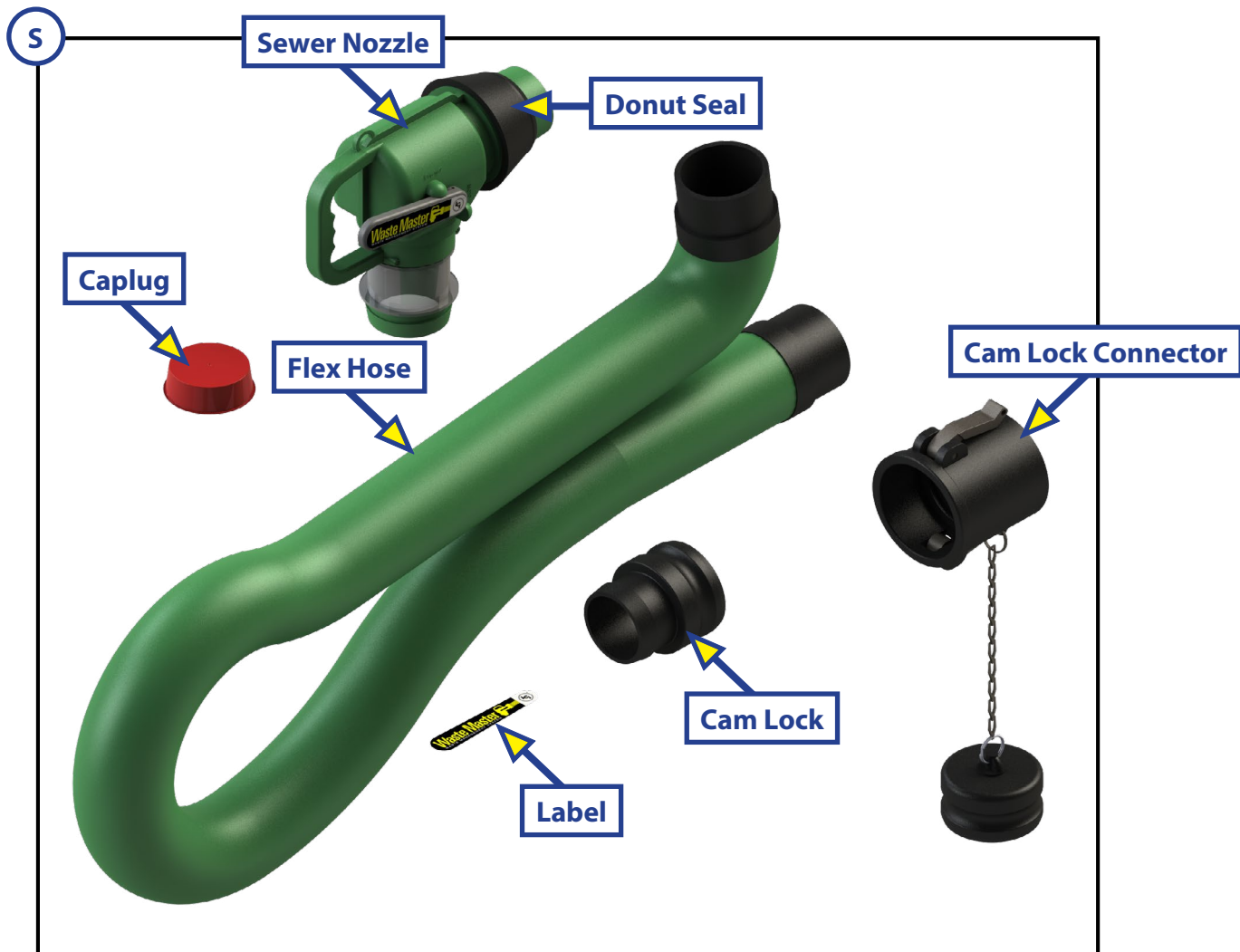
Callout	Part #	Description
O	363201	Double Female Cam Lock
P	360807	Seal Replacement Kit
Q	360808	Replacement Seal for Female Fitting
R	362881	Nozzle Enclosure



LIPPERT
COMPONENTS

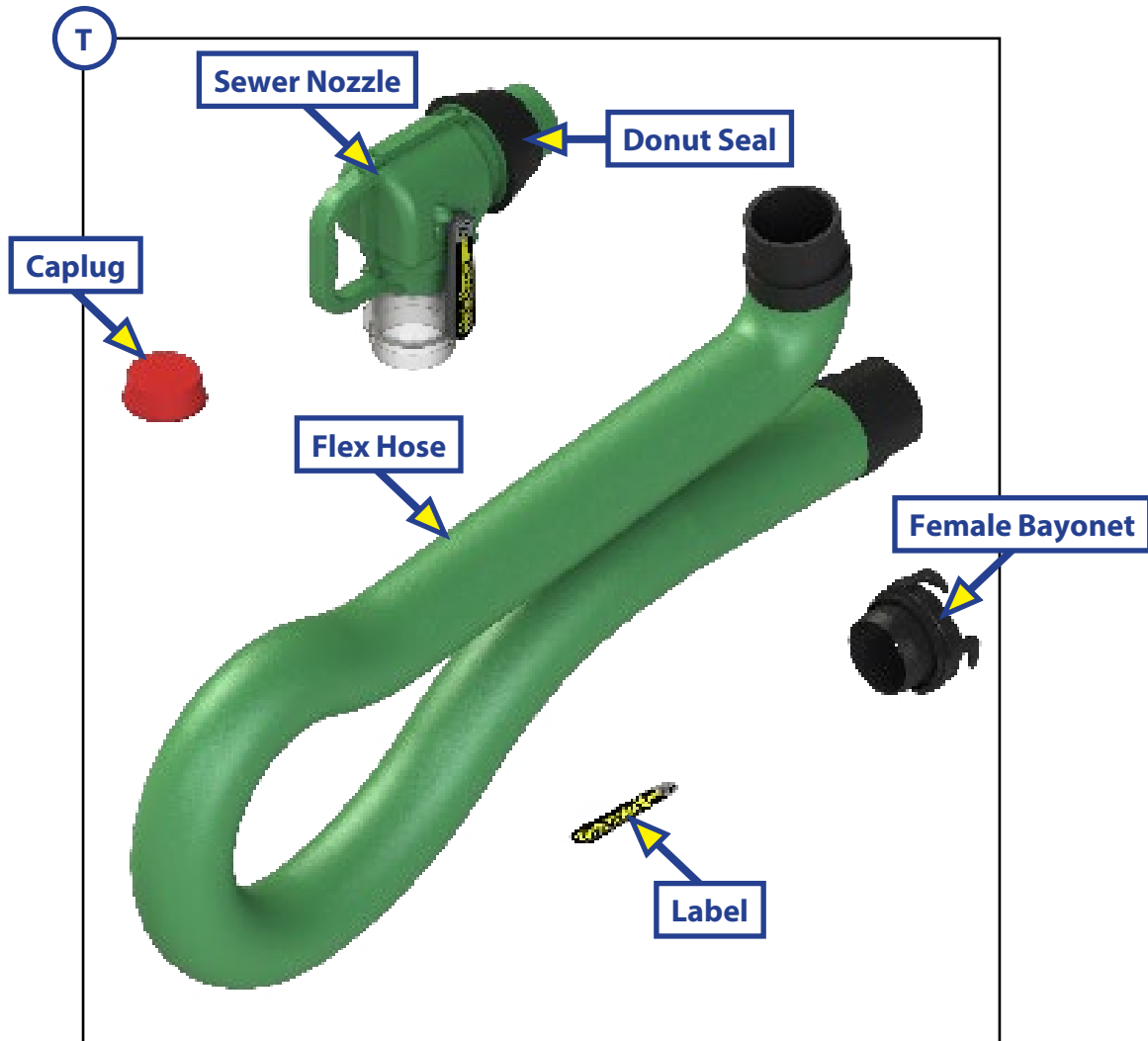
WASTE MASTER® COMPONENTS

SEWER AND FRESH WATER



Callout	Part #	Description
S	359724	Cam Fitting Kit
	349521	Sewer Nozzle
	676359	Red Plastic Caplug
	340919	Donut Seal
	340916	3" Expandable Flex Hose
	360578	Cam Lock Connector
	340925	3" Male Cam Lock
	361683	Label

SEWER AND FRESH WATER



Callout	Part #	Description
T	675495	Bayonet Fitting Kit
	349521	Sewer Nozzle
	676359	Red Plastic Caplug
	340919	Donut Seal
	340916	3" Expandable Flex Hose
	675494	Black Plastic Female Bayonet
	361683	Label



L I P P E R T C O M P O N E N T S[®]

The contents of this manual are proprietary and copyright protected by Lippert Components, Inc. ("LCI"). LCI prohibits the copying or dissemination of portions of this manual unless prior written consent from an authorized LCI representative has been provided. Any unauthorized use shall void any applicable warranty. The information contained in this manual is subject to change without notice and at the sole discretion of LCI.

Revised editions are available for free download from lci1.com.

Please recycle all obsolete materials.

For all concerns or questions, please contact
Lippert Components, Inc.

Ph: (574) 537-8900 | Web: lci1.com | Email: customerservice@lci1.com