



**LIPPERT**  
COMPONENTS®



# Flex Guard

## Installation and Owner's Manual

(For Aftermarket Applications)

### Table of Contents

<b>Introduction</b> .....	2
Features .....	2
Weight Ratings .....	2
<b>Safety</b> .....	2
<b>Resources Required</b> .....	3
<b>Parts List</b> .....	3
Single Flex Guard Kit .....	3
Double Flex Guard Kit .....	4
Triple Flex Guard Kit .....	4
<b>Installation</b> .....	5
<b>Notes</b> .....	8

### Flex Guard Aftermarket Kit Part Numbers

Part #	Description
<a href="#">1346271</a>	Single Flex Guard Kit
<a href="#">1346281</a>	Double Flex Guard Kit
<a href="#">1346291</a>	Triple Flex Guard Kit



**LIPPERT**  
COMPONENTS®

## Introduction

The Flex Guard straightens during extension and bends in an arc as it contracts. This unique design prevents sagging during slide-out operation as well as unnatural bends that can lead to breakage.

Additional information about this product can be obtained from [lci1.com/support](http://lci1.com/support) or by using the myLCI app. Replacement kits can be ordered from <https://store.lci1.com/> or by using the myLCI app.

The myLCI app is available for free on iTunes® for iPhone® and iPad® and also on Google Play™ for Android™ users.

iTunes®, iPhone®, and iPad® are registered trademarks of Apple Inc.

Google Play™ and Android™ are trademarks of Google Inc.

### Features

- Can be installed on any slide-out system that uses a ¼" steel rod or swing arm for the same application.
- Single, double and triple applications.

**NOTE:** All kits come with 8" mounting post with star washer and five Flex Guard clips.

### Weight Ratings

**NOTE:** The length of the Flex Guard, short or long application, is determined by which mounting holes are used. If needed, cut the Flex Guard to create a short Flex Guard.

- |                          |                         |
|--------------------------|-------------------------|
| Short Flex Guard rating: | Long Flex Guard rating: |
| • Single - 2 pounds      | • Single - 1 pound      |
| • Double - 6 pounds      | • Double - 3 pounds     |
| • Triple - 12 pounds     | • Triple - 6 pounds     |

## Safety

Read and understand all instructions before installing or operating this product. Adhere to all safety labels.

This manual provides general instructions. Many variables can change the circumstances of the instructions, i.e., the degree of difficulty, operation and ability of the individual performing the instructions. This manual cannot begin to plot out instructions for every possibility, but provides the general instructions, as necessary, for effectively interfacing with the device, product or system. Failure to correctly follow the provided instructions may result in death, serious personal injury, severe product and/or property damage, including voiding of the LCI limited warranty.

### WARNING

THE "WARNING" SYMBOL ABOVE IS A SIGN THAT A SAFETY RISK IS INVOLVED AND MAY CAUSE DEATH, SERIOUS PERSONAL INJURY AND/OR SEVERE PRODUCT OR PROPERTY DAMAGE IF NOT SAFELY ADHERED TO AND WITHIN THE PARAMETERS SET FORTH IN THIS MANUAL.

### WARNING

FAILURE TO FOLLOW INSTRUCTIONS PROVIDED IN THIS MANUAL MAY RESULT IN DEATH, SERIOUS PERSONAL INJURY, SEVERE PRODUCT AND/OR PROPERTY DAMAGE OR VOIDING OF THE COMPONENT WARRANTY.

### WARNING

THE UNIT MUST BE SUPPORTED PER MANUFACTURER'S RECOMMENDATIONS BEFORE WORKING UNDERNEATH. FAILURE TO DO SO MAY RESULT IN DEATH, SERIOUS PERSONAL INJURY, SEVERE PRODUCT AND/OR PROPERTY DAMAGE.



**⚠ CAUTION**

THE “CAUTION” SYMBOL ABOVE IS A SIGN THAT A SAFETY RISK IS INVOLVED AND MAY CAUSE PERSONAL INJURY AND/OR PRODUCT OR PROPERTY DAMAGE IF NOT SAFELY ADHERED TO AND WITHIN THE PARAMETERS SET FORTH IN THIS MANUAL.

**⚠ CAUTION**

ALWAYS WEAR EYE PROTECTION WHEN PERFORMING SERVICE OR MAINTENANCE TO THE UNIT. OTHER SAFETY EQUIPMENT TO CONSIDER WOULD BE HEARING PROTECTION, GLOVES AND POSSIBLY A FULL FACE SHIELD, DEPENDING ON THE NATURE OF THE TASK.

**⚠ CAUTION**

MOVING PARTS CAN PINCH, CRUSH OR CUT. KEEP CLEAR AND USE CAUTION.

## Resources Required

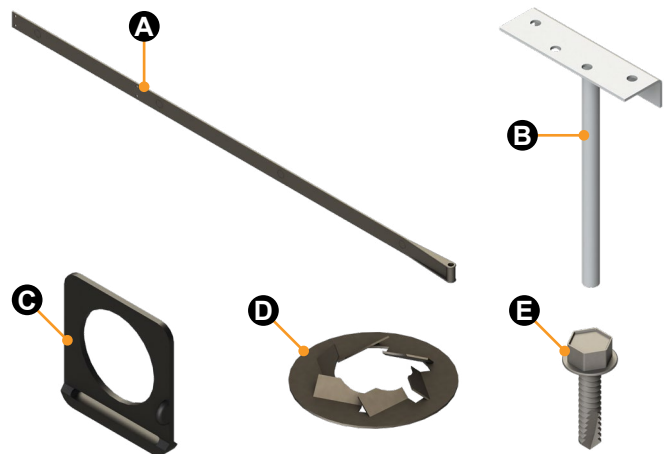
- Cordless or electric drill or screw gun
- Appropriate drive bits
- #10 x 1” wood screws (Wood screws may be required depending on floor structure.)

## Parts List

**NOTE:** Part numbers are shown for identification purposes only. Not all parts are available for individual sale. All parts with a link to the Lippert Store can be purchased.

**NOTE:** Flex Guard and Flex Guard clips are available in single, double and triple belt heights.

### Single Flex Guard Kit



Single Flex Guard Kit - 1346271			
Letter	PN	Description	Qty
A	114828	Single Flex Guard, 50 1/2"	1
B	115204	Aluminum Post Assembly, 8"	1
C	100801	Single Flex Guard Clip	5
D	100899	Star Washer	1
E	118102	Screw, 1/4" - 14 x 1", Self-drilling Hex Head Washer	6



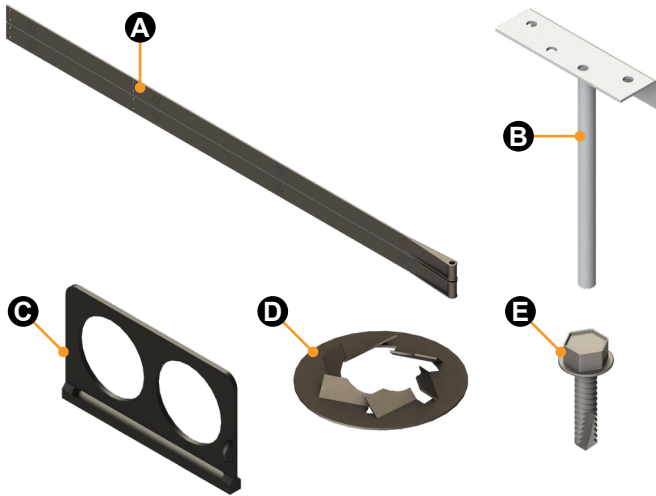
**LIPPERT**  
COMPONENTS®

# Flex Guard

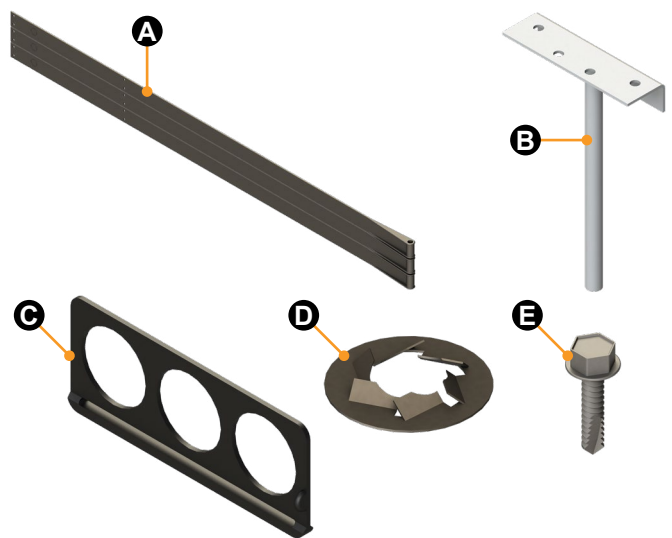
## Installation and Owner's Manual

(For Aftermarket Applications)

### Double Flex Guard Kit



### Triple Flex Guard Kit



#### Double Flex Guard Kit - 1346281

Letter	PN	Description	Qty
A	114827	Double Flex Guard, 50 1/2"	1
B	115204	Aluminum Post Assembly, 8"	1
C	100799	Double Flex Guard Clip	5
D	100899	Star Washer	1
E	118102	Screw, 1/4" - 14 x 1", Self-drilling Hex Head Washer	8

#### Triple Flex Guard Kit - 1346291

Letter	PN	Description	Qty
A	100780	Triple Flex Guard, 50 1/2"	1
B	115204	Aluminum Post Assembly, 8"	1
C	100778	Triple Flex Guard Clip	5
D	100899	Star Washer	1
E	118102	Screw, 1/4" - 14 x 1", Self-drilling Hex Head Washer	10



# Flex Guard

## Installation and Owner's Manual

(For Aftermarket Applications)

### Installation

1. Position Flex Guard under the slide-out room where the wiring or hoses to be protected are located.
2. Insert the aluminum pin (Fig.1A) into the Flex Guard (Fig.1B) with the mounting bracket (Fig.1C) facing up. Slide the star washer (Fig.1D) over the end of the pin at the bottom of the Flex Guard and push in place.
3. Slide the Flex Guard clips (Fig.1E) onto the end of the Flex Guard with the holes in the clips facing the direction of the hoses and wiring to hold them in place. Space all clips evenly throughout the length of the Flex Guard.

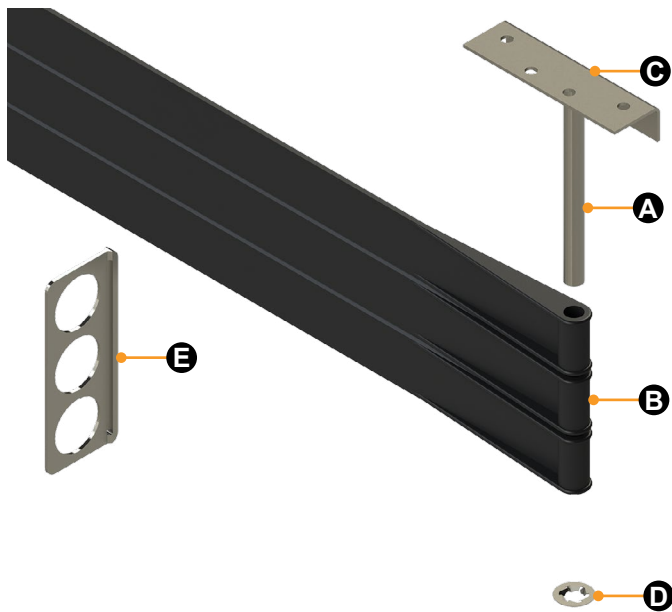


Fig.1

**NOTE:** There are several ways that the Flex Guard can be mounted to the unit. Evaluate the layout and construction of the unit prior to installation of the Flex Guard. This document will detail placing the aluminum post assembly out by the room bar that moves with the room and the opposite end at a fixed point on the chassis.

4. Install Flex Guard aluminum post mounting assembly (Fig.2A) to the bottom of the unit floor next to the room bar, using four provided #10 x 1" self-drilling screws (Fig.2B) or #10 x 1" wood screws if applicable.

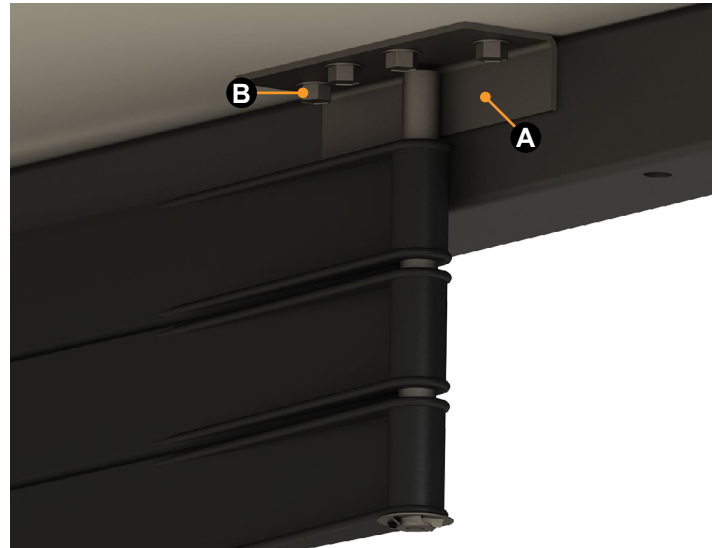


Fig.2

5. Install two provided #10 x 1" self-tapping screws (Fig.3A) per belt section through the Flex Guard flat end (Fig.3B) and into the web of the I-beam (Fig.3C or Fig.4A) or the outrigger (Fig.5A) on the chassis.

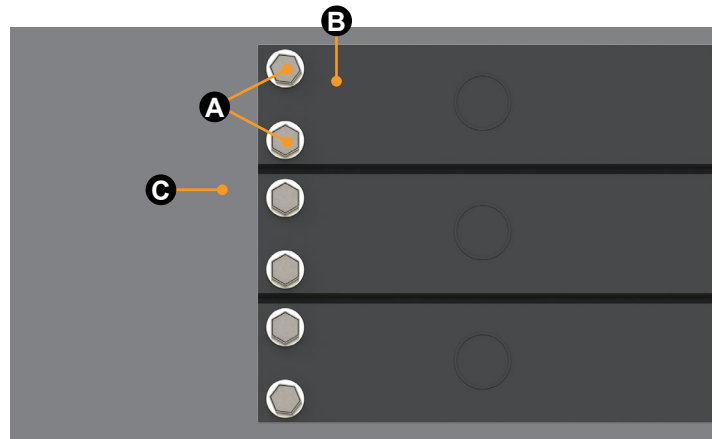


Fig.3



# Flex Guard

## Installation and Owner's Manual

(For Aftermarket Applications)

6. Slide any hoses and wiring through the holes in the Flex Guard clips when installing in order to protect hoses and wiring with the Flex Guard.

**NOTE:** Flex Guard should be kept parallel to the slide room floor.

7. Make sure the flat end of the Flex Guard is mounted several inches away from the direction of the bend of the retracted Flex Guard (Fig.4A and Fig.5A).

### slide-out retracted (I-beam web installation option)

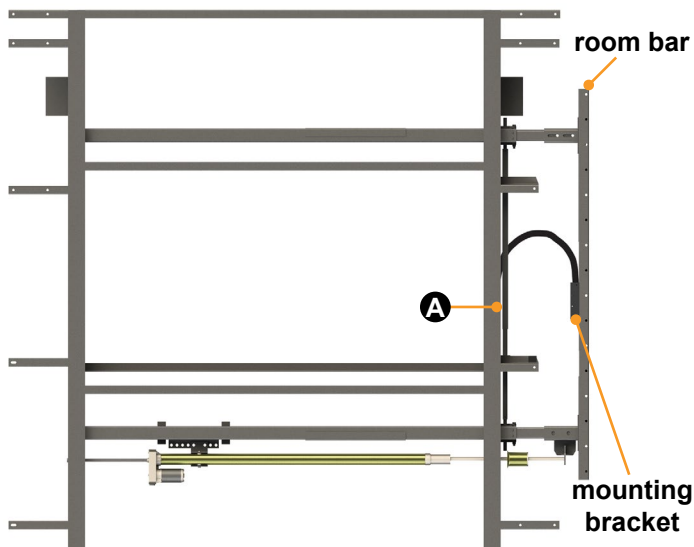


Fig.4

### slide-out retracted (outrigger installation option)

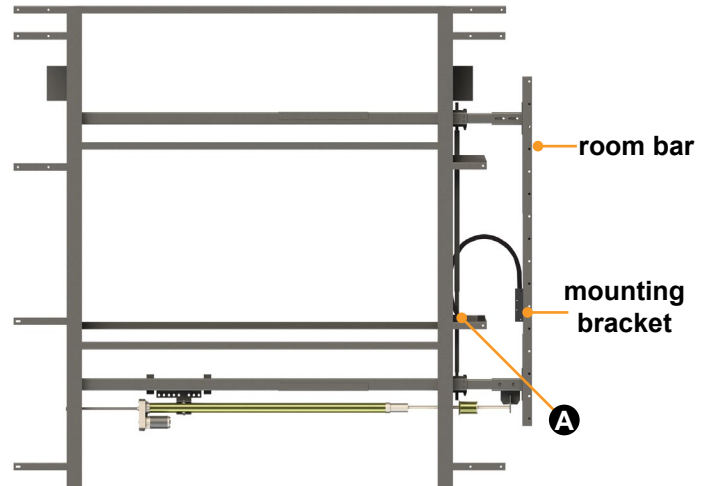


Fig.5



LIPPERT  
COMPONENTS®

# Flex Guard

## Installation and Owner's Manual

(For Aftermarket Applications)

8. Figure 6 depicts the Flex Guard extended with the flat end installed onto the web of the I-beam.

**slide-out extended**

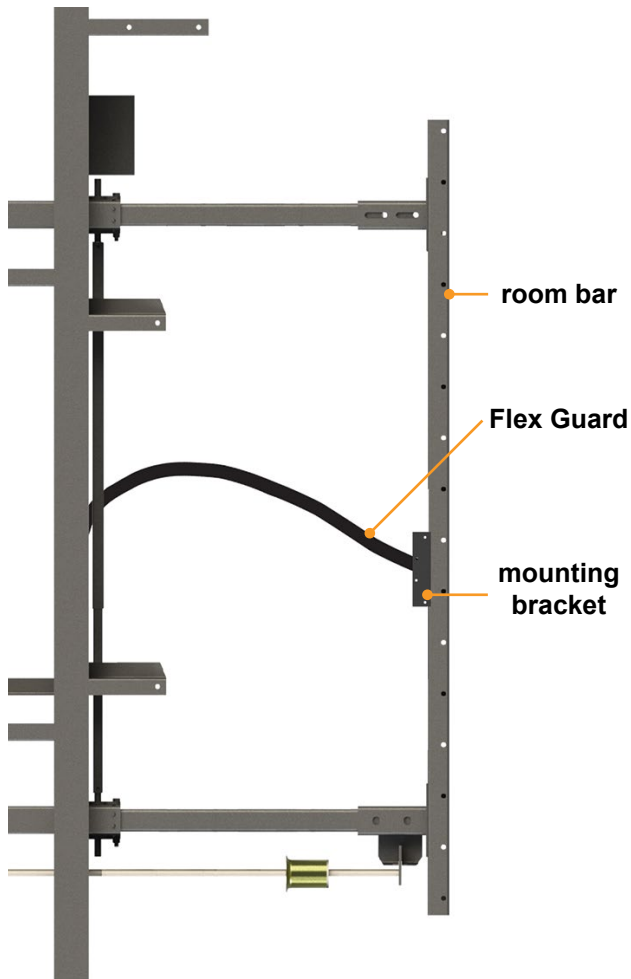


Fig.6

**NOTE:** Over extended Flex Guard may create a crease at the flat mounting end attachment point (Fig.7A).

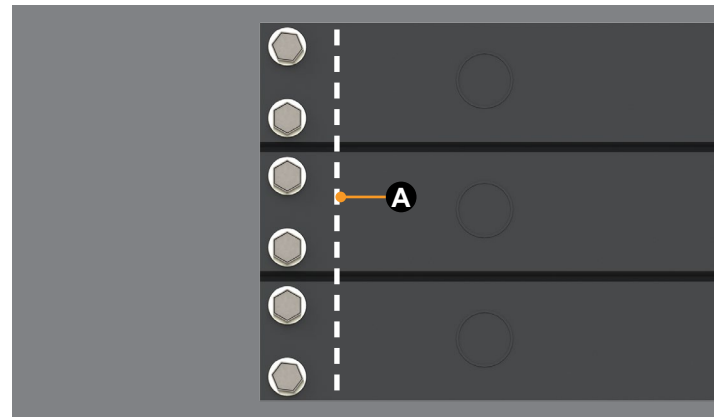


Fig.7

