

Kwikkee[®]
PRODUCTS

by  Lippert Components[®]

**KWIKEE STEP DOOR SWITCH
INSTALLATION MANUAL**

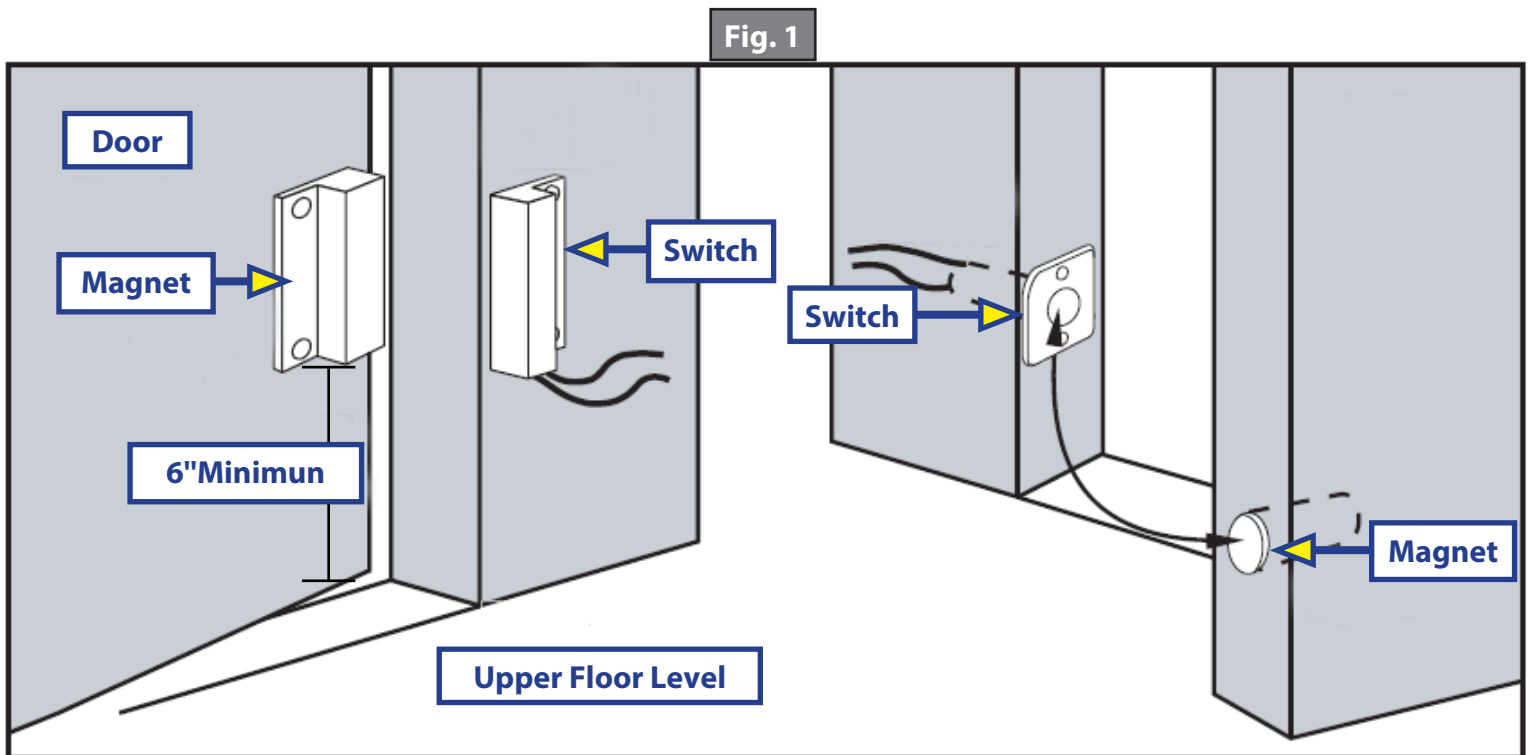
Door Switch Installation

Lippert Components, Inc. (LCI) recommends the switch be installed on the latch side of the door. However, hinge-side installation is acceptable. Some experimentation with the switch position may be necessary to achieve proper step operation. See Figure 1.

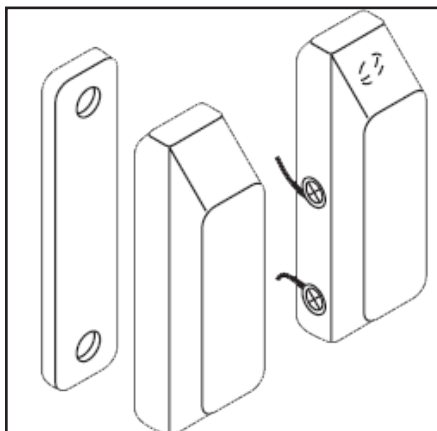
1. The Kwikkee Step assembly should begin to extend when the door is opened between one and four inches.
 - A. Position the switch in the door jamb.
 - B. Locate the magnet opposite the switch.
 - C. Check for ample clearance in the door frame for the body of the door switch.

NOTE: Under no circumstances should the door switch be forced into its mounting position.

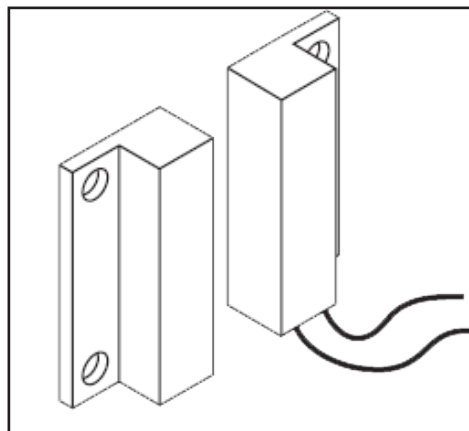
2. Wiring to the switch should come up through the hollow door frame.
3. After wiring is complete, mount the switch to the door jamb.
4. Install the magnet in the door, opposite the switch.
5. Vertical placement of the magnet is critical to proper door switch operation. See Figure 1.



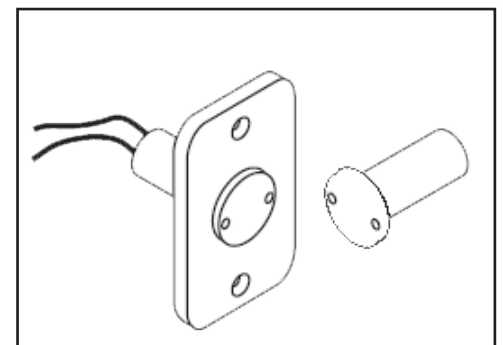
Black Magnetic Switch Configurations



**Black Large Magnetic
Reed Switch**



**Black Small Magnetic
Reed Switch**



**Black Round
Magnetic Switch**

Replacement Parts Guide

White (Normally Closed)

Used for all color controls manufactured prior to 2/99. Does **NOT** include "black" controls #909506000, #909507000.

**Magnetic
Small
Rectangular**



905312000

**Magnetic
3/4" Core
Round**



905314000

**Magnetic
Large
Rectangular**



905306000

**Magnetic
3/8" Core
Round**



905307000

**Plated
Plunger
Switch**



905302000

Black (Normally Open)

Used for "black" controls since 2/99, including controls #909506000, #909507000 and #909508000.

**Magnetic
Small
Rectangular**



905323000

**Magnetic
3/4" Core
Round**



905324000

**Magnetic
Large
Rectangular**



905326000

**Magnetic
3/8" Core
Round**



905327000

**Plated
Plunger
Switch**



905328000



L I P P E R T C O M P O N E N T S[®]

The contents of this manual are proprietary and copyright protected by Lippert Components, Inc. ("LCI"). LCI prohibits the copying or dissemination of portions of this manual unless prior written consent from an authorized LCI representative has been provided. Any unauthorized use shall void any applicable warranty. The information contained in this manual is subject to change without notice and at the sole discretion of LCI.

Revised editions are available for free download from lci1.com.

Please recycle all obsolete materials.

For all concerns or questions, please contact
Lippert Components, Inc.

Ph: (574) 537-8900 | Web: lci1.com | Email: customerservice@lci1.com