



DOUBLE BIN UNDER  
CHASSIS STORAGE SYSTEM  
OWNER'S MANUAL

# TABLE OF CONTENTS

Introduction .....	2
Safety .....	3
Operation .....	4
Notes .....	5

## Introduction

Double Bin Under Chassis Storage products from Lippert Components® help you save space and fit everything you need into your home away from home. The detachable storage boxes bolt on to the RV chassis (hardware not included) and are perfect for cables, cleaning supplies and other miscellaneous camping items.

Additional information about this product can be obtained from [lci1.com/support](https://support.lci1.com/support) or by downloading the free LippertNOW app. The app is available on Apple App Store® for iPhone® and iPad® and also on Google Play™ for Android™ users.

Apple App Store®, iPhone®, and iPad® are registered trademarks of Apple Inc.  
Google Play™ and Android™ are trademarks of Google Inc.

For information on the assembly or individual components of this product, please visit:

<https://support.lci1.com/racks>

**Note:** Images used in this document are for reference only when assembling, installing and/or operating this product. Actual appearance of provided and/or purchased parts and assemblies may differ.

## Safety

Read and understand all instructions before installing or operating this product. Adhere to all safety labels. This manual provides general instructions. Many variables can change the circumstances of the instructions, i.e., the degree of difficulty, operation and ability of the individual performing the instructions. This manual cannot begin to plot out instructions for every possibility, but provides the general instructions, as necessary, for effectively interfacing with the device, product or system. Failure to correctly follow the provided instructions may result in death, serious personal injury, severe product and/or property damage, including voiding of the Lippert limited warranty.

### **WARNING**

**The "WARNING" symbol above is a sign that a procedure has a safety risk involved and may cause death or serious personal injury if not performed safely and within the parameters set forth in this manual.**

### **WARNING**

**Failure to follow instructions provided in this manual may result in death, serious personal injury and/or severe product and property damage, including voiding of the component warranty.**

### **CAUTION**

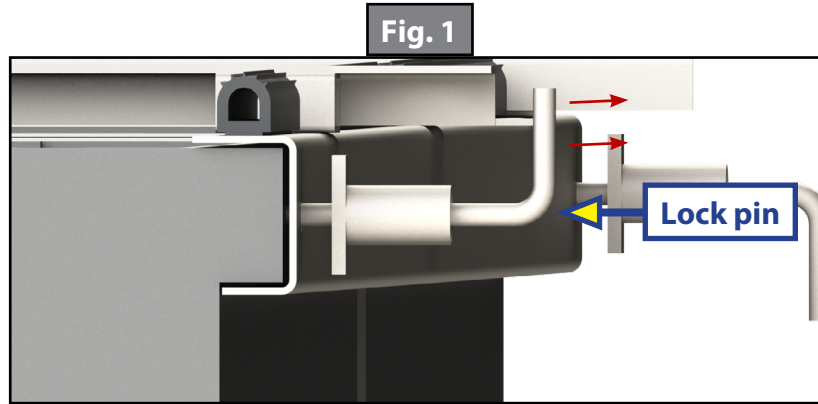
**The "CAUTION" symbol above is a sign that a safety risk is involved and may cause personal injury and/or product or property damage if not safely adhered to and within the parameters set forth in this manual.**

### **CAUTION**

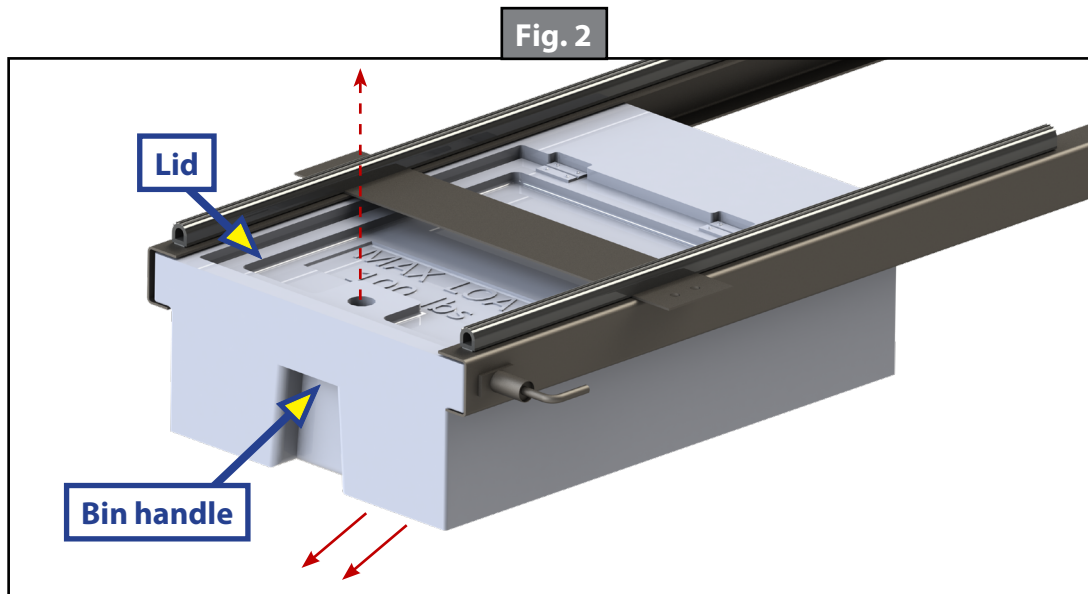
**Always wear eye protection when performing service, maintenance or installation procedures. Other safety equipment to consider would be hearing protection, gloves and possibly a full face shield, depending on the nature of the task.**

## Operation

1. Disengage the lock pin (Fig. 1A) by pulling it out, and begin extending the storage bin by pulling on the bin handle. Release the lock pin.



2. Continue to extend the storage bin until the locking pin re-engages. The bin is now completely extended.
3. Lift the lid (Fig. 2) and place items in bin.



4. Close the lid on the storage bin. Disengage the lock pin by pulling it out, and begin retracting the storage bin by pushing on the bin handle.
5. Release the lock pin and continue pushing in on the bin until the lock pin re-engages. The bin is now closed and locked in place for travel.





The contents of this manual are proprietary and copyright protected by Lippert. Lippert prohibits the copying or dissemination of portions of this manual unless prior written consent from an authorized Lippert representative has been provided. Any unauthorized use shall void any applicable warranty. The information contained in this manual is subject to change without notice and at the sole discretion of Lippert. Revised editions are available for free download from [lippert.com](http://lippert.com).

Please recycle all obsolete materials.

For all concerns or questions, please contact Lippert  
Ph: 432-LIPPERT (432-547-7378) | Web: [lippert.com](http://lippert.com) | Email: [customerservice@lci1.com](mailto:customerservice@lci1.com)