



LIPPERT  
COMPONENTS®

**Flexair**  
by Trailair



# Flex Air® Pin Box

## Installation and Owner's Manual

(For Aftermarket Applications)

### Table of Contents

Introduction .....	1
Safety .....	2
Tools Required .....	2
Parts List .....	2
Installation .....	3
Maintenance .....	4

Kit Part Numbers	
Part #	Description
<a href="#">328484</a>	M15 Flex Air Pin Box 18K
<a href="#">328492</a>	L05 Flex Air Pin Box 18K
<a href="#">369535</a>	L05 Flex Air Pin Box 21K



# Flex Air® Pin Box

## Installation and Owner's Manual

(For Aftermarket Applications)

## Introduction

The new Flex Air® Pin Box (**Fig.1**) combines Trailair® air ride technology with the Rota-Flex® pivoting head to eliminate chucking and the vertical tug-of-war between the 5th Wheel and tow vehicle.

Additional information about this product can be obtained from [lci1.com/support](http://lci1.com/support) or by using the myLCI app. Replacement kits can be ordered from <https://store.lci1.com/> or by using the myLCI app.

The myLCI app is available for free on iTunes® for iPhone® and iPad® and also on Google Play™ for Android™ users.

iTunes®, iPhone® and iPad® are registered trademarks of Apple Inc.

Google Play™ and Android™ are trademarks of Google Inc.

## Safety

Please read and study the manual before utilizing the system. Adhere to all safety labels.

This manual provides general instructions. Many variables can change the circumstances of the instructions, i.e., the degree of difficulty, operation and ability of the individual performing the instructions. This manual cannot begin to plot out instructions for every possibility, but provides the general instructions, as necessary, for effectively interfacing with the device, product or system. Failure to correctly follow the provided instructions may result in death, serious personal injury, severe product and/or property damage, including voiding of the LCI limited warranty.

### **⚠ WARNING**

**FAILURE TO RETRACT ALL JACKS PRIOR TO TRAVEL MAY RESULT IN SEVERE PRODUCT AND UNIT DAMAGE, INCLUDING SERIOUS PERSONAL INJURY OR DEATH TO PEOPLE AND PETS. MAKE SURE ALL JACKS ARE RETRACTED PRIOR TO TRAVEL.**

### **⚠ CAUTION**

**FLYING DUST, DIRT AND DEBRIS CAN CAUSE SEVERE IRRITATION AND DAMAGE TO SOFT TISSUE. USE APPROPRIATE PERSONAL PROTECTIVE EQUIPMENT (PPE), SUCH AS SAFETY GLASSES, BEFORE PERFORMING BRAKE SERVICE.**

## Parts List

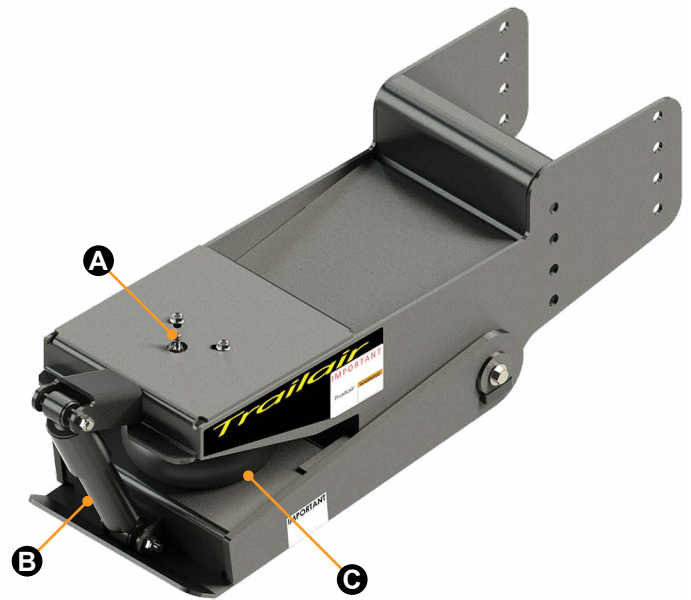


Fig.1

Letter	Part #	Description
A	<a href="#">156740</a>	Tank valve
B	<a href="#">177223</a>	Oil shock
C	<a href="#">432404</a>	Air spring

## Resources Required

- 2-3 people
- Safety glasses
- Tape measure
- Air compressor
- Wrench and socket set
- Box end wrenches
- Level



# Flex Air® Pin Box

## Installation and Owner's Manual

(For Aftermarket Applications)

### Installation

**CAUTION**  
MOVING PARTS CAN PINCH OR CRUSH

**NOTE:** The 5th Wheel should always be towed at a level condition. Adjustment of the pin box mounting height, the tow vehicle height or suspension adjustments may be necessary to accomplish a level towing condition. Installation of the pin box should only be performed by a certified RV technician.

1. Level the trailer front to back.
2. Measure from the ground to the bottom of the kingpin plate on the current pin box. Record this dimension as A (Fig.2).

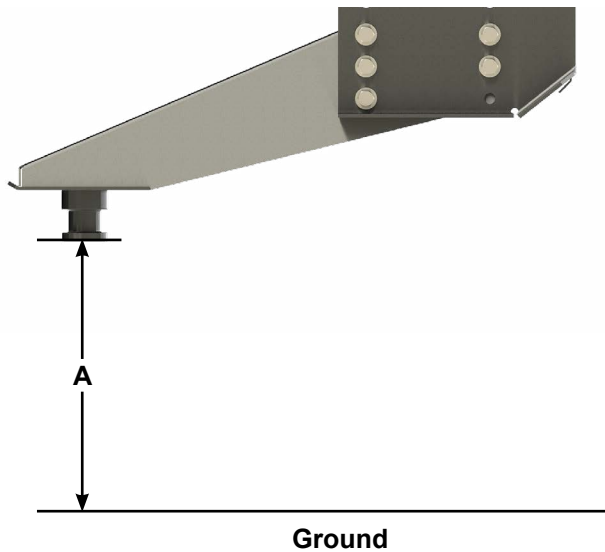


Fig.2

**WARNING**  
PROPERLY SUPPORT PIN BOX BEFORE REMOVING BOLTS. FAILURE TO DO SO MAY RESULT IN SEVERE PRODUCT DAMAGE, DEATH OR SERIOUS INJURY.

3. Properly support the pin box assembly.

**NOTE:** The pin box assembly weighs several hundred pounds, so a minimum of two people are required to complete the removal and installation. A forklift may be used to lift the pin box into position.

4. Remove fasteners that hold the original pin box in place.
5. Hoist the new pin box into place.
6. Add 11 3/4" to dimension A. When installing the new pin box, measure from the ground up to the flat plate of the upper jaw of the pin box. Once the new pin box is aligned, that measurement should be equal to the measurement taken in step 2, plus 11 3/4" (Dimension B, Fig.3).
7. Reinstall the bolts that held the pin box in place previously. LCI recommends using the nuts, bolts and washers that were removed previously unless they are damaged or unusable.

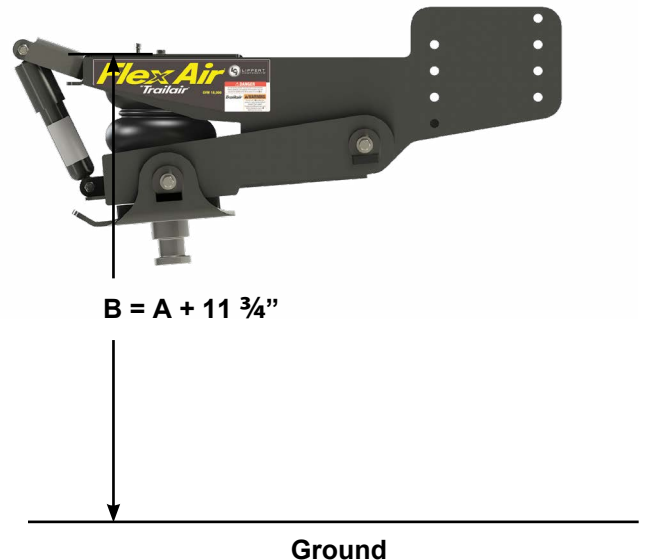


Fig.3

8. If new fasteners are required, make sure the replacement fasteners correspond in grade and diameter to those removed. Torque pin box bolts and nuts accordingly:

- A. Torque 1/2" bolts to 110 ft-lbs minimum.
- B. Torque 5/8" bolts to 160 ft-lbs minimum.
- C. Torque 3/4" bolts to 210 ft-lbs minimum.



**LIPPERT**  
COMPONENTS®

# Flex Air® Pin Box

## Installation and Owner's Manual

(For Aftermarket Applications)

### Maintenance

Periodically check the recessed area on the top of the pin box (**Fig.4B**) for standing water. Drain water and remove debris as needed. The area should be clean and clear of all contaminants.

**9.** Make sure the 5th Wheel coupler located in the truck is mounted according to the proper instructions of the 5th Wheel manufacturer. In addition, make sure that it is in good working condition, as this could affect the performance of the pin box and could result in unsafe towing. As a reminder, the 5th Wheel connection should never be located behind the center of the drive axle.

**10.** After all nuts and bolts are tightened, attach trailer to tow vehicle. Before applying the air nozzle fitting at the top of the pin box, make sure the alignment pin is in the hole on the bottom of the air spring.

**11.** With the tow vehicle at rest, inflate the air bag with enough air to raise the pin box to the ride height mark on the front of the shock absorber (**Fig.4A**). The starting pressure should be around 80-90 psi, with the pressure increased according to the ride height mark. However, the pressure is not to exceed 120 psi. Filling should be stopped when reaching either the ride height mark or 120 psi, whichever comes first. The minimum pressure is 45 psi.

**12.** Check the air pressure level on the air bag before each use and adjust accordingly.

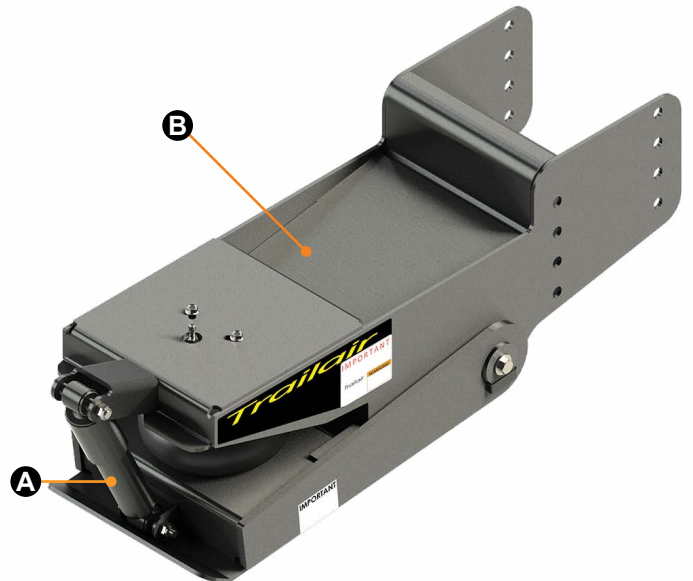


Fig.4



**LIPPERT**  
COMPONENTS®

Manual information may be distributed as a complete document only, unless Lippert Components provides explicit consent to distribute individual parts.

All manual information is subject to change without notice. Revised editions will be available for free download at [lci1.com](http://lci1.com). Manual information is considered factual until made obsolete by a revised version.

Please recycle all obsolete materials and contact Lippert Components with concerns or questions.

**⚠ WARNING**

DO NOT OVER INFLATE THE AIR BAG. IF THE AIR BAG IS OVER INFLATED, IT MAY BURST. THIS COULD CAUSE DEATH OR SERIOUS INJURY.

**⚠ CAUTION**

DO NOT INFLATE AIR BAG UNLESS FULLY SECURED BY THE PIN BOX STRUCTURE; OTHERWISE BODILY INJURY COULD RESULT. FINISH BY INSTALLING THE SUPPLIED AIR CAP. LIKE A TIRE, THE AIR BAG CAN LOSE AIR PRESSURE OVER TIME. BEFORE STARTING ON ANY TRIP, CHECK THE RIDE HEIGHT MARK ON THE FRONT OF THE SHOCK ABSORBER WITH THE TRUCK AND TRAILER AT REST.