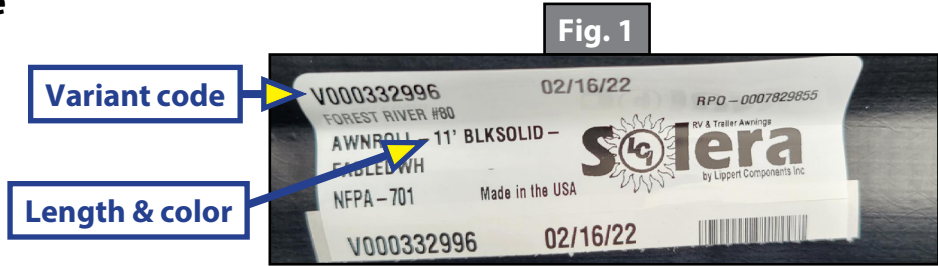


AWNING

Purpose

This document describes how to determine the size of an existing slide topper by use of a variant code or measuring the room size. Only one method is required to order the Slide Topper. Once the measurement is determined, use the attached charts and order from the Aftermarket Variant Code column.

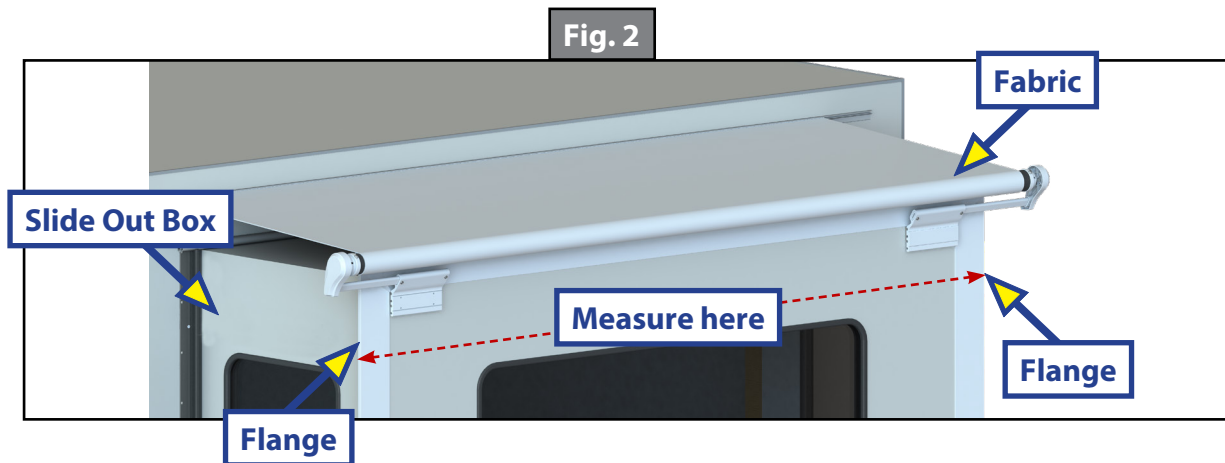
Procedure



NOTE: The variant code label is located near the unit wall, underneath the fabric on the right side of the slide topper while facing the unit.

1. Make sure the slide topper is extended enough to visually see the variant code label (Fig. 1) or to allow the use of a tape measure.
 - A. If the variant code label is visible, read and record the variant code for future use.
 - B. Locate the T-molding flange or trim piece and measure from outside of flange edge to outside of flange edge (Fig. 2). Make note of this measurement.
2. With the variant code or the actual measurement in hand, go to the attached charts and locate the variant code in the columns or locate the "Slide-out Width".
 - A. If the variant code is located on the chart, order from the "Aftermarket Variant Code" column in the same row.
 - B. If a measurement was taken, look in the "Slide-out Width" column for the measurement noted and order the appropriate white or black product using the variant code as noted in the "Aftermarket Variant Code" column.

NOTE: Slide-topper fabric will be longer than the room length so it can extend over the top of the room.



AWNING

White Variant Code Chart for Slide Toppers after approximate date of August 2014

NOTE: Slide-Out width is measured from flange to flange of T-molding (exterior trim) (Fig. 2).

Fabric length is 5 inches shorter than measurement as indicated on the Variant Code Label. Once the Variant Code or Slide-Out measurement has been determined, order slide topper using the appropriate Aftermarket Variant Code Column.

Slide-Out Width (Flange to Flange)	Fabric Length	OEM Variant Code (White)	Aftermarket Variant Code (White) (Order From This Column)
56" to 61 3/4"	61" (5' 1")	V000430063 5' 6" (66")	V000163273 5' 6" (66")
62" to 67 3/4"	67" (5' 7")	V000430066 6' (72")	V000163274 6' (72")
68" to 73 3/4"	73" (6' 1")	V000430068 6' 6" (78")	V000163279 6' 6" (78")
74" to 79 3/4"	79" (6' 7")	V000430071 7' (84")	V000163285 7' (84")
80" to 85 3/4"	85" (7' 1")	V000430074 7' 6" (90")	V000163287 7' 6" (90")
86" to 91 3/4"	91" (7' 7")	V000430077 8' (96")	V000163288 8' (96")
92" to 97 3/4"	97" (8' 1")	V000430080 8' 6" (102")	V000163289 8' 6" (102")
98" to 103 3/4"	103" (8' 7")	V000430083 9' (108")	V000163290 9' (108")
104" to 109 3/4"	109" (9' 1")	V000430146 9' 6" (114")	V000163291 9' 6" (114")
110" to 115 3/4"	115" (9' 7")	V000430086 10' (120")	V000163292 10' (120")
116" to 121 3/4"	121" (10' 1")	V000430090 10' 6" (126")	V000163293 10' 6" (126")
122" to 127 3/4"	127" (10' 7")	V000430093 11' (132")	V000163294 11' (132")
128" to 133 3/4"	133" (11' 1")	V000430096 11' 6" (138")	V000163295 11' 6" (138")
128" to 133 3/4"	135" (11' 3")	V000430099 11' 7" (140")	V000168319 11' 7" (140")
134" to 139 3/4"	139" (11' 7")	V000430103 12' (144")	V000139496 12' (144")
140" to 145 3/4"	145" (12' 1")	V000430106 12' 6" (150")	V000163298 12' 6" (150")
140" to 145 3/4"	149" (12' 5")	V000430243 12' 9" (154")	V000168320 12' 9" (154")
146" to 151 3/4"	151" (12' 7")	V000430109 13' (156")	V000163299 13' (156")
152" to 157 3/4"	157" (13' 1")	V000430115 13' 6" (162")	V000163300 13' 6" (162")
152" to 157 3/4"	160" (13' 4")	V000430121 13' 9" (165")	V000168321 13' 9" (165")
158" to 163 3/4"	163" (13' 7")	V000430124 14' (168")	V000163301 14' (168")
164" to 169 3/4"	169" (14' 1")	V000430127 14' 6" (174")	V000163302 14' 6" (174")
170" to 175 3/4"	175" (14' 7")	V000430130 15' (180")	V000163303 15' (180")
176" to 181 3/4"	181" (15' 1")	V000430133 15' 6" (186")	V000163304 15' 6" (186")
182" to 187 3/4"	187" (15' 7")	V000430138 16' (192")	V000163307 16' (192")
182" to 187 3/4"	193" (16' 11")	V000430141 16' 6" (198")	V000163308 16' 6" (198")

AWNING

Black Variant Code Chart for Slide Toppers after approximate date of August 2014

NOTE: Slide-Out width is measured from flange to flange of T-molding (exterior trim)

Fabric length is 5 inches shorter than measurement as indicated on the Variant Code Label. Once the Variant Code or Slide-Out measurement has been determined, order slide topper using the appropriate Aftermarket Variant Code Column.

Slide-Out Width (Flange to Flange)	Fabric Length	OEM Variant Code (Black)		Aftermarket Variant Code (Black)(Order From This Column)	
56" to 61 3/4"	61" (5' 1")	V000430156	5' 6" (66")	V000168104	5' 6" (66")
62" to 67 3/4"	67" (5' 7")	V000430159	6' (72")	V000231482	6' (72")
68" to 73 3/4"	73" (6' 1")	V000430162	6' 6" (78")	V000165063	6' 6" (78")
74" to 79 3/4"	79" (6' 7")	V000430165	7' (84")	V000168105	7' (84")
80" to 85 3/4"	85" (7' 1")	V000430168	7' 6" (90")	V000165062	7' 6" (90")
86" to 91 3/4"	91" (7' 7")	V000430171	8' (96")	V000168106	8' (96")
92" to 97 3/4"	97" (8' 1")	V000430174	8' 6" (102")	V000168107	8' 6" (102")
98" to 103 3/4"	103" (8' 7")	V000430177	9' (108")	V000168108	9' (108")
104" to 109 3/4"	109" (9' 1")	V000430180	9' 6" (114")	V000168325	9' 6" (114")
110" to 115 3/4"	115" (9' 7")	V000430183	10' (120")	V000251461	10' (120")
116" to 121 3/4"	121" (10' 1")	V000430186	10' 6" (126")	V000182037	10' 6" (126")
116" to 121 3/4"	123" (10' 3")	V000430189	10' 8" (128")	V000184672	10' 8" (128")
122" to 127 3/4"	127" (10' 7")	V000430192	11' (132")	V000168326	11' (132")
128" to 133 3/4"	133" (11' 1")	V000430195	11' 6" (138")	V000184673	11' 6" (138")
128" to 133 3/4"	135" (11' 3")	V000430198	11' 7" (140")	V000168327	11' 7" (140")
128" to 133 3/4"	136" (11' 3")	V000430246	11' 8" (141")	V000177333	11' 8" (141")
134" to 139 3/4"	139" (11' 7")	V000430201	12' (144")	V000168328	12' (144")
140" to 145 3/4"	145" (12' 1")	V000430204	12' 6" (150")	V000177334	12' 6" (150")
140" to 145 3/4"	146" (12' 2")	V000430207	12' 7" (151")	V000181971	12' 7" (151")
140" to 145 3/4"	149" (12' 5")	V000430210	12' 10" (154")	V000168329	12' 10" (154")
146" to 151 3/4"	151" (12' 7")	V000430214	13' (156")	V000165061	13' (156")
146" to 151 3/4"	154" (12' 10")	V000430217	13' 3" (159")	V000182454	13' 3" (159")
152" to 157 3/4"	157" (13' 1")	V000430220	13' 6" (162")	V000168109	13' 6" (162")
152" to 157 3/4"	159" (13' 3")	V000430223	13' 7" (163")	V000181970	13' 7" (163")
158" to 163 3/4"	163" (13' 7")	V000430226	14' (168")	V000168110	14' (168")
164" to 169 3/4"	169" (14' 1")	V000430229	14' 6" (174")	V000168112	14' 6" (174")
170" to 175 3/4"	175" (14' 7")	V000430232	15' (180")	V000251477	15' (180")
176" to 181 3/4"	181" (15' 1")	V000430235	15' 6" (186")	V000251478	15' 6" (186")
182" to 187 3/4"	187" (15' 7")	V000430238	16' (192")	V000194925	16' (192")

AWNING

Variant Code Chart for Slide Toppers Prior to approximate date before August 2014

NOTE: Slide-Out width is measured from flange to flange of T-molding (exterior trim)

Fabric length is 5 inches shorter than measurement as indicated on the Variant Code Label. Once the Variant Code or Slide-Out measurement has been determined, order slide topper using the appropriate Aftermarket Variant Code Column.

Slide-Out Width (Flange to Flange)	Fabric Length	OEM Variant Code (White)	Aftermarket Variant Code (White) (Order From This Column)
56" to 61 ¾"	61" (5' 1")	V000253379 5' 6" (66")	V000163273 5' 6" (66")
62" to 67 ¾"	67" (5' 7")	V000253380 6' (72")	V000163274 6' (72")
68" to 73 ¾"	73" (6' 1")	V000253381 6' 6" (78")	V000163279 6' 6" (78")
74" to 79 ¾"	78" (6' 5")	V000253382 7' (83")	V000163285 7' (83")
80" to 85 ¾"	85" (7' 1")	V000253383 7' 6" (90")	V000163287 7' 6" (90")
86" to 91 ¾"	91" (7' 7")	V000253384 8' (96")	V000163288 8' (96")
92" to 97 ¾"	97" (8' 1")	V000253385 8' 6" (102")	V000163289 8' 6" (102")
98" to 103 ¾"	103" (8' 7")	V000253386 9' (108")	V000163290 9' (108")
104" to 109 ¾"	109" (9' 1")	V000253387 9' 6" (114")	V000163291 9' 6" (114")
110" to 115 ¾"	115" (9' 7")	V000253388 10' (120")	V000163292 10' (120")
116" to 121 ¾"	121" (10' 1")	V000253389 10' 6" (126")	V000163293 10' 6" (126")
122" to 127 ¾"	127" (10' 7")	V000253390 11' (132")	V000163294 11' (132")
128" to 133 ¾"	133" (11' 1")	V000253391 11' 6" (138")	V000163295 11' 6" (138")
134" to 139 ¾"	139" (11' 7")	V000253392 12' (144")	V000139496 12' (144")
140" to 145 ¾"	145" (12' 1")	V000253393 12' 6" (150")	V000163298 12' 6" (150")
146" to 151 ¾"	151" (12' 7")	V000253394 13' (156")	V000163299 13' (156")
152" to 157 ¾"	157" (13' 1")	V000253397 13' 6" (162")	V000163300 13' 6" (162")
158" to 163 ¾"	163" (13' 7")	V000253398 14' (168")	V000163301 14' (168")
164" to 169 ¾"	169" (14' 1")	V000253399 14' 6" (174")	V000163302 14' 6" (174")
170" to 175 ¾"	175" (14' 7")	V000253401 15' (180")	V000163303 15' (180")
176" to 181 ¾"	181" (15' 1")	V000253402 15' 6" (186")	V000163304 15' 6" (186")
182" to 187 ¾"	187" (15' 7")	V000253403 16' (192")	V000163307 16' (192")

AWNING

Variant Code Chart for Slide Toppers Prior to approximate date before August 2014

NOTE: Slide-Out width is measured from flange to flange of T-molding (exterior trim)

Fabric length is 5 inches shorter than measurement as indicated on the Variant Code Label. Once the Variant Code or Slide-Out measurement has been determined, order slide topper using the appropriate Aftermarket Variant Code Column.

Slide-Out Width (Flange to Flange)	Fabric Length	OEM Variant Code (Black)	Aftermarket Variant Code (Black) (Order From This Column)
56" to 61 ¾"	61" (5' 1")	V000253350 5' 6" (66")	V000168104 5' 6" (66")
62" to 67 ¾"	67" (5' 7")	V000253352 6' (72")	V000231482 6' (72")
68" to 73 ¾"	73" (6' 1")	V000253353 6' 6" (78")	V000165063 6' 6" (78")
68" to 73 ¾"	78" (6' 6")	V000260051 6' 11" (83")	
74" to 79 ¾"	79" (6' 7")	V000253354 7' (84")	V000168105 7' (84")
74" to 79 ¾"	83" (6' 11")	V000260049 7' 4" (88")	
80" to 85 ¾"	85" (7' 1")	V000253355 7' 6" (90")	V000165062 7' 6" (90")
86" to 91 ¾"	91" (7' 7")	V000253356 8' (96")	V000168106 8' (96")
92" to 97 ¾"	97" (8' 1")	V000253357 8' 6" (102")	V000168107 8' 6" (102")
98" to 103 ¾"	103" (8' 7")	V000253358 9' (108")	V000168108 9' (108")
104" to 109 ¾"	109" (9' 1")	V000253359 9' 6" (114")	V000168325 9' 6" (114")
110" to 115 ¾"	115" (9' 7")	V000253360 10' (120")	V000251461 10' (120")
116" to 121 ¾"	121" (10' 1")	V000253362 10' 6" (126")	V000182037 10' 6" (126")
122" to 127 ¾"	127" (10' 7")	V000253361 11' (132")	V000168326 11' (132")
128" to 133 ¾"	133" (11' 1")	V000253367 11' 6" (138")	V000184673 11' 6" (138")
134" to 139 ¾"	139" (11' 7")	V000253369 12' (144")	V000168328 12' (144")
140" to 145 ¾"	145" (12' 1")	V000253370 12' 6" (150")	V000177334 12' 6" (150")
140" to 145 ¾"	149" (12' 5")	V000279899 12' 10" (154")	V000168329 12' 10" (154")
146" to 151 ¾"	151" (12' 7")	V000253371 13' (156")	V000165061 13' (156")
146" to 151 ¾"	155" (12' 11")	V000224582 13' 4" (160")	
152" to 157 ¾"	157" (13' 1")	V000253372 13' 6" (162")	V000168109 13' 6" (162")
158" to 163 ¾"	163" (13' 7")	V000253373 14' (168")	V000168110 14' (168")
164" to 169 ¾"	169" (14' 1")	V000253374 14' 6" (174")	V000168112 14' 6" (174")
170" to 175 ¾"	175" (14' 7")	V000253375 15' (180")	V000251477 15' (180")
176" to 181 ¾"	181" (15' 1")	V000253376 15' 6" (186")	V000251478 15' 6" (186")
182" to 187 ¾"	187" (15' 7")	V000253377 16' (192")	V000194925 16' (192")

As a supplier of components to the RV industry, safety, education and customer satisfaction are our primary concerns. Should you have any questions, please do not hesitate to contact us at 432-LIPPERT (432-547-7378) or by email at customerservice@lci1.com. Self-help tips, technical documents, product videos and a training class schedule are available at lippert.com or by downloading the LippertNOW app.