

FRAMES AND CHASSIS

NOTE: Tape measure is shown across the top of the inner arm of the slide-out.

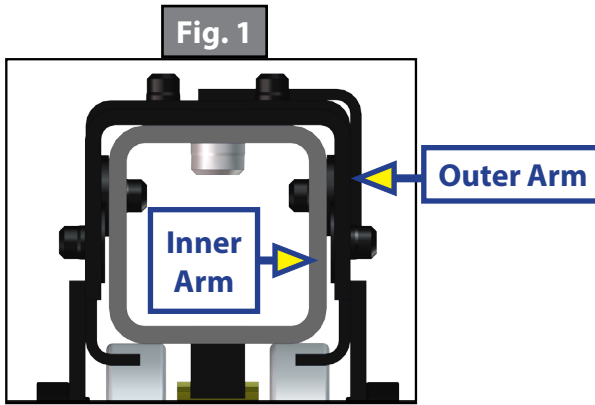
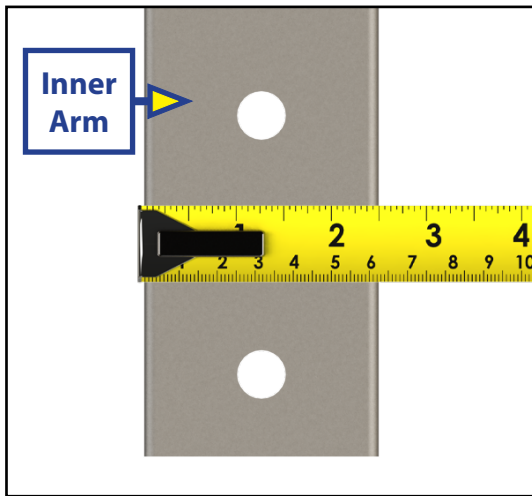
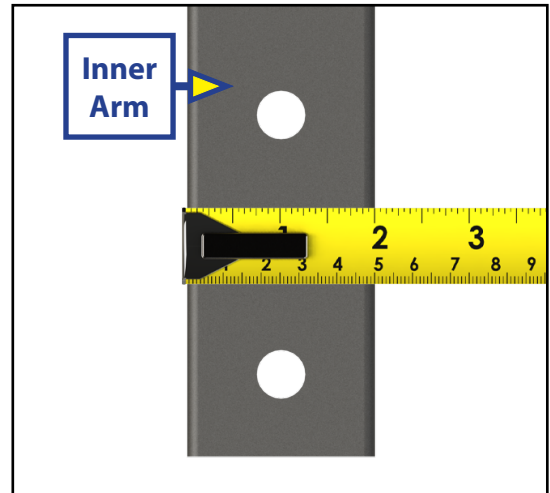


Fig. 2 - 2.5 x 2.5 Square

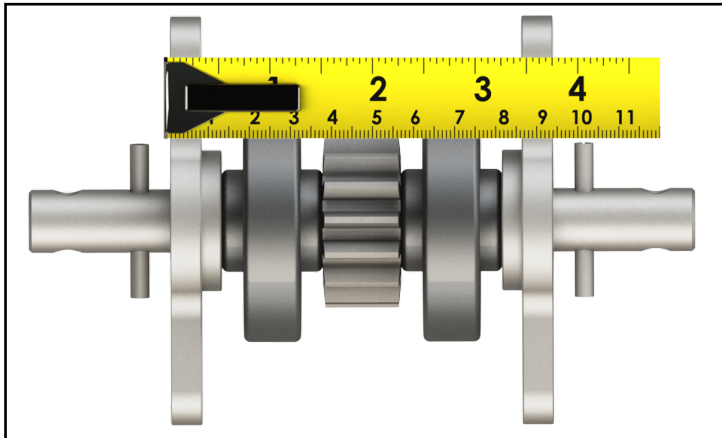


2 1/2" x 2 1/2" - Part #143707

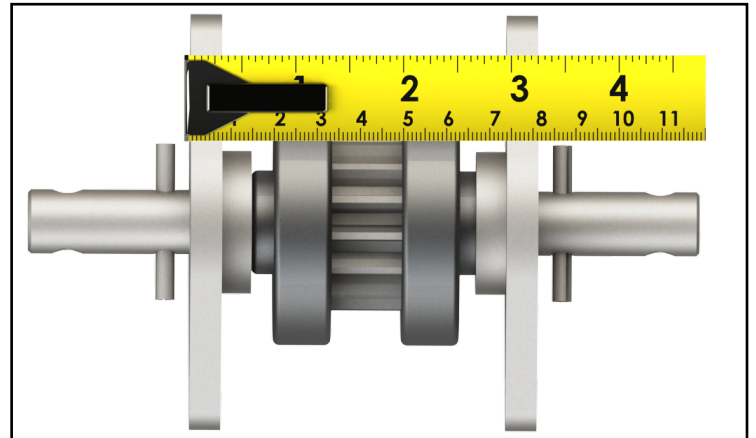
Fig. 3 - 2 x 2 Square



2" x 2" - Part #145736



Gear pack 3 3/4" outside distance of Bearing plates - Part #122837



Gear pack 3 1/4" outside distance of Bearing plates - Part #154233

As a supplier of a broad array of highly-engineered components in the recreation and transportation product markets, safety, education and customer satisfaction are our primary concerns. Should you have any questions, please do not hesitate to contact us at 432-LIPPERT (432-547-7378) or by email at customerservice@lci1.com. Self-help tips, technical documents, product videos and a training class schedule are available at lippert.com or by downloading the LippertNOW app.