

**SLIDE-OUTS**

## Purpose

This document outlines the design functionality, plugs, the block and replaceable shoe of an In-Wall Slide-out for water intrusion mitigation.

## Information

The In-Wall Slide-out system is designed to mitigate water entering the unit's interior. To assure the system functions properly, confirm the main seal and drain channels are free from dirt, debris, or any foreign objects that could impair drainage.

The list below contains the system's preventive measures to keep out water.

1. Main Seal Information
  2. Bearing Block Shoe
  3. Gear Rack — Standard and Inverted Variations
1. Main Seal Information
    - A. The main external wipe seal (Fig. 1A) catches the majority of water when properly engaged with the top, bottom and sides of the slide box.
    - B. The main seal is cut out (Fig. 2A) to allow the gear rack to move in and out of the wall. The seal is also designed to the shape of the gear rack to allow a snug fit and mitigate water intrusion into the interior of the unit.

Fig. 1

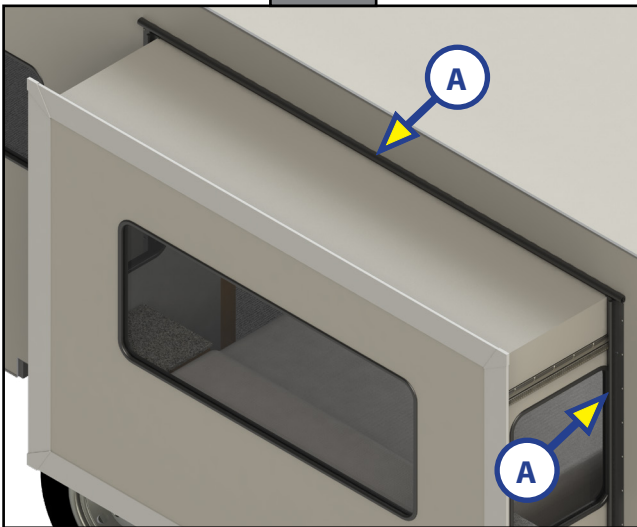


Fig. 2



## SLIDE-OUTS

## 2. Bearing Block Shoe

- A. The foam (Fig. 3A and 4A) on the bearing block shoe (Fig. 3B and 4B) minimizes the amount of water that may get past the block and into the interior.
- B. The bearing block shoe (Fig. 3B and 4B) serves primarily as a bearing and guide for system operation, but has a secondary function as an additional barrier to water intrusion.

Fig. 3

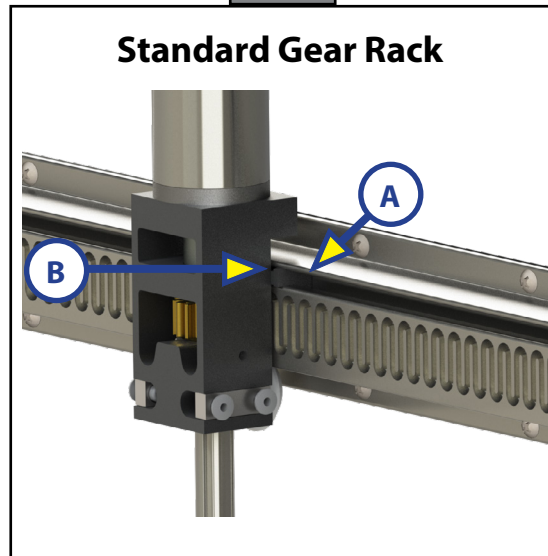
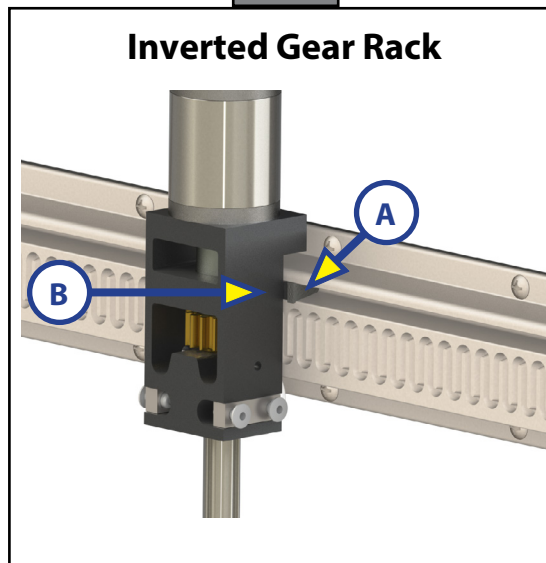


Fig. 4



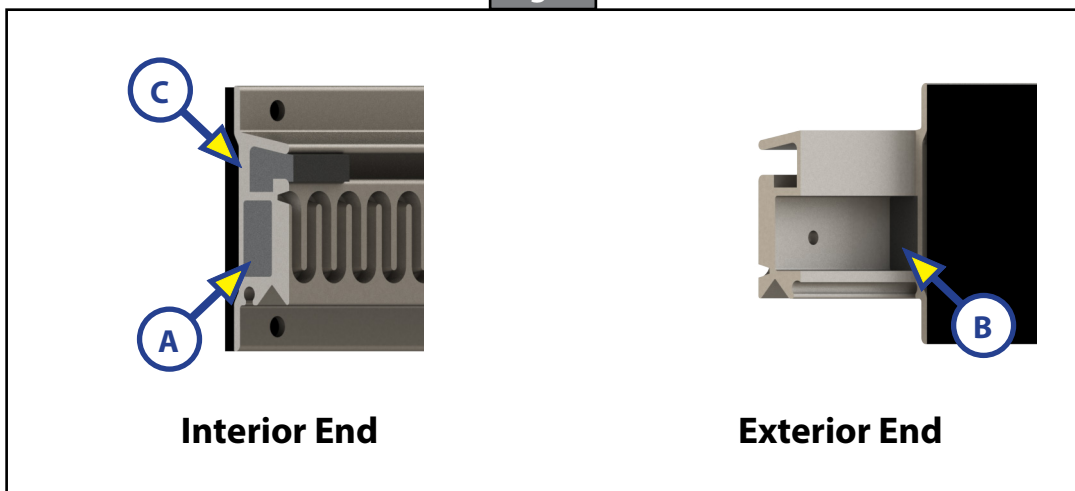
## SLIDE-OUTS

### 3. Gear Rack — Standard and Inverted Variations

- A. For both the Standard and Inverted Gear Racks, there are plugs in the center of rack at the interior end (Fig. 5A and Fig. 6A) and exterior end (Fig. 5B and Fig. 6B) to prevent water from entering inside of the In-wall Slide-out rack.
- B. The center plugs on the exterior ends (Fig. 5B and Fig. 6B) are inserted deeper into the rack. The plugs on the interior ends (Fig. 5A and Fig. 6A) are flush with the end of the rack.
- C. For the Standard Gear Rack on the interior end, there is an additional plug (Fig. 5C) for extra protection.

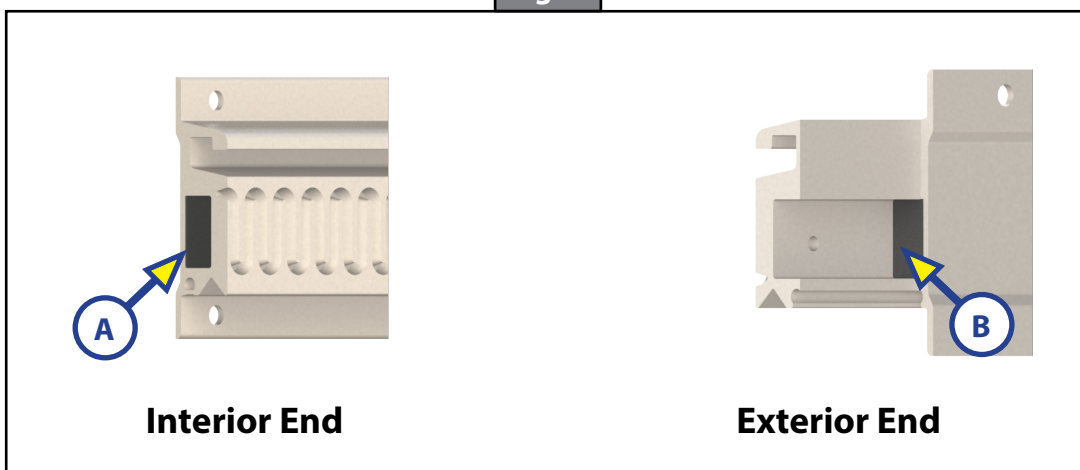
### Standard Gear Rack

Fig. 5



### Inverted Gear Rack

Fig. 6



**NOTE:** Exterior ends shown from behind the rack to show center plugs. Interior and exterior racks are on the same side of slide out wall for visual clarity.

As a supplier of components to the RV industry, safety, education and customer satisfaction are our primary concerns. Should you have any questions, please do not hesitate to contact us at 432-LIPPERT (432-547-7378) or by email at [customerservice@lci1.com](mailto:customerservice@lci1.com). Self-help tips, technical documents, product videos and a training class schedule are available at [lippert.com](http://lippert.com) or by downloading the LippertNOW app.