



Purpose

NOTE: Information for this document was obtained from Kwikkee® Tip Sheet #82-ST0501, Rev 0B dated February 2014.

This document will assist in identifying the Kwikkee Step series number and part number, for steps built after late 2005 to the present. It will also assist in determining replacement part numbers for each step component.

Instructions

How to Read the Part Number Code

The following part number code information pertains only to step units built after February 1999.

Sample part number: 90XX0Y000

XX = 2 Digit Series Number

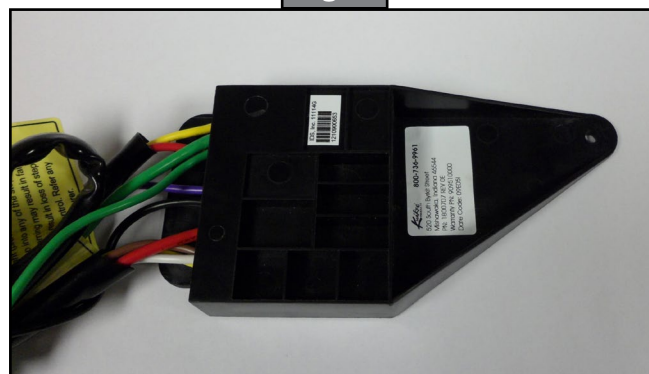
- For example, 22, 34, 40, etc.
- For special series steps, like the Revolution and Platinum series, refer to the Special Step Identification section in this document.

Y = General time frame

- If the sixth digit is a 6, 7 or 8, the step was built between early 1999 and late 2005 to early 2006. Steps built during this time period do not include the Integrated Motor Gear Linkage (IMGL) style motor, gearbox and control.
- If the sixth digit is a 9, the step was built after late 2005. The step will include the IMGL style motor, gearbox and control.

NOTE: The IMGL control has a distinct triangular shape at the end of the housing for mounting that can also assist in identification (Fig. 1).

Fig. 1





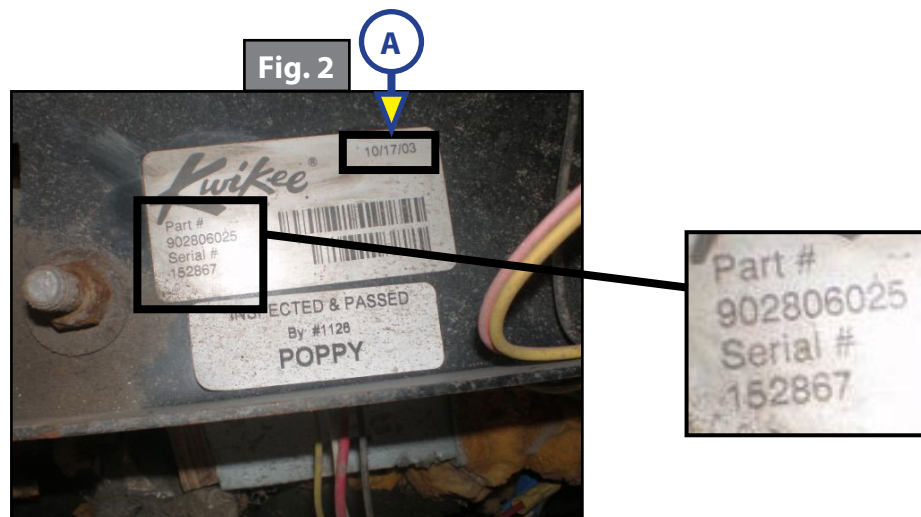
Standard Step Identification

To identify the standard step part number or series number, look for the KwikEE label under the step on the mounting surface that attaches to the unit. The label will show the part number of the step. If necessary, extend the step to see the label.

There are different types of labels used on the steps. The following figures provide some examples.

The label shown in figure 2 shows part number 902806025.

- The third and fourth digits of the part number—2 and 8—indicate that this is a 28 Series step.
- The sixth digit—6—indicates that this step was built between 1999 and 2005.



The build date of October 17, 2003, shown in the upper right corner of the label (Fig. 2A), confirms this time frame.

NOTE: This step would **not** have originally had the IMGL (integrated motor/gear box/linkage) control components installed.

NOTE: The serial number, also shown on this label, cannot be used for identification.



In Figure 3, the label shows part number 903209025.

- The third and fourth digits of the part number—3 and 2—indicate that this is a 32 Series step. This label also shows 32 Series Step (Fig. 3A).
- The sixth digit—9—indicates that this step was built after late 2005 and equipped with the IMGL parts.

The build date of 01/11/12 printed on the side of the label confirms this time frame (Fig. 3B).

NOTE: This step part number will have the IMGL components installed.



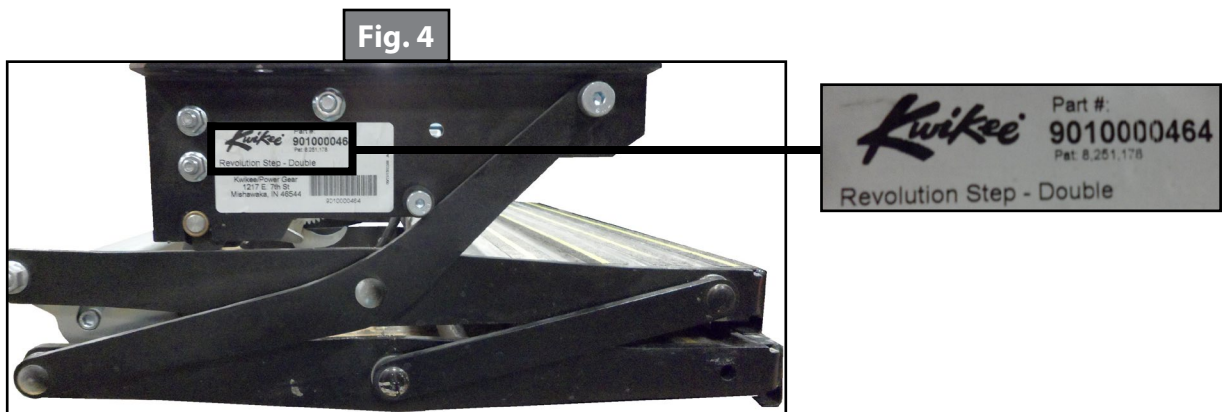


Special Step Identification

NOTE: The following information pertains to the Revolution and Platinum Series steps.

The Revolution Series and Platinum Series steps do not have a series number as do the standard series steps. These steps will show only a step part number on the Kwikkee label.

- The label for the Revolution Series step will be located on the side of the step (Fig. 4). The step is identified with its part number.



- The label for the Kwikkee Platinum (camless) Series step will be located under the step on the mounting surface that attaches to the unit. If necessary, extend the step to see the label.
- The label will show the part number of the step (Fig. 5).





Replacement Parts Tables

The following tables listing replacement part numbers are arranged by type of Step (Single, Double or Triple), then listed in order by step Series numbers and related step part numbers. Both Kwikiee and LCI component part numbers are provided for available replacement parts.

Kwikiee IMGL Replacement Parts by Step Series or Step Part Number					
Single Steps					
Series of Step	Part Number of Step	Frame Only Part Number	Gearbox Part Number	Motor Part Number	Step Control Box Part Number
26	Kwikiee 902609000 LCI 371136	Not available	Kwikiee 1101427 LCI 379162	Kwikiee 1101428 LCI 379147	Kwikiee 909510000 LCI 379146
	Kwikiee 902609025 LCI 3711363				
28	Kwikiee 902809000 LCI 3747452	Kwikiee 908028000 LCI 3747457	Kwikiee 1101426 LCI 379161	Kwikiee 1101428 LCI 379147	Kwikiee 909510000 LCI 379146
	Kwikiee 902809025 LCI 3747453				
29	This series is obsolete / discontinued. There are no parts available. This series has been replaced by 39 Series step, Kwikiee 903909025 / LCI 3724742				
30	Kwikiee 903009000 LCI 3694112	Not available	Kwikiee 1101425 LCI 379160	Kwikiee 1101428 LCI 379147	Kwikiee 909510000 LCI 379146
31	Kwikiee 903109000 LCI 375332	Not available	Kwikiee 1101426 LCI 379161	Kwikiee 1101428 LCI 379147	Kwikiee 909510000 LCI 379146
	Kwikiee 903109025 LCI 3753321				
33	Kwikiee 903309000 LCI 372266	Not available	Kwikiee 1101425 LCI 379160	Kwikiee 1101428 LCI 379147	Kwikiee 909510000 LCI 379146
	Kwikiee 903309025 LCI 3722661				
35	Kwikiee 903509000 LCI 369146	Not available	Kwikiee 1101425 LCI 379160	Kwikiee 1101428 LCI 379147	Kwikiee 909510000 LCI 379146
	Kwikiee 903509025 LCI 3691461				
36	Kwikiee 903609000 LCI 375627	Kwikiee 908036000 LCI 379412	Kwikiee 1101425 LCI 379160	Kwikiee 1101428 LCI 379147	Kwikiee 909510000 LCI 379146
	Kwikiee 903609025 LCI 3756271				


Kwikee IMGL Replacement Parts by Step Series or Step Part Number
Single Steps, continued

Series of Step	Part Number of Step	Frame Only Part Number	Gearbox Part Number	Motor Part Number	Step Control Box Part Number
37	37 Series single step 903709025 is obsolete / discontinued. The only parts available are those listed below with an equivalent LCI part number. This 37 Series step was not directly replaced with another.				
	Kwikee 903709025 Not Available	Not available	Kwikee 1101426 LCI 379161	Kwikee 1101428 LCI 379147	Kwikee 909510000 LCI 379146
38	Kwikee 903809000 LCI 3723382	Not available	Kwikee 1101425 LCI 379160	Kwikee 1101428 LCI 379147	Kwikee 909510000 LCI 379146
	Kwikee 903809025 LCI 3723383				
39	Kwikee 903909000 LCI 372474	Not available	Kwikee 1101426 LCI 379161	Kwikee 1101428 LCI 379147	Kwikee 909510000 LCI 379146
	Kwikee 903909025 LCI 3724742				
Revolution	Kwikee 9010000465 LCI 3726041	Not available	Not available	Kwikee 1010002326 LCI 380073	Kwikee 1510000172 LCI 363980 (Has motor plug)
					Kwikee 1510000140 LCI 363985 (Hard wired to control)

Kwikee IMGL Replacement Parts by Step Series or Step Part Number
Double Steps

Series of Step	Part Number of Step	Frame Only Part Number	Gearbox Part Number	Motor Part Number	Step Control Box Part Number
22	Kwikee 902209025 LCI 374935	Not available	Kwikee 1101425 LCI 379160	Kwikee 1101428 LCI 379147	Kwikee 909510000 LCI 379146
27	This series is obsolete / discontinued. There are no parts available. This series has been replaced by a 40 Series step, Kwikee 904009025 / LCI 3726892 .				
32	Kwikee 903209000 LCI 3722615	Kwikee 908032000 LCI 3722618	Kwikee 1101425 LCI 379160	Kwikee 1101428 LCI 379147	Kwikee 909510000 LCI 379146
	Kwikee 903209025 LCI 372261				
	Kwikee 903209100 LCI 3722613				
	Kwikee 903211000 LCI 3722612				


Kwikee IMGL Replacement Parts by Step Series or Step Part Number
Double Steps, continued

Series of Step	Part Number of Step	Frame Only Part Number	Gearbox Part Number	Motor Part Number	Step Control Box Part Number
34	Kwikee 903409000 LCI 372286	Kwikee 908034000 LCI 3722864	Kwikee 1101425 LCI 379160	Kwikee 1101428 LCI 379147	Kwikee 909510000 LCI 379146
	Kwikee 903409025 LCI 3722862				
	Kwikee 903409100 LCI 3722861				
40	Kwikee 904009000 LCI 372689	Not available	Kwikee 1101425 LCI 379160	Kwikee 1101428 LCI 379147	Kwikee 909510000 LCI 379146
	Kwikee 904009025 LCI 3726892				
41	41 Series double step 904100900 is obsolete / discontinued. It has been replaced by 904109000 / LCI 375683.				
	Kwikee 904109000 LCI 375683	Not available	Kwikee 1101425 LCI 379160	Kwikee 1101428 LCI 379147	Kwikee 909510000 LCI 379146
42	Kwikee 90420900 LCI 372779	Contact LCI	Not applicable	Kwikee 1820124 LCI 369506	Kwikee 909510000 LCI 379146
	Kwikee 904209000 LCI 372779				
	Kwikee 904209003 LCI 3727791				
	Kwikee 904209025 LCI 3727792				
	Kwikee 904239000 LCI 375578				
	Kwikee 904209090 LCI 374158				
	Kwikee 904239090 LCI 376003				


Kwikee IMGL Replacement Parts by Step Series or Step Part Number
Double Steps, continued

Series of Step	Part Number of Step	Frame Only Part Number	Gearbox Part Number	Motor Part Number	Step Control Box Part Number
47	Kwikee 904709000 LCI 373524	Contact LCI	Not applicable	Kwikee 1820124 LCI 369506	Kwikee 909510000 LCI 379146
	Kwikee 904709010 LCI 373525				
	Kwikee 904711010 LCI 375880				
47	47 Series double step 904739000 is obsolete / discontinued. There are no parts available. It was not directly replaced with another step product.				
Platinum	Kwikee 9010000220 LCI 372558	Kwikee 1010000824 LCI 369527	Kwikee 1101425 LCI 379160	Kwikee 1101428 LCI 379147	Kwikee 1510000140 LCI 363985
Revolution	Kwikee 9010000464 LCI 372579	Kwikee 9010000675 LCI 3725792	Not applicable	Kwikee 1010002326 LCI 380073	Kwikee 1510000172 LCI 363980 (Has motor plug)
					Kwikee 1510000140 LCI 363985 (Hard wired to control)


Kwikee IMGL Replacement Parts by Step Series or Step Part Number

Triple Steps					
Series of Step	Part Number of Step	Frame Only Part Number	Gearbox Part Number	Motor Part Number	Step Control Part Number
23	Kwikee 902309000 LCI 3694041	Not available	Kwikee 1101425 LCI 379160	Kwikee 1101428 LCI 379147	Kwikee 909510000 LCI 379146
	Kwikee 902309025 LCI 3694042				
24	Kwikee 902409000 LCI 375821	Kwikee 908024000 LCI 379411	Not applicable	Kwikee 1820124 LCI 369506	Kwikee 1510000158 LCI 363982
	Kwikee 902409025 LCI 3758211				
25	Kwikee 902509000 LCI 365837 *	Kwikee 908025000 LCI 3658374 *	Not applicable	Kwikee 1820124 LCI 369506	Kwikee 1510000158 LCI 363982
	Kwikee 902509007 LCI 369552 **	Not available			
	Kwikee 902509025 LCI 3658373 *	Kwikee 908025000 LCI 3658374 *			
	Kwikee 902509100 LCI 3658372	Not available			

* 8" Rise

** 7" Rise



Figures 6 through 12 illustrate the various styles and types of control boxes, motors and linkages used in the IMGL step products.

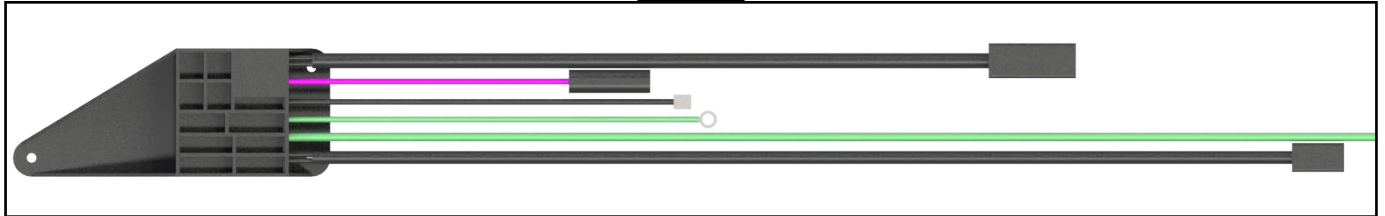
IMGL Control Box

See figure 6 for the following applicable Kwikiee / LCI part numbers:

- Kwikiee 909510000 / LCI [379146](#)
- Kwikiee 1510000158 / LCI [363982](#)
- Kwikiee 1510000172 / LCI [363980](#)

NOTE: Kwikiee 1510000140 / LCI 363985 is hard-wired from the control box to the motor wire. It does not use the motor plug.

Fig. 6



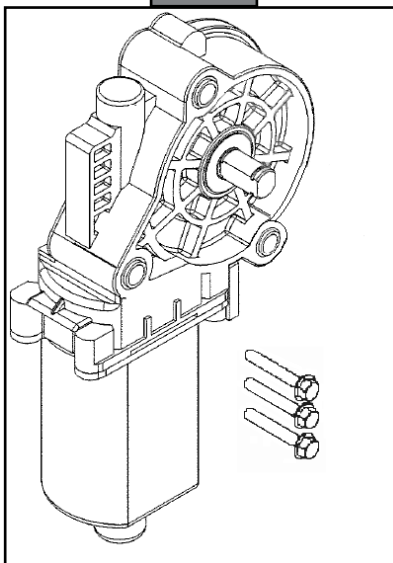
IMGL Standard Motor

See figure 7 for the following applicable Kwikiee / LCI part number:

- Kwikiee 1101428 / LCI [379147](#)

NOTE: Screws are not available separately.

Fig. 7





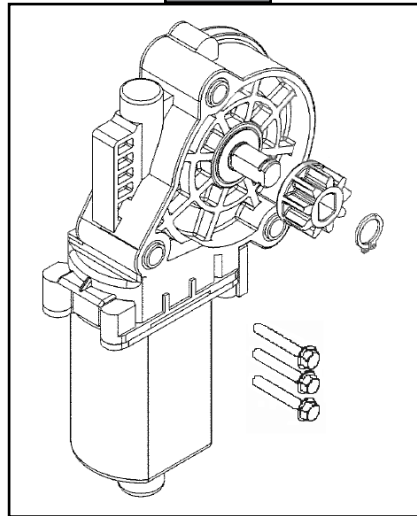
Triple 24/25 Series Motor

See figure 8 for the following applicable Kwikiee / LCI part number:

- Kwikiee 1820124 / LCI [369506](#)

NOTE: Screws and Gear are not available separately.

Fig. 8



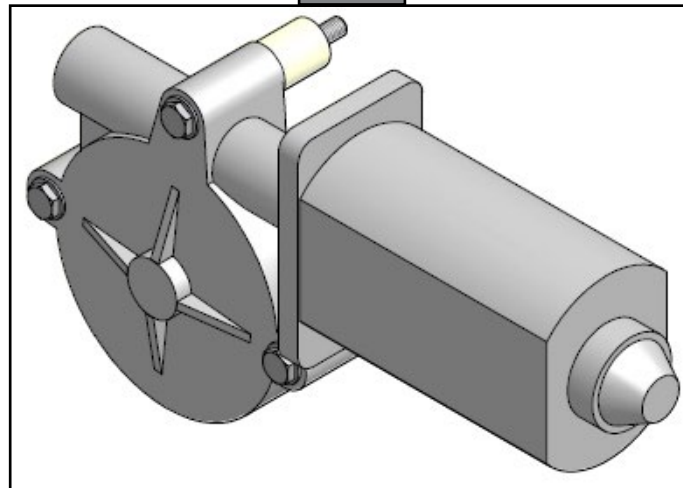
Revolution Series Motor Service Kit

See figure 9 for the following applicable Kwikiee / LCI part number:

- Kwikiee 1010002326 / LCI [380073](#)

NOTE: Screws and Gear are not available separately.

Fig. 9





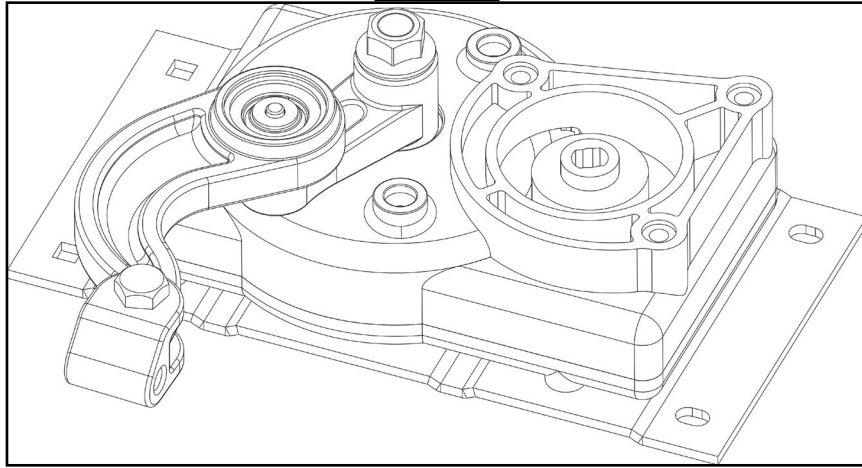
"A" Style Linkage Arm

See figure 10 for "A" Style linkage used in step Series 22, 23, 30, 32, 33, 34, 35, 36, 38, 40:

- Kwikkee Gearbox 1101425 / LCI [379160](#)

NOTE: Screws and Gear are not available separately.

Fig. 10



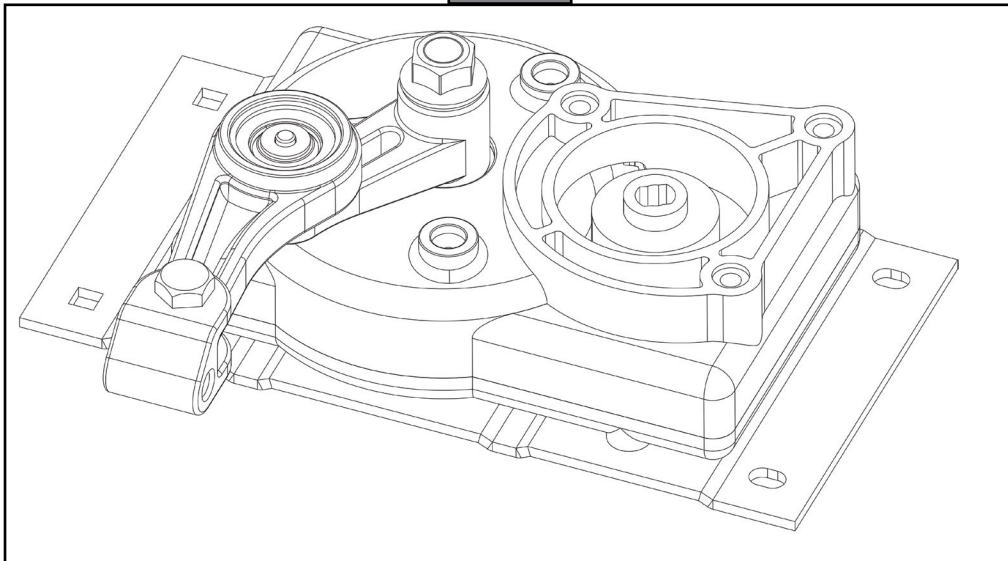
"B" Style Linkage Arm

See figure 11 for "B" Style linkage used in step Series 28, 31, 37, 39:

- Kwikkee Gearbox 1101426/LCI [379161](#)

NOTE: Gear and washers are not available separately.

Fig. 11





"C" Style Linkage Arm

See figure 12 for "C" Style linkage used in step Series 22, 23, 30, 32, 33, 34, 35, 36, 38, 40:

- KwikEE Gearbox 1101427 / LCI [379162](#)

NOTE: Gear and washers are not available separately.

Fig. 12

