

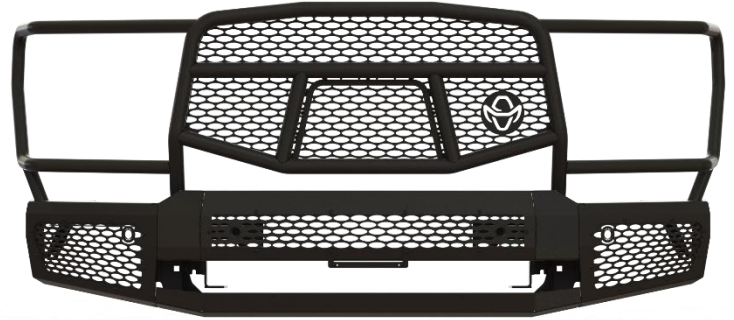
IMPORTANT NOTICE: BE SURE TO INSPECT AND TEST FIT PRODUCT BEFORE HAVING IT COATED OR PAINTED. RANCH HAND WILL NOT BE RESPONSIBLE FOR THE COST OF THE COATING IF ANY PROBLEMS WITH FIT OR FINISH ARE NOT NOTED AND ADDRESSED BEFOREHAND.

NOTE: FOR VEHICLES EQUIPPED WITH ADAPTIVE CRUISE CONTROL, USE THE PROVIDED CENTER INSERT WITH SENSOR HOLE CUT. **DO NOT USE THE NON-CUT INSERT AS SENSOR MAY NOT PROPERLY FUNCTION.**

NOTE: YOU WILL LOSE YOUR MOTORIZED AIR DAM AND FACTORY FOG LIGHTS!

TOOLS REQUIRED

- Ratchet & Extension
- 7/16", 1/2", 3/4" sockets and wrenches
- 13mm, 15mm, 21mm sockets and wrenches
- 5/32" Allen wrench
- Torx T25
- Flat head and Phillips's screw drivers



Please read through the entire set of instructions before continuing with installation to familiarize yourself with the process, save time, and make sure that you have all the corrects tools and parts needed to complete this installation. Instructions can be found on our website.

DISASSEMBLY INSTRUCTIONS

1. From passenger side, locate and disconnect the main wiring harness. There will also be a plug for the lower louver system.
2. To remove the factory bumper, remove the three 21mm mounting nuts from each frame horn.
3. On some models, there will be one more plug above the bottom louver system. Slowly pull bumper away from frame and disconnect plug.
4. Once bumper is removed, remove the frame plates, fog lights, sensors and wiring harness. Also remove the adaptive cruise module if present.
5. Using a 15mm socket, remove the factory tow hooks.

PREPPING THE MIDNIGHT FRONT BUMPER FOR INSTALLATION

To prepare for installation, begin by laying out the included components in the box. Each part required for installation is wrapped individually and should be accounted for along with the included checklist. Please inspect all parts of your new Ranch Hand product before installing. If any parts are missing or damaged, please contact the Ranch Hand Customer Service Team, customerservice@ranchhand.com, immediately before proceeding with installation.

1. Begin by unwrapping the bumper and position the bumper on the ground, just as it would sit on your truck/SUV.
2. Place the fog light insert through the back of the bumper. Using a 5/32" Allen wrench and 7/16" wrench secure the two bottom and two outer edge holes with the provided 3/4" socket button head bolts and kep nuts.
3. Place the fog light bracket in position over the fog light insert. Secure both the fog light inserts and bracket to the bumper using the 3/4" socket button head bolts and kep nuts (8x per side).
4. Repeat this step for both the passenger and driver side of the bumper.
5. Place the center insert, from the inside, in the middle of the bumper and begin securing the 3/4" socket button head bolts and kep nuts. Secure eight of the holes, leaving the center bottom two holes as is without bolts. These will be used to attach the license plate later.
6. Place the removable camera insert on the grille guard from the inside and attach with the 3/4" socket button head bolts and kep nuts. *Note: If your vehicle comes equipped with a front mounted camera, skip this step.

FOR VEHICLES WITH SENSORS

NOTE: TRY USING THE SMALL GROMMET WITH YOUR SENSORS FIRST. IF THE SENSOR WILL NOT FIT OR IS TOO TIGHT, REMOVE THE “KNOCK-OUT” SECTION AND USE THE LARGER GROMMET.

1. If your vehicle has OEM front parking sensors, carefully remove the sensors from the OEM bumper.
2. Using the grommets provided in the included bolt pack, reinstall the OEM sensors. Place the grommet inside the hole directly on the insert. Once it is in place, apply WD-40 around the inside of the grommet to help guide the sensor into place without damaging it. Push the sensor through the grommet from the back side of the insert. If vehicle is equipped with six sensors, remove the “knock-out” in the endcaps and install rubber grommets.
3. If sensors are unable to fit into the sensor hole on the insert, knock out the hole entirely and continue by using the provided large diameter grommets.
4. Take the sensor pigtail/wires that were removed from the OEM bumper and route the wiring harness from sensor to sensor on the bumper. Route the wires through the mounting bracket using the holes located on the sides of both brackets. Be sure to avoid leaving the wiring harness on top of the bracket.
5. For installation of adaptive cruise sensor, drill out existing module mounting holes using ¼” bit. Module is installed using two ¼” x 1 ½” bolts, bolted through and to the rear of the module. Bolt the bracket and module combination to the bumper using ¼” button screws.

INSTALLING THE MIDNIGHT FRONT BUMPER

Refer to the provided schematic diagram that indicates proper placement of bolts and their locations. The following steps are recommended to be performed with at least one partner; we recommend having two partners to assist. One to help hold the bumper in place and the other to guide the bolts through the brackets and into the frame.

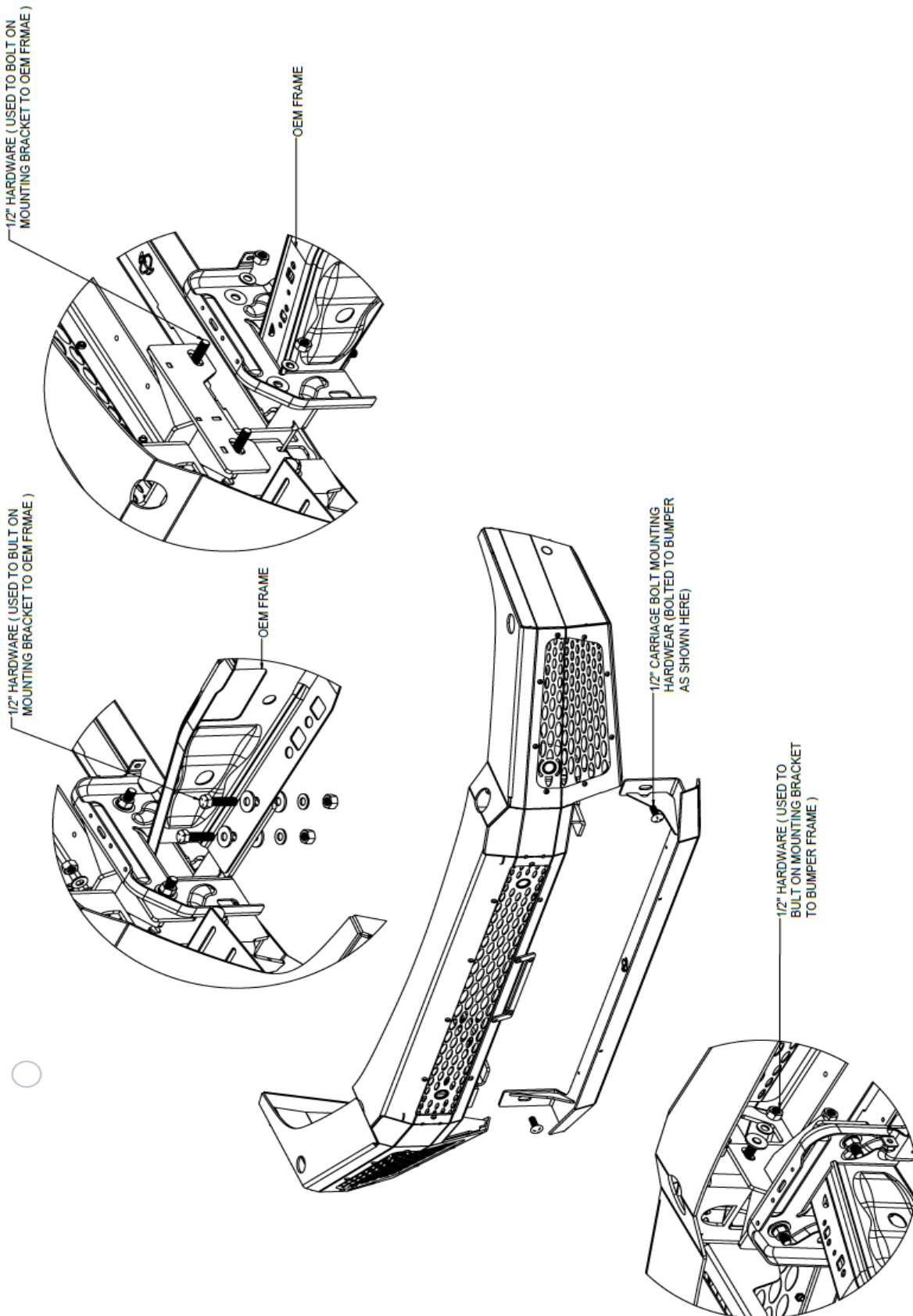
1. Mount the support brackets to the bottom of the frame and top holes of the frame horns.
2. With one person supporting each side, line the bumper’s mounting plate up with the mounting bracket. A third person should be underneath the vehicle to temporarily tighten each of the bolts to secure the bumper to the mounting bracket per mounting diagram.
3. With two people still supporting each side of the bumper, adjust the bumper so that there is an even amount of space along the grille, the headlights, and all the way across the front of the truck. Once the bumper is in place, continue by tightening all the mounting hardware.
4. Reconnect any OEM wiring harnesses disconnected when removing the OEM bumper. This includes sensor wiring harnesses. All must be plugged back into OEM location on truck. It may be necessary to use zip ties to secure loose wiring.

ADA INSTALLATION

1. See packing list to identify ADA for installation.
2. Have one person hold the ADA bar in place while the other places bolts through the bolt holes and hand tighten the nuts (very similar to step 1 above titled, “Installing the Midnight Front Bumper). DO NOT over-tighten the bolts, otherwise step 2 will become difficult.
3. Adjust the placement of the ADA until it is flush and aligned with the rest of the bumper. Once in place, firmly tighten the bolts.

LICENSE PLATE BRACKET INSTALLATION

1. Retrieve the U-shaped license plate bracket as well as the four ¼” socket button head bolts and Kep nuts.
2. Attach the top of the U-bracket to the grille guard using the two ¼” socket button head bolts and Kep nuts.
3. Attach the license plate to the bottom of the U-bracket using the two ¼” socket button head bolts and Kep nuts bolts.
4. Check and tighten all mounting fasteners.



ADAPTIVE CRUISE MODULE AND BRACKET INSTALL:

