

SURESHADE TECHNICAL DOCUMENTATION

MTF Manual Boat Shade

Installation Instructions & Owner's Manual



SURESHADE
EXTENDING THE EXPERIENCE

A Lippert Components Company 

SURESHADE

A Lippert Components Company
1900 47th Terrace East
Brandenton, FL 34203
Tel: 1-877-333-8323
International: 215-673-2307
www.sureshade.com

MTFINSTALL-082020



CONTENTS

Introduction3

Customer Support.....3

Warranty Information.....3-4

Important Instructions.....5

Safety Warnings.....5

Installation - Mounting Clamps.....6

Installation – Steps and Tools Required.....7

Installation – Topside Mounting.....8

Installation – Underside Mounting – Hanging.....9

Installation – Underside Mounting – Standard.....10

Installation – Underside Mounting – Rod Holders.....11

Installation – Underside Mounting – Radar Arch.....12-13

Installation – Side Mounting.....14

Installation - Attach the Crossbars.....15

Installation – Secure the Roller Assembly.....16-17

Installation – Secure Outer Crossbars and Canvas.....18

Shade Operation.....19

Care and Maintenance.....20



INTRODUCTION

Thank you for purchasing a SureShade retractable shade for your boat. Invented by boaters for boaters, SureShade is the new standard for shade on boats. Our automated or manual retractable shade systems are featured on over 50 boat brands as factory or aftermarket installations. SureShade is the only U.S.-made telescoping marine sunshade on the market, with patents in the U.S., Canada, Europe and China. SureShade is committed to improving sun safety on boats with shade systems that give boaters more sun protection... where and when they need it.

CONTACT INFORMATION

CUSTOMER SUPPORT

We take pride in offering an unprecedented level of customer service to our boat builders, dealers and — most importantly — the boaters who use our sunshade systems. Whether you purchased your sunshade system as a factory-install option, an aftermarket installation through your local boat dealer or directly from us, you can have confidence in continued customer service resources from SureShade. Should you require assistance with your SureShade installation, our technical experts are available from 9am - 5pm EST Monday through Friday via email at service@sureshade.com or call us at 877-333-8323. Further customer resources and information can be found on our website at: <https://www.sureshade.com/customer-resources/>

MODEL AND SERIAL NUMBER TAG LOCATION

The canvas is identified by the white tag sewn into the canvas. Please do not remove this label.

SURESHADE LIMITED PRODUCT WARRANTY STATEMENT

SureShade provides the following Limited Warranty of its electric and manual sunshade awning systems. SureShade warrants that the shade framework — which consists of the actuator drive assemblies, crossbars, roller assembly, mounts and in the case of an electric shade, the motors, controller and wire that connects the actuators to the controller — will be free from material defects and workmanship and will repair or replace, at its sole discretion, any inoperable components that are reported within 3 years from the date of shade sale to original purchaser — boat builder, dealer or private boat owner. SureShade will also replace, at its sole discretion, the **canvas component** of the shade system (electric or manual) when reported defective within one year from the date of canvas manufacture as indicated on the white manufacturer tag attached to the canvas (tag must remain attached for warranty purposes).

Exclusions to this limited warranty are as follows:

- Damage resulting from abuse, misuse, neglect, improper installation, improper operation, improper maintenance, attempted repair efforts resulting in further damage, power surges, underpowering or forcing operation in low voltage situations, improper stowage for ground transportation, inclement weather or other act of nature.



- Damage resulting from leaving the shade extended unattended during inclement weather.
- Damage resulting from leaving shade extended in conditions that exceed the shade framework's wind rating of 50 mph (Applies to aft facing shade only. Forward shade must be stowed at all times while boat is underway).
- Damage resulting from corrosion.
- Any shade product that has been altered or modified from SureShade factory specifications.
- Any shade that's installed without SureShade-supplied or approved mounting components.
- Removal and/or dismantling of the shade and its components (including actuator drive system) without proper notification to SureShade.
- Attempted controller reset that results in loss of controller memory, specifically the manipulation of dip switches 1-4.
- Deterioration of the canvas thread and stitching.
- Travel time to/from boat to troubleshoot, repair and/or replace components.
- Labor cost and expenses associated with removal or reinstallation of other components in order to access the shade product components.
- Any cost associated with production downtime or time spent troubleshooting or reviewing troubleshooting documentation/videos.
- Excessive labor cost beyond recommended standard labor repair rates.

SureShade reserves the right to utilize reconditioned, refurbished, repaired or remanufactured products or parts in the warranty repair or replacement process. Such products and parts will be comparable in function and performance to an original product or part and warranted for the remainder of the original warranty period. In no event shall any repair or replacement under this Limited Warranty exceed the fair market value of the product as of the date of the owner's claim. Acceptance of any product returned for any refund provided by SureShade shall not be deemed an admission that the product is defective. In order for a warranty claim to be deemed valid, the following information must be provided to SureShade immediately after discovery of any defect:

- Description of the nature of the problem
- Details of the boat that the shade is installed on — year, make, model and hull identification number.
- Date of shade purchase, or in the case of factory install, date of boat purchase.
- Details of the installation — Factory install? Dealer install? Private install?

SureShade will make every effort to troubleshoot, determine root cause and fully resolve the issue, either directly or with an experienced marine technician. SureShade is solely responsible for determining and authorizing the remedial actions to be performed either by a SureShade technician or an experienced marine technician approved by SureShade. The remedy of repair or replacement of parts or materials that are found to be defective in factory materials or workmanship covered by this limited warranty shall constitute the owner's sole and exclusive remedy against SureShade for any claims whatsoever of economic loss resulting from product failure. Please contact us or call 877-333-8323 with any questions or concerns, or if replacement canvas or parts for SureShade sunshade systems are needed.



IMPORTANT INSTRUCTIONS

- In the event of malfunction please visit <https://www.sureshade.com/service/> and review applicable videos and documentation before continuing to operate the system or making any repairs. You may also submit a service request via email at service@sureshade.com. Do **NOT** attempt to repair shade on your own or you could risk voiding the warranty.
- Never disassemble actuators without permission from SureShade factory or you will void warranty.
- Do **NOT** install the shade anywhere it will obstruct or interfere with the navigation lights or any other boat accessories.
- When tensioning the canvas, refer to <https://www.sureshade.com/service-and-technical-documentation/> for proper roller pre-load instructions. Improper tensioning can cause spring malfunction, which will prevent the roller assembly from operating normally.
- Your SureShade product has been designed and tested to withstand wind speeds of up to 50 mph. However, it is recommended to retract the shade while underway.
- To protect the shade and components, always retract shade during inclement weather. Retracting the shade when **NOT** in use will prolong the life of the canvas and components.
- Refer to the SureShade website for maintenance and winterization procedures. <https://www.sureshade.com/customer-resources>
- Do **NOT** operate the shade without the crossbars attached.
- It is important to understand the Warnings, Cautions and Notices **BEFORE** starting the installation.

SAFETY WARNINGS

- Keep hands away from moving shade parts.
- Keep clear of shade while extending and retracting.
- Keep shade clear of obstructions.

Important Maintenance Warning: The actuators are **spring-loaded**. This means that when in the retracted position, the actuators are under constant pressure to extend the framework forward. Controlled operation of the unit is dependent on the canvas, roller and gearbox components. The roller and gearbox are of robust design; however canvas material and stitching can deteriorate, rip, or break over time which could result in and uncontrolled extended movement of the framework. It is important to conduct visual inspections of the canvas and stitching and to replace or repair canvas when necessary. When removing canvas from the framework, the **framework must be in the extended position.**

SAFETY LABEL LOCATIONS

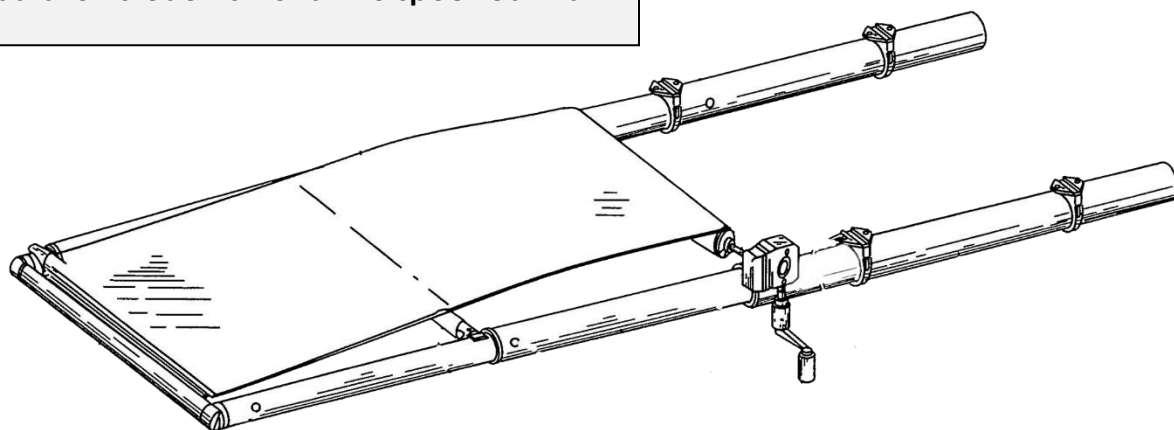
Safety labels must be legible to alert personnel of safety hazards. Replace any illegible or missing labels immediately. Safety labels removed during any repair work must be replaced in their original position before operating the shade.



Installing MTF Manual Boat Shade

The following instructions detail how to properly install SureShade MTF Manual Boat Shade system for DIY or aftermarket installations. SureShade MTF can be installed aftermarket on a hardtop, arch, tower or T-Top. Installation instructions will vary per application.

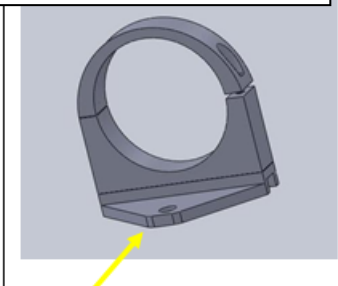
Most important part of the installation is to make sure the actuators are installed parallel to each other at the specified width



Mounting Brackets

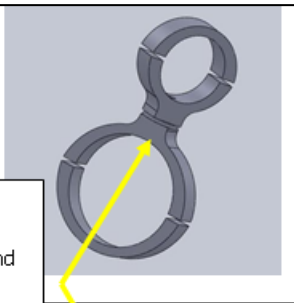
There are 3 types of mounting clamp configurations included with your shade system depending on your install type (hardtop, T-top, tower or arch) as shown below here in figures 1a thru 1c.

Fig 1a – standard mount



Use starboard material to prop up underneath the clamp for a spacer to clear any obstruction on the hardtop with standard mounts

Fig 1b – FIGURE 8 clamp



Use a spacer tube and longer connector screw to adjust spacing between clamps on FIGURE 8

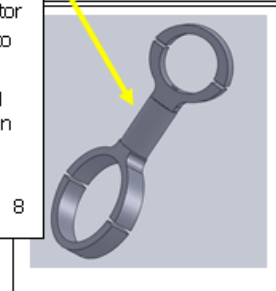


Fig 1c – FIGURE 8 SWIVEL clamp



Use a longer swivel screw connector and nut to adjust spacing between clamps on FIGURE 8 SWIVEL clamps. Note you may have to trim the screw so that it doesn't protrude into the inside diameter of the clamp where the actuator is positioned in the clamp



Installation Steps

Each MTF is custom-built to match the width of your top. Be aware that the outside width includes two stationary actuators with a pair of mounting clamps. These actuators require an area 4 inches wide by 18 inches long to mount properly on each side. The roller and crossbars require another 7½ inches when retracted, but these elements need not be positioned completely under the top.

Make sure the area aft is clear of obstructions that might interfere with extension of the 6-foot-long shade.

Installation Steps to follow:

1. Mark the position of the mounting clamps
2. Secure the mounting clamps in place
3. Secure the actuators in place

4. Secure the mid crossbar in place
5. Secure the roller assembly in place
6. Secure the outer crossbar in place

Steps 1-3: Be sure to follow installation instructions for the type of mounting that will be used on your boat:

- Topside mounting
- Underside mounting (hanging or standard)
- Underside mounting with rod holders
- Underside mounting with radar arch
- Sidewall mounting

TOOLS & SUPPLIES NEEDED FOR INSTALLATION:

- SureShade MTF
- Tape measure
- Drill motor and 3/8-inch bit
- Adjustable wrench
- Allen wrenches (1/8 and 3/16 inches)
- Phillips screwdriver
- Marine sealant

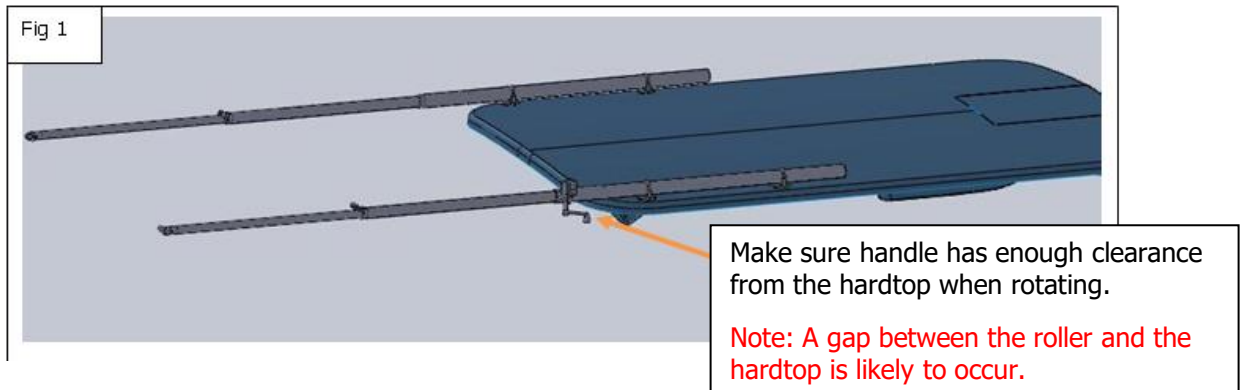
Approximate Time: 3 Hours



Topside Mounting

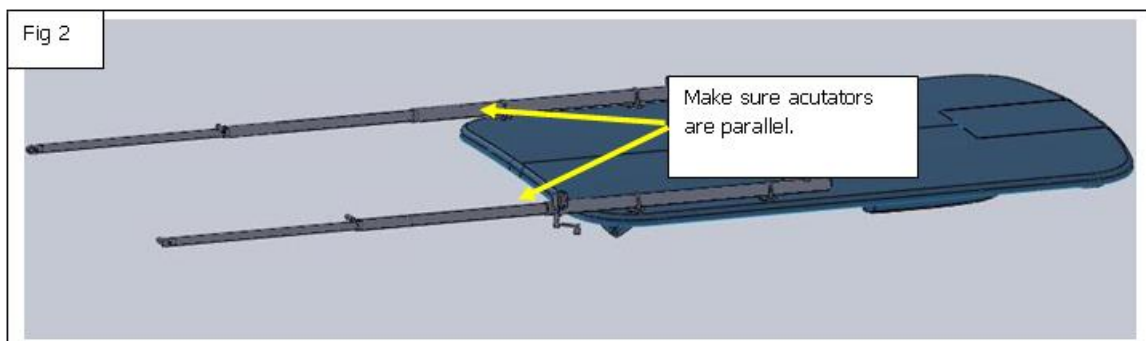
Position and secure mounting clamps and actuators into place.

1. Position both actuators on top of the hardtop resting on the bottom half of the mounting clamps (Fig 1). Make sure on top mount applications as shown in Fig 1 that the crank handle will have enough clearance from the hardtop when rotating.



2. Position the actuators and ensure they are aligned / parallel (Fig 2).

NOTE – the actuators must be aligned (parallel) to ensure proper functioning of the shade system.



3. Mark the forward and aft positions of the mounting plates
4. Drill and secure the mounting clamp to the hardtop in the marked locations.
5. Secure actuators to the mounting clamps.

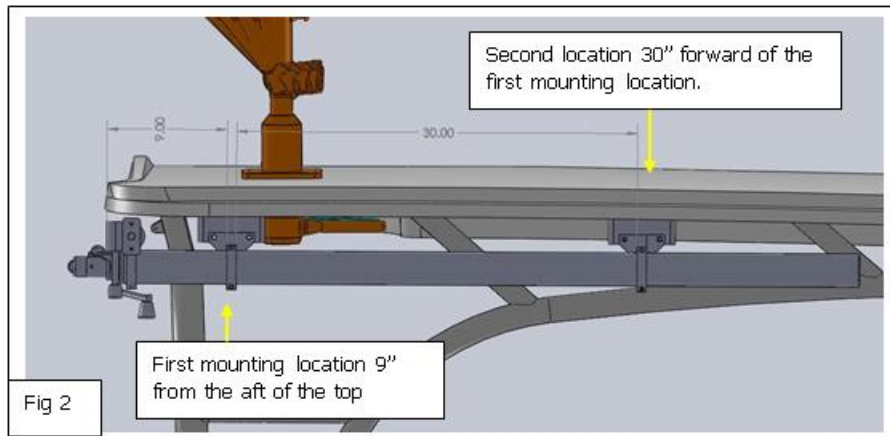


Underside Mounting - Hanging

Position and secure mounting clamps and actuators into place.

1. Mark the hole locations for the mounting clamps, position and secure mounting clamps and actuators into place.

NOTE – the actuators must be aligned (parallel) to ensure proper functioning of the shade system.



2. For each location, mark the bolt hole locations. Drill through the top structure with a 3/8 drill bit and thru bolt the actuator in place using the 5/16 screws provided along with the backing plates. Use Loctite with the thru bolts.
3. Secure the actuators to the mounting clamps. Keep in mind to position the actuator so that the handle, gearbox, and roller do not interfere with anything on the top structure.



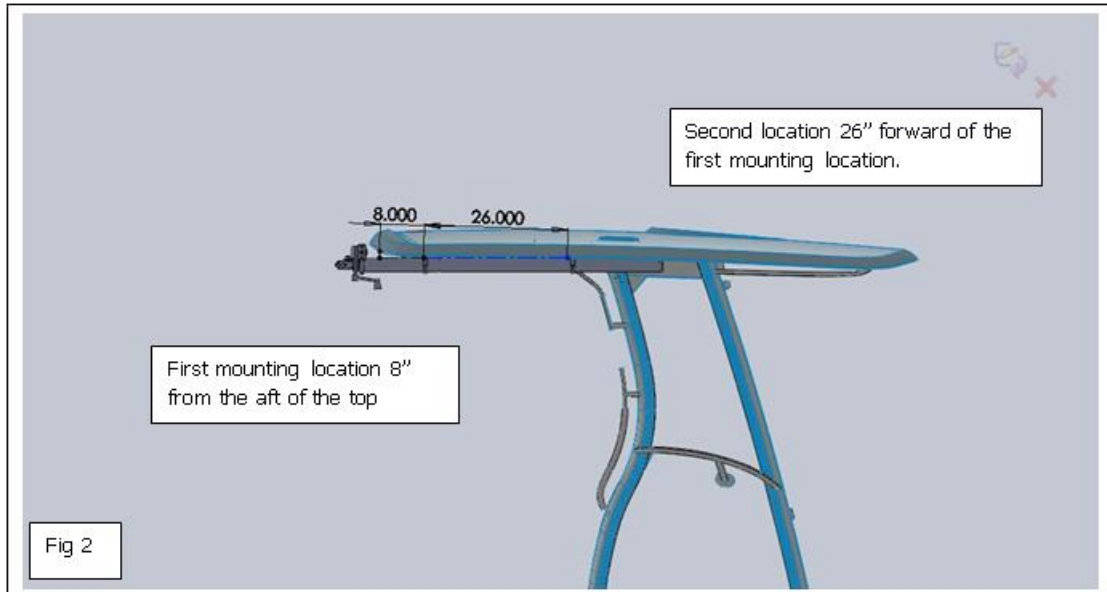


Underside Mounting – Standard Clamps

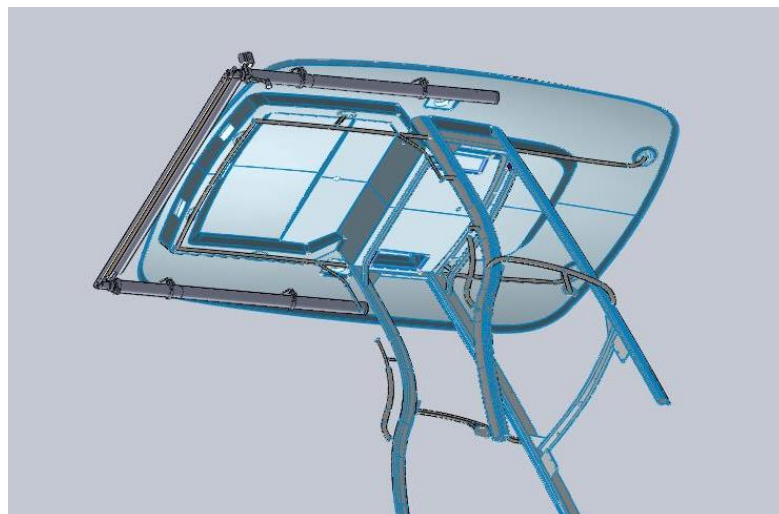
Position and secure mounting clamps and actuators into place.

1. Mark the hole locations for the mounting clamps, position and secure mounting clamps and actuators into place.

NOTE – the actuators must be aligned (parallel) to ensure proper functioning of the shade system.



2. For each location, mark the bolt hole locations. Drill through the top structure with a 3/8 drill bit and thru-bolt the actuator in place using the 5/16 screws provided along with the backing plates. Use loctite with the thru bolts.
3. Secure the actuators to the mounting clamps. Keep in mind to position the actuator so that the handle, gearbox, and roller do not interfere with anything on the top structure.



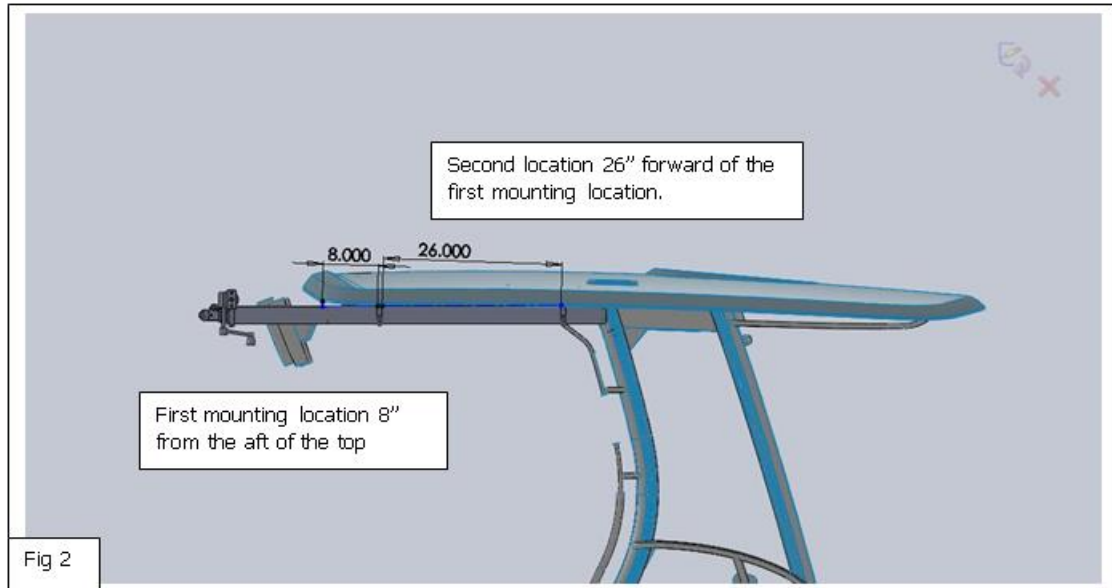


Underside Mounting – Rod Holders

Position and secure mounting clamps and actuators into place.

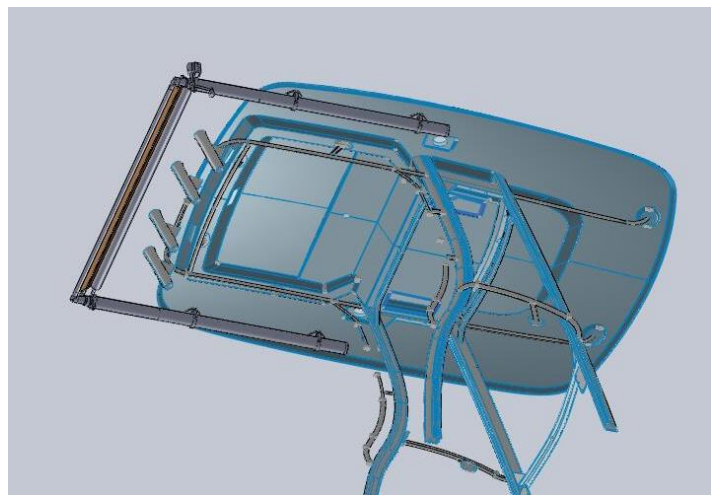
1. Mark the hole locations for the mounting clamps, position and secure mounting clamps and actuators into place.

NOTE – the actuators must be aligned (parallel) to ensure proper functioning of the shade system.



2. For each location, mark the bolt hole locations. Drill through the top structure with a 3/8 drill bit and thru-bolt the actuator in place using the 5/16 screws provided along with the backing plates. Use Loctite with the thru bolts.
3. Secure the actuators to the mounting clamps. Keep in mind to position the actuator so that the handle, gearbox, and roller do not interfere with anything on the top structure.

4. Position to provide access to rod holders as needed.





Underside Mounting – Radar Arch

Position and secure mounting clamps and actuators into place.

1. Line up the two (2) mounting clamps on the underside of the arch to determine the position of both actuators (Fig 1) and mark the position of the mounting plates and mounting hole locations on the underside of the radar arch. For a fiberglass arch we recommend using a piece of rubber between the mounting plate (NOT SUPPLIED BY SURESHADE).

NOTE – the actuators must be aligned (parallel) to ensure proper functioning of the shade system.

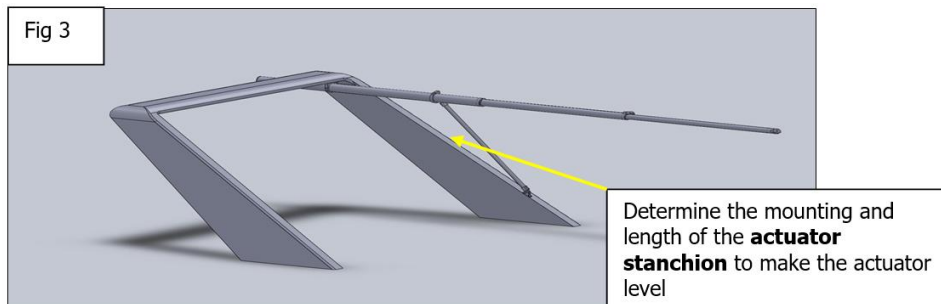


NOTE: THE ACTUATOR AND LATERAL STANCHION TUBING IS NOT CUT TO LENGTH. THEY WILL HAVE TO BE CUT TO LENGTH BY THE INSTALLER.

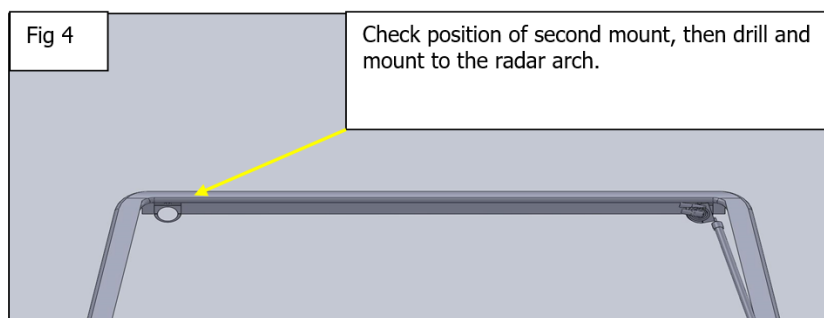


Underside Mounting – Radar Arch (continued)

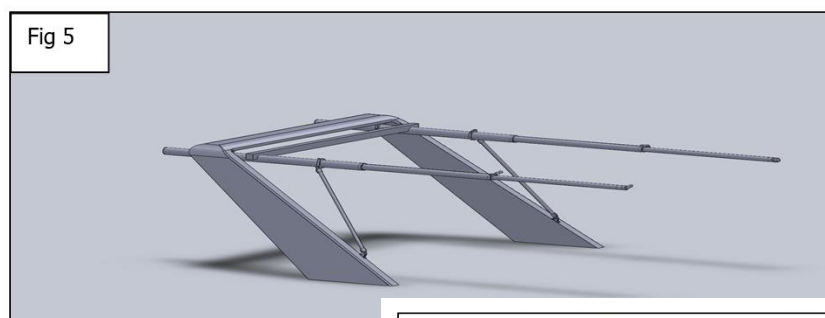
2. Position one end of the actuator into the mounting clamp and have someone support the other end of the actuator until you have determined the mounting location and the length of the actuator stanchion to make the actuator level (Fig 3).



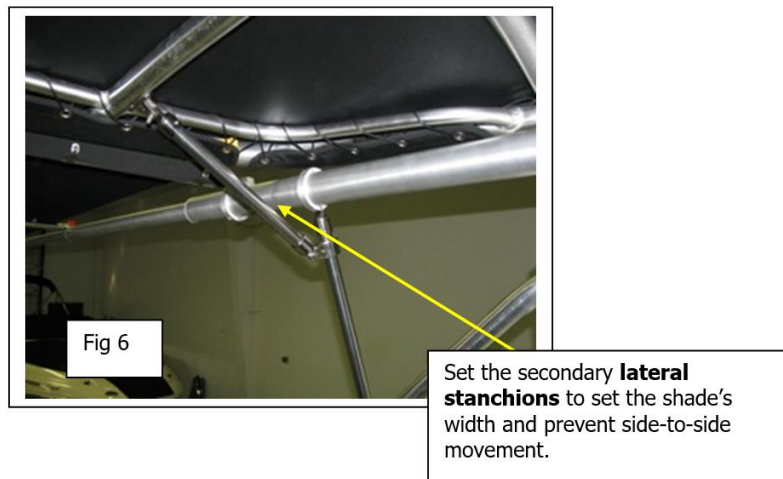
3. Double check the second mounting plate location (Fig 4). Drill and mount second mounting plate to the radar arch.



4. Position one end of the second actuator into the mounting clamp and have someone support the other end of the actuator until you have determined the mounting location and the length of the **actuator stanchion** to make the second actuator level (Fig 5).



5. With the spacer positioned in the area of the actuator stanchions (shown in Fig 5 above), next tie in the actuator stanchions with the lateral support stanchion to the boat's stationary top to set the width of the SureShade and prevent the SureShade from side-to-side movement (Fig 6).



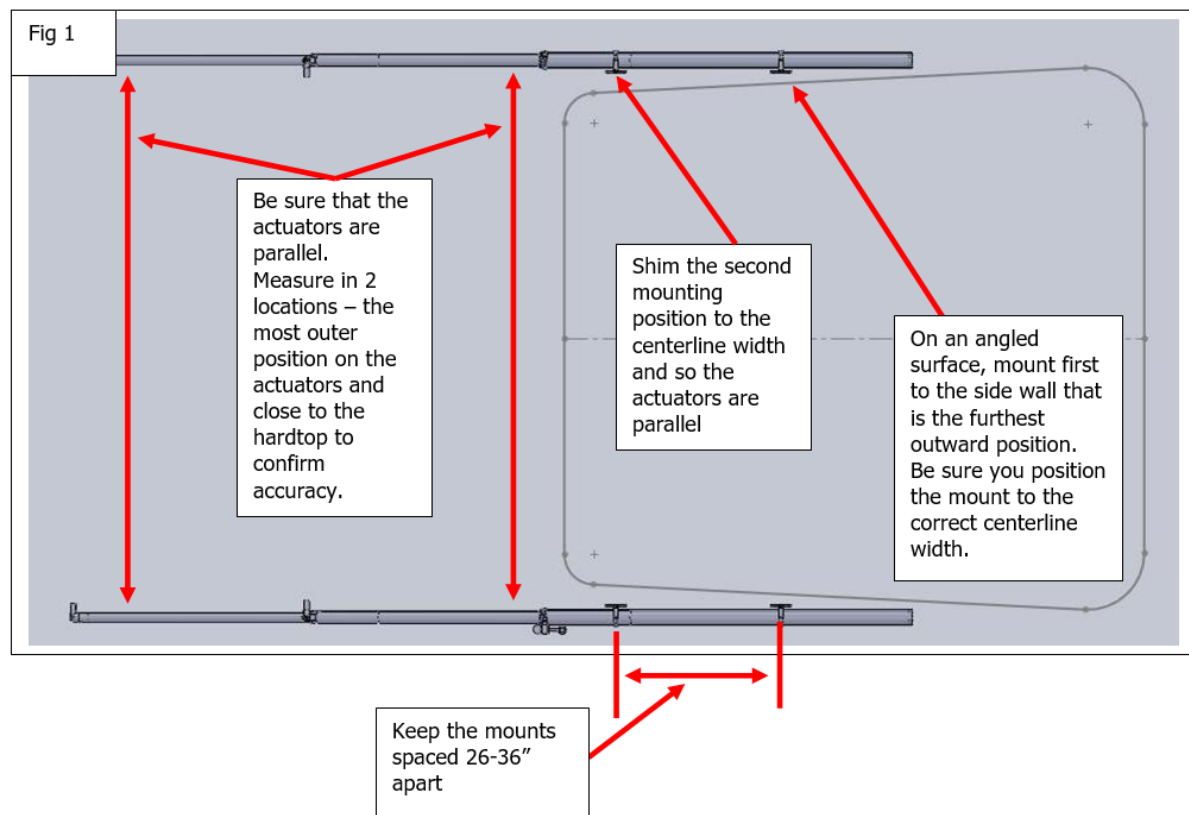


Side Mounting

Position and secure mounting clamps and actuators into place.

1. Mark the hole locations for the mounting clamps, position and secure mounting clamps and actuators into place.

NOTE – the actuators must be aligned (parallel) to ensure proper functioning of the shade system.



2. For each location, mark the bolt hole locations. Drill through the top structure with a 3/8 drill bit and thru-bolt the actuator in place using the 5/16 screws provided along with the backing plates. Use Loctite with the thru bolts.
3. Secure the actuators to the mounting clamps. Keep in mind to position the actuator so that the handle, gearbox, and roller do not interfere with anything on the top structure.



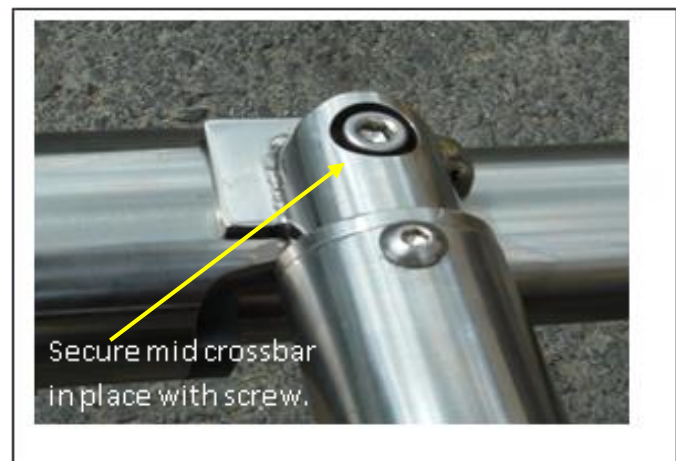
Attach the Crossbars

With the actuators installed, you can reattach the roller and crossbars.



Secure the mid-crossbar in place

Slide mid-section crossbar onto actuators and secure in place.

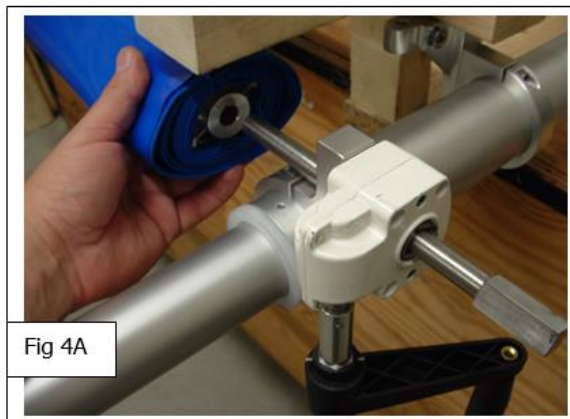




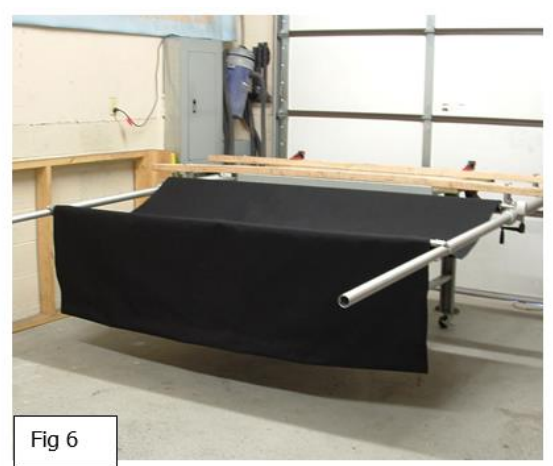
Secure the Roller Assembly

Secure the roller assembly in place.

Hold the roller in position so you can slide the roller shafts (port and starboard) into the roller (Fig 5 & 5A). Note: Position the roller so that the canvas unrolls from the top of the roller (Fig 6). Do not secure roller to the shafts just yet.



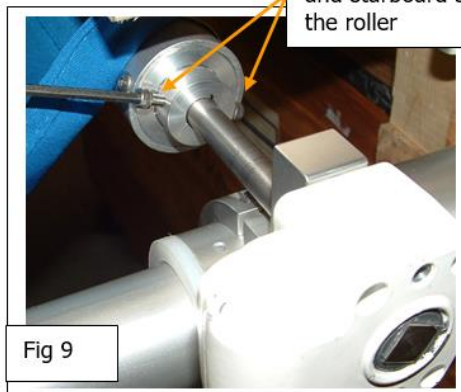
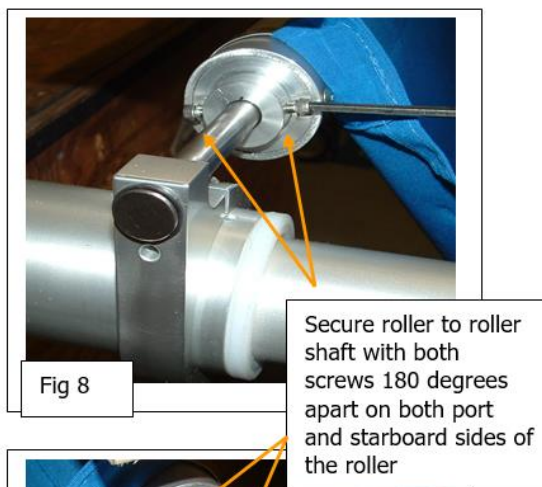
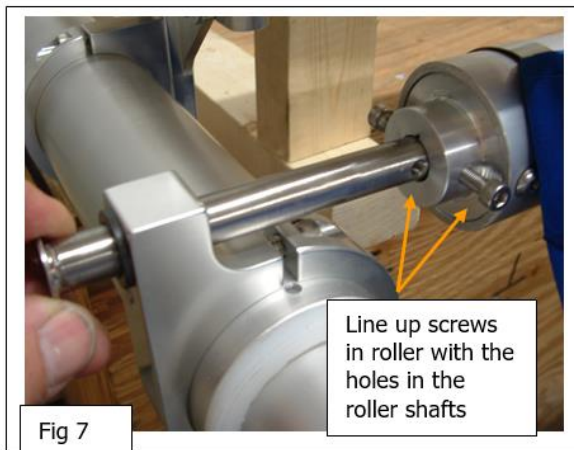
Unroll the canvas from the roller (Fig 5) and let the canvas hang over the mid crossbar (Fig 6)





Secure the Roller Assembly (continued)

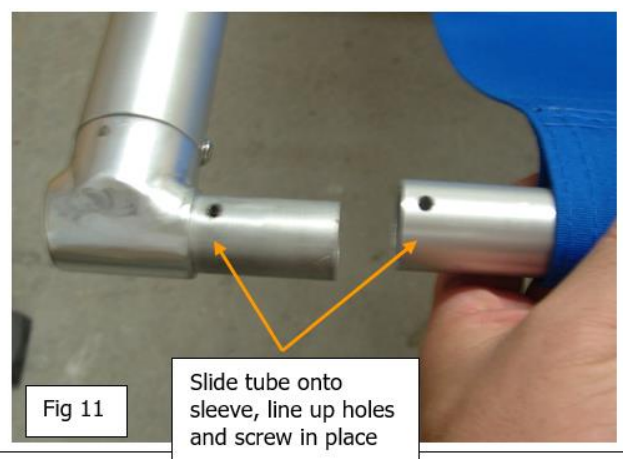
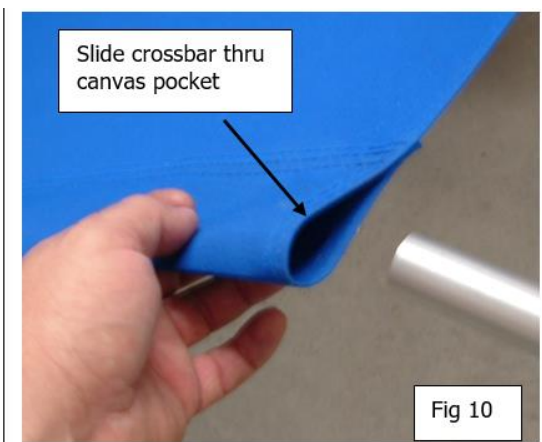
Line up the screw holes and secure the roller to the roller shafts on both port and starboard sides of the roller (Fig 7, 8 & 9).



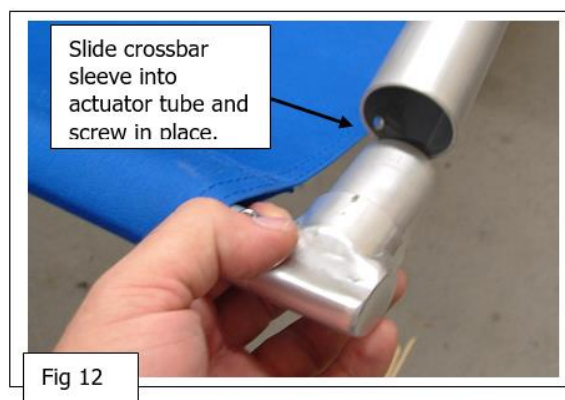


Secure the Outer Crossbars and Canvas

Slide the outer crossbar thru the canvas pocket (Fig 10) and slide the crossbar tube onto the sleeve and fasten in place with the screw (Fig 11).



Slide the other end of the crossbar into the actuator tube and secure in place (Fig 13).





Shade Operation

To extend the MTF shade, simply crank the hand lever to extend canvas fully.

To retract the MTF shade, simply crank the hand lever in the opposite direction until the canvas is full retracted to the boat top.



Important Maintenance Warning: The actuators are **spring-loaded**. This means that when in the retracted position, the actuators are under constant pressure to extend the framework forward. Controlled operation of the unit is dependent on the canvas, roller and gearbox components. The roller and gearbox are of robust design; however canvas material and stitching can deteriorate, rip, or break over time which could result in an uncontrolled extended movement of the framework. It is important to conduct visual inspections of the canvas and stitching and to replace or repair canvas when necessary. When removing canvas from the framework, the **framework must be in the extended position**.

**If there are any questions, please call us at 1-877-333-8323,
or international 1-215-673-2307**



Care & Maintenance

SureShade recommends following basic care and maintenance of SureShade shade components to maintain peak performance and prolong the life of your sunshade system.

REGULAR CLEANING

We recommend using the cleaning product Nevr-Dull® Magic Wadding Polish for cleaning SureShade system components. Petroleum-based cleaners and abrasive metal cleaners should not be used.

To clean and polish, extend the shade fully and wipe down all components using the Nevr-Dull polish. Then, use a rag to wipe off any excess and polish the tubes.

Clean the shades no less than every other month and perhaps more frequently in saltwater areas and areas with higher-than-average temperatures (e.g., southwest Florida or the Caribbean).

CANVAS

NOTICE: SureShade does not recommend removing canvas from the roller system, as it may be difficult to properly reinstall or may result in damage to the rollers. Under no circumstances should the canvas supplied with any SureShade system ever be placed in a washing machine.

SureShade sunshade systems use Sunbrella® fabrics for canvas, and we recommend following Sunbrella's basic canvas care and cleaning instructions to prolong the life of the canvas.

Basic canvas care includes:

- General, light cleaning with a hose on a monthly basis with clear water to remove debris.
- A thorough cleaning every 2-3 years, which may include fabric guard and/or mildew treatments.
- Conduct an annual inspection of your canvas to ensure that all threading is intact.
- A pull test on the thread to confirm that threading has not become dry-rotted from the elements.

LONG-TERM STORAGE

SureShade sunshade systems are built with quality marine-grade construction and materials; however, just like other parts of your boat, SureShade canvas systems need to be shielded from snow and other harsh winter weather conditions to protect the canvas and mechanical components.

SureShade recommends that customers take proper precautions to avoid damage during winter storage (or ground transportation for winter storage), which include fully retracting and securing the SureShade sunshade system and properly tarping or shrink-wrapping your boat.

Many boaters transport their boats to a storage location or a warmer climate during the winter months. To ensure that the SureShade system is properly transported and to avoid potential damage, visit www.sureshade.com/sureshade-groundtransportation-guide/.



SURESHADE

EXTENDING THE EXPERIENCE

A Lippert Components Company 

© Copyright 2020 Lippert Components, Inc. dba SureShade®

Manual information may be distributed as a complete document only, unless Lippert Components provides explicit consent to distribute individual parts. All manual information is subject to change without notice. Revised editions will be available for free download at lci1.com. Manual information is considered factual until made obsolete by a revised version. Please recycle all obsolete materials.

For all concerns or questions, please contact SureShade, a Lippert Components Company
Ph: (877) 333-8323 | Web: sureshade.com | Email: service@sureshade.com

CCD-0009259 REV. 08.08.24