

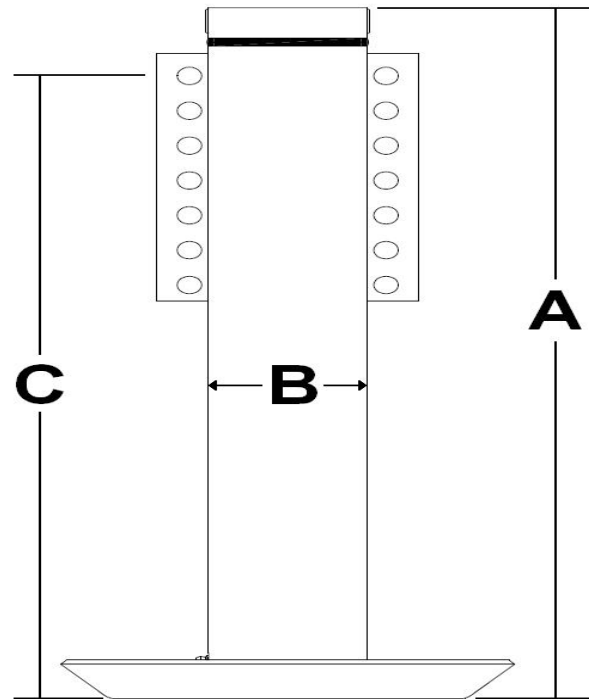
POWER GEAR INTERNAL SPRING JACK ASSEMBLIES

CAP	POWER GEAR #	REPLACED BY	LIPPERT #	DIMENSIONS (IN INCHES)			SEAL KIT #	LIPPERT #	NOTES
24K	500386T	OBSOLETE		A=22.37	B=4.5	C=20.09	OBSOLETE		
24K	500620	OBSOLETE		A=22.375	B=4.5	C=22.37	OBSOLETE		HAS MOUNTING PAD WIDTH OF 7.25
16K	501136		359348	A=22.37	B=4.0	C=13.25	800131S	359463	4 BOLT MOUNTING PATTERN
16K	501137		359347	A=22.37	B=4.0	C=18.94	800131S	359463	4 BOLT MOUNTING PATTERN
24K	500386*	OBSOLETE		A=22.37	B=4.5	C=20.09	OBSOLETE		
16K	501298		359337	A=22.37	B=4.0	C=13.25	800131S	359463	4 BOLT MOUNTING PATTERN/HAS 8" SHOE INSTEAD OF 10"
16K	501299	OBSOLETE		A=22.37	B=4.0	C=18.94	800131S	359463	4 BOLT MOUNTING PATTERN/HAS 8" SHOE INSTEAD OF 10"
12K	500385TH		359495	A=22.37	B=3.63	C=20.11	800137S	359460	
12K	500385*	500385TH	359495	A=22.25	B=3.625	C=20.11	800137S	359460	
16K	500070*	500070TH	359050	A=22.25	B=4.0	C=21.42	800131S	359463	
16K	500070TH		359050	A=22.37	B=4.0	C=20.09	800131S	359463	
16K	500145	OBSOLETE		A=22.25	B=4.0	C=21.42	800131S	359463	

Measurements A and C are taken with jack completely retracted

** Information regarding seal kit replacement can be found in the seal kit manual number 82-L0352

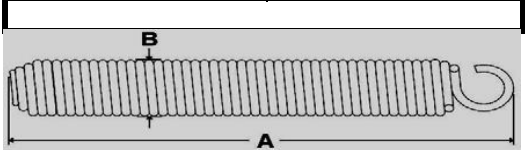
Spring return jacks will only have one hydraulic hose attached to one of the two ports on top of jack



EXTERNAL SPRING JACK ASSEMBLIES

CAP	POWER GEAR #	REPLACED BY	LIPPERT #	DIMENSIONS (IN INCHES)				PORT SIZE	SEAL KIT #	LIPPERT #	SPRING #	LIPPERT #	NOTES
6K	500384*	501022	359359	A=21.25	B=2.625	C=17.61	D=19.08	#6	NO KIT		500590	359413	501022 Kit contains 1 500084HR jack and 2 hose fittings
6K	500384H*	501022	359359	A=21.25	B=2.625	C=17.61	D=19.08	#6	800132S	359462	500590	359413	501022 Kit contains 1 500084HR jack and 2 hose fittings
6K	500598*	501022	359359	A=21.25	B=2.625	C=18.17	D=19.08	#6	NO KIT		500590	359413	501022 Kit contains 1 500084HR jack and 2 hose fittings
6K	500384HR		359394	A=20.85	B=2.625	C=17.61	D=19.59	#4	800132S	359462	500590	359413	
9K	500082	500146	359497	A=20.75	B=3.25	C=17.38	D=18.71	#6	800129S	359465	500094	359434	500146 Kit contains 1 500082HR jack and 2 hose fittings
9K	500082H*	500146	359497	A=20.75	B=3.25	C=17.38	D=18.71	#6	800129S	359465	500094	359434	500146 Kit contains 1 500082HR jack and 2 hose fittings
9K	500082HR		359384	A=20.33	B=3.25	C=17.38	D=19.21	#4	800129S	359465	500094	359434	
9K	500272*	OBSOLETE	OBSOLETE	A=20.75	B=3.25	C=17.82	D=18.83	#6	800129S	359465	500094	359434	
9K	500759		359394	A=20.40	B=2.6	C=17.6	D=19.08	#4	800138S	359459	500094	359434	
12K	501315		359334	A=20.33	B=3.25	C=17.19	D=19.33	#6	800199S	359458	500094	359434	
12K	500800		359384	A=20.40	B=3.25	C=17.25	D=19.21	#4	800199S	359458	500094	359434	
6K	500730		359404	A=19.15	B=2.25	C=16.43	D=8.0	#4	800133S	359461	500591	359412	
9K	500235*	500235H	359496	A=18.25	B=3.25	C=17.38	D=15.83	#6	800129S	359465	500252	359430	
9K	500235H		359496	A=18.19	B=3.25	C=17.38	D=15.83	#6	800129S	359465	500252	359430	
6K	500600*	OBSOLETE	OBSOLETE	A=18.0	B=2.625	C=15.63	D=14.73	#6	NO KIT		500591	359412	Flat shoe
6K	500482*	OBSOLETE	OBSOLETE	A=18.0	B=2.625	C=15.38	D=14.73	#6	NO KIT		500591	359412	
6K	500482H	OBSOLETE	OBSOLETE	A=18.0	B=2.625	C=15.38	D=14.73	#6	800132S	359462	500591	359412	
9K	500498	OBSOLETE	OBSOLETE	A=17.75	B=3.25	C=15.0	D=15.83	#6	800129S	359465	500252	359430	
9K	500498H	OBSOLETE	OBSOLETE	A=17.75	B=3.25	C=15.0	D=15.83	#6	800129S	359465	500252	359430	

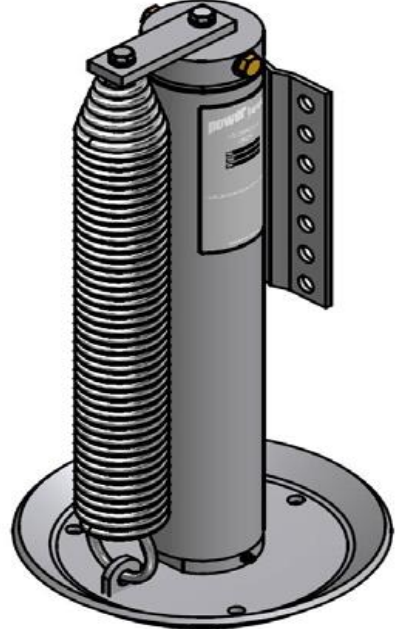
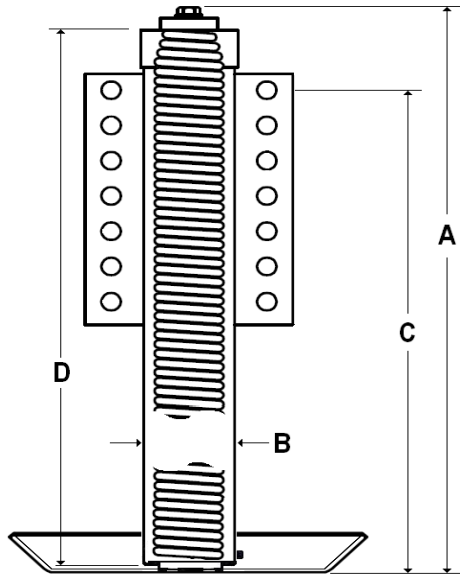
SPRING REPLACEMENT KITS	
Spring kit #	
500094	A=17" x B=2.5"
500252	A=14.55" x B=2.5"
500590	A=17" x B=2.3"
500591	A=14.55" x B=2.3"



** Information regarding seal kit replacement can be found in the seal kit manual number 82-L0352

Measurements A and C are taken with jack completely retracted

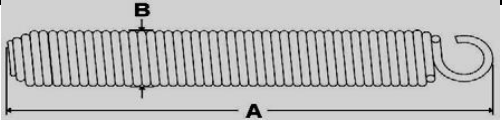
Spring return jacks will only have one hydraulic hose attached to one of the two ports on top of jack



POWER LEVEL (EXTERNAL SPRING) JACK ASSEMBLIES

CAP	POWER GEAR #	REPLACED BY	LIPPERT #	DIMENSIONS (IN INCHES)					SEAL KIT #	LIPPERT #	SPRING #	LIPPERT #	NOTES
9K	500932		359364	A=25.3	B=2.6	C=24.4	D=14.3	E=5.0	800138S	359459	500094	359434	
12K	501005	OBSOLETE		A=24.26	B=3.25	C=23.26	D=16.0	E=5.0	800199S	359458	500094	359434	
9K	501004*	OBSOLETE		A=24.25	B=2.625	C=23.25	D=16.0	E=3.4	800138S	359459	500094	359434	
6K	500832		359378	A=23.25	B=2.25	C=22.3	D=14.31	E=5.0	800133S	359461	500591	359412	
9K	500833		359377	A=23.15	B=2.6	C=22.2	D=14.3	E=3.0	800138S	359459	500094	359434	
12K	501106	OBSOLETE		A=22.56	B=3.25	C=21.70	D=14.31	E=3.0	NO KIT		500094	359434	
6K	501173		354507	A=21.44	B=2.25	C=16.81	D=12.3	E=3.2	800133S	359461	500591	359412	
9K	500843		359375	A=21.15	B=2.6	C=20.2	D=14.3	E=1.0	800138S	359459	500094	359434	
6K	500842		359376	A=20.4	B=2.25	C=19.5	D=14.3	E=2.5	800133S	359461	500591	359412	
12K	3510000111		359170	A=20.21	B=19.27	C=20.26	D=14.31	E=1.5	800199S	359458	500094	359434	
6K	500933		359363	A=19.75	B=2.25	C=17.75	D=12.3	E=1.5	800133S	359461	500591	359412	
6K	500876		359372	A=18.94	B=2.25	C=17.0	D=12.3	E=.5	800133S	359461	500591	359412	

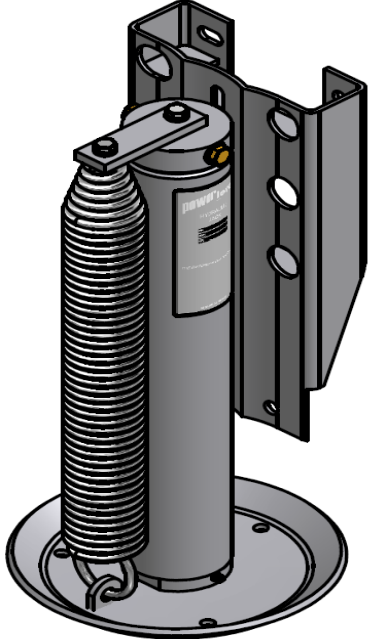
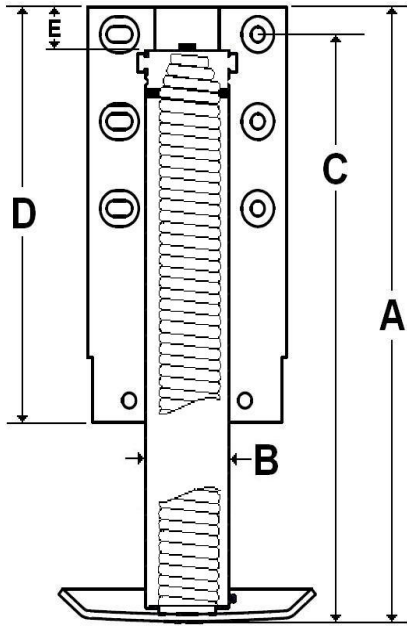
SPRING REPLACEMENT KITS	
Spring kit #	
500094	A=17" x B=2.5"
500252	A=14.55" x B=2.5"
500590	A=17" x B=2.3"
500591	A=14.55" x B=2.3"



Measurements A, C, D, and E are taken with jack completely retracted

** Information regarding seal kit replacement can be found in the seal kit manual number 82-L0352

Spring return jacks will only have one hydraulic hose attached to one of the two ports on top of jack



POWER GEAR ELECTRIC LEVELING JACK ASSEMBLIES

CAP	POWER GEAR #	REPLACED BY	LIPPERT #	DESCRIPTION	"A" MEAS.	MOTOR REPLACEMENT #	LIPPERT #	NOTES:
9K	101000051		383759	ELEC ASM 9K 15" STROKE	28"	1010001019 RH	386211	SQUARE SHOE
9K	1010000140		383770	ELEC ASM 15 22 F SQ 8 NONE YES	28"	1010001018 LH	386198	SQUARE SHOE
12K	1010000143		383778	ELEC ASM 13 22 F RD 10 NONE YES	25.5"	1010001018 LH	386198	ROUND SHOE
12K	1010000144		383786	ELEC ASM 13 22 F RD 10 NONE YES	25.5"	1010001019 RH	386211	ROUND SHOE
9K	501336		383501	ASSY LH SHRT EJ LEG	25.4"	1010001019 RH	386211	NATIONAL RV
9K	501337		383548	ASSY RH SHRT EJ LEG	25.4"	1010001018 LH	386198	NATIONAL RV
6K	1010000893	1010000139	383768	LEG ELEC LV ASM 12" 20.9 F SQ 8.3 FLAT HALL INT	24.6"	1010001018 LH	386198	SQUARE SHOE
6K	1010000892	501473	383572	LEG ELEC LV ASM 12" 20.9 F SQ 8.3 FLAT HALL INT	24.6"	1010001019 RH	386211	SQUARE SHOE
9K	501473		383572	ELEC ASM COMPLETE 13" STROKE RIGHT	24.6"	1010001019 RH	386211	SQUARE SHOE
9K	1010000141		383772	ELEC ASM 13.22 F RD 10 NONE YES	24.6"	1010001018 LH	386198	ROUND SHOE
9K	1010000142		383777	ELEC LV ASM COMPLETE 13" STROKE RIGHT	24.6"	1010001019 RH	386211	ROUND SHOE
6K	1010000902		383796	ELEC LV ASM 12" 20.9 F SQ 8.3 FLAT HALL EXT	24.6"	1010001018 LH	386198	NATIONAL RV
6K	1010000901		383787	ELEC LV ASM 12 20.9 F SQ 8.3 FLAT HALL EXT	24.6"	1010001019 RH	386211	NATIONAL RV
9K	1010000139		383768	ELEC LV ASM COMPLETE 13" STROKE LEFT	24.6"	1010001018 LH	386198	SQUARE SHOE

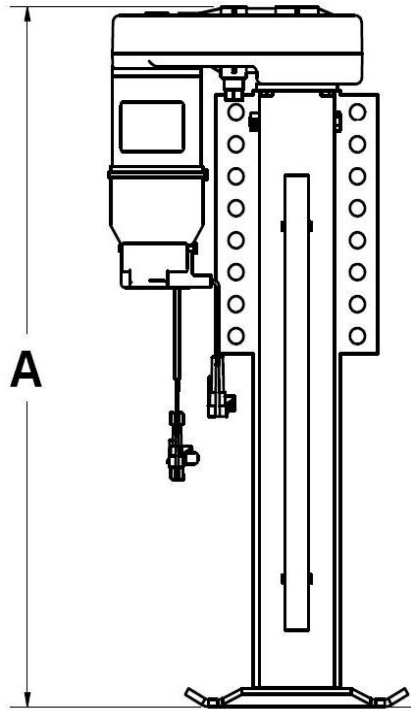
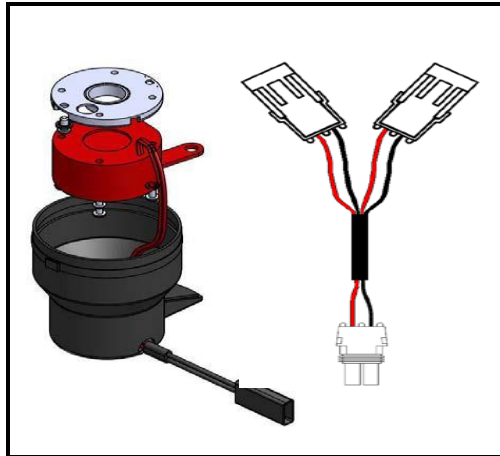


Illustration shows a typical RIGHT HAND jack assembly

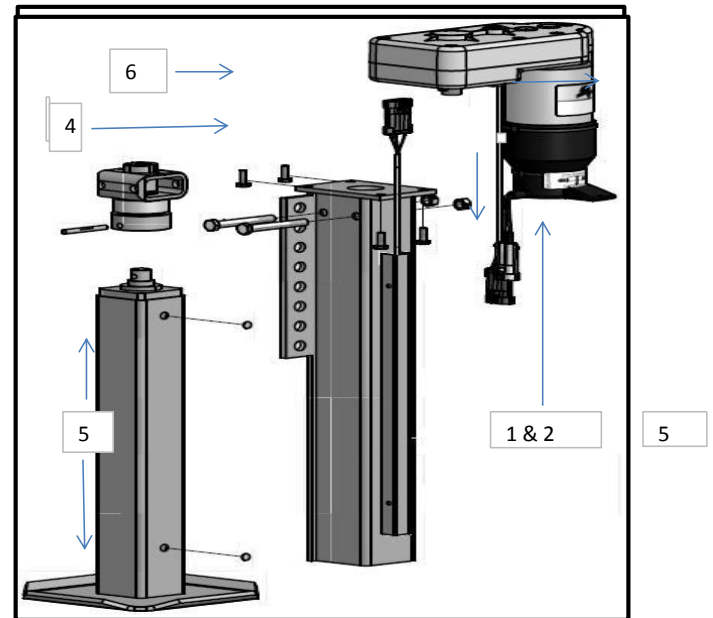
"A" measurement is taken with jack retracted

1. BRAKE REPLACEMENT KIT



ITEM #	PART #	LIPPERT #
1	Brake replacement kit	1010001289 386323
2	Boot/clamp replacement	1010001232 386755
3	Shear pin replacement kit	1010001889 386686
4	Hall effect sensor	140-1244 383490
5	Magnet	990-1115 383500
6	Motor replacement kit	SEE CHART

**IDENTIFYING MOTOR: WITH SENSOR TUBE FACING FORWARD - IF MOTOR FACES LEFT IT IS A RIGHT HAND AND IF MOTOR FACES RIGHT IT IS A LEFT HAND.

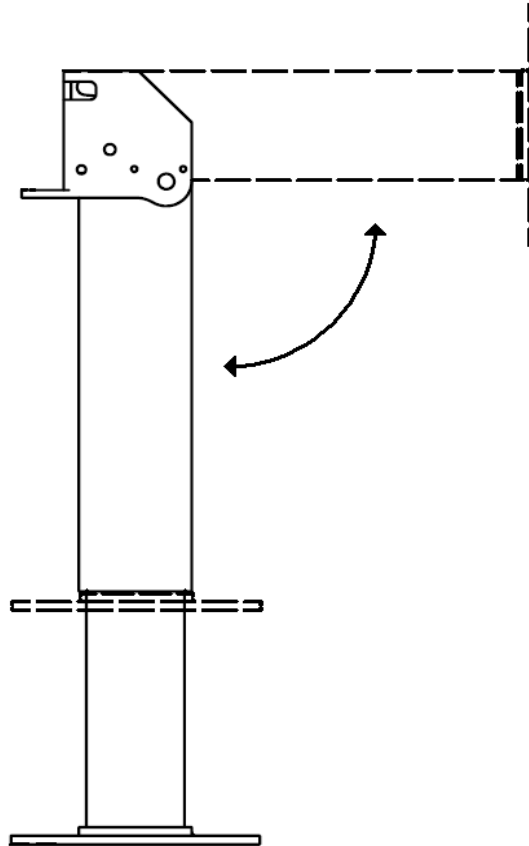


POWER GEAR CLASS C KICKDOWN JACK ASSEMBLY

POWER GEAR PART #	LIPPERT PART #	DECRPTION	NOTES
9010000147	OBSOLETE	Power Gear Class C Kickdown Jack Assy	

Note:
 Power up/Power down (PU/PD) jacks will have two hydraulic hoses. One attached to one of the two ports on top of the cylinder and one attached to one of the two ports near the bottom of the cylinder.

**CUSTOMER
 NEEDS TO CALL
 CUSTOM
 CYLINDER AT
 800-779-5544**

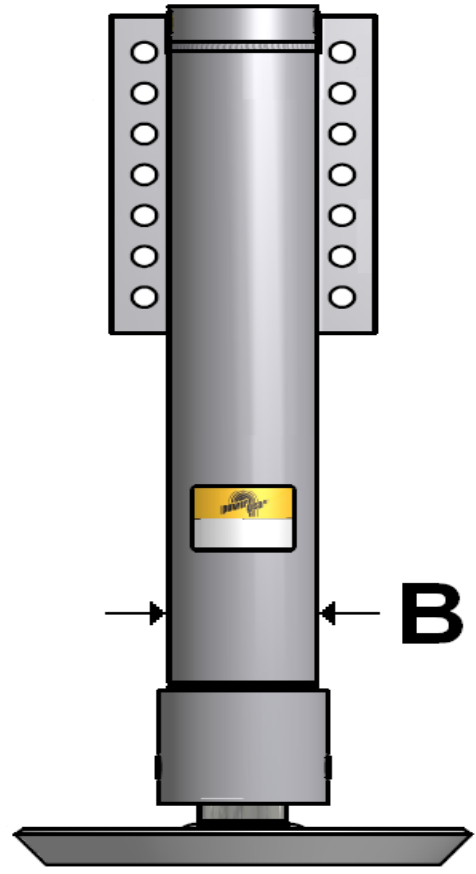


POWER GEAR CLASS C KICKDOWN ASSEMBLY

POWER GEAR JACK ASSEMBLY PU/PD

POWER GEAR PART #	LIPPERT PART #	DECRPTION	B MEASUREMENT
501095	359352	POWER GEAR JACK 3" BORE 18" STROKE ASSY	3.38
501096	359351	POWER GEAR JACK 3.5" BORE 18" STROKE ASSY	3.87

Note:
 Power up/Power down (PU/PD) jacks will have two hydraulic hoses. One attached to one of the two ports on top of the cylinder and one attached to one of the two ports near the bottom of the cylinder.

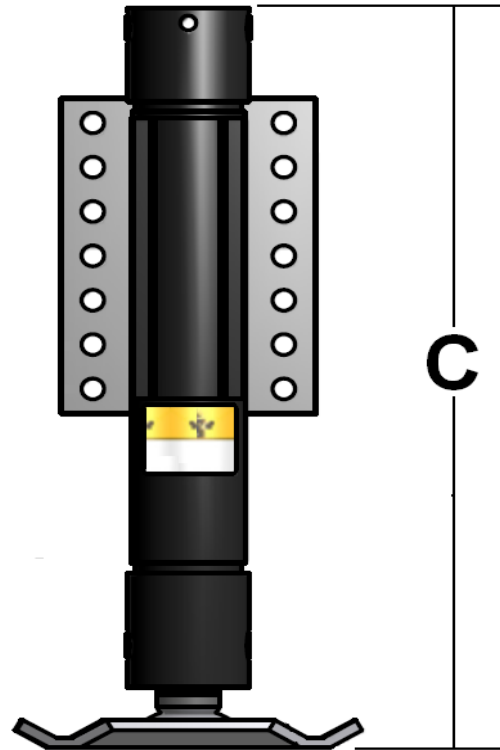


POWER GEAR PU/PD JACK ASSEMBLY

POWER GEAR CLASS C JACK ASSEMBLY PU/PD

POWER GEAR PART #	LIPPERT PART #	DECRPTION	C MEASUREMENT
501033	359336	POWER GEAR CLASS C JACK ASSEMBLY ALUM 14" STROKE	18.76
501304	359335	POWER GEAR CLASS C JACK ASSEMBLY ALUM 11" STROKE	15.75

Note:
Power up/Power down (PU/PD) jacks will have two hydraulic hoses. One attached to one of the two ports on top of the cylinder and one attached to one of the two ports near the bottom of the cylinder.

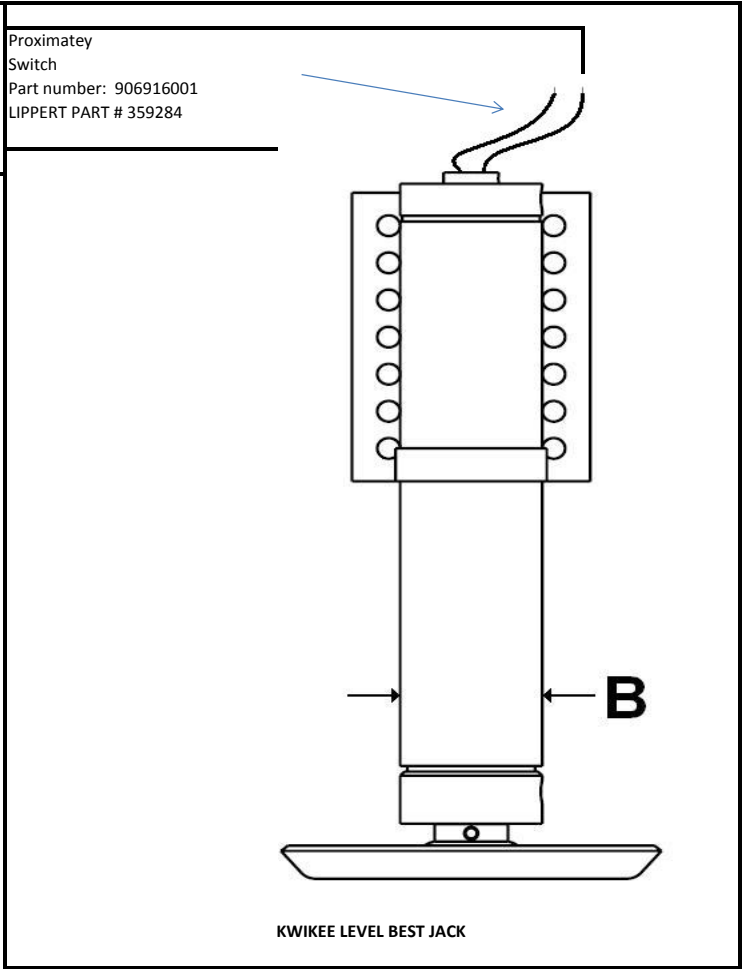


POWER GEAR CLASS C JACK

KWIKEE LEVEL BEST JACK ASSEMBLY PU/PD

POWER GEAR PART #	LIPPERT PART #	DECRPTION	B MEASUREMENT
3700710	359275	LEVEL BEST JACK ASSY 15" STROKE 17K ATLAS	3.87
3700700	359278	LEVEL BEST JACK ASSY 15" STROKE 10K ATLAS	3.38
3700702	359278	LEVEL BEST JACK ASSY 15" STROKE 10K FRONT ATLAS	3.38

Note:
 Power up/Power down (PU/PD) jacks will have two hydraulic hoses. One attached to one of the two ports on top of the cylinder and one attached to one of the two ports near the bottom of the cylinder.

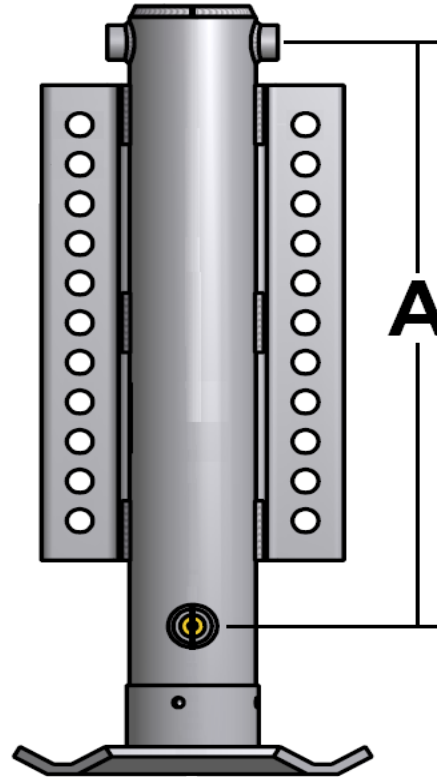


POWER GEAR CLASS C JACK ASSEMBLY PU/PD

POWER GEAR PART #	LIPPERT PART #	DECIPTION	A MEASUREMENT
DN12581	OBSOLETE	DEWALD CYL LEV ASSY 2.5" BORE	14.74
DN12989	OBSOLETE	DEWALD CYL LEV ASSY 3.0" BORE	17

Note:
 Power up/Power down (PU/PD) jacks will have two hydraulic hoses. One attached to one of the two ports on top of the cylinder and one attached to one of the two ports near the bottom of the cylinder.

**CUSTOMER NEEDS TO CALL
 CUSTOM CYLINDER AT 800-
 779-5544**



DEWALD JACK ASSEMBLY