

SLIDE-OUTS

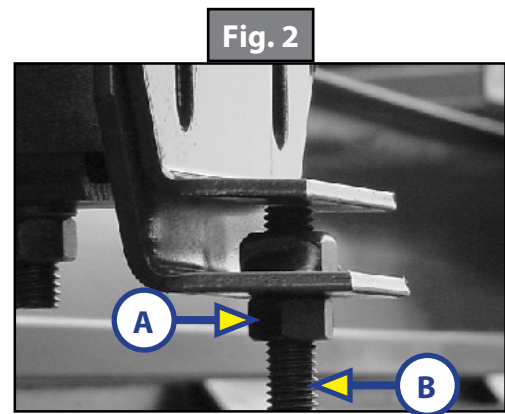
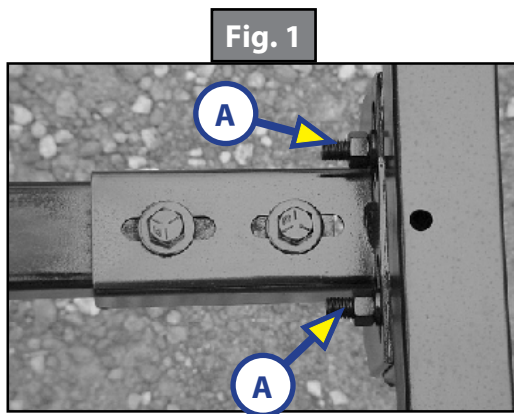
Vertical & Horizontal Room Adjustment

NOTE: All slide-out room adjustments **MUST** be performed by certified service technicians. Adjustments made by non-certified persons may void any and all warranty claims.

Horizontal Adjustment

1. Loosen 2 carriage bolts (Fig. 1A) on each bracket located at the end of each guide tube.
2. Room is ready to be positioned horizontally by pushing on the outside, sidewall or by using a prying device inserted into the opening between the room and coach.

NOTE: Use caution when using prying device so seals do not become damaged.



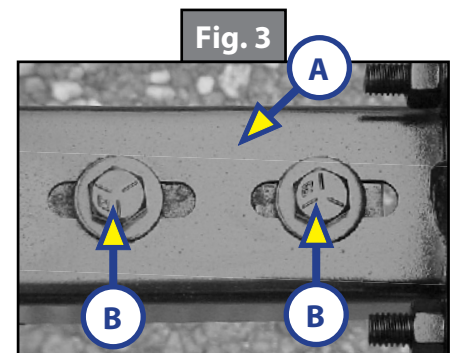
Vertical Adjustment

1. Loosen 2 carriage bolts (Fig. 1A) on each bracket located at the end of each guide tube.
2. Loosen jam nut (Fig. 2A).
3. For vertical adjustment, turn vertical adjustment bolt (Fig. 2B) up or down to locate room height. Once room height is located, tighten jam nut (Fig. 2A) and 2 carriage bolts (Fig. 1A).

Synchronizing Room Travel

The Lippert Hydraulic Slide-out System room travel (both sides of the room traveling the same distance) can be adjusted with a specially-designed synchronizing bracket mounted on the passive slide tube. The passive slide tube is the one that is not powered. The active slide tube is the one that has the cylinder attached. If one side of the room fails to seal, adjust as follows:

1. Extend the slide-out about halfway out.
2. Measure the active side from the "T"-molding on the slide-out back to the outside wall of the coach.
3. Then, measure the passive side in the same manner.
4. Loosen bolts (Fig. 3B) on top of the passive slide tube (Fig. 3A).
5. Push or pull room (on passive side) to align the passive side with the active side.
6. Tighten bolts (Fig. 3B) to secure the passive side position.
7. Retract room and run as normal.



SLIDE-OUTS

Adjusting room so it seals in the IN position

1. Locate cylinder coming through the frame.
2. Run room partially out.
3. Hold jam nut (Fig. 4A) in place with wrench.
4. Adjust Nylock nut (Fig. 4C) towards the bracket if the room does not seal. Adjust the Nylock nut (Fig. 4C) away from the bracket if the room is too tight and damages the fascia.

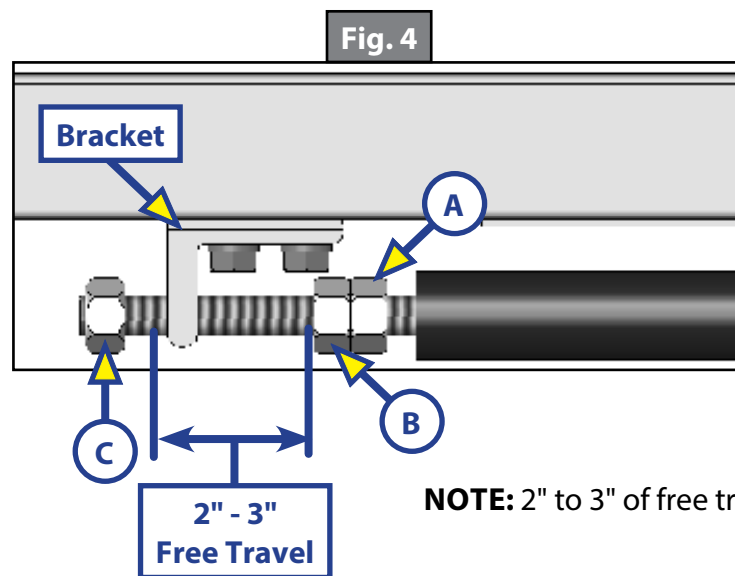
NOTE: Make small adjustments, running the room in after each adjustment until proper seal is achieved.

Adjusting room so it seals in the OUT position

1. Locate cylinder coming through the frame.
2. Extend room completely out.
3. Check the inside fascia and seal positioning.
4. Partially retract room.
5. Loosen and back off jam nut (Fig. 4A) from nut (Fig. 4B) to give nut (Fig. 4B) room for adjustment.
6. Adjust nut (Fig. 4B) away from the bracket if the room extends too far and damages the inside fascia. Adjust nut (Fig. 4B) towards the bracket if the room does not seal.

NOTE: Make small adjustments, running the room out after each adjustment until proper seal is achieved.

7. Tighten jam nut (Fig. 4A) to nut (Fig. 4B).



As a supplier of components to the RV industry, safety, education and customer satisfaction are our primary concerns. Should you have any questions, please do not hesitate to contact us at (574) 537-8900 or by email at customerservice@lci1.com. Self-help tips, technical documents, product videos and a training class schedule are available at lci1.com or by downloading the MyLCI app.